

# ALLEN & HEATH



## **WARNING – HIGH VOLTAGES**

Power Supply Unit (PSU) work should only be carried out by qualified personnel.

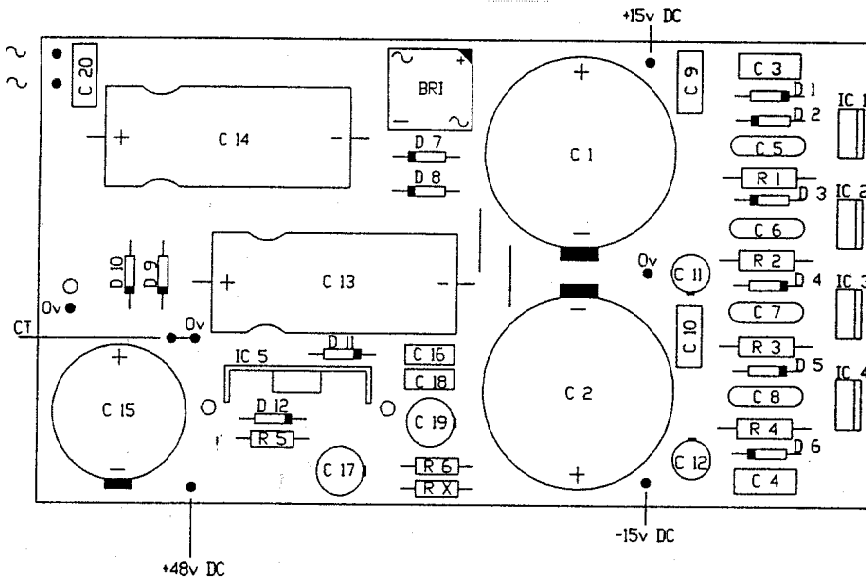
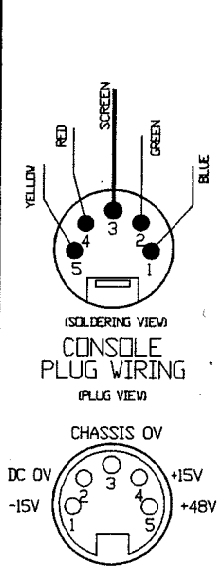
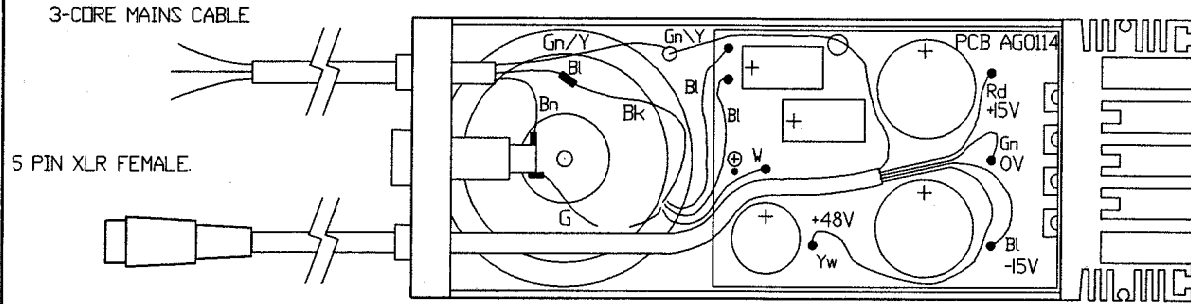
We recommend that you use an approved Allen & Heath service centre for all power supply work.

Please contact your local Allen & Heath distributor for more details.

<http://www.allen-heath.com/>

# DANGER - HIGH VOLTAGE !

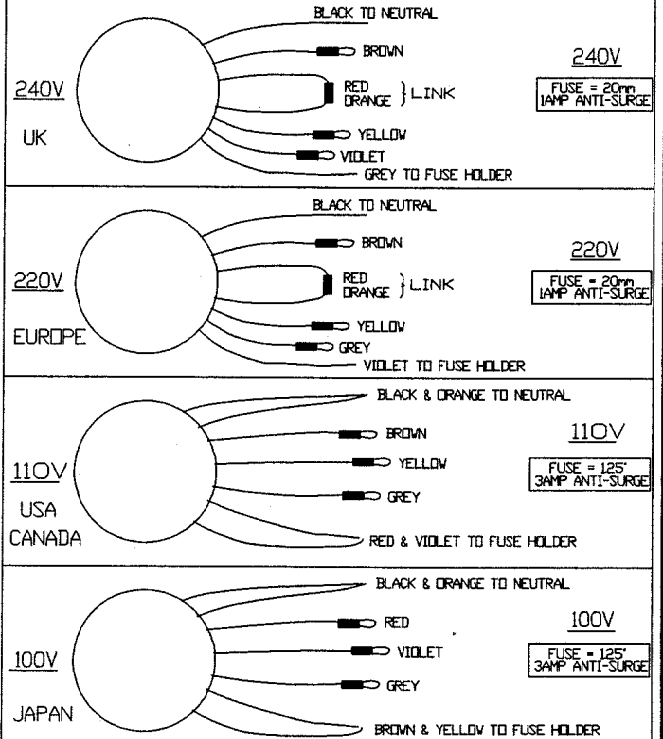
## DISCONNECT POWER BEFORE REMOVING COVER



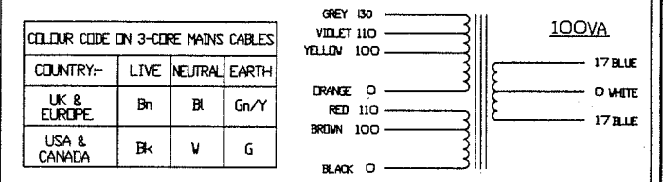
### MPS9G TRANSFORMER - MAINS WIRING

CAREFULLY CHECK CORRECT MAINS SELECTION / WIRING

—○— = SLEEVED & UNCONNECTED



#### TYPE 2053T



ISSUE	REVISION	BY	DATE
1	ORIGIN	AL/CD	29-9-92

DRAWING TITLE  
**MPS9G POWER SUPPLY**

ASSY CODE  
**ZS700-012**

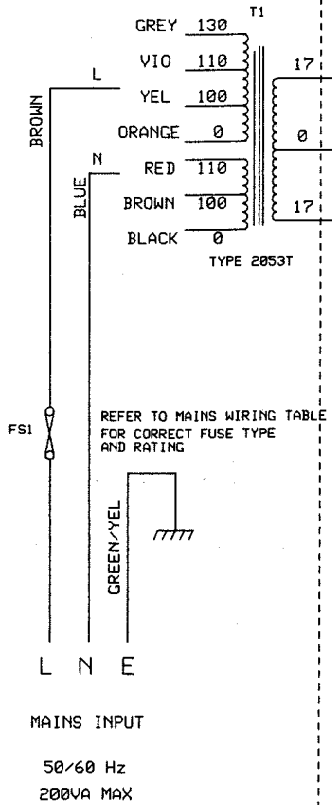
**ALLEN & HEATH** ALLEN & HEATH BRENNELL LTD.  
 DRAWING No. **D196** ISSUE **1**

**DANGER - HIGH VOLTAGE !**

DISCONNECT POWER BEFORE REMOVING COVER  
REFER SERVICE WORK TO QUALIFIED SERVICE PERSONNEL ONLY

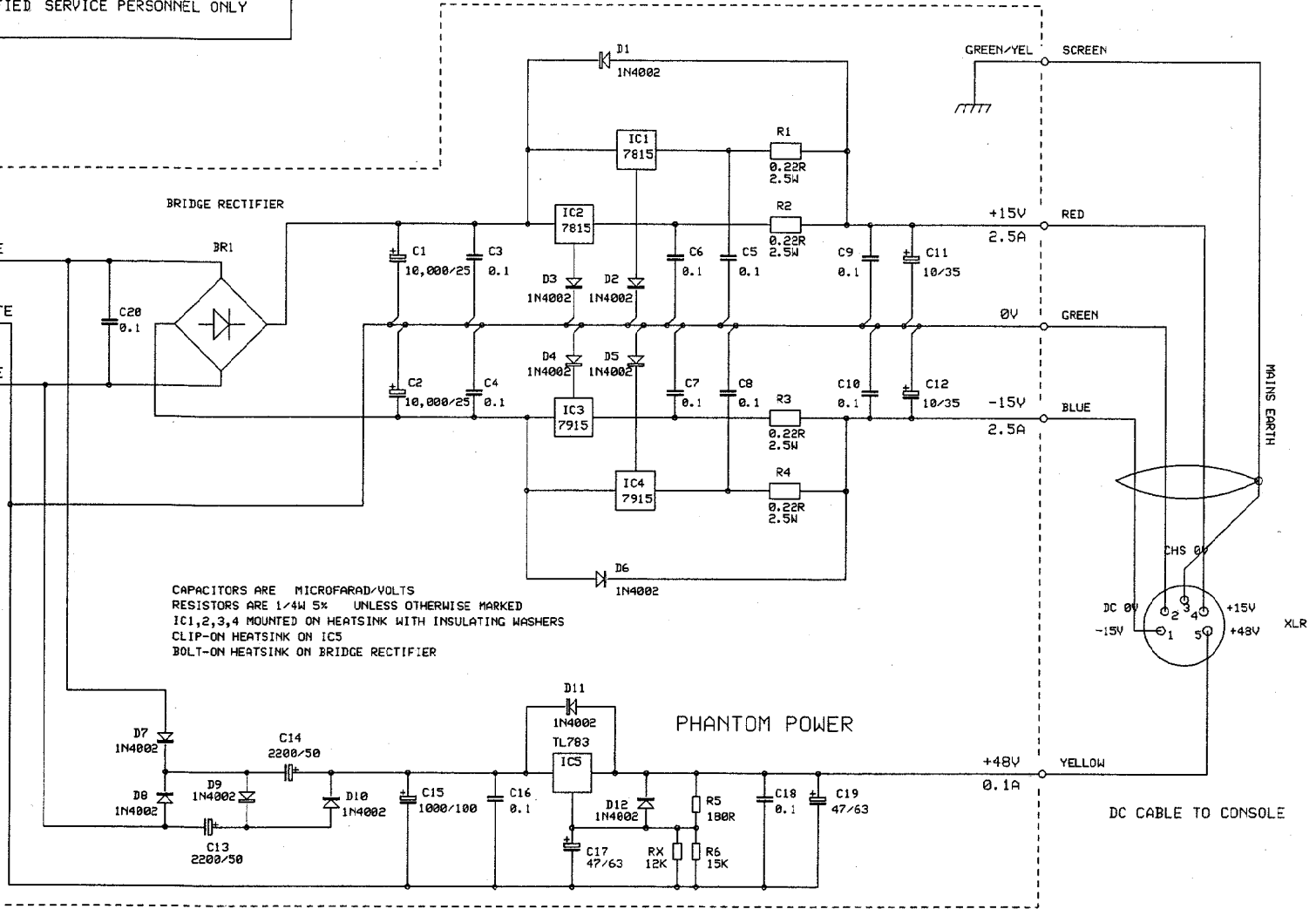
**MAINS TRANSFORMER**

REFER TO MAINS WIRING TABLE



**BRIDGE RECTIFIER**

CAPACITORS ARE MICROFARAD/VOLTS  
RESISTORS ARE 1/4W 5% UNLESS OTHERWISE MARKED  
IC1,2,3,4 MOUNTED ON HEATSINK WITH INSULATING WASHERS  
CLIP-ON HEATSINK ON IC5  
BOLT-ON HEATSINK ON BRIDGE RECTIFIER



PCB TYPE AG0114 ISSUE 4

ISS.	REVISION	BY	DATE	UNIT TITLE	MANUFACTURED IN ENGLAND BY
1	REDRAWN FROM MBD122 ISS.5	CD	29-9-92	MPS9G POWER SUPPLY	ALLEN & HEATH
<b>POWER SUPPLY UNIT</b>				DRAWING TITLE	DRAWING No. D197 ISSUE 1
				CIRCUIT DIAGRAM	