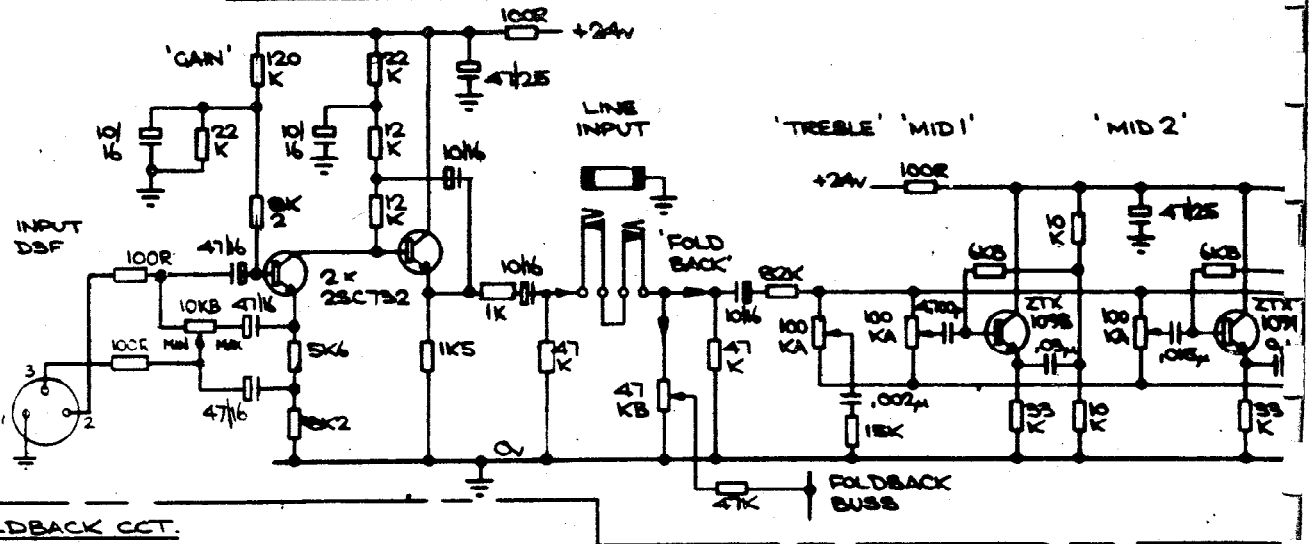
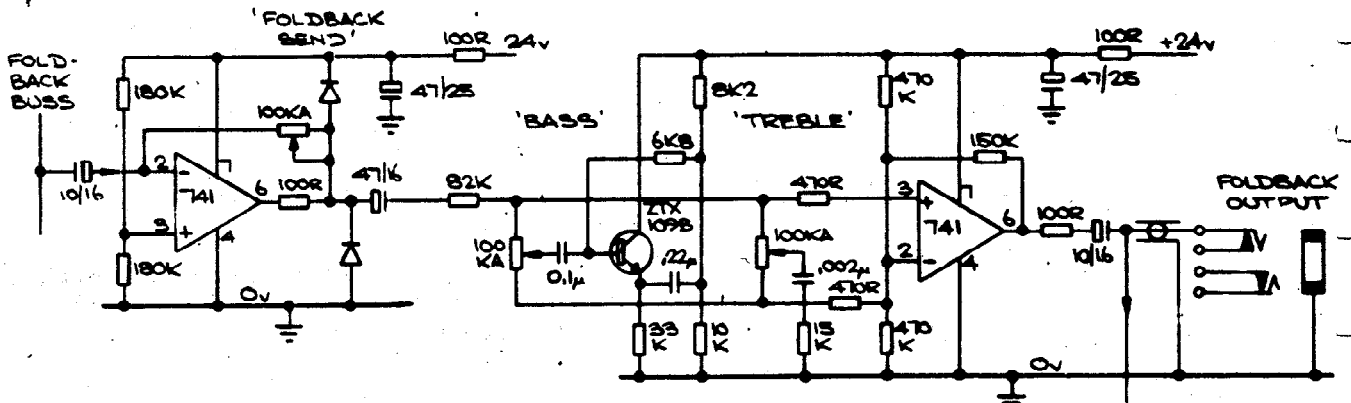


**INPUT AMPLIFIER**

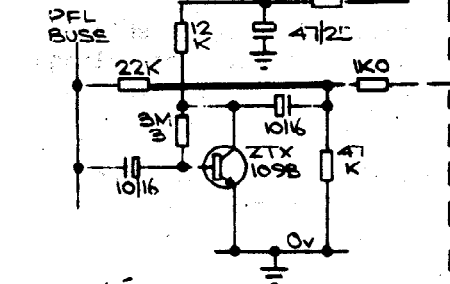
**TONE AMPLIFIERS**



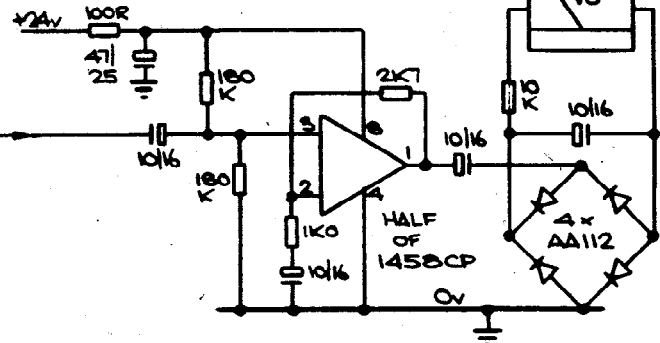
**FOLDBACK CCT.**



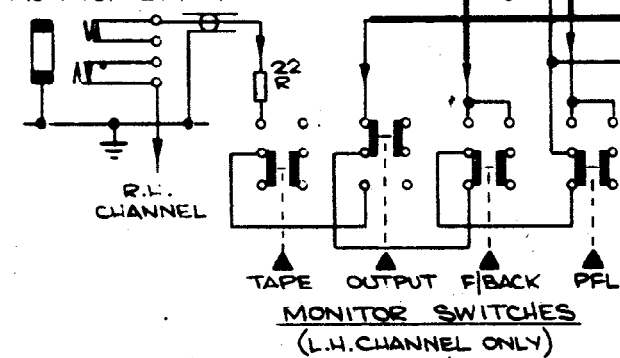
**PFL MON AMPLIFIER  
(COMMON TO BOTH  
CHANNELS)**



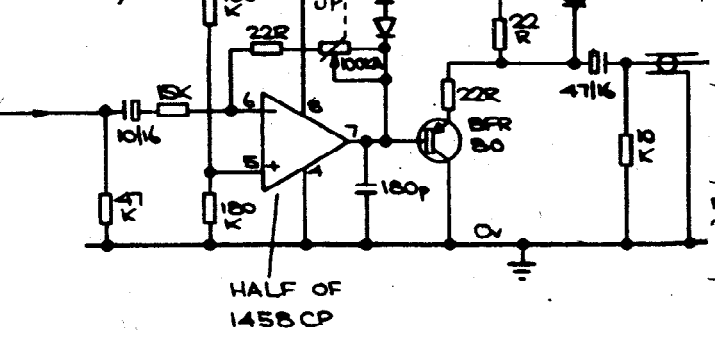
**METERING CCT.  
(L.H. CHANNEL ONLY)**



**TAPE  
MONITOR INPUT**

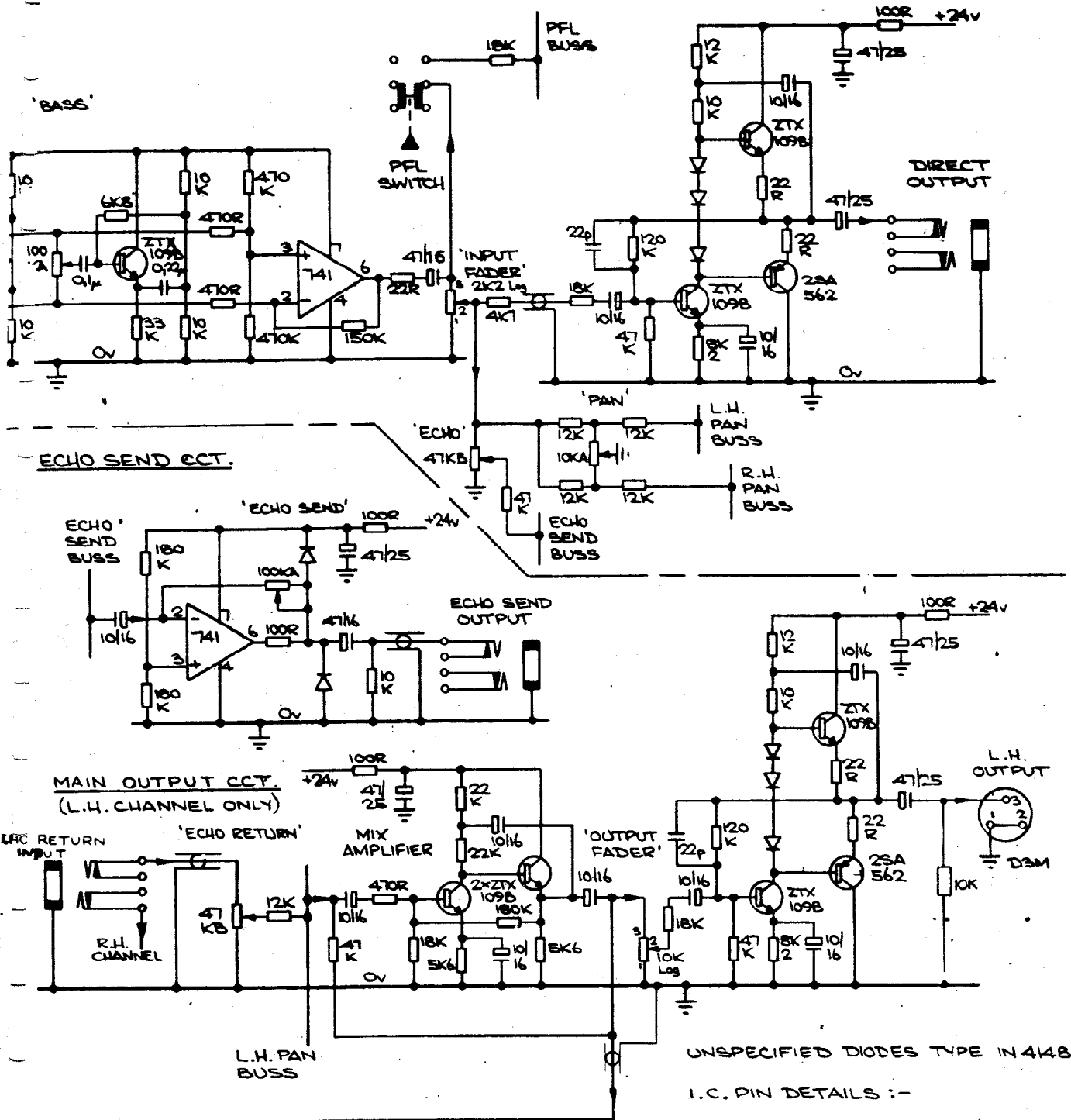


**MONITOR  
CCT.  
(L.H. CHANNEL  
ONLY)**



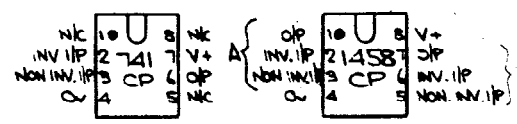
ALLEN & HEATH LTD.  
SD12 x 2 MIXER CIRCUIT DIAGRAM

**LINE AMPLIFIER**



PSU shown only in service/distributor version.

UNSPECIFIED DIODES TYPE IN 41KB  
I.C. PIN DETAILS :-



NATIONAL MOTOROLA

TRANSISTOR DETAILS :-

