

FIG 17D COMPONENT PRINT  
ATH 0326 72070 BY CD 15-11-90

REVISION	BY	DATE
ORIGIN	GMR	
ISSUE 2 PRODUCTION	CD	14-11-90

NOTES

- RESISTORS MARKED \* ARE 1%  
ALL OTHERS ARE 5% 1/4W UNLESS OTHERWISE MARKED
- ELECTROLYTIC CAPACITORS ARE µF/VOLTS

UNIT TITLE  
SERIES 200

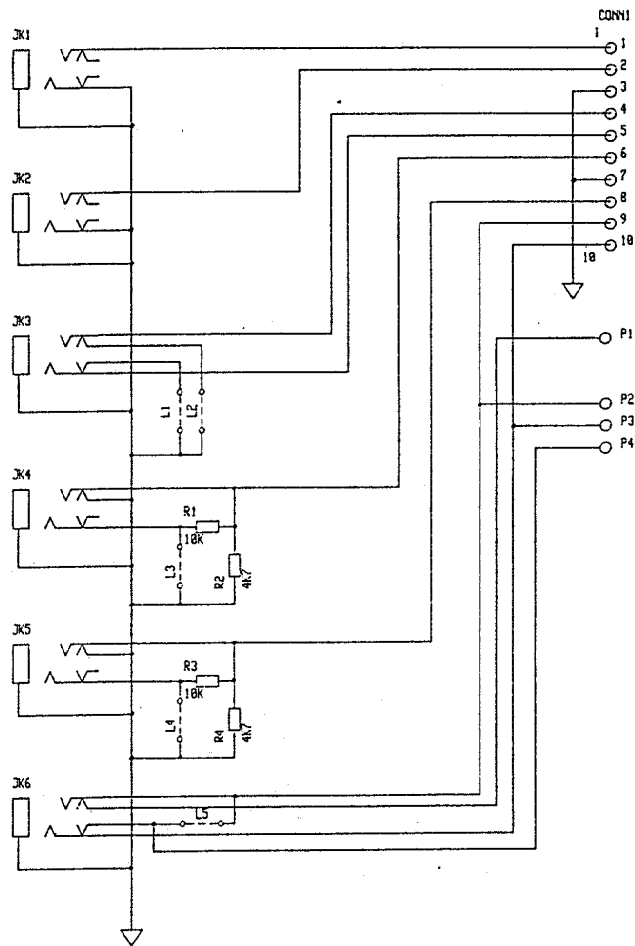
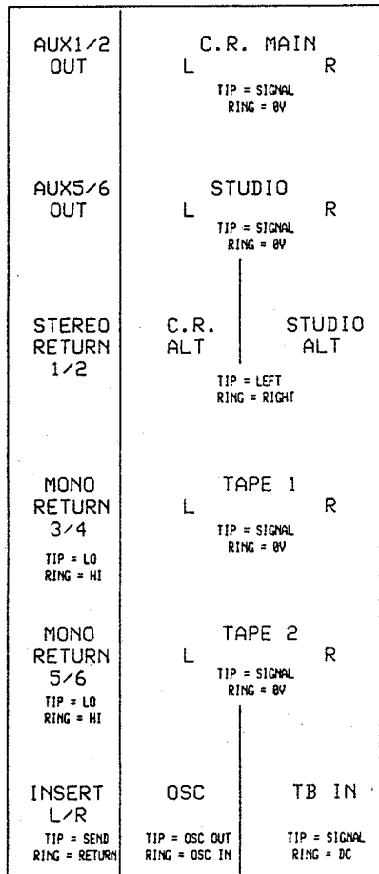
DRAWING TITLE  
3-JACK PCB  
PCB TYPE AG0202

ALLEN & HEATH

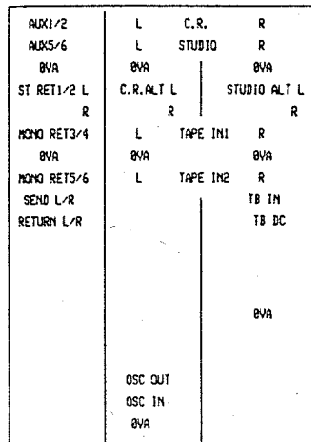
KERNICK IND. EST.  
PENRYN TEL. 0326 72070  
CORNWALL TR10 9LU FAX. 0326 77097

DRAWING No.  
D043 ISSUE 2

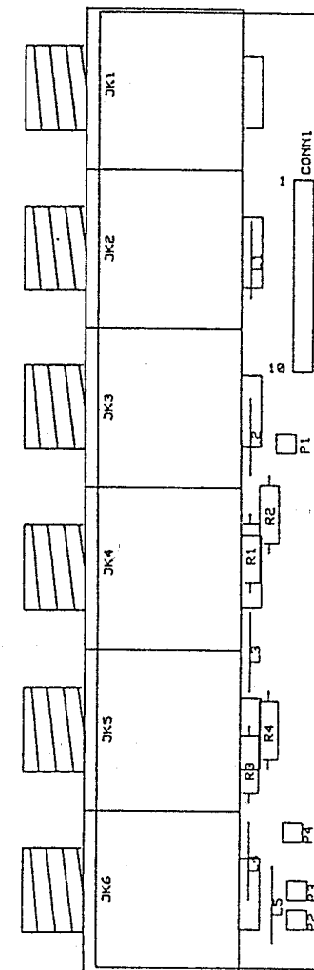
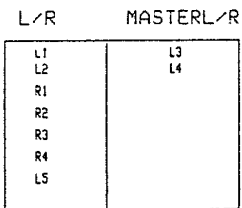
L/R MASTER-L MASTER-R



L/R MASTER-L MASTER-R



2 ASSEMBLY LOADINGS REQUIRED  
FIT AS FOLLOWS:



FW012D COMPONENT PRINT  
ALH 0326 72070 BY CD 15-11-90

REVISION	BY	DATE
ORIGIN	CHR	
ISSUE 2	PRODUCTION	CD 14-11-90

NOTES

- RESISTORS MARKED \* ARE 1%  
ALL OTHERS ARE 5% 1/4W UNLESS OTHERWISE MARKED
- ELECTROLYTIC CAPACITORS ARE 10% TOL

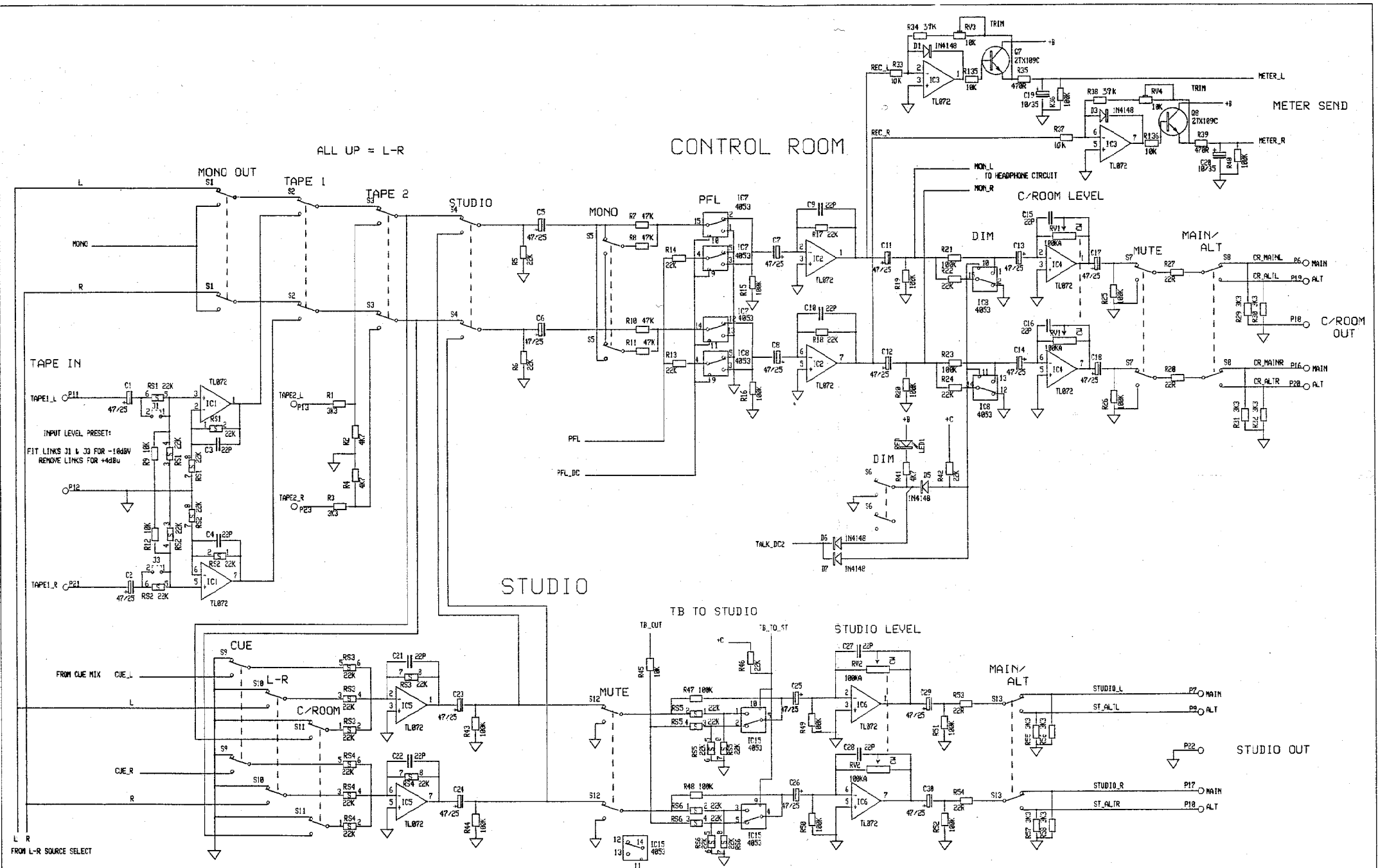
UNIT TITLE  
SERIES 200

DRAWING TITLE  
6-JACK PCB  
PCB TYPE AG0203

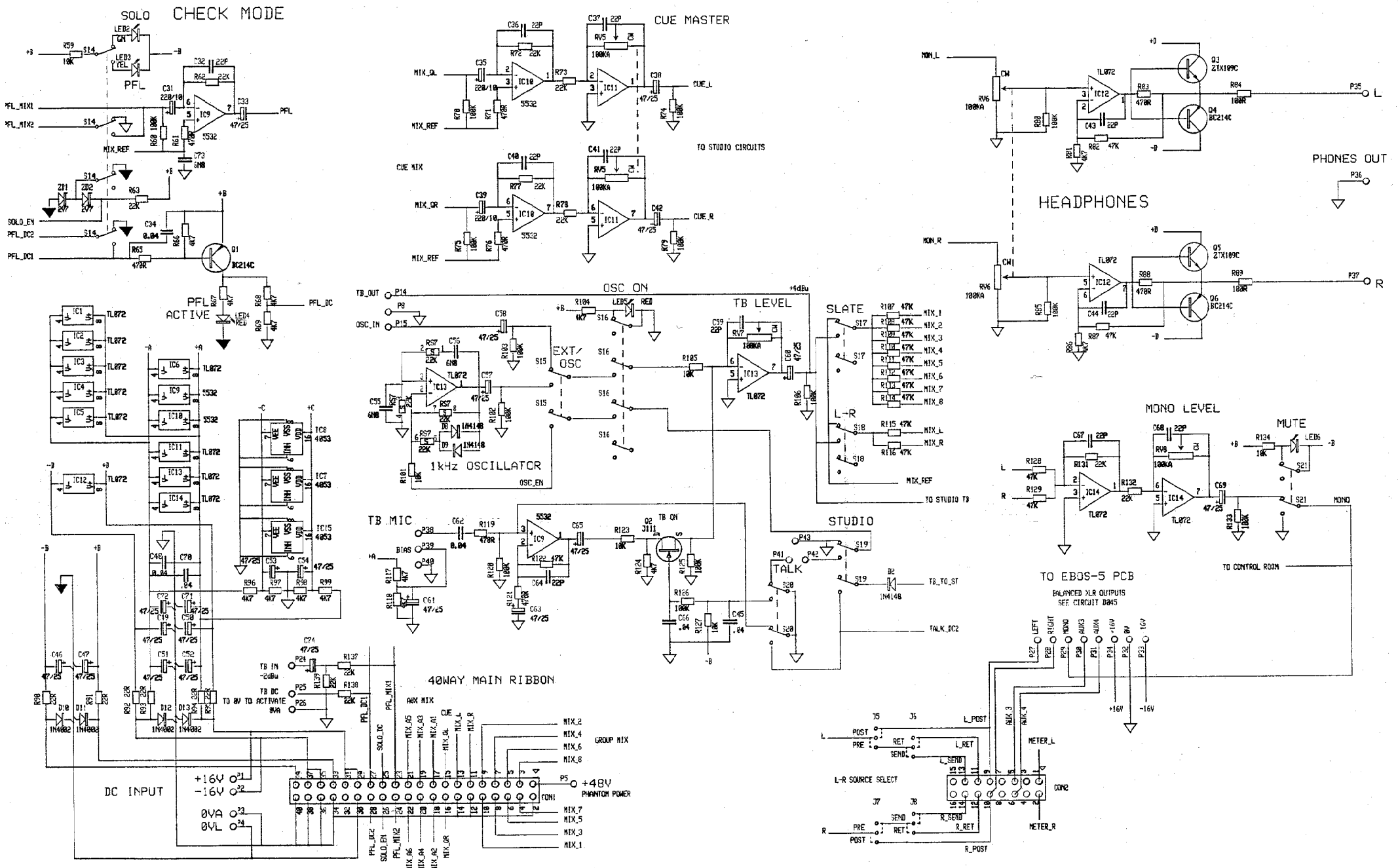
ALLEN & HEATH

KERNICK IND. EST.  
PENRYN IEL. 0326 72070  
CORNWALL TR:0 9LU FAX. 0326 77097

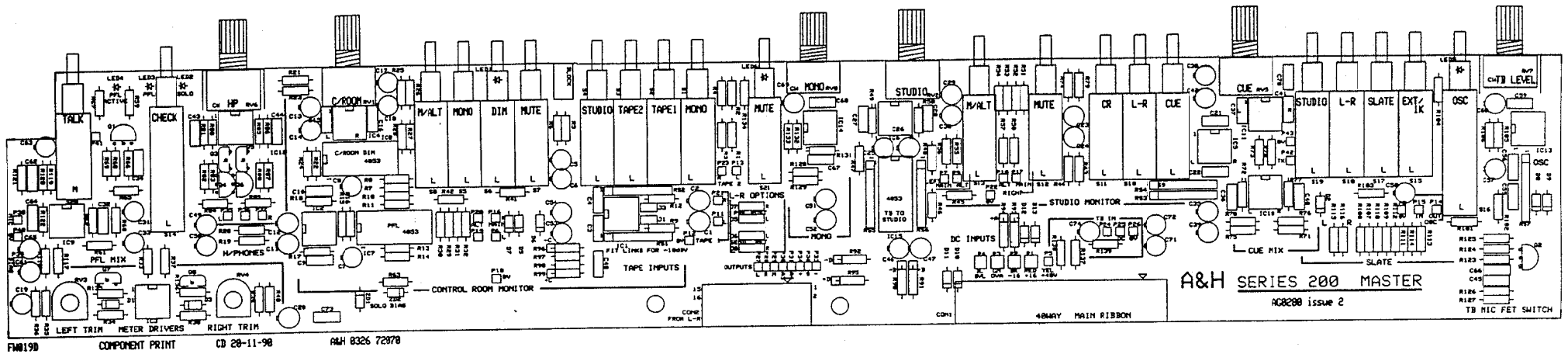
DRAWING No. D044 ISSUE 2



REVISION	BY DATE	NOTES	UNIT TITLE	ALLEN & HEATH
ORIGIN	CD 18-9-90	1. RESISTORS MARKED * ARE 1% ALL OTHERS ARE 5% 1/4W UNLESS OTHERWISE MARKED	SERIES 200	KERNICK IND. EST. TEL. 0326 72070
ISS.2 PRODUCTION	CD 18-11-90	2. ELECTROLYTIC CAPACITORS ARE µF/VOLTS	DRAWING TITLE SHEET 1 OF 2	PENRYN CORNWALL TR10 9LU FAX. 0326 77097
			M250 MASTER CIRCUIT PCB TYPE AQ0280	DRAWING No. D041 ISSUE 2

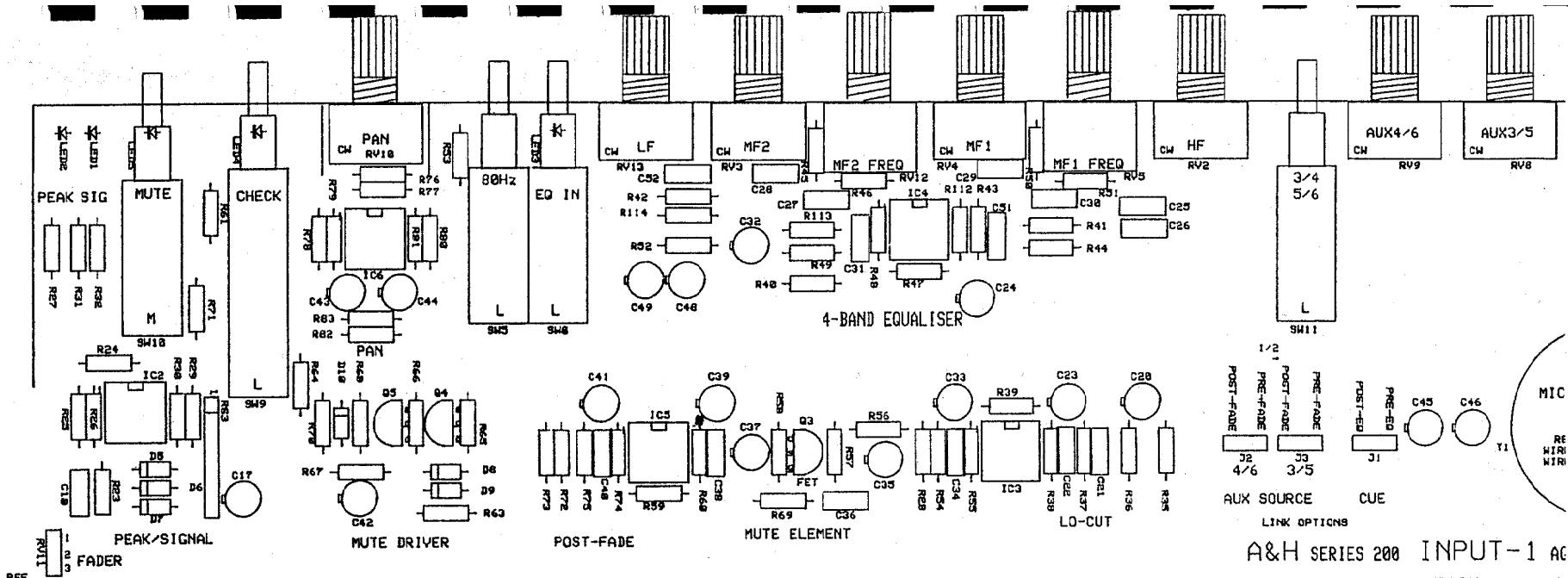


REVISION	BY DATE	NOTES	UNIT TITLE	SERIES 200	ALLEN & HEATH
ORIGIN	CD 18-9-90	1. RESISTORS MARKED * ARE 1% ALL OTHERS ARE 5% 1/4W UNLESS OTHERWISE MARKED	DRAWING TITLE	SHEET 2 OF 2	KERNICK IND. EST. TEL. 0326 72070
ISS.2 PRODUCTION	CD 18-11-90	2. ELECTROLYTIC CAPACITORS ARE µF/VOLTS	M250 MASTER CIRCUIT	PCB TYPE AQ0280	PENRYN CORNWALL TR10 9LU FAX. 0326 77097
					DRAWING No. D041 ISSUE 2

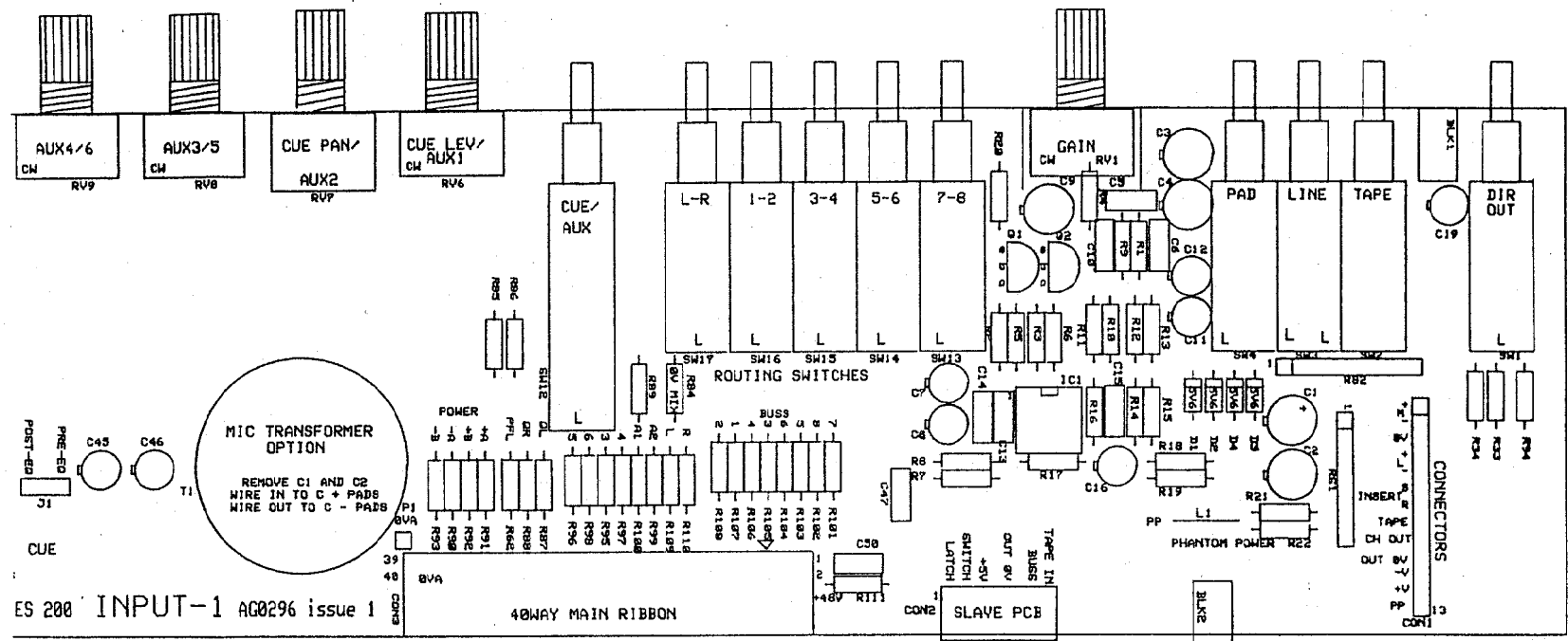


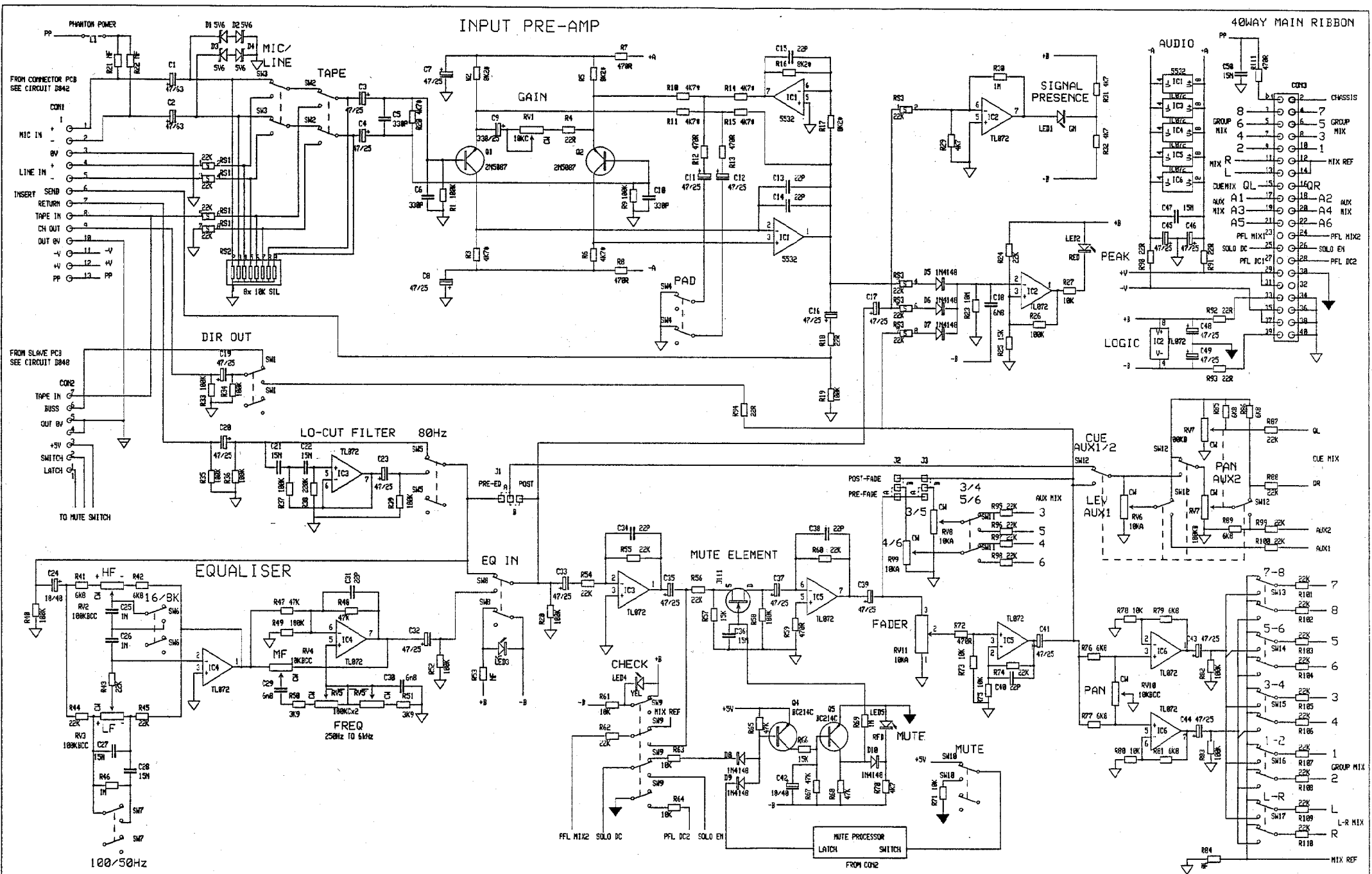
FM1190 COMPONENT PRINT CD 28-11-98 A&H 8326 72978

A&H SERIES 200 MASTER  
A08288 issue 2  
TB MIC FET SWITCH

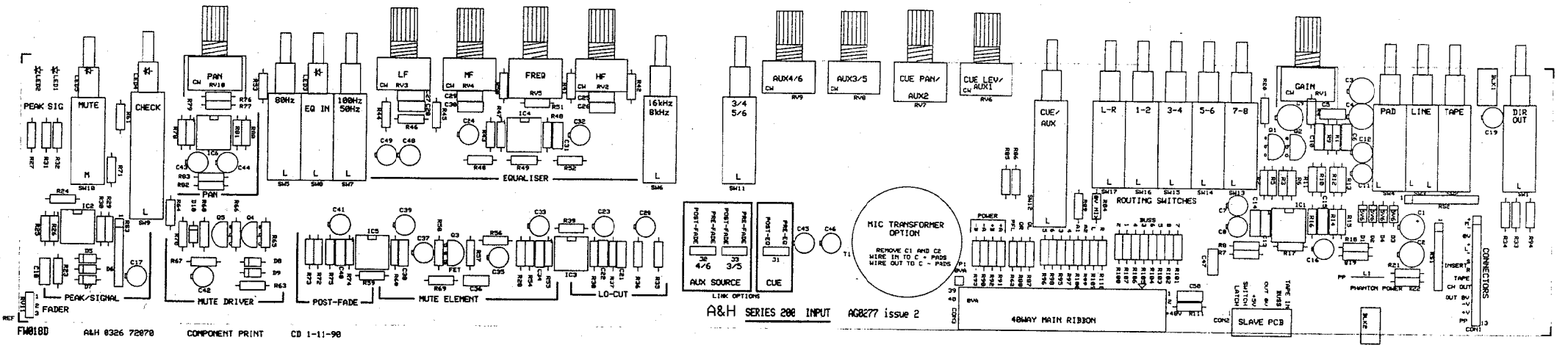


FW022D A&H 0326 72070 COMPONENT PRINT CD 8-4-91

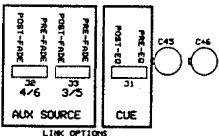




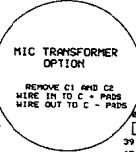
REVISION ORIGIN PRODUCTION ISSUE	BY DATE CD 20-8-90 CD 29-10-90	NOTES 1. RESISTORS MARKED * ARE 1% ALL OTHERS ARE 5% 1/4W UNLESS OTHERWISE MARKED 2. ELECTROLYTIC CAPACITORS ARE µF/VOLTS	UNIT TITLE SERIES 200	ALLEN & HEATH KERNICK IND. EST. TEL. 0326 72070 PENRYN CORNWALL TR10 9LU FAX. 0326 77097
DRAWING TITLE M210 INPUT CIRCUIT			DRAWING No. D038 ISSUE 2	
PCB TYPE AG277				



FM018D ALH 8326 72878 COMPONENT PRINT CD 1-11-98



A&H SERIES 206 INPUT AG8277 issue 2



48WAY MAIN RIBBON

SLAVE PCB

CONNECTORS