

ALLEN & HEATH



WARNING – HIGH VOLTAGES

Power Supply Unit (PSU) work should only be carried out by qualified personnel.

We recommend that you use an approved Allen & Heath service centre for all power supply work.

Please contact your local Allen & Heath distributor for more details.

<http://www.allen-heath.com/>



MixWizard Series

WZ20S

Stereo Audio Mixing Console

SERVICE MANUAL

Publication No: AP3638

CONTENTS

| | |
|--|--------|
| INTRODUCTION, SERVICE AND TECHNICAL SUPPORT..... | 3 |
| FLIGHTCASING THE CONSOLE & DIMENSIONS | 4 |
| SPECIFICATIONS & CONNECTIONS | 5 |
| ORDERING A MIXWIZARD WZ20S UNIT, OPTIONS & MANUALS | 6 |
| ORDERING SPARE ASSEMBLIES..... | 6 |
| ORDERING SPARE PARTS..... | 7-8 |
| MONO INPUT BOARD COMPONENT IDENT | AG3379 |
| MONO INPUT BOARD CIRCUIT DIAGRAM..... | C3379 |
| STEREO INPUT BOARD COMPONENT IDENT | AG3408 |
| STEREO INPUT BOARD CIRCUIT DIAGRAM | C3408 |
| LEFT BOARD COMPONENT IDENT | AG3627 |
| LEFT BOARD CIRCUIT DIAGRAM (PAGE 1 OF 2)..... | C3627 |
| LEFT BOARD CIRCUIT DIAGRAM (PAGE 2 OF 2)..... | C3627 |
| RIGHT BOARD COMPONENT IDENT..... | AG3626 |
| RIGHT BOARD CONNECTOR CIRCUIT DIAGRAM (PAGE 1 OF 2)..... | C3626 |
| RIGHT BOARD CONNECTOR CIRCUIT DIAGRAM (PAGE 2 OF 2)..... | C3626 |
| CONNECTOR BOARD COMPONENT IDENT..... | AG3632 |
| CONNECTOR BOARD CIRCUIT DIAGRAM (PAGE 1 OF 3)..... | C3632 |
| CONNECTOR BOARD CIRCUIT DIAGRAM (PAGE 2 OF 3)..... | C3632 |
| CONNECTOR BOARD CIRCUIT DIAGRAM (PAGE 3 OF 3)..... | C3632 |

Warning to the Service Engineer

Allen & Heath warns that any unauthorised changes or modifications to the **WZ20S** unit may invalidate the legal compliance of the unit and could void the user's authority to operate the equipment.

WZ20S Service Manual AP3638 Issue 2. Copyright © 2005 Allen & Heath. All rights reserved

MANUFACTURED IN ENGLAND BY:

ALLEN&HEATH

Kernick Industrial Estate
Penryn, Cornwall, TR10 9LU. UK
<http://www.allen-heath.com>

ALLEN & HEATH AGENT:



Introduction

The information presented in this manual is intended for competent technical personnel to carry out service and product support for the **MixWizard WZ20S** console. We assume that the reader is familiar with the related electronic theory and audio terminology, and is able to carry out basic servicing, faultfinding and repair of audio equipment of this type. Service personnel should also be familiar with audio systems, mains earthing and power requirements, as well as handling precautions.

For information on the configuration, operation and application of the *MixWizard WZ20S* please refer to the User Guide.

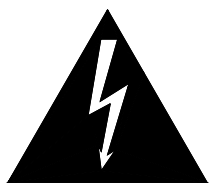
Whilst we believe the information in this manual to be reliable we do not assume responsibility for inaccuracies. We also reserve the right to make changes in the interest of further product development.

Service and Technical Support

Under normal operating conditions the **MixWizard WZ20S** does not require user maintenance or internal calibration. Any service work required should be carried out by qualified technical personnel only.

We are able to offer further product support through our worldwide distribution network. To help us provide an efficient service please quote the console serial number, the date and place of purchase in any communication regarding this product.

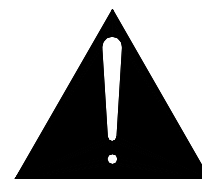
SAFETY WARNING!



Mains electricity is dangerous and can kill. Mains voltage is present within the unit.

Do not remove the cover with mains electricity connected. To ensure your safety, mains earth is connected to the chassis through the power lead. Do not remove this mains earth connection.

To avoid the risk of fire, replace the mains fuse with the correct value and type as indicated on the rear panel.



Before switching on your console, check that the fuse is of the correct rating and type. This is clearly marked on the rear panel. Do not replace the fuse with any other type, as this could become a safety hazard and will void the warranty.

General Precautions

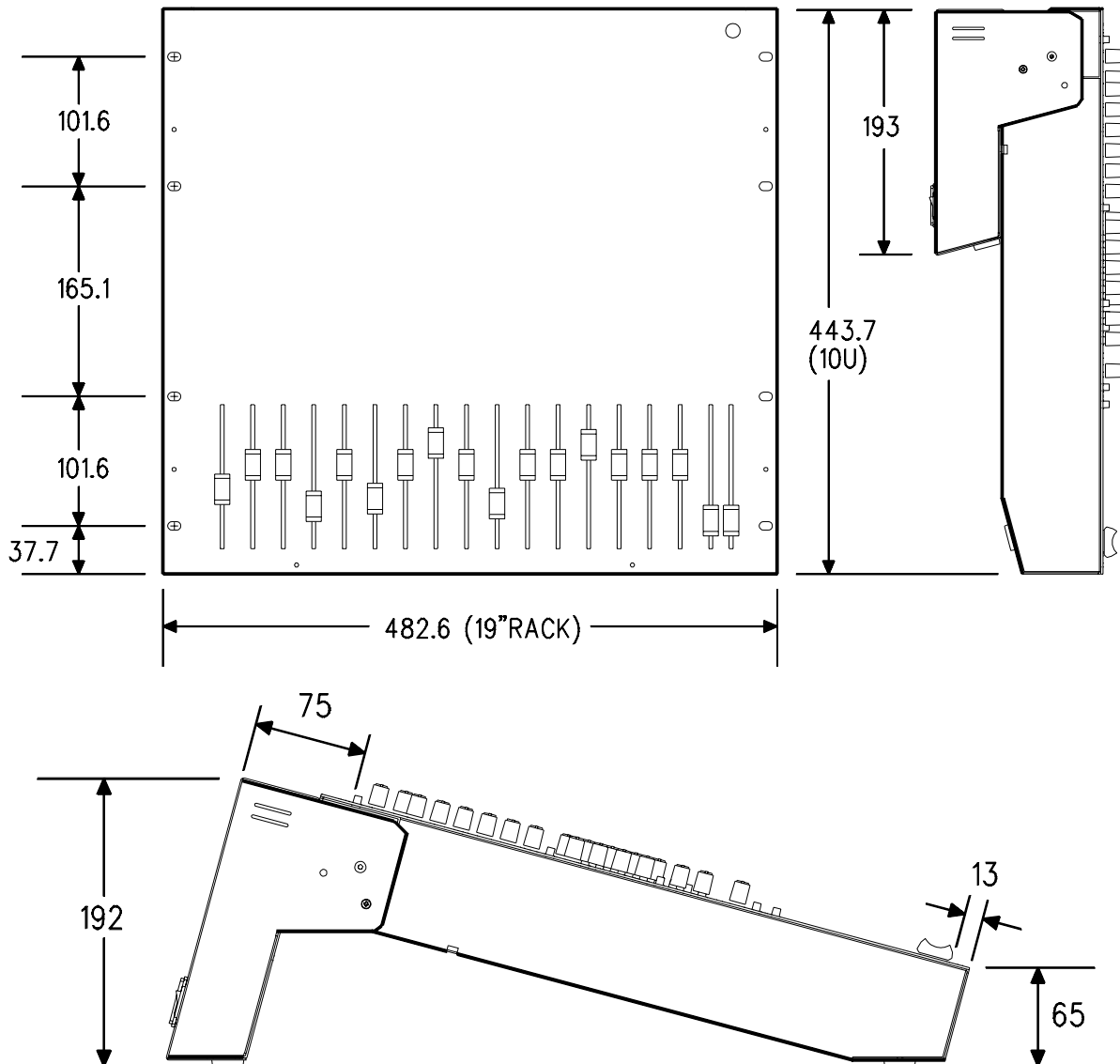
Your **WZ20S** is ruggedly constructed to give many years of reliable operation. However, you will extend the life of the console and preserve its cosmetics by applying these simple common sense precautions.

- Avoid storing or using the mixing console in conditions of excessive heat or cold, or in positions where it is likely to be subject to vibration, dust dirt or moisture.
- Do not use any liquids to clean the control surface of the console, a soft dry brush or dry lint-free cloth is ideal.
- Use only water or ethyl alcohol to clean the trim and scribble strips. Other solvents may cause damage to paint or plastic parts.
- The faders, switches and potentiometers are lubricated for life. The use of electrical lubricants on these parts is not recommended.
- Avoid using the console close to strong sources of electromagnetic radiation (e.g. video monitors, high power electric cabling): this may cause degradation of the audio quality due to induced voltages in connecting leads and chassis.

Flightcasing the Console

If the console is to be regularly moved we recommend that it is installed in a foam-lined flightcase. At all times avoid applying excessive force to any knobs, switches or connectors.

Dimensions for flightcasing the console are shown below:



Dimensions

| | Width | Height | Depth |
|--------------------|-----------------|-------------------|---------------|
| Desktop | 483mm (19") | 192mm (7.6") | 530mm (20.9") |
| Rack mounted | 483mm (19") | 444mm (17.5") 10U | 135mm (5.3") |
| Packed..... | 590mm (23.2") | 260mm (10.2") | 610mm (24") |
| | <u>Unpacked</u> | <u>Packed</u> | |
| Weight..... | 10kg (22lbs) | 13kg (29lbs) | |

Specifications

0dBu = 0.775 Volts rms +4dBu = 1.23V rms
 0dBV = 1 Volt rms -10dBV = 316mV rms

INTERNAL HEADROOM:

..... Channels +21dB
 Mix to output +23dB

MAXIMUM OUTPUT LEVEL:

XLR +26dBu into >2k ohm load
 TRS jack +21dBu into >2k ohm load

PEAK INDICATORS: Turn on 5dB before clipping

METERS:

..... MIX 1,2 / MONITOR Peak reading 12 led 3 colour

FREQUENCY RESPONSE:

..... 20Hz to 50kHz +0/-1dB

DISTORTION: THD+noise @ +14dBu 1kHz

..... < 0.006%

CROSSTALK: Channel shutoff measured at 1kHz

..... < 90dB

NOISE: Measured rms 22Hz to 22kHz

MIC EIN: referred to 150 ohm source

..... -128dB

RESIDUAL OUTPUT NOISE:

..... XLR -90dBu (-94dB S/N)

..... TRS jack -94dBu (-94dB S/N)

MIX NOISE, CH ROUTED:

..... XLR -86dBu (-90dB S/N)

..... TRS jack -90dBu (-90dB S/N)

POWER SUPPLY:

100 to 240V AC @ 50/60Hz

Internal switch mode power unit with auto sensing mains input.

Power Consumption 35W max

Mains fuse rating 100-240VAC T500mA 20mm

Connections

INPUTS:

Mic in XLR pin 2 hot, 3 cold, balanced 2k Ohm variable -60 to -20dBu
 Line in TRS jack tip hot, ring cold, balanced >10k Ohm variable -30 to +10dBu
 Stereo Ch in A RCA PHONO unbalanced >10k Ohm variable -20 to +10dBu
 Stereo Ch in B TRS jack tip hot, ring cold balanced >10k Ohm variable -20 to +10dBu
 EXT in 1-2 TRS jack tip hot, ring cold balanced >10k Ohm variable -10dBV (+4dBu option)

OUTPUTS:

Direct out 1-4 TRS jack tip hot, ring cold, impedance balanced <75 Ohm 0dBu
 Mix out 1-2 XLR pin 2 hot, 3 cold, balanced <75 Ohm +4dBu
 Mix out 2 TRS jack tip hot, ring cold, impedance balanced <75 Ohm -2dBu
 Mono out XLR pin 2 hot, 3 cold, balanced <75 Ohm +4dBu
 Aux out 1-6 TRS jack tip hot, ring cold, impedance balanced <75 Ohm -2dBu
 Phones out 1, 2 TRS jack tip left, ring right for stereo headphones 75 to 600 Ohms

INSERTS:

Mono Channel:

Send TRS jack tip send, ring return, unbalanced <75 Ohm 0dBu

Return TRS jack tip send, ring return, unbalanced >3k Ohm

Mix out 1-2:

Send TRS jack tip send, ring return, unbalanced <75 Ohm -2dBu

Return TRS jack tip send, ring return, unbalanced >7k Ohm

ORDERING A CONSOLE

To order a new *MixWizard* console please specify the model number and AC mains voltage.

| <u>MODEL</u> | <u>DESCRIPTION</u> | <u>ORDER CODE</u> |
|------------------------|---|--------------------|
| <u>MIXWIZARD WZ20S</u> | <u>4 Mono + 8 Stereo Input Channels</u> | <u>WZ20S/volts</u> |

ORDERING AN OPTION

To order an option please specify the model number required.

| | | |
|--------------------|--------------------------------------|------------------------|
| <u>RIAA OPTION</u> | <u>WZ20S RIAA DUAL INPUT OPTION</u> | <u>W21442/20S-RIAA</u> |
| <u>FADER START</u> | <u>WZ20S MONO FADER START OPTION</u> | <u>002-496</u> |
| <u>FADER START</u> | <u>WZ20S 4M8S FADER START OPTION</u> | <u>002-501</u> |

MANUALS AND SUPPORT DOCUMENTATION

| <u>DESCRIPTION</u> | <u>ORDER CODE</u> |
|---------------------------------------|-------------------|
| <u>MIXWIZARD WZ20S User Guide</u> | <u>AP3634</u> |
| <u>MIXWIZARD WZ20S Service Manual</u> | <u>AP3638</u> |
| <u>MIXWIZARD WZ20S Flyer</u> | <u>AP3637</u> |

SERVICE TOOLS

The tools required to service the *MixWizard WZ20S* are standard to an electronics service workshop and are easily obtainable. The following items are necessary for disassembly and service access:

| | |
|--|---------------|
| <u>1-point Crosshead screwdriver (M3, M4, 4AB)</u> | <u>AT0004</u> |
| <u>11mm AF Nutdriver (potentiometer, headphone socket and jack nuts)</u> | |

ORDERING AN ASSEMBLY

The following assemblies for the *MixWizard WZ20S* are supplied fully tested. Please quote the description and order code for the part required.

Printed circuit board (PCB) assemblies:

| | |
|--|----------------|
| <u>Mono Input PCB assembly</u> | <u>002-483</u> |
| <u>Left PCB assembly</u> | <u>002-484</u> |
| <u>Right PCB assembly</u> | <u>002-485</u> |
| <u>Stereo PCB assembly</u> | <u>002-487</u> |
| <u>Connector PCB assembly including Power Supply</u> | <u>002-486</u> |

IDC connector harnesses:

| | |
|--|---------------|
| <u>WZ20S 16 way Main harness</u> | <u>AL3669</u> |
| <u>WZ12/16/20S/464 34 way Master harness</u> | <u>AL3518</u> |

ORDERING A SPARES KIT

It is recommended that the spares kit order code **002-491** is held and maintained by the service agent to enable in-field service repairs to the **WZ20S** independent of the ALLEN & HEATH factory. Commonly available items such as resistors, capacitors, tools and soldering equipment are not included. The contents of the kit are listed below and are supplied in a cabinet of drawers. Individual spare parts may be ordered. Please quote the description and order code for the part required.

| DESCRIPTION | ORDER CODE | QTY |
|--------------------|-------------------|------------|
|--------------------|-------------------|------------|

Fixings:

| | | |
|-------------------------------------|--------|----|
| Screw M3 x 6mm TT Pan Pozi Black | AB0071 | 10 |
| Screw M3 x 8mm Pan Pozi Black | AB0073 | 10 |
| Screw M3 x 10mm Pan Pozi Black | AB0076 | 10 |
| Nylock Nut M3 | AB0102 | 10 |
| Screw M3 x 4mm Pan Pozi Black | AB0233 | 10 |
| Washer M3 Shakeproof | AB0244 | 5 |
| Screw 4AB x ¼ Pan Pozi Plated | AB0252 | 1 |
| Screw 4 x 5/16" Poly Pan Pozi Black | AB2810 | 10 |
| Screw M3 x 6mm TT CSK Pozi Black | AB2929 | 5 |
| Fastfoot | AK0102 | 2 |

Knobs and caps:

| | | |
|-----------------------------------|--------|----|
| Knob Red & Grey 11mm D | AJ2074 | 10 |
| Knob Blue & Grey 11mm D | AJ2075 | 10 |
| Knob Light Blue & Grey 11mm D | AJ2076 | 10 |
| Knob Green & Grey 11mm D | AJ2077 | 5 |
| Knob Dark Grey & Grey 11mm D | AJ2078 | 10 |
| Knob Yellow & Grey 11mm D | AJ2079 | 10 |
| Knob Brown & Grey 11m D | AJ2080 | 5 |
| Button 5.5mm Square Grey | AJ2864 | 10 |
| Button 10x5mm Rectangular Grey | AJ2865 | 5 |
| Button Round Black | AJ2887 | 3 |
| Button 5.5mm Square White | AJ2960 | 10 |
| Button 5.5mm Square Red | AJ2961 | 10 |
| Button 10 x 5mm Rectangular White | AJ2962 | 10 |
| Switch Cap Tall | AJ8071 | 5 |
| Fader Knob 11mm White+Black Line | AJ8078 | 5 |
| Fader Knob 11mm Yellow+Black Line | AJ8080 | 5 |
| Fader Knob 11mm Blue+Black Line | AJ8081 | 10 |

Faders, Potentiometers, Switches and connectors:

| | | |
|---|--------|----|
| Pot 20KK (203K 11mm wide) | AI8003 | 10 |
| Pot 20KB centre click (203B 11mm wide) | AI8004 | 10 |
| Pot 200KC x 2 (204C 1mm wide) | AI8005 | 10 |
| Pot 20KB x 2 centre click (14mm wide) | AI8006 | 5 |
| Pot 20KK x 2 (203K 14mm wide) | AI8007 | 10 |
| Pot 10KAC x2 (103AC 14mm wide) | AI8008 | 10 |
| Pot 5K (502RD 11mm wide) | AI8111 | 5 |
| Fader 10KD 100mm | AI8117 | 5 |
| Fader 10KD x 2 100mm | AI8118 | 10 |
| Switch 2PCO Latching 90° | AL0162 | 5 |
| Jack Socket Headphone | AL0328 | 1 |
| XLR 3 Pin Female Vertical PCB Mount | AL2410 | 3 |
| XLR 3 Pin Male Vertical PCB Mount | AL2411 | 3 |
| Phono Socket 24mm Dual Vertical PCB Mount | AL3240 | 5 |
| Jack Socket ¼" Stereo Unswitched | AL3407 | 5 |
| Jack Socket ¼" Stereo Switched | AL3410 | 5 |
| Switch 2PCO Latching Vertical | AL8057 | 3 |
| Switch 2PCO Latching 90Deg | AL8065 | 5 |
| Pot Nut 9mm | AB8050 | 20 |

LEDs and Semiconductors:

| | | |
|-------------------------------|--------|----|
| Transistor BC549 NPN | AE0020 | 10 |
| Transistor BC638 PNP TO92H | AE0037 | 5 |
| IC TL072 Dual Op-Amp | AE0046 | 5 |
| Transistor BC637 NPN TO92H | AE0068 | 5 |
| IC LM339N Quad Comparator | AE0071 | 3 |
| Transistor J111N FET T092B | AE0083 | 2 |
| LED 3mm T1 Red | AE0086 | 5 |
| IC CMOS 4053B | AE0117 | 5 |
| IC Op-Amp NE5532N | AE0221 | 5 |
| Transistor 2N4403 PNP | AE0273 | 10 |
| IC SSM2142P Bal Out Driver | AE0302 | 3 |
| LED Bar Rectangular 12 Way | AE2701 | 2 |
| Transistor BC556B PNP | AE3001 | 5 |
| LED Rect Green 5X2MM Flat Top | AE3501 | 5 |
| LED Rect Red 5X2MM Flat Top | AE3502 | 2 |
| IC TL072 Op-Amp SIL | AE8070 | 5 |
| Transistor MPSA92 PNP | AE8119 | 1 |

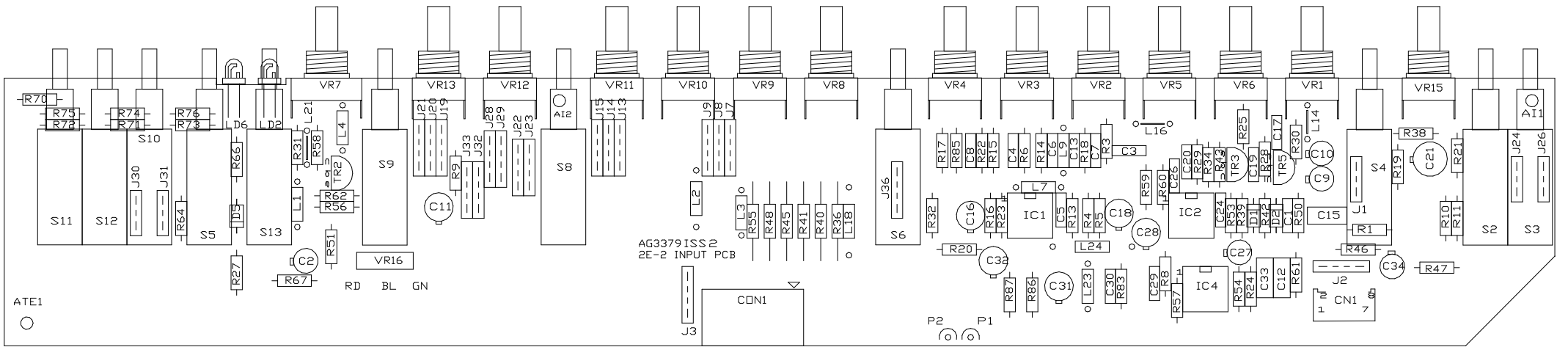
POWER SUPPLY:

| | | |
|--------------------------------|--------|---|
| Insulation Guard | AA3509 | 1 |
| Mains Lead IEC-2 Pin (Europe) | AH0205 | - |
| Mains Lead IEC-3 Pin (UK) | AH0206 | - |
| Mains Lead IEC-3 Pin C33 (USA) | AH0323 | - |
| Fuseholder 20mm PCB Mount | AL3178 | - |
| IC Opto-Isolator 4N35 | AE0266 | 1 |
| Diode Zener 47V 500mW | AE2999 | 1 |
| Transistor TIP122 | AE3215 | 1 |
| Diode BYV27-400 2A | AE3469 | 5 |
| Diode BYV26E 1A 1000V | AE3470 | 5 |
| Diode P6KE200A | AE3471 | 3 |
| Transistor Mosfet STP4NA80FI | AE3472 | 3 |
| IC SMPS UC3842AN | AE3473 | 3 |
| IC TL431 Voltage Reference | AE3475 | 1 |
| Bridge Rectifier 2KBP04M | AE3477 | 2 |
| Inductor 4.7uH 600mA | AM3467 | 2 |
| Transformer Wizard Switch Mode | AM3476 | 1 |

Miscellaneous:

| | | |
|-----------------------------|--------|---|
| MixWizard Box + Fittings | AP2915 | - |
| Flex cable 39 way 200mm | AH2900 | 2 |
| Flex Socket 12 Way 90Deg | AL2226 | - |
| Flex Socket 12 Way Straight | AL2227 | - |
| Flex Socket 8 Way 90Deg | AL2901 | - |
| Flex Socket 39 Way Straight | AL2902 | - |

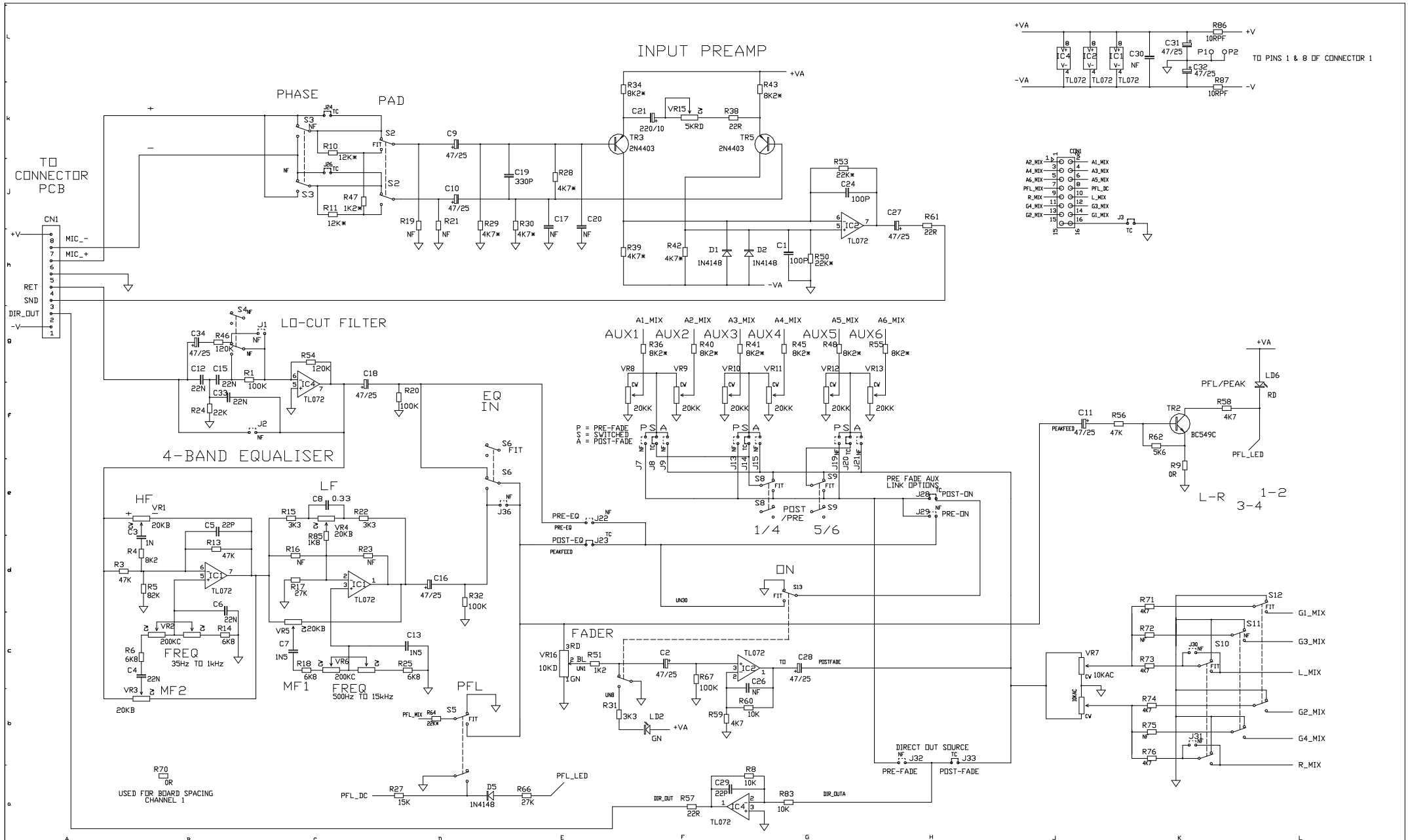
3-41-2L-R PFL □N PAN /PRE A6 A5 /PRE A4 A3 A2 A1 EQ IN LF LEVEL FREQ MF2 MF1 HF LO- CUT GAIN PAD PHASE



AG3379 ISS 2
2E-2 INPUT PCB

ATE1

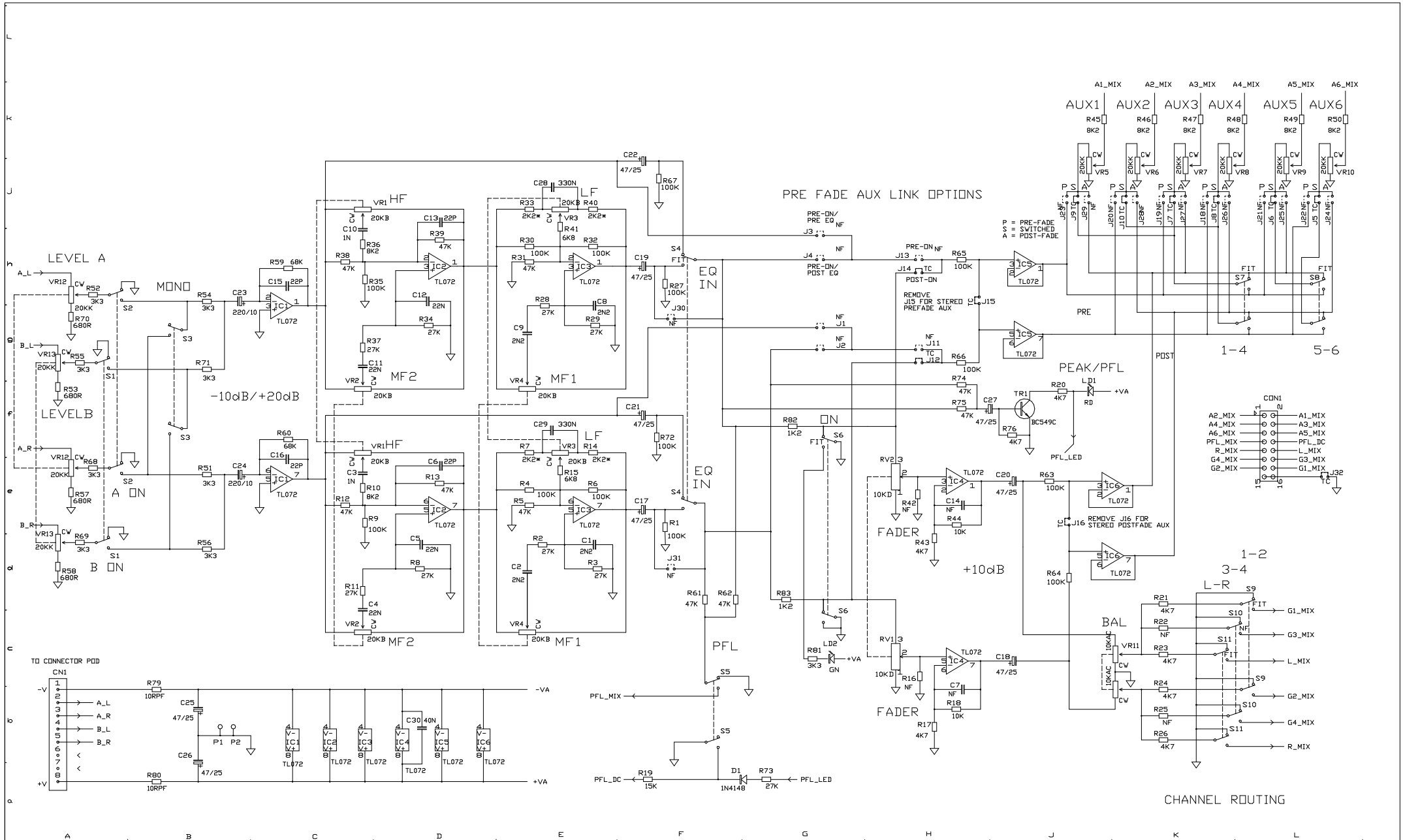
FLEXI TO
CONNECTOR POD



| ISS | REVISION | BY | DATE | NOTES |
|-----|------------|-------|-------|--|
| 1 | PRODUCTION | AAT14 | 06-99 | 1. RESISTORS MARKED * ARE 1% ALL OTHERS ARE 5% 1/4W UNLESS OTHERWISE MARKED 2. ELECTROLYTIC CAPACITORS ARE 5% VOLTAGE 3. DO NOT MODIFY THIS CCT. WITHOUT REFERENCE TO OTHER WIZARD INPUT CCTS. |

FOR REFERENCE ONLY
NOT TO BE USED TO UPDATE PCB

| UNIT TITLE | DRAWING TITLE | MANUFACTURED IN ENGLAND BY |
|--------------|---|----------------------------|
| W2 20S INPUT | INPUT CIRCUIT DIAGRAM PCB TYPEAG3379 | ALLEN & HEATH |
| | | DRAWING No3379_20S ISSUE 1 |

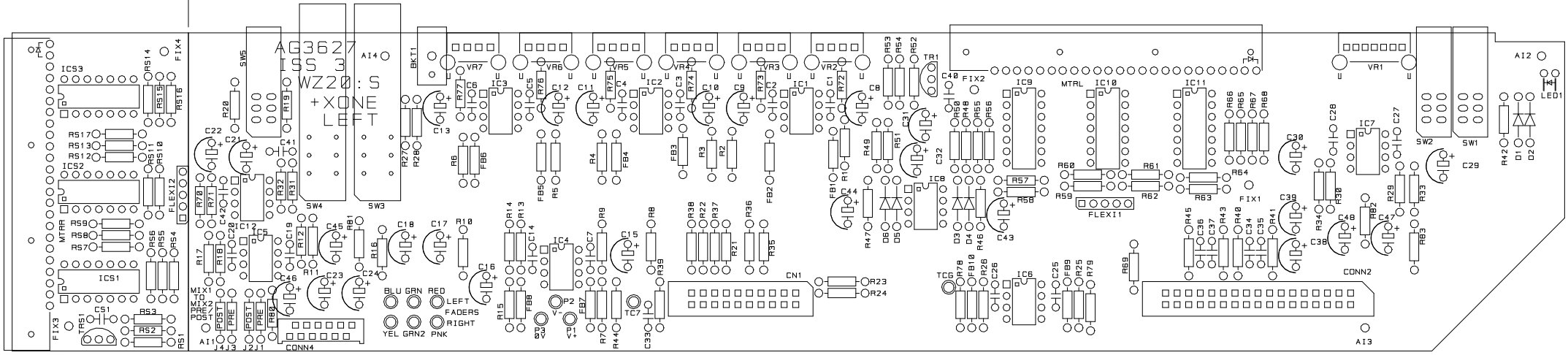


| ISS. | REVISION | BY | DATE | NOTES |
|------|------------|-----|----------|--|
| 1 | PRODUCTION | AAT | 14-06-99 | 1. RESISTORS MARKED * ARE 1% ALL OTHERS ARE 5% 1/4W UNLESS OTHERWISE MARKED 2. ELECTROLYTIC CAPACITORS ARE μ VOLTS |

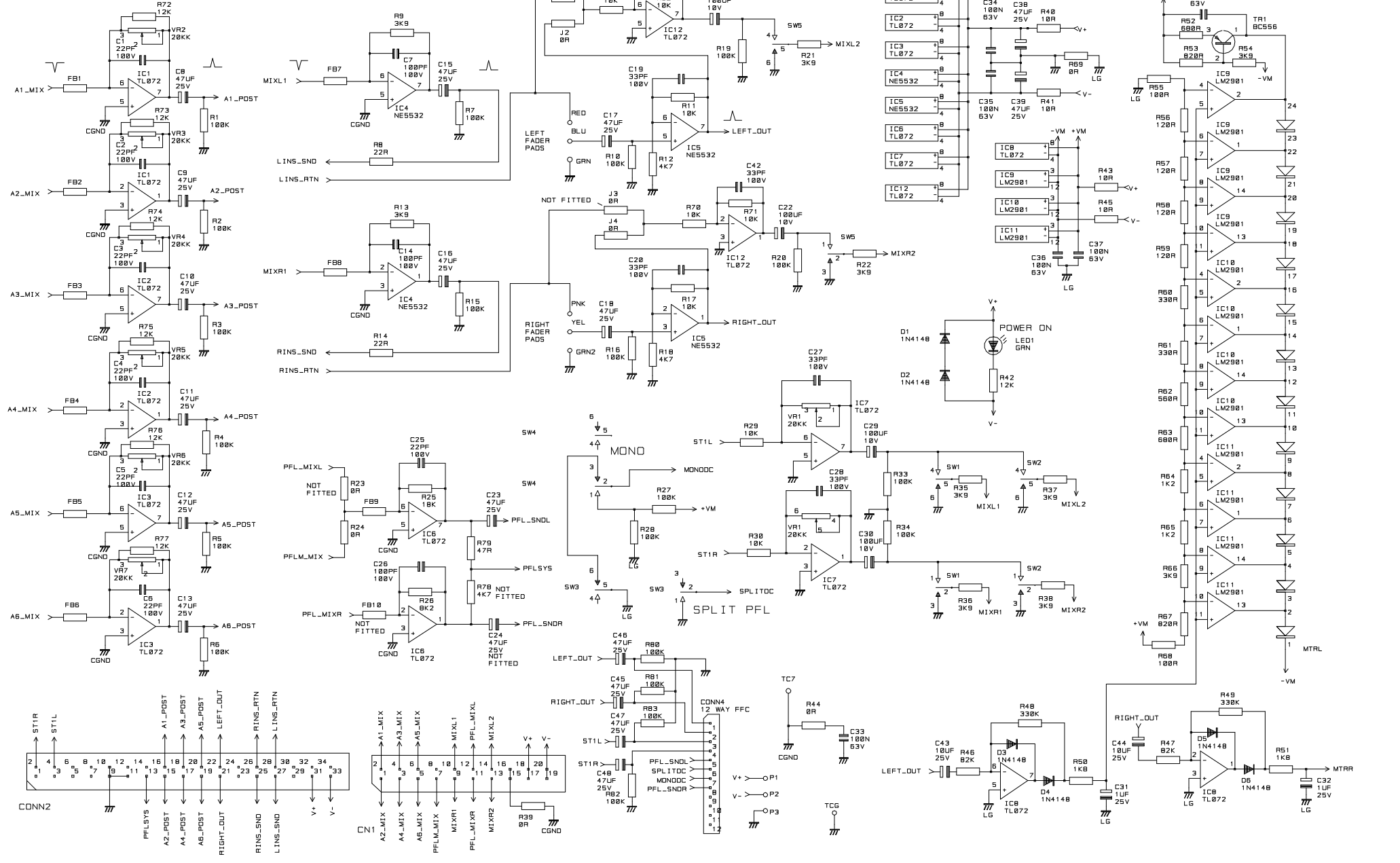
FOR REFERENCE ONLY
NOT TO BE USED TO UPDATE PCB

| | |
|---------------|------------------------|
| UNIT TITLE | W2 20S STEREO |
| DRAWING TITLE | STEREO CIRCUIT DIAGRAM |
| PCB TYPE | AG3408 |

| | |
|----------------------------|---------------|
| MANUFACTURED IN ENGLAND BY | ALLEN & HEATH |
| DRAWING No | 3408_20S |
| ISSUE | 1 |
| | A1 |



| INITIAL | ISSUE | DATE |
|---------|-------|---------|
| MG | 3 | 19-8-99 |



ALLEN & HEATH
 COPYRIGHT OF THIS DRAWING
 WHICH IS NOT TO BE COPIED,
 REPRODUCED OR DISCLOSED, IN PART
 OR IN WHOLE TO A THIRD PARTY
 WITHOUT WRITTEN PERMISSION.

NOTES

VR1 20K
 VR2 20K
 VR3 2x20K
 VR4 20K
 VR5 20K
 VR6 20K
 VR7 20K

POT BRACKETS CONNECTED
 TO ENFORCE CONNECTION
 TO FRONT PANEL FOR
 HUM SHIELDING

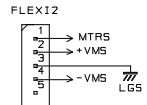
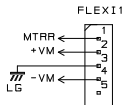
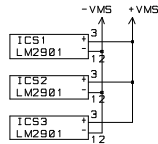
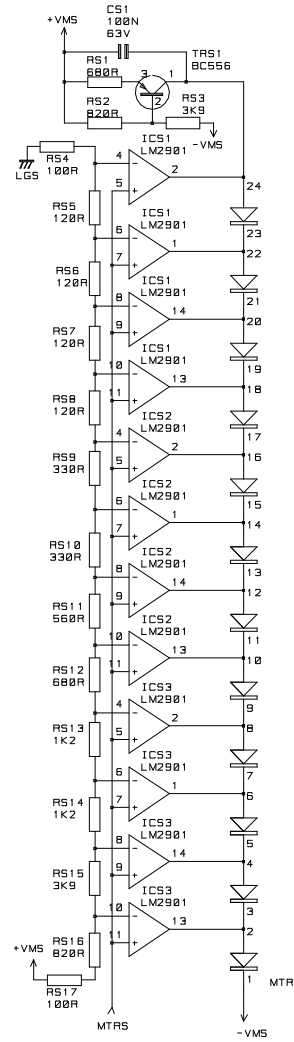
DRN. MG
 AG3627

ALLEN & HEATH
 KERNICK INDUSTRIAL EST
 PENRYN
 CORNWALL
 TR10 SLU
 TEL: 01326 372070
 FAX: 01326 377097

TITLE
 WIZARD 20: S
 MASTER LEFT PCB

DRG NO. 3627

SHT. 1 OF 2



ALLEN & HEATH
 COPYRIGHT OF THIS DRAWING
 WHICH IS NOT TO BE COPIED,
 REPRODUCED OR DISCLOSED, IN PART
 OR IN WHOLE TO A THIRD PARTY
 WITHOUT WRITTEN PERMISSION.

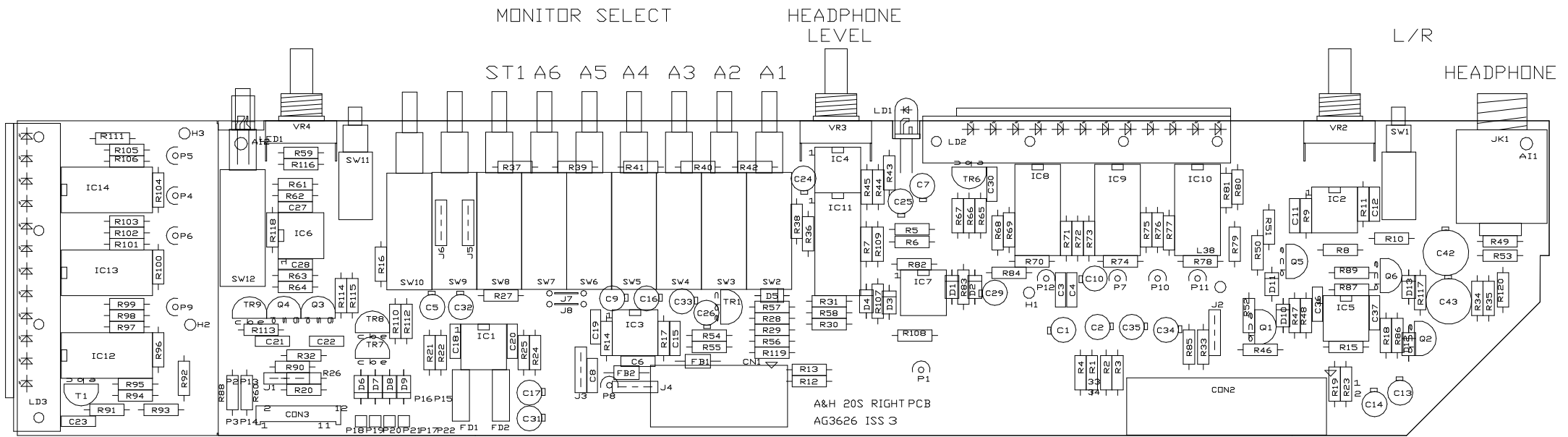
NOTES

DRN. MG
 AG3627

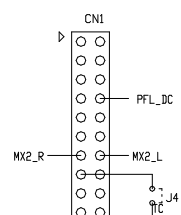
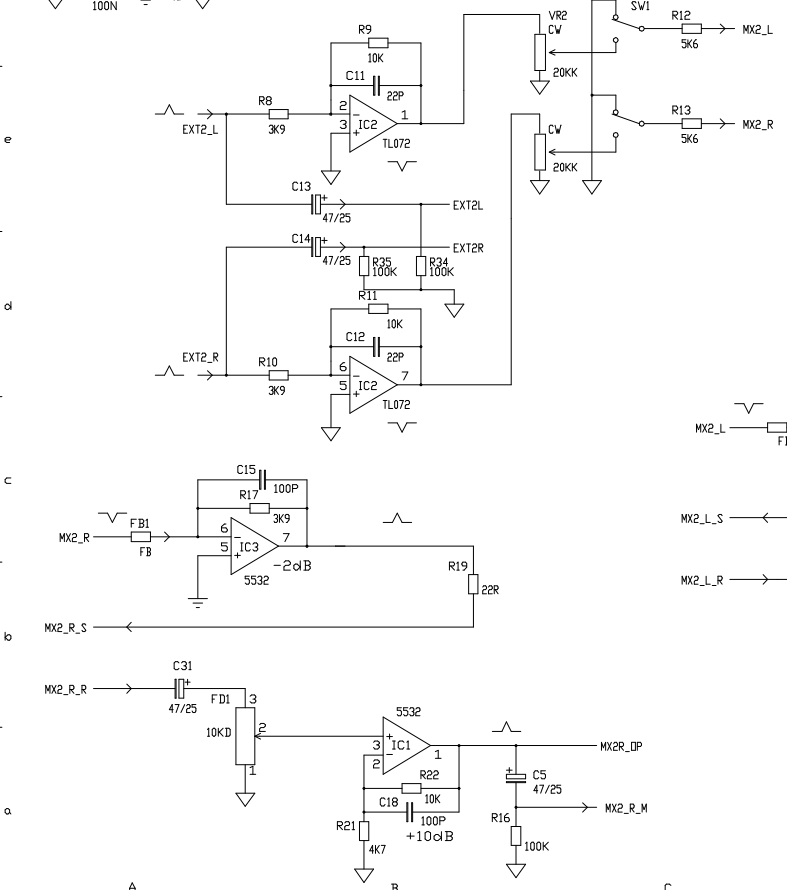
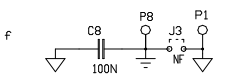
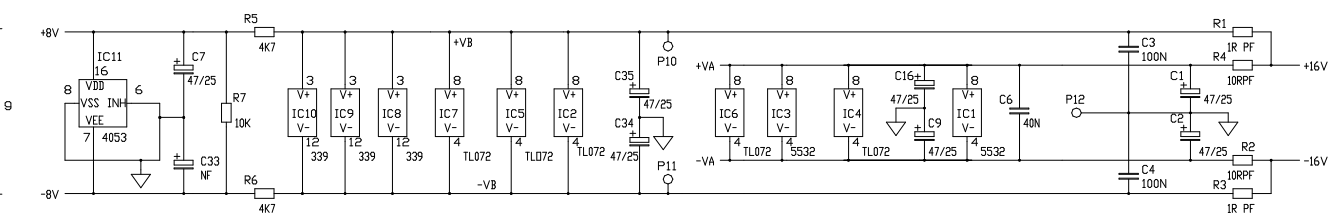
ALLEN & HEATH
 KERNICK INDUSTRIAL EST
 PENRYN
 CORNWALL
 TR10 9LU
 TEL: 01326 372070
 FAX: 01326 377097

TITLE WIZARD 20:S
 MASTER LEFT PCB

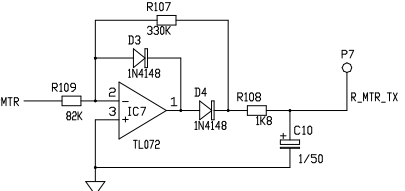
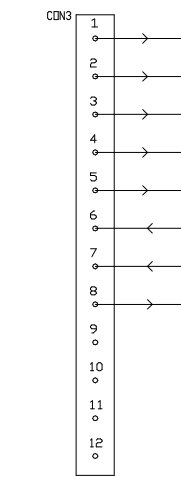
DRG NO. 3627



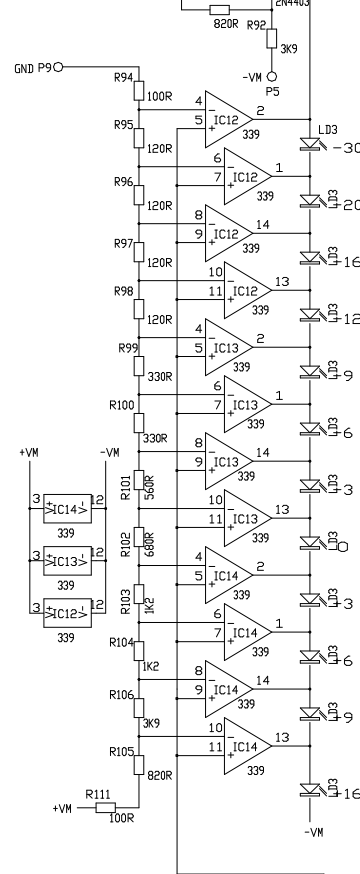
POWER SUPPLY FILTERING



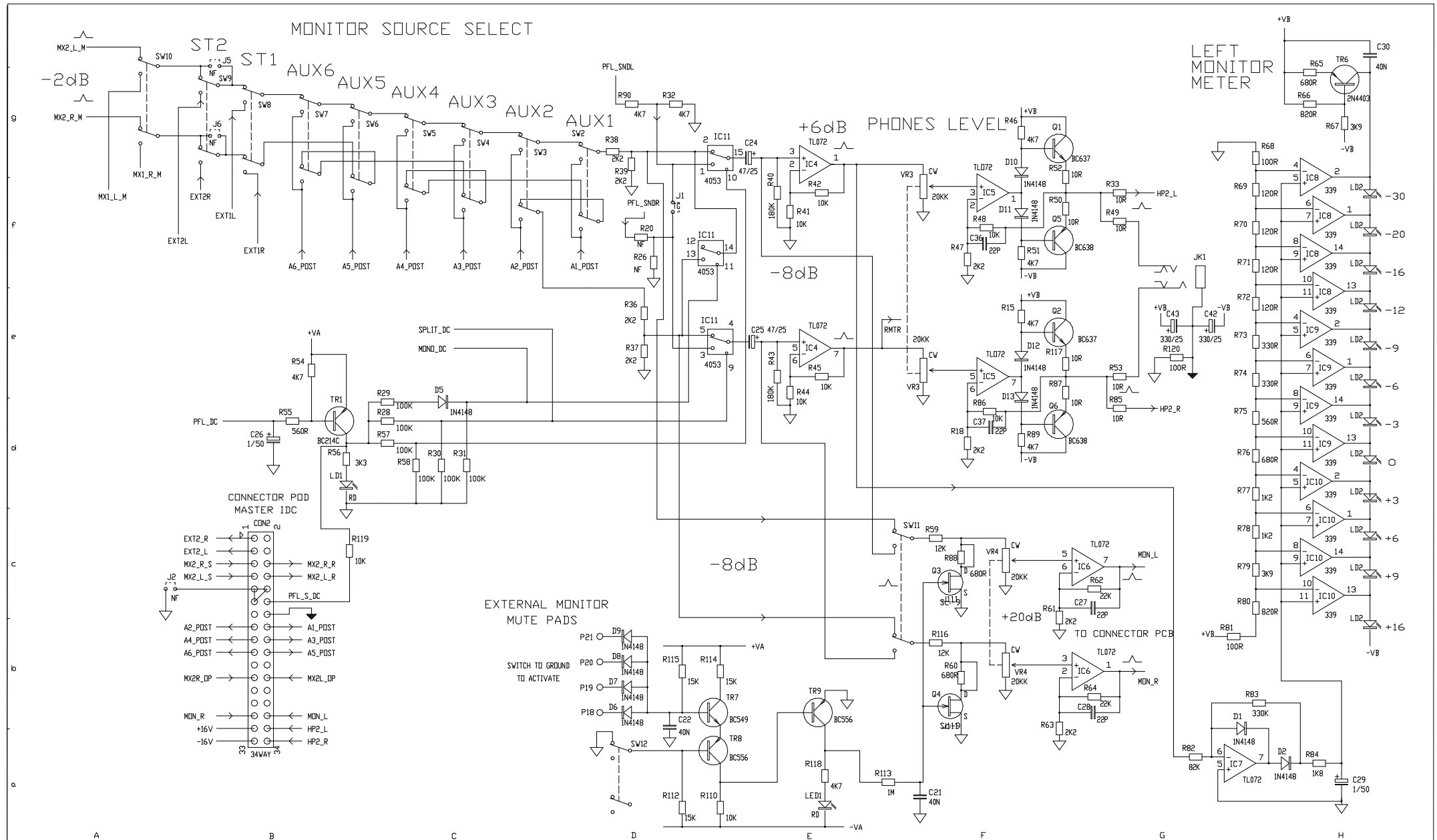
FLEXI LINK TO LEFT PCB



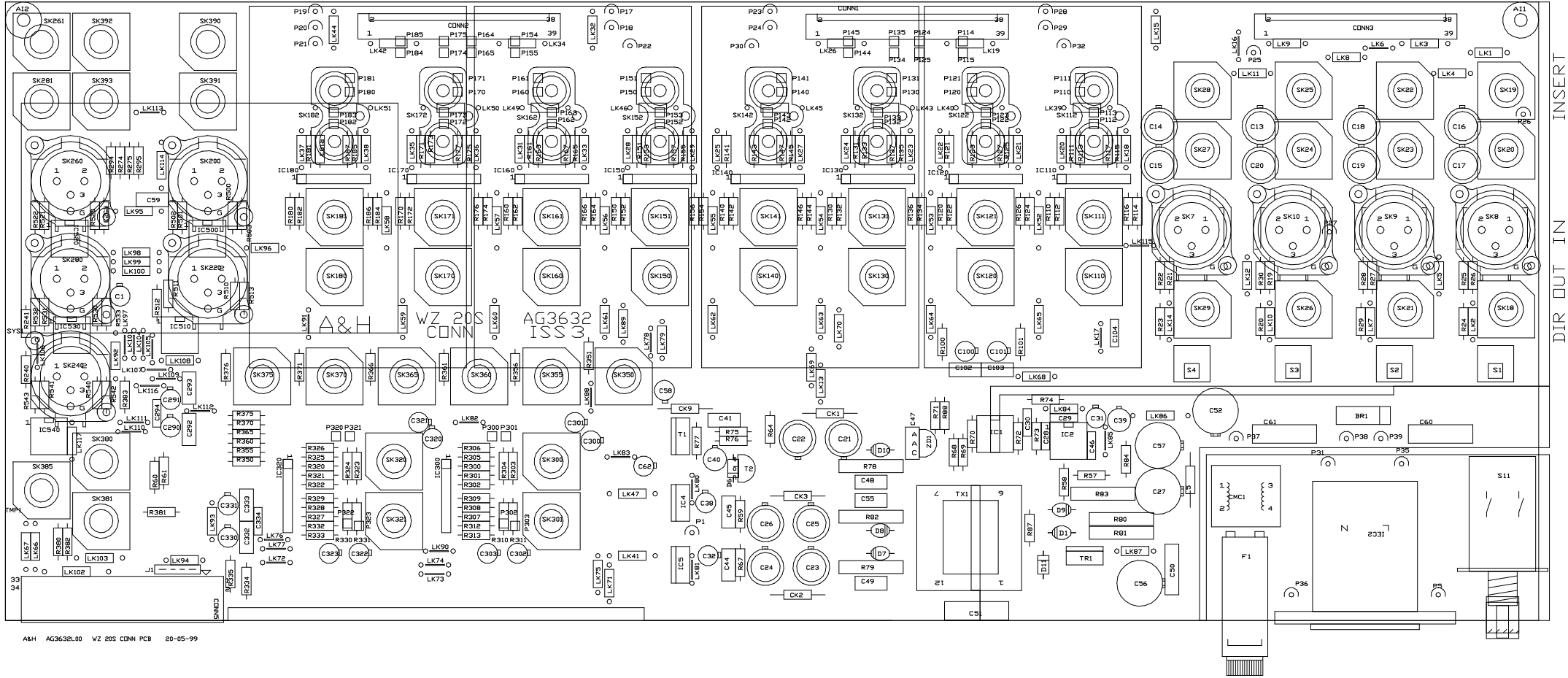
RIGHT MONITOR METER

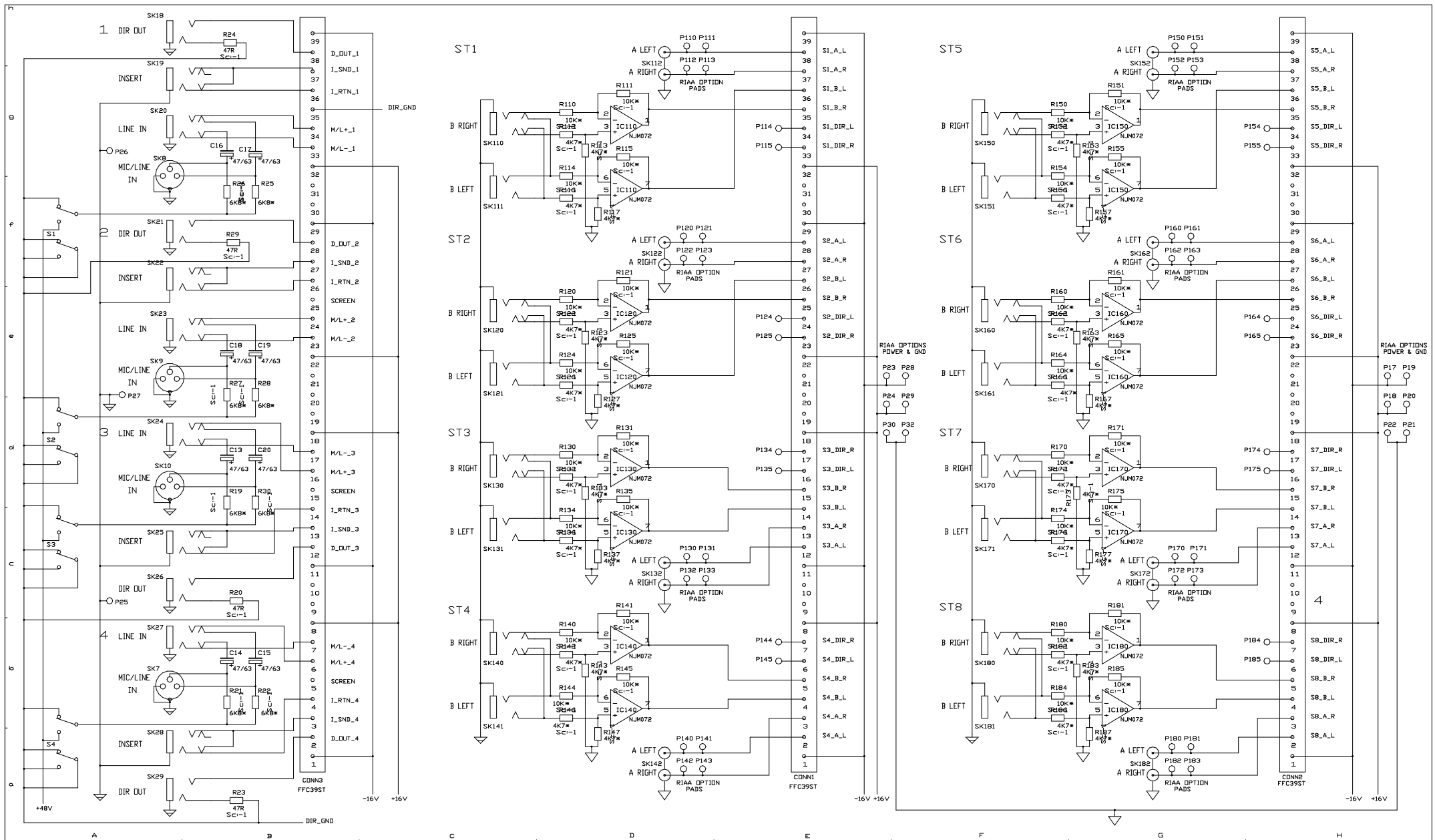


| ISS. | REVISION | BY DATE | NOTES | UNIT TITLE | MANUFACTURED IN ENGLAND BY |
|------|--|---|--|--------------------|----------------------------|
| 1 | PRODUCTION HEADPHONE GRND METER GROUND | AAT21-05-99 ARJ 18-8-99 AAT10-11-99 | 1. RESISTORS MARKED * ARE 1% ALL OTHERS ARE SZ 1/4W UNLESS OTHERWISE MARKED 2. ELECTROLYTIC CAPACITORS ARE 25V/50V | STEREO/CLUB WIZARD | ALLEN & HEATH |
| | | | | DRAWING TITLE | DRAWING No. |
| | | | | RIGHT PCB | ISSUE |
| | | | | PCB TYPE AG3626 | 3 |
| | | | | | A2 |



| | | | | | |
|------------------|----------------|-------------|--|--------------------|----------------------------|
| ISS. 1 301 | REVISION | BY DATE | NOTES | UNIT TITLE | MANUFACTURED IN ENGLAND BY |
| | PRODUCTION | AAT21-05-99 | 1. RESISTORS MARKED * ARE 1% ALL OTHERS ARE SZ 1/4W UNLESS OTHERWISE MARKED | STEREO/CLUB WIZARD | ALLEN & HEATH |
| | HEADPHONE GRND | ARJ 18-8-99 | 2. ELECTROLYTIC CAPACITORS ARE 2% VOLTS | PAGE 2 OF 2 | |
| METER GROUND | AAT10-11-99 | | | DRAWING TITLE | DRAWING No. C3626 ISSUE 3 |
| | | | | RIGHT PCB | |
| | | | | PCB TYPE AG3626 | A2 |





| ISS. | REVISION | BY DATE | NOTES |
|------|-------------------|-------------|--|
| 1 | PRODUCTION | AAT20-05-99 | 1. RESISTORS MARKED * ARE 1% ALL OTHERS ARE SZ 1/4W UNLESS OTHERWISE MARKED |
| 2 | EARTH PAD ADDED | AAT30-06-99 | |
| 2.1 | NOISE PERFORMANCE | DWD27-07-99 | 2. ELECTROLYTIC CAPACITORS ARE 1%VOLT |
| 3 | TRACK CUT MOD. | DWD26-08-99 | |

UNIT TITLE
WIZARD 20 S

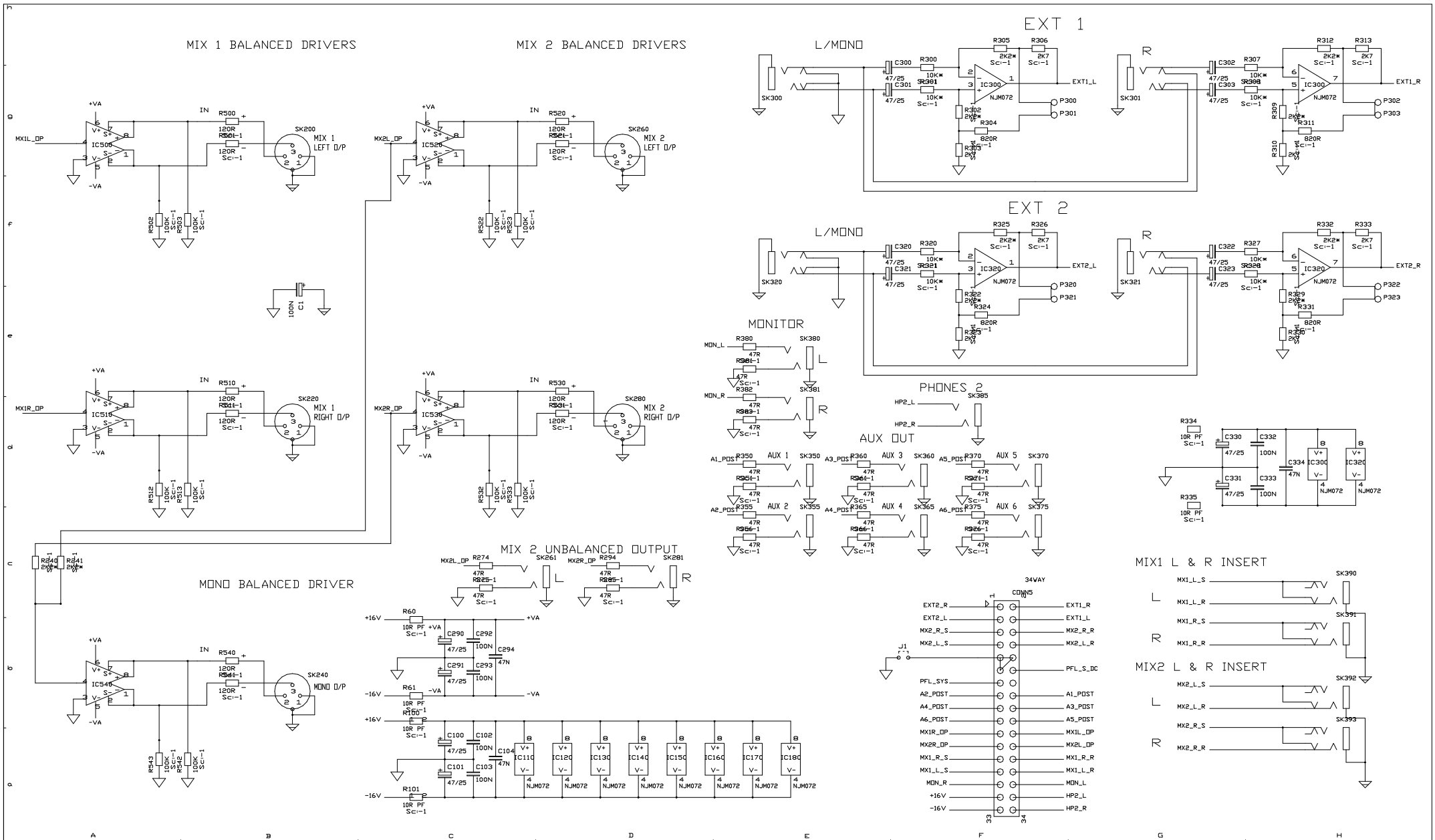
DRAWING TITLE
CONNECTOR PCB

PCB AG3401

ALLEN & HEATH
 KERNICK INDUSTRIAL ESTATE
 PENRYN
 CORNWALL
 ENGLAND TR10 9LU

TEL. (44) (0) 1326 372070
 FAX. (44) (0) 1326 377097

DRAWING No. **C3632** ISSUE **3** **A2**



| ISS. | REVISION | BY | DATE | NOTES |
|------|-------------------|-------|-------|-------|
| 1 | PRODUCTION | AAT20 | 05-99 | |
| 2 | EARTH PAD ADDED | AAT30 | 06-99 | |
| 2.1 | NOISE PERFORMANCE | DWD27 | 07-99 | |
| 3 | TRACK CUT MOD. | DWD26 | 08-99 | |

1. RESISTORS MARKED * ARE 1%
ALL OTHERS ARE SZ 1/4W UNLESS OTHERWISE MARKED

2. ELECTROLYTIC CAPACITORS ARE 1%VOLT

UNIT TITLE
WIZARD 20 S PAGE 2 OF 3

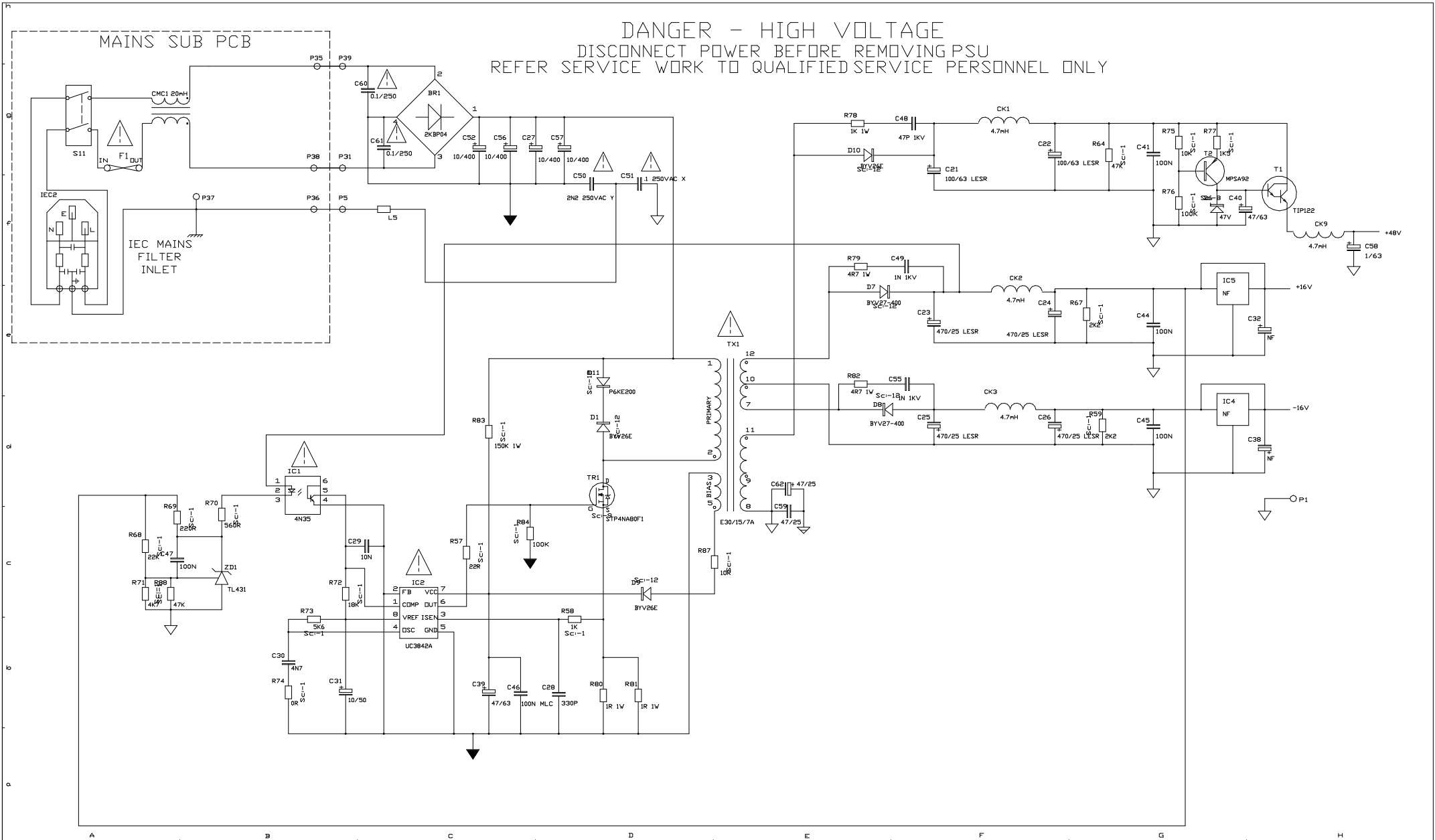
DRAWING TITLE
CONNECTOR PCB PCB AG3401

ALLEN & HEATH
 KERNICK INDUSTRIAL ESTATE
 PENRYN
 CORNWALL
 ENGLAND TRIO 9LU

TEL. (44) (0) 1326 372070
 FAX. (44) (0) 1326 377097

DRAWING No. **C3632** ISSUE **3** **A2**

DANGER - HIGH VOLTAGE
 DISCONNECT POWER BEFORE REMOVING PSU
 REFER SERVICE WORK TO QUALIFIED SERVICE PERSONNEL ONLY



| ISS. | REVISION | BY DATE | NOTES |
|------|-------------------|-------------|--|
| 1 | PRODUCTION | AAT20-05-99 | 1. RESISTORS MARKED * ARE 1% ALL OTHERS ARE SZ 1/4W UNLESS OTHERWISE MARKED |
| 2 | EARTH PAD ADDED | AAT30-06-99 | |
| 2.1 | NOISE PERFORMANCE | DWD27-07-99 | |
| 3 | TRACK CUT MOD. | DWD26-08-99 | 2. ELECTROLYTIC CAPACITORS ARE 1%VOLTAGE |

| | | |
|---------------|---------------|-------------|
| UNIT TITLE | WIZARD 20 S | PAGE 3 OF 3 |
| DRAWING TITLE | CONNECTOR PCB | |
| | PCB AG3401 | |

| | | |
|--|--|--|
| ALLEN & HEATH KERNICK INDUSTRIAL ESTATE PENRYN CORNWALL ENGLAND TR10 9LU | | TEL. (44) (0) 1326 372070 FAX. (44) (0) 1326 377097 |
| DRAWING No. C3632 | | ISSUE 3 |