

# ALLEN & HEATH



## **WARNING – HIGH VOLTAGES**

Power Supply Unit (PSU) work should only be carried out by qualified personnel.

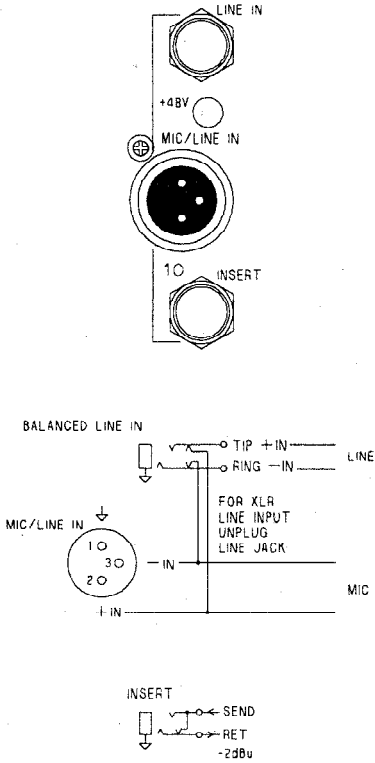
We recommend that you use an approved Allen & Heath service centre for all power supply work.

Please contact your local Allen & Heath distributor for more details.

<http://www.allen-heath.com/>

# INPUT CHANNEL

\* = GL2-S

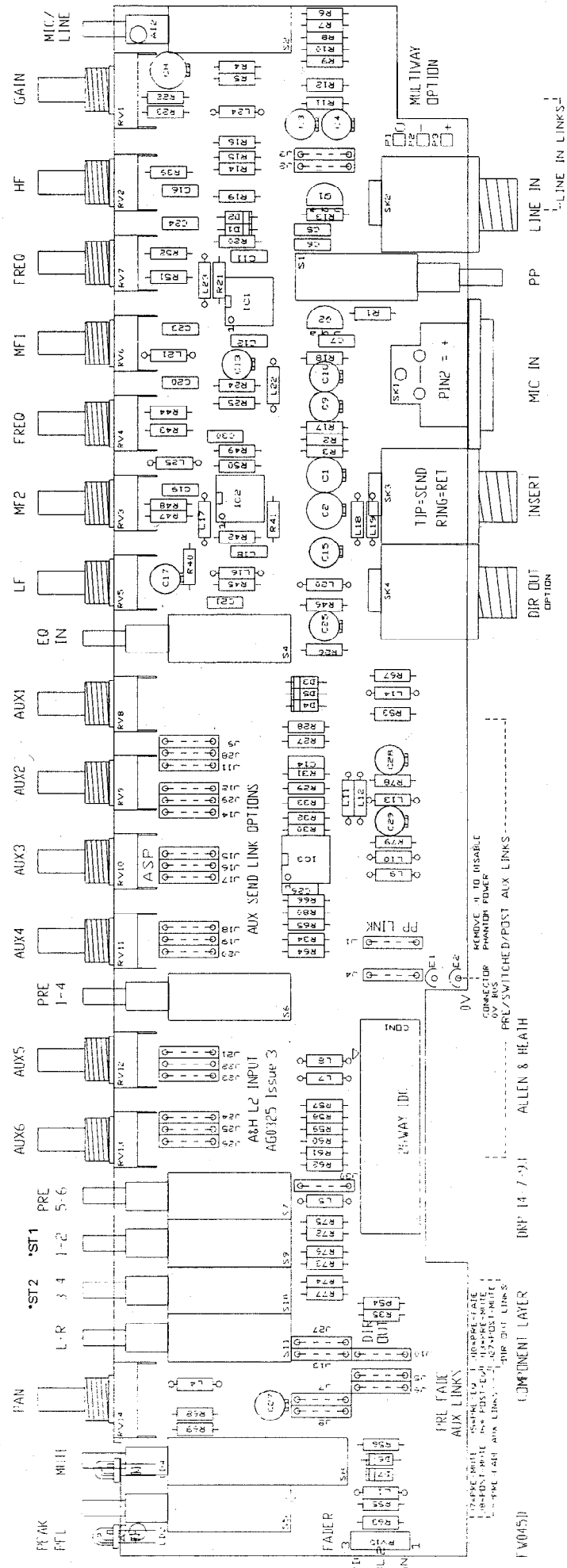


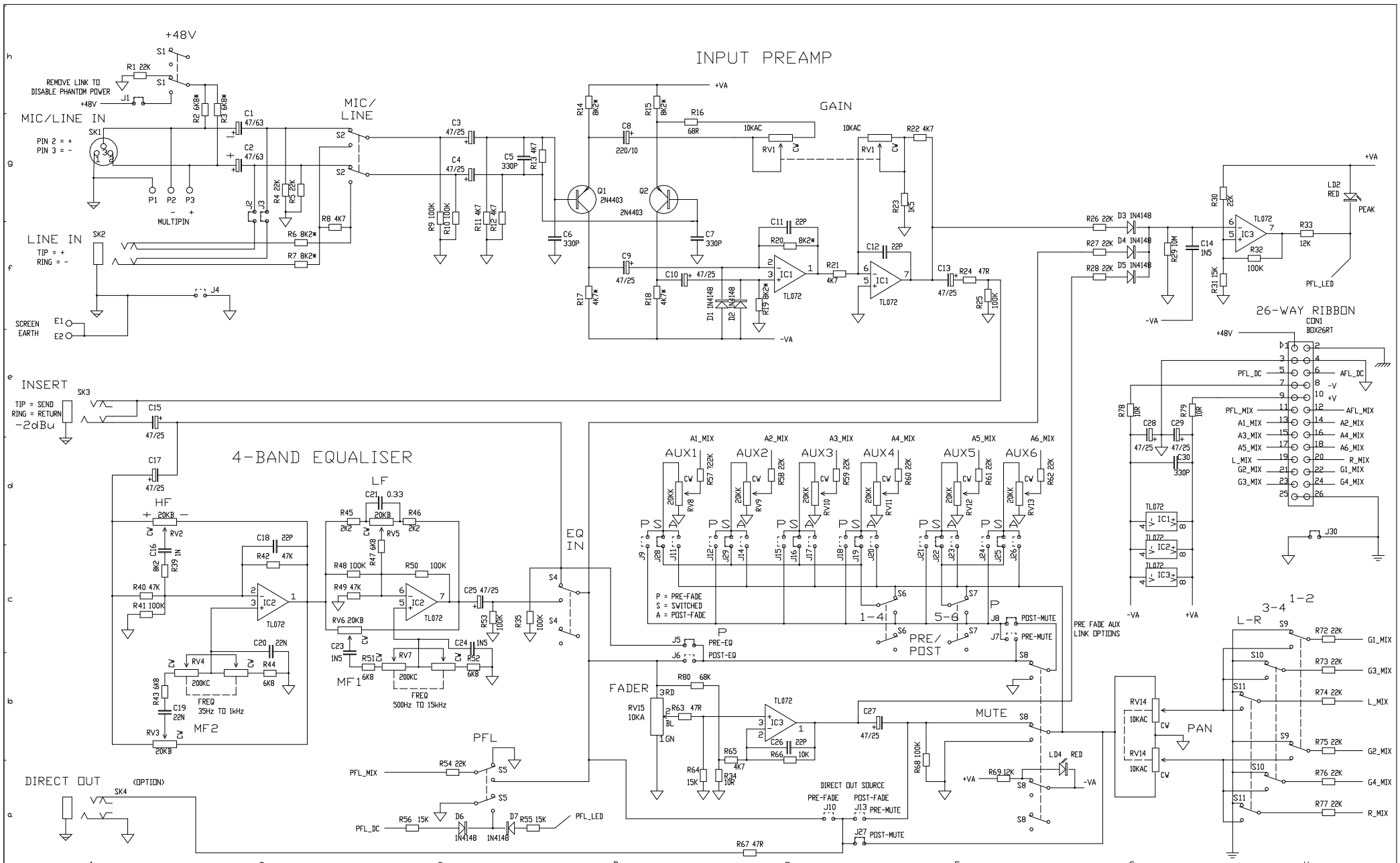
10

Vertical control panel features:

- GAIN:** Knob with MIC and LINE settings.
- HF FREQ:** Knob with 14, 20, 30, 50, 100, 200, 500, 1000 Hz markings.
- MF1 FREQ:** Knob with 14, 20, 30, 50, 100, 200, 500, 1000 Hz markings.
- LF FREQ:** Knob with 14, 20, 30, 50, 100, 200, 500, 1000 Hz markings.
- AUX 1-6:** Six rotary switches for auxiliary inputs.
- POST PRE:** Two switches for post-pre processing.
- \*ST1, \*ST2:** Two stereo selector switches.
- PAN:** Knob for panning between L and R.
- MUTE, PFL, PEAK:** Three indicator lights.
- Level meters:** Two meters with 0, 10, 20, 30, 40, 50, 60, 70, 80, 90, 100 dB markings.

10





ISS.	REVISION	BY	DATE	NOTES
P1	ORIGIN	CD	12-5-93	1. RESISTORS MARKED * ARE 1% ALL OTHERS ARE 5% 1/4W UNLESS OTHERWISE MARKED
1		DRP	21-7-93	2. ELECTROLYTIC CAPACITORS ARE 16V/VOLTS

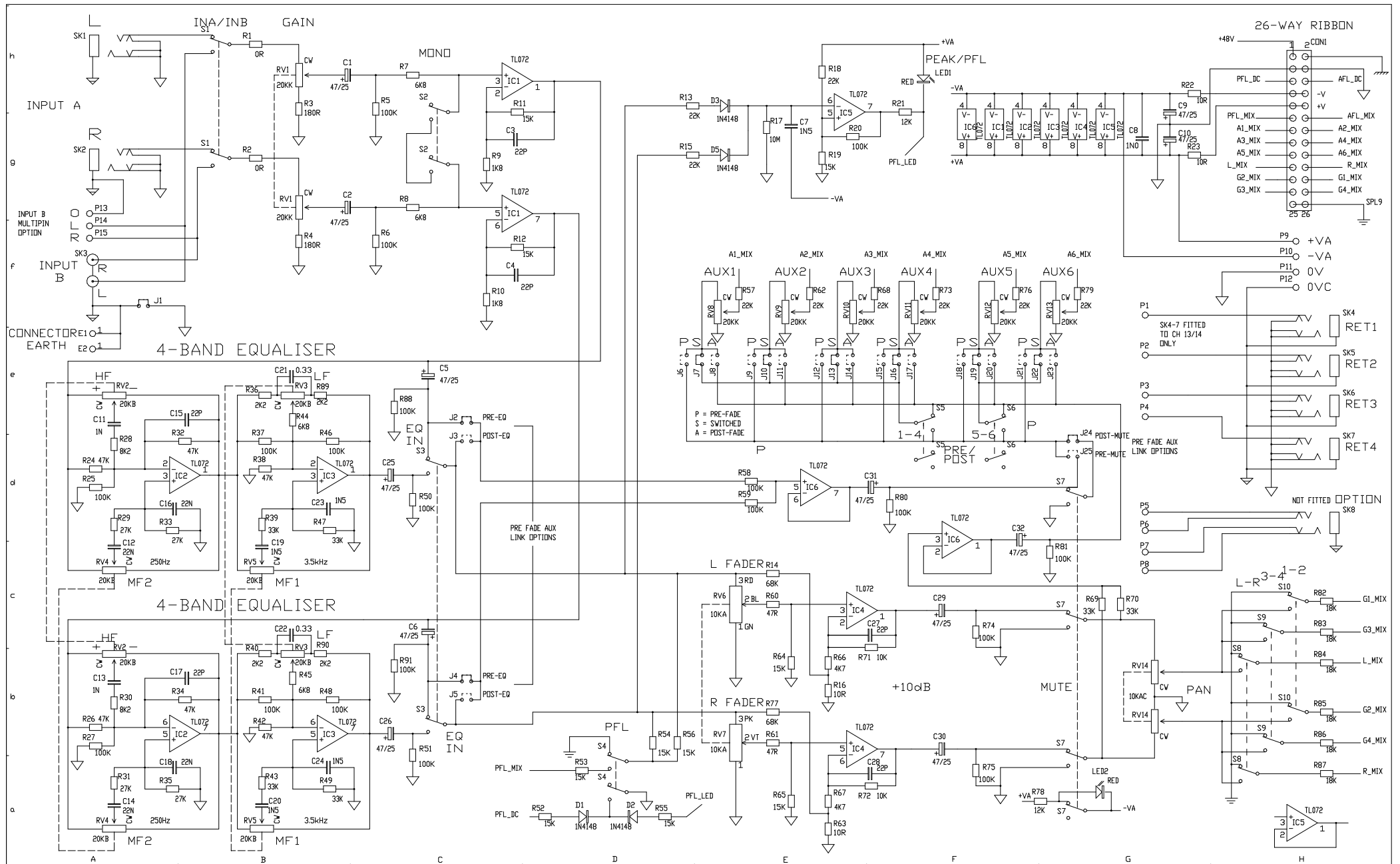
UNIT TITLE  
GL2

DRAWING TITLE  
INPUT CIRCUIT DIAGRAM  
PCB TYPE AG0325

MANUFACTURED IN ENGLAND BY  
ALLEN & HEATH

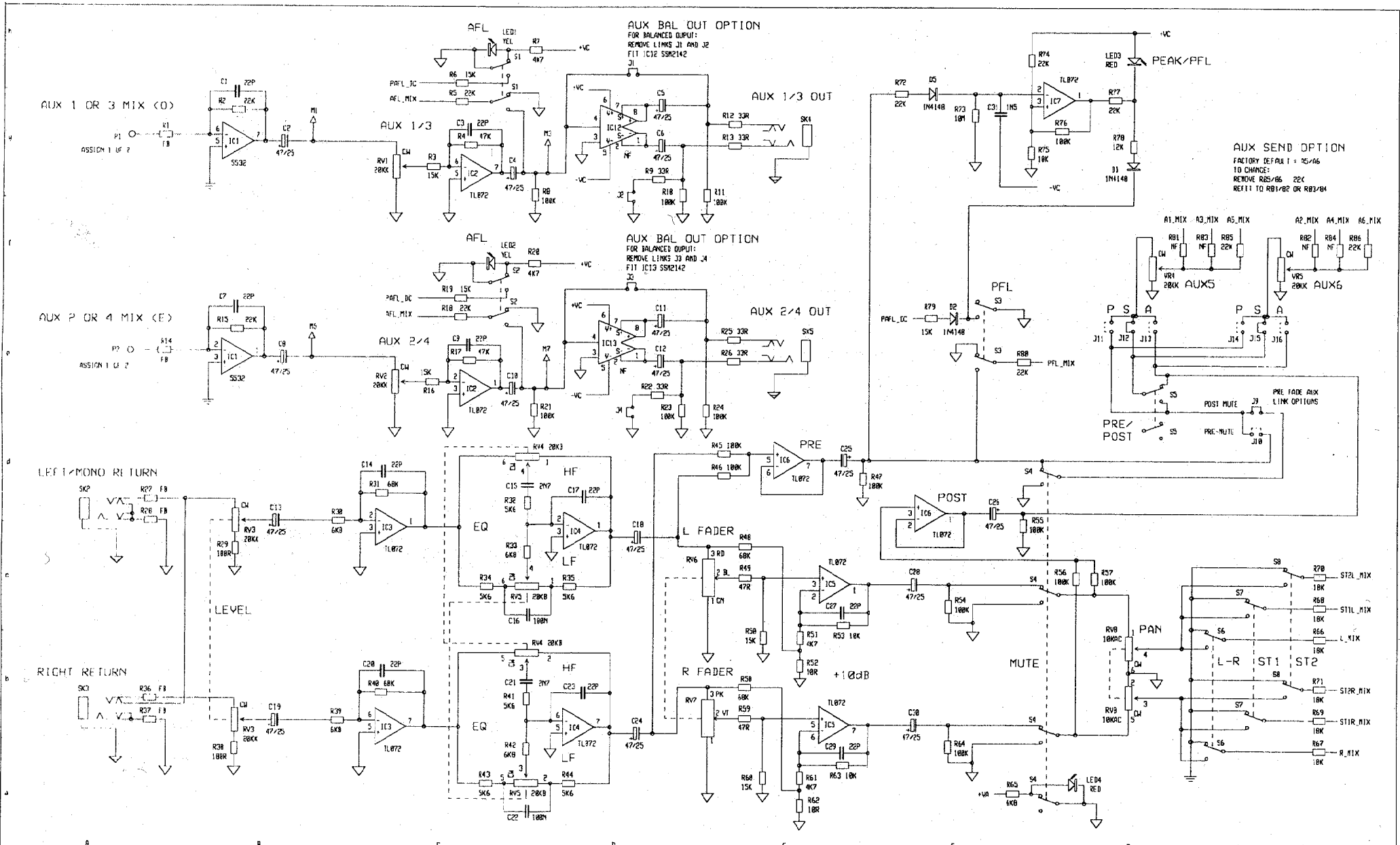
DRAWING No. D222 ISSUE 1





ISS.	REVISION	BY DATE	NOTES	UNIT TITLE	MANUFACTURED IN ENGLAND BY
P1 1	ORIGIN	DRP 2-6-93 DRP21-7-93	1. RESISTORS MARKED * ARE 1% ALL OTHERS ARE 5% 1/4W UNLESS OTHERWISE MARKED 2. ELECTROLYTIC CAPACITORS ARE 16V/VOLTS	GL2 STEREO CIRCUIT DIAGRAM PCB TYPE AG0326	ALLEN & HEATH DRAWING No. D223 ISSUE 1





ISS.	REVISION	BY	DATE	NOTES
A	ORIGIN PRODUCTION	ARJ/DLP	22/6/95	
1		DLP	26/7/95	

NOTES

- RESISTORS MARKED \* ARE 1% ALL OTHERS ARE 5% 1/4W UNLESS OTHERWISE MARKED
- ELECTROLYTIC CAPACITORS ARE µF/VOLTS

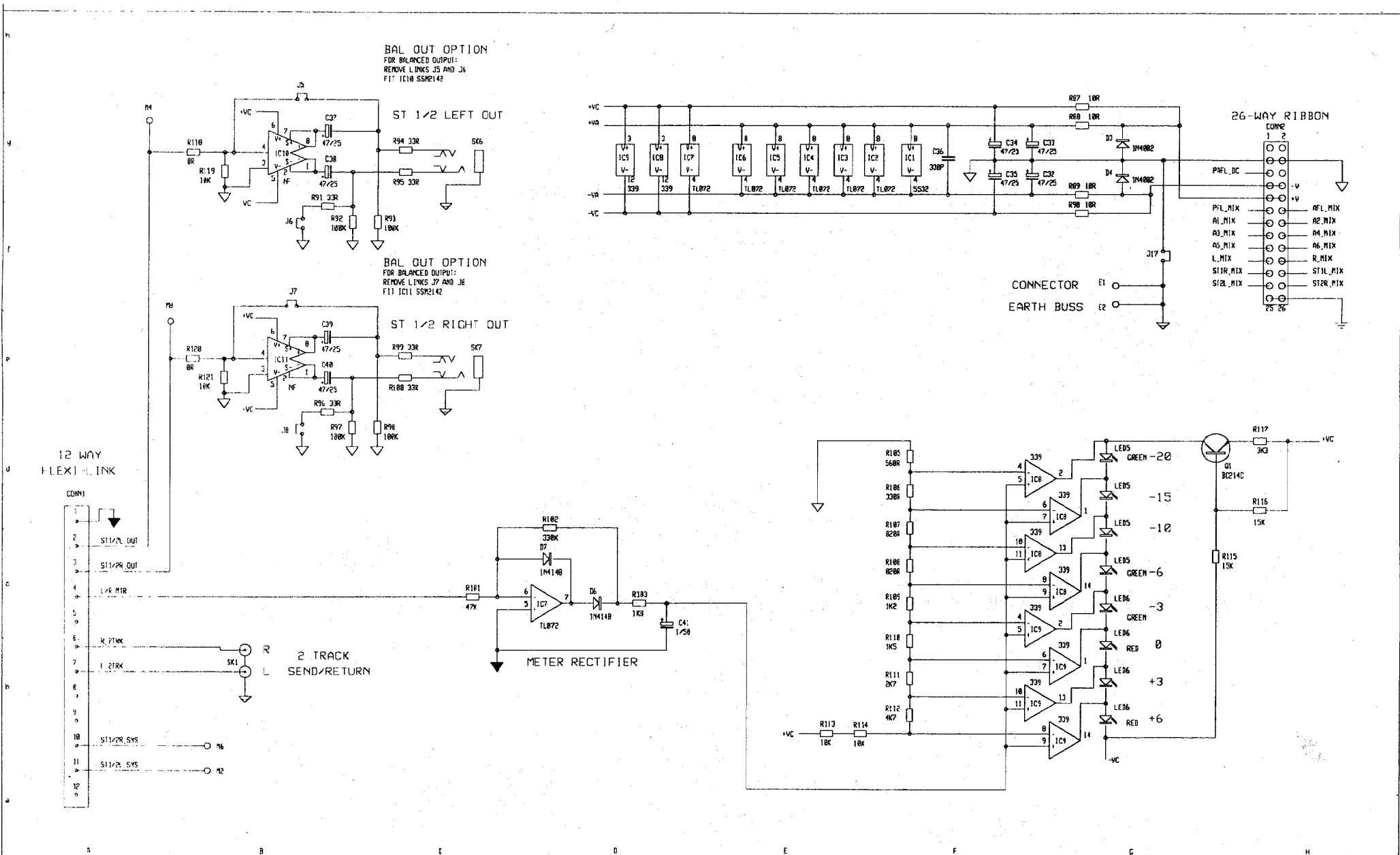
UNIT TITLE: GL2S SHEET 1 OF 2

DRAWING TITLE: RETURN CIRCUIT DIAGRAM  
PCB TYPE AG2322

MANUFACTURED IN ENGLAND BY

ALLEN & HEATH

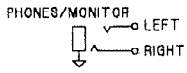
DRAWING No. C2322 ISSUE 1



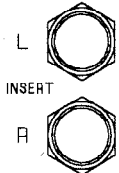
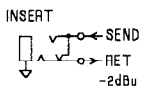
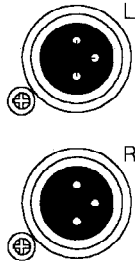
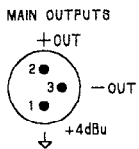
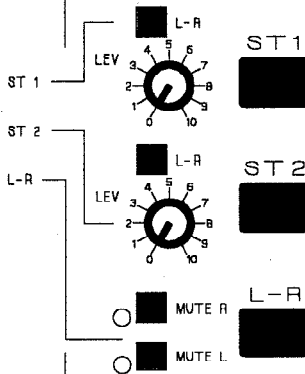
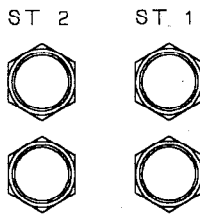
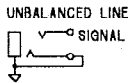
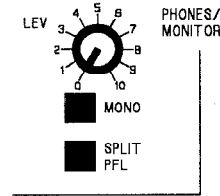
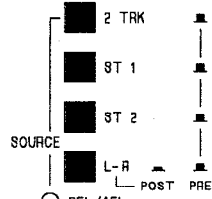
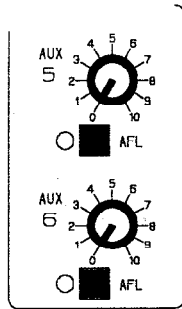
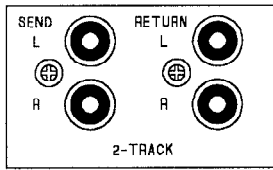
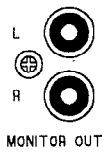
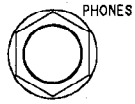
ISS.	REVISION	BY	DATE	NOTES	UNIT TITLE	MANUFACTURED IN ENGLAND BY
A	ORIGIN PRODUCTION	ARJ/DLP DLP	22/6/95 26/7/95	1. RESISTORS MARKED # ARE 1% ALL OTHERS ARE 5% 1/4W UNLESS OTHERWISE MARKED 2. ELECTROLYTIC CAPACITORS ARE 50V/10V	GL2S SHEET 2 OF 2	ALLEN & HEATH
1					RETURN CIRCUIT DIAGRAM PCB TYPE AG2322	DRAWING No. C2322 ISSUE 1

A2

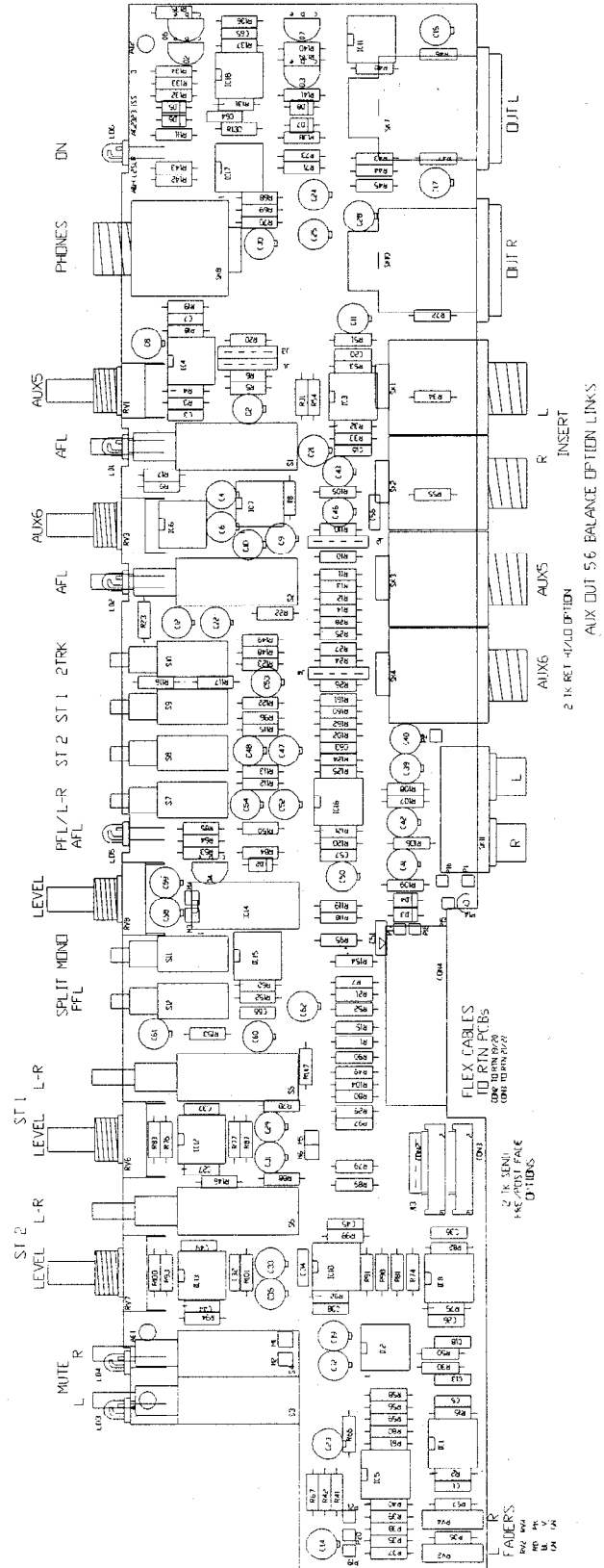
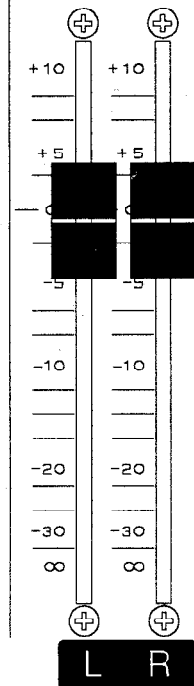


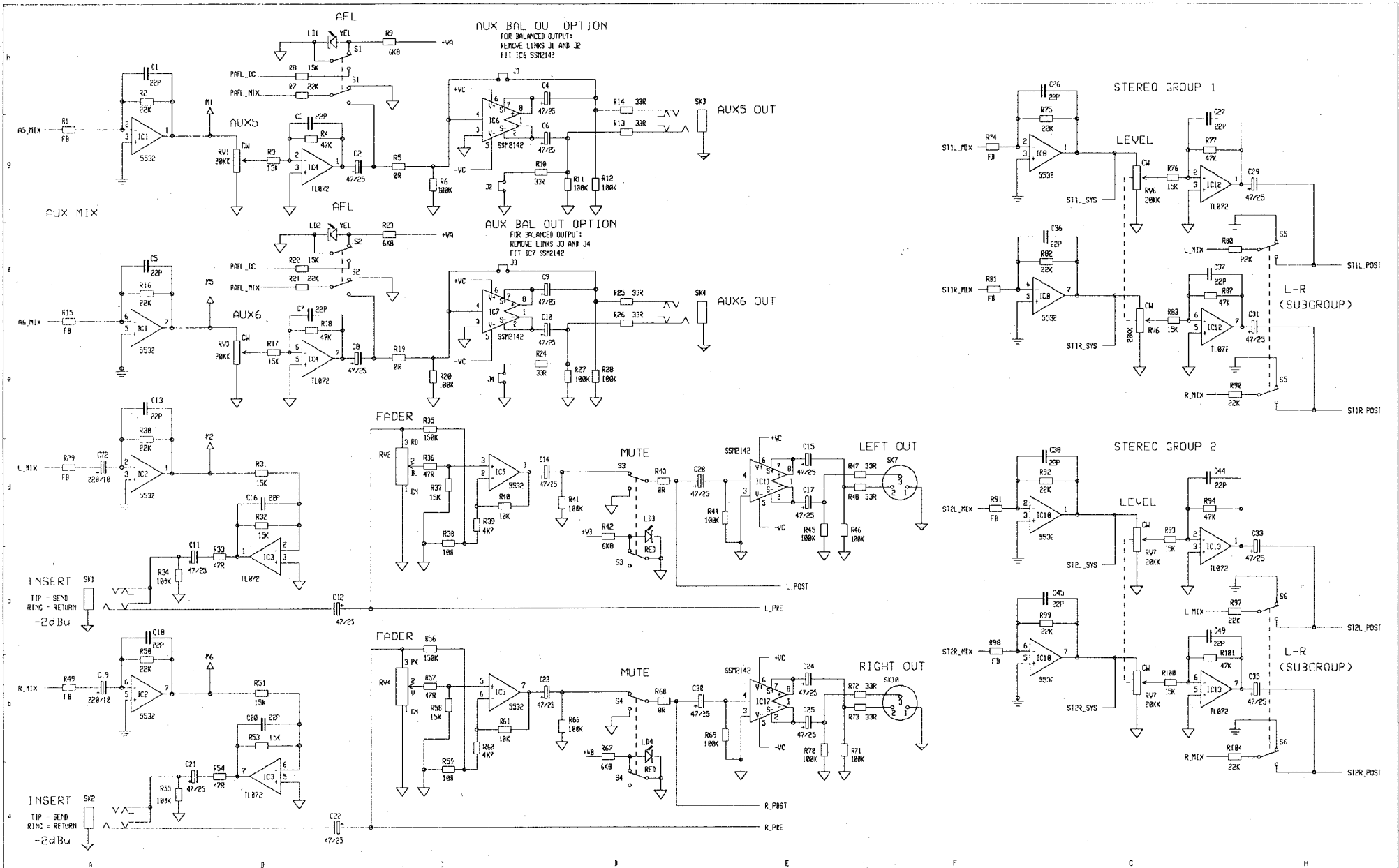


ON



# LR SECTION GL2-S ONLY



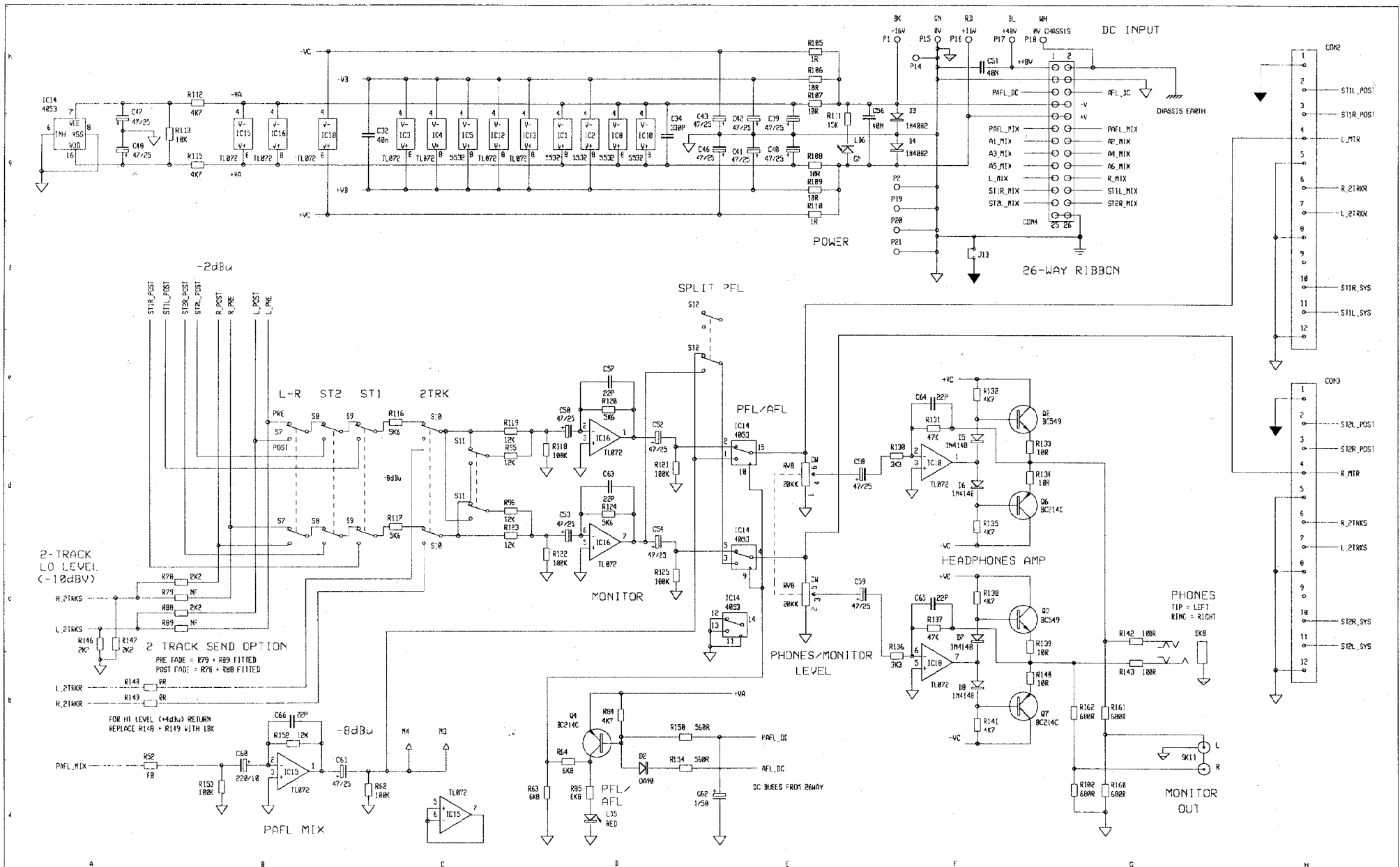


ISS.	REVISION	BY DATE	NOTES
P1	ORIGIN	ARJ 29-6-95	1. RESISTORS MARKED * ARE 1% ALL OTHERS ARE 5% 1/4W UNLESS OTHERWISE MARKED 2. ELECTROLYTIC CAPACITORS ARE 50V/VOLTS
P2	UPDATES	DLP 26/7/95	
1	PRODUCTION	DLP 14/8/95	

UNIT TITLE	MANUFACTURED IN ENGLAND BY
GL2S SHEET 1 OF 2	ALLEN & HEATH

DRAWING TITLE	LR CIRCUIT DIAGRAM
PCB TYPE	AG2323

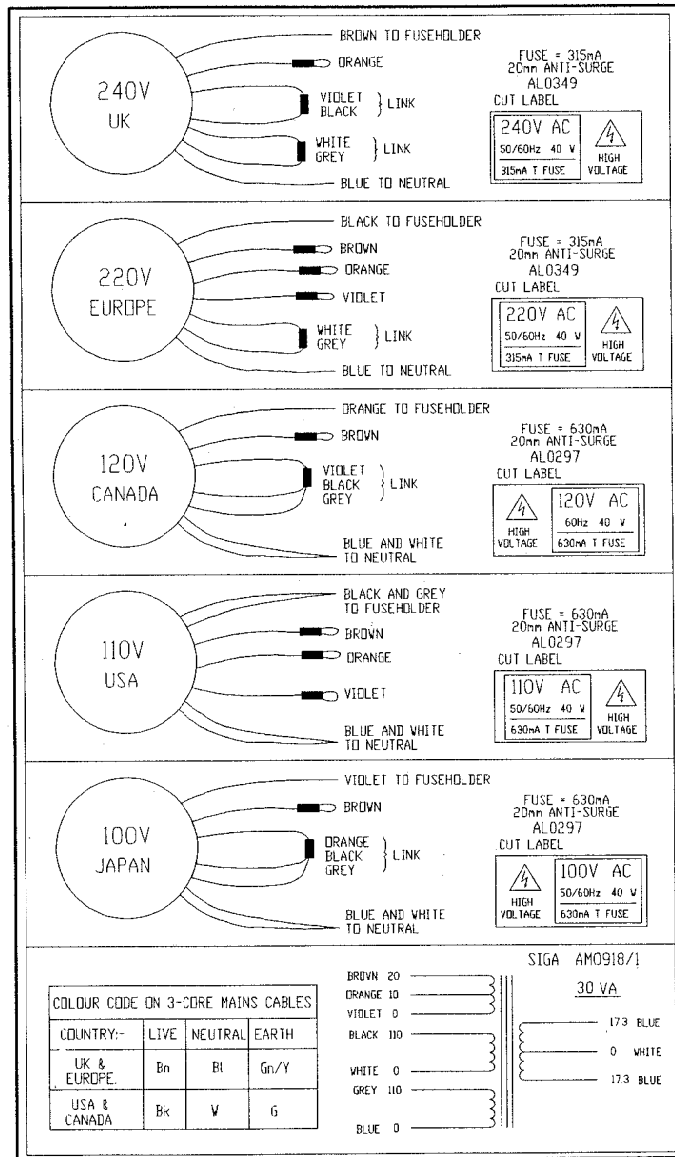
DRAWING No.	C2323	ISSUE	1
			A2



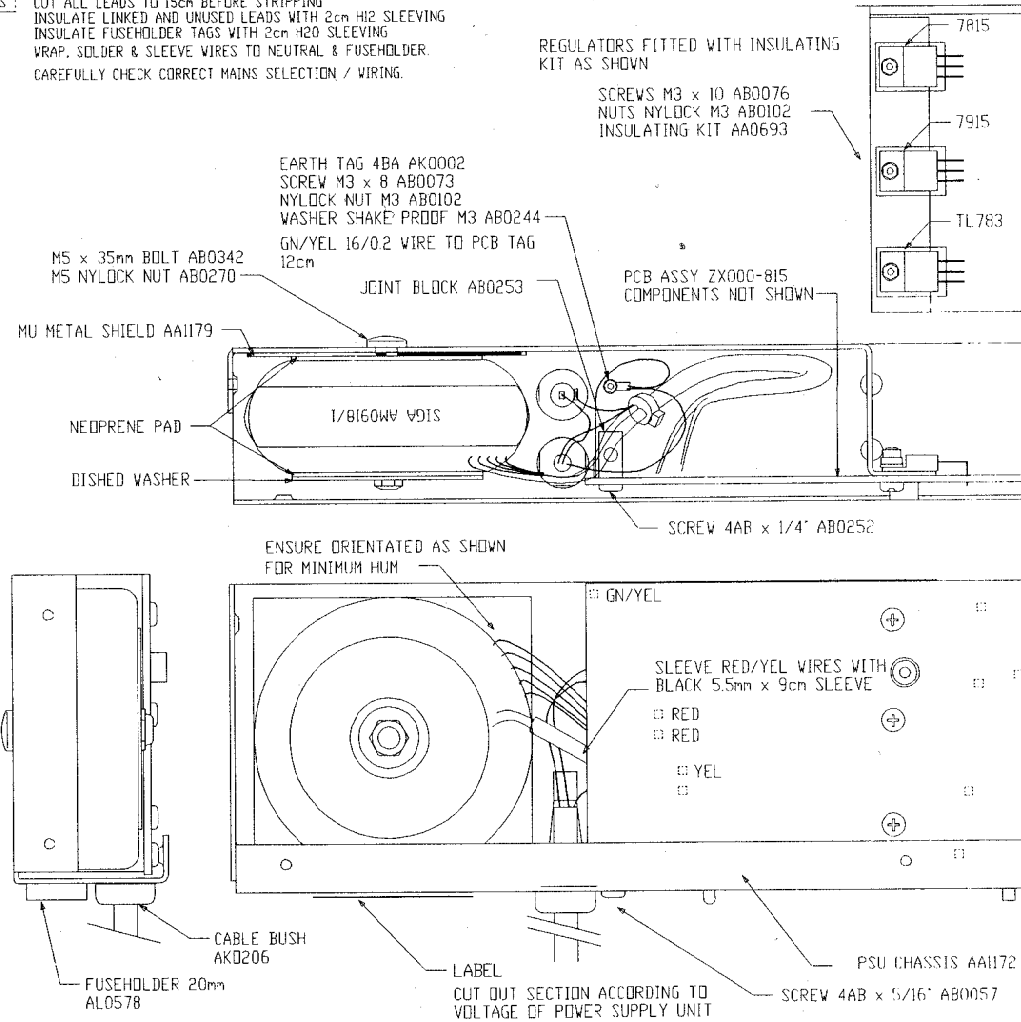
ISS.	REVISION	BY DATE	NOTES	UNIT TITLE	MANUFACTURED IN ENGLAND BY
P1	ORIGIN	ARJ 29-6-95	1. RESISTORS MARKED $\Phi$ ARE 1% ALL OTHERS ARE 5% 1/4W UNLESS OTHERWISE MARKED	GL2S S-SHEET 2 OF 2	ALLEN & HEATH
P2	UPDATES	DLP 26/7/95	2. ELECTROLYTIC CAPACITORS ARE $\mu$ F/VOLTS	DRAWING TITLE LR CIRCUIT DIAGRAM PCB TYPE AG2323	
1	PRODUCTION	DLP 14/8/95			DRAWING No. C2323 ISSUE 1

# GL2 TRANSFORMER - MAINS WIRING

— = SLEEVED & UNCONNECTED.

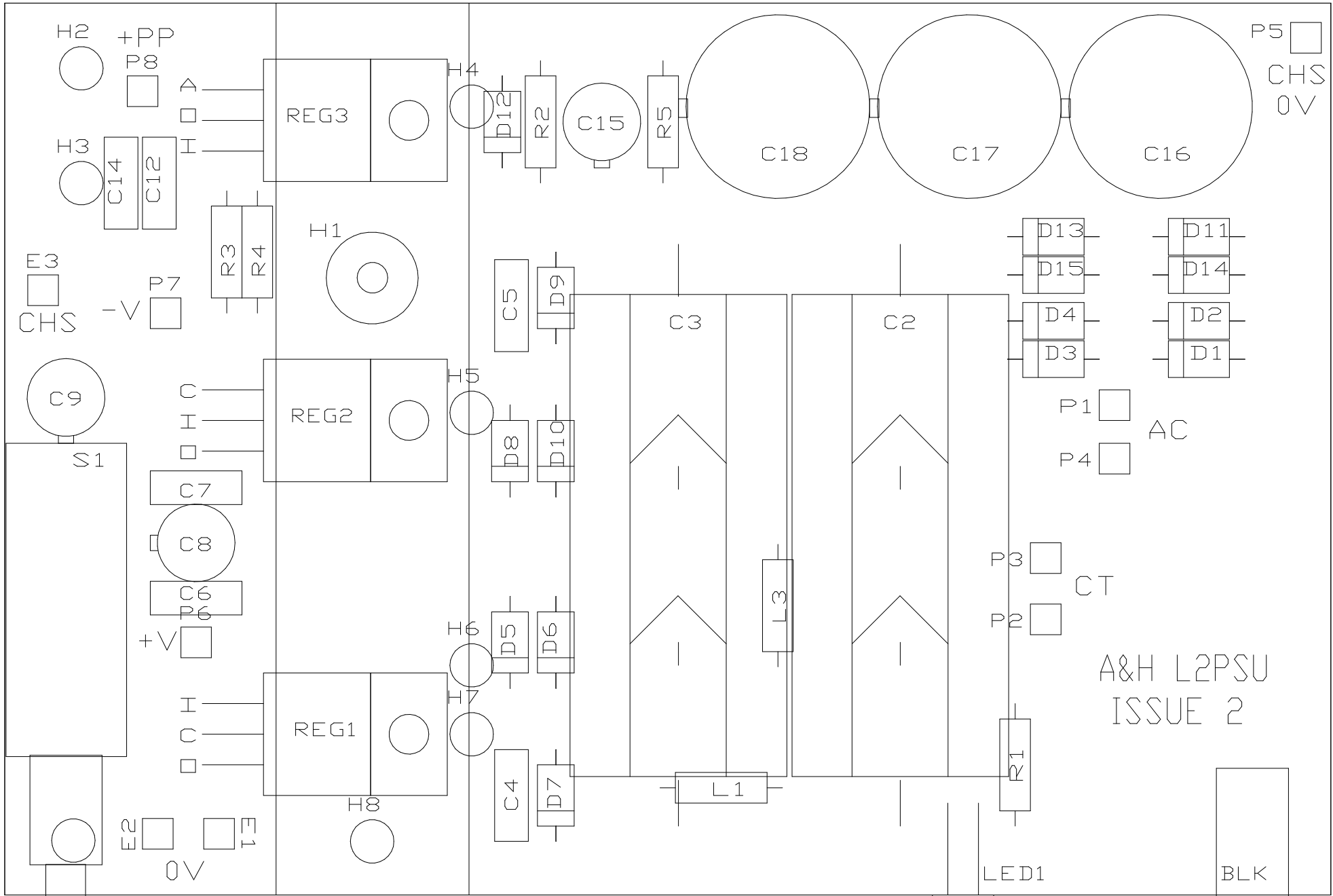


**WIRING NOTES:** CUT ALL LEADS TO 15cm BEFORE STRIPPING  
 INSULATE LINKED AND UNUSED LEADS WITH 2cm HI2 SLEEVING  
 INSULATE FUSEHOLDER TAGS WITH 2cm HI2 SLEEVING  
 WRAP, SOLDER & SLEEVE WIRES TO NEUTRAL & FUSEHOLDER.  
 CAREFULLY CHECK CORRECT MAINS SELECTION / WIRING.



ISSUE	REVISION	BY	DATE	DRAWING TITLE
1	PRODUCTION	DRP	24-9-93	GL2 PSU ASSEMBLY (SIGA AM0918 TRANSFORMER)
				ASSEMBLY NUMBERS 240V ZX000-817 110/120V ZX000-819 220V ZX000-818 100V ZX000-820

ALLEN & HEATH	ALLEN & HEATH LTD. KERNICK INDUSTRIAL ESTATE, PENRYN, CORNWALL TR10 9LU TEL 0526 372117 FAX 0526 377097
	DRAWING No D247 ISSUE 1

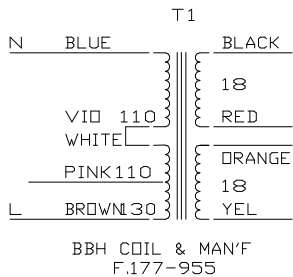


FW049

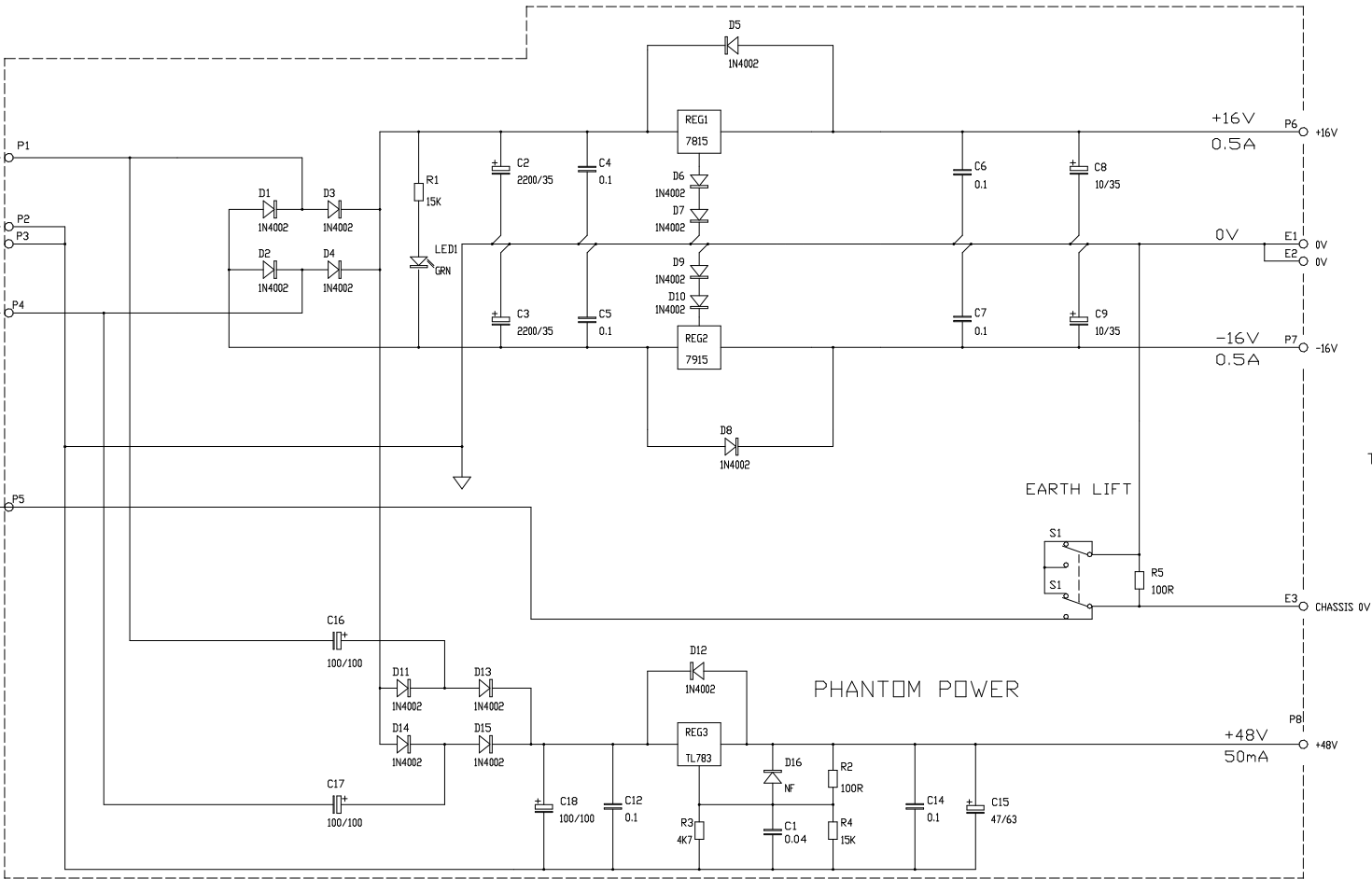
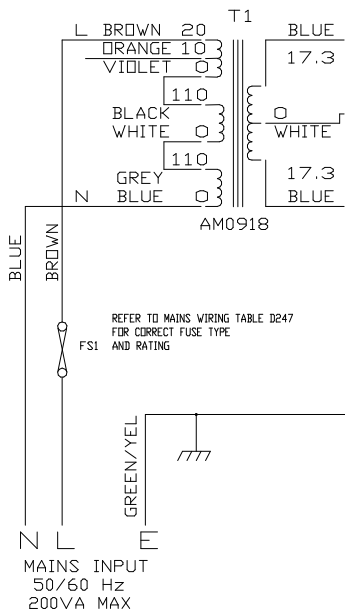
COMPONENT LAYER

ALLEN & HEATH

**DANGER - HIGH VOLTAGE !**  
 DISCONNECT POWER BEFORE REMOVING POWER SUPPLY UNIT  
 REFER SERVICE WORK TO QUALIFIED SERVICE PERSONNEL ONLY



**MAINS TRANSFORMER**  
 REFER TO DRAWING D247



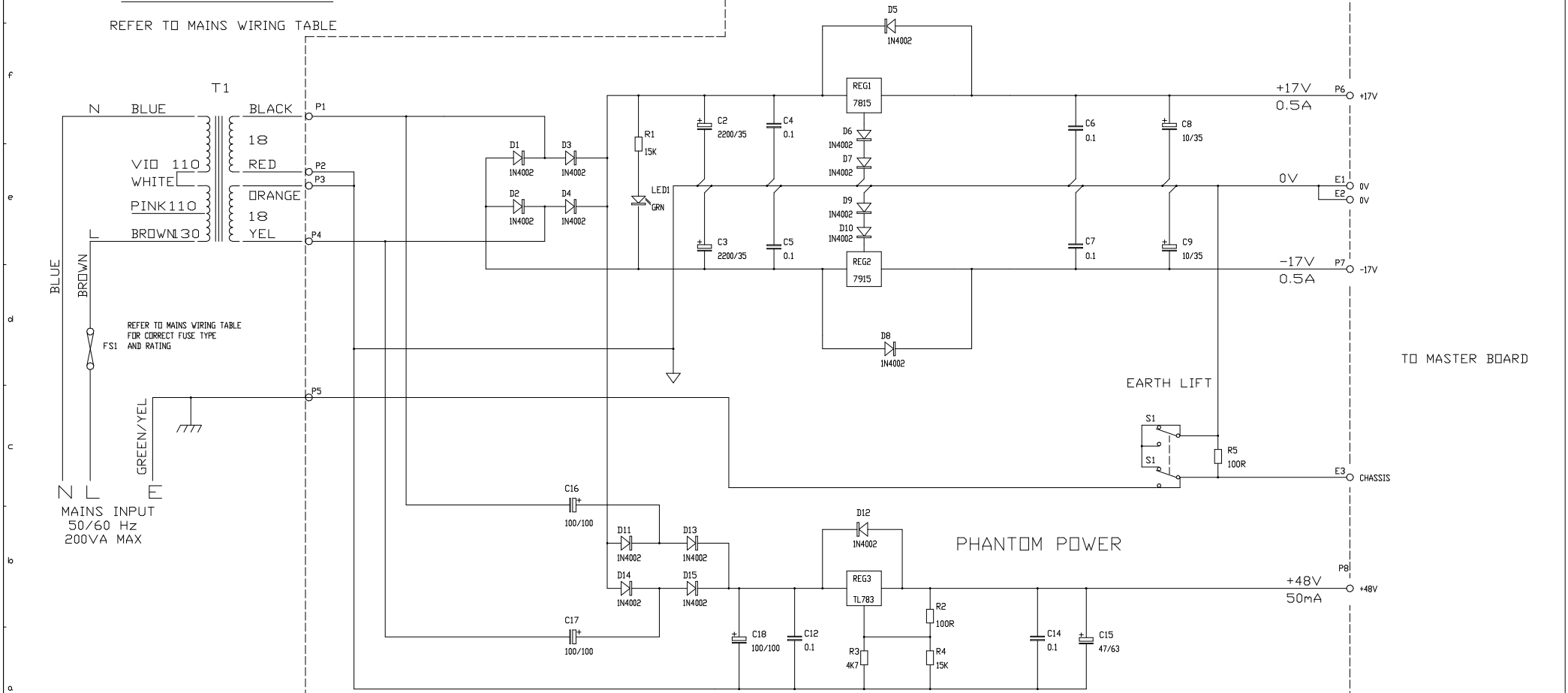
ISS.	REVISION	BY DATE	NOTES	UNIT TITLE	MANUFACTURED IN ENGLAND BY
1	ORIGIN	DRP 20-7-93	1. RESISTORS MARKED * ARE 1% ALL OTHERS ARE 5% 1/4W UNLESS OTHERWISE MARKED	GL2	ALLEN & HEATH
2	R5 100R WAS 22R T1 WIRING CHANGED	DRP 27-8-93	2. ELECTROLYTIC CAPACITORS ARE %V/VOLTS	DRAWING TITLE	DRAWING No. D226
3	D16, C1 ADDED	DRP 28-9-93	3. REG 1,2,3 MOUNTED ON PSU CHASSIS WITH INSULATING WASHERS	PSU CIRCUIT DIAGRAM PCB TYPE AG0329	ISSUE 3

**DANGER - HIGH VOLTAGE !**

DISCONNECT POWER BEFORE REMOVING POWER SUPPLY UNIT  
REFER SERVICE WORK TO QUALIFIED SERVICE PERSONNEL ONLY

MAINS TRANSFORMER

REFER TO MAINS WIRING TABLE



TO MASTER BOARD

EARTH LIFT

PHANTOM POWER

ISS.	REVISION	BY	DATE	NOTES	UNIT TITLE	MANUFACTURED IN ENGLAND BY
1	ORIGIN	DRP	20-7-93	1. RESISTORS MARKED * ARE 1% ALL OTHERS ARE 5% 1/4W UNLESS OTHERWISE MARKED	GL2	ALLEN & HEATH
2	R5 100R WAS 22R T1 WIRING CHANGED	DRP	27-8-93	2. ELECTROLYTIC CAPACITORS ARE %/VOLTS 3. REG 1,2,3 MOUNTED ON PSU CHASSIS WITH INSULATING WASHERS	DRAWING TITLE PSU CIRCUIT DIAGRAM PCB TYPE AG0329	DRAWING No. D226 ISSUE 1