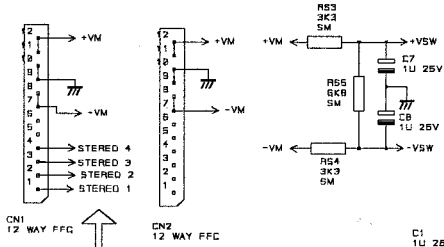
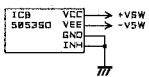


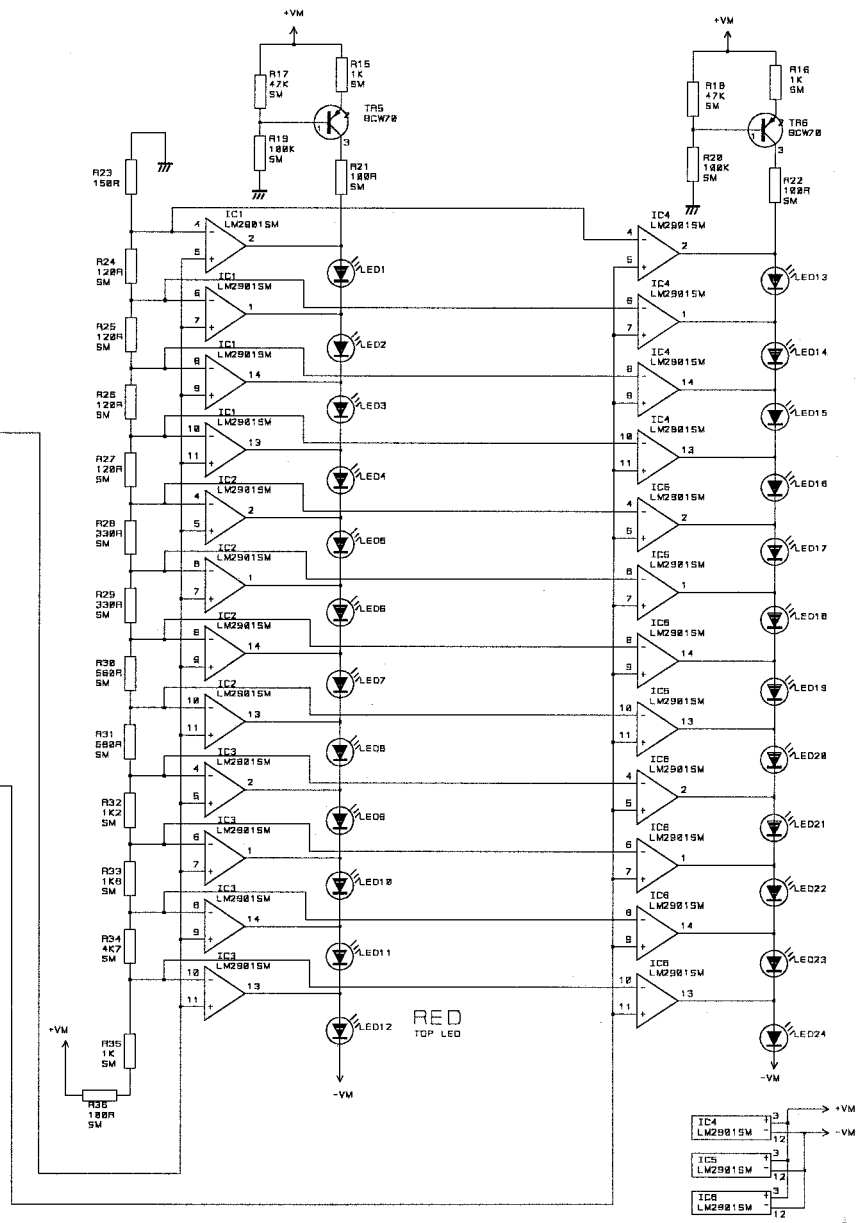
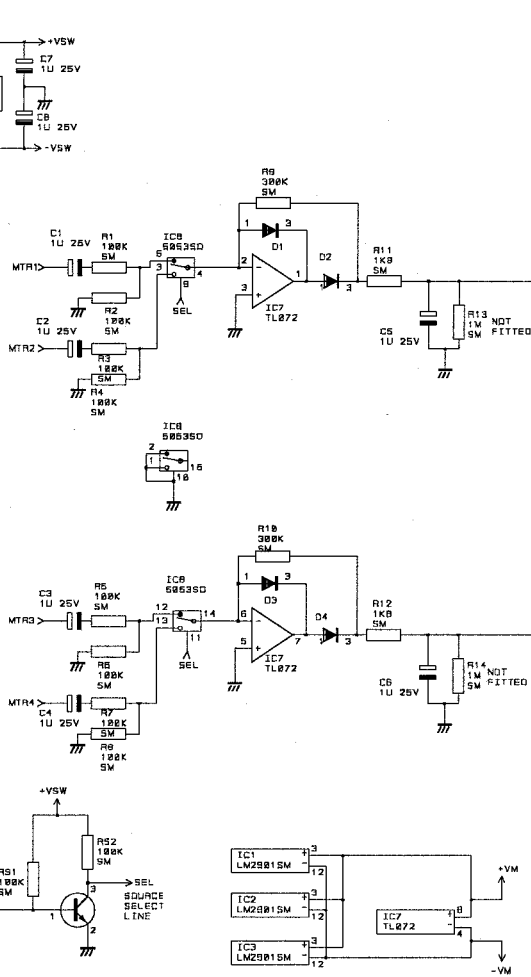
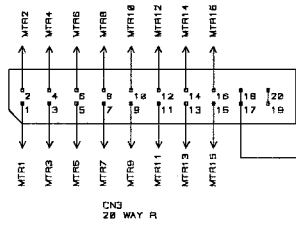
POWER IN AND STEREO SIGNALS



THESE SIGNALS ONLY USED ON 1R WAY PCB (AG3257)



AUDIO SIGNALS IN



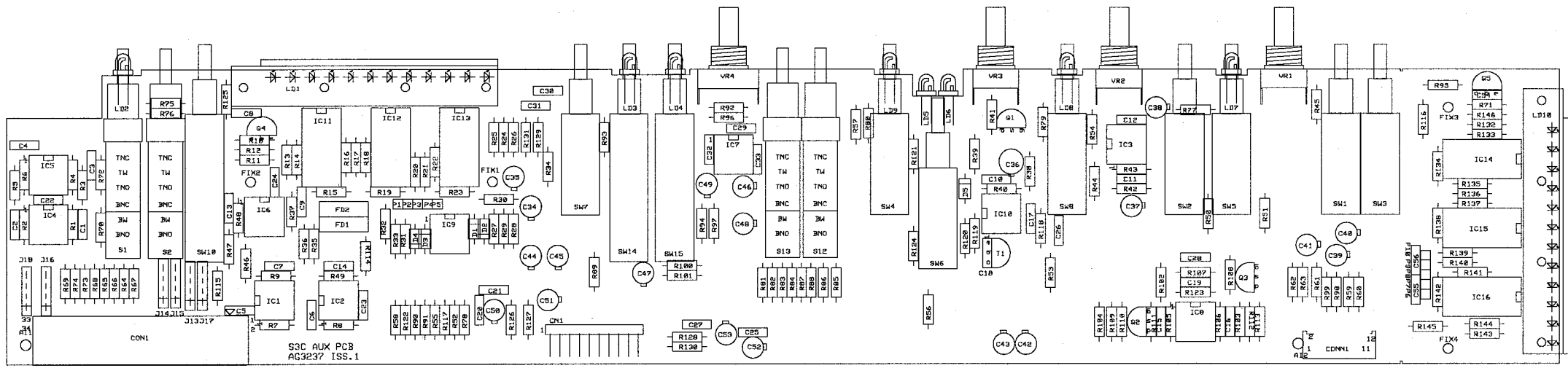
ALLEN & HEATH
 COPYRIGHT OF THIS DRAWING
 WHICH IS NOT TO BE COPIED,
 REPRODUCED OR DISCLOSED, IN PART
 OR IN WHOLE TO A THIRD PARTY
 WITHOUT WRITTEN PERMISSION.

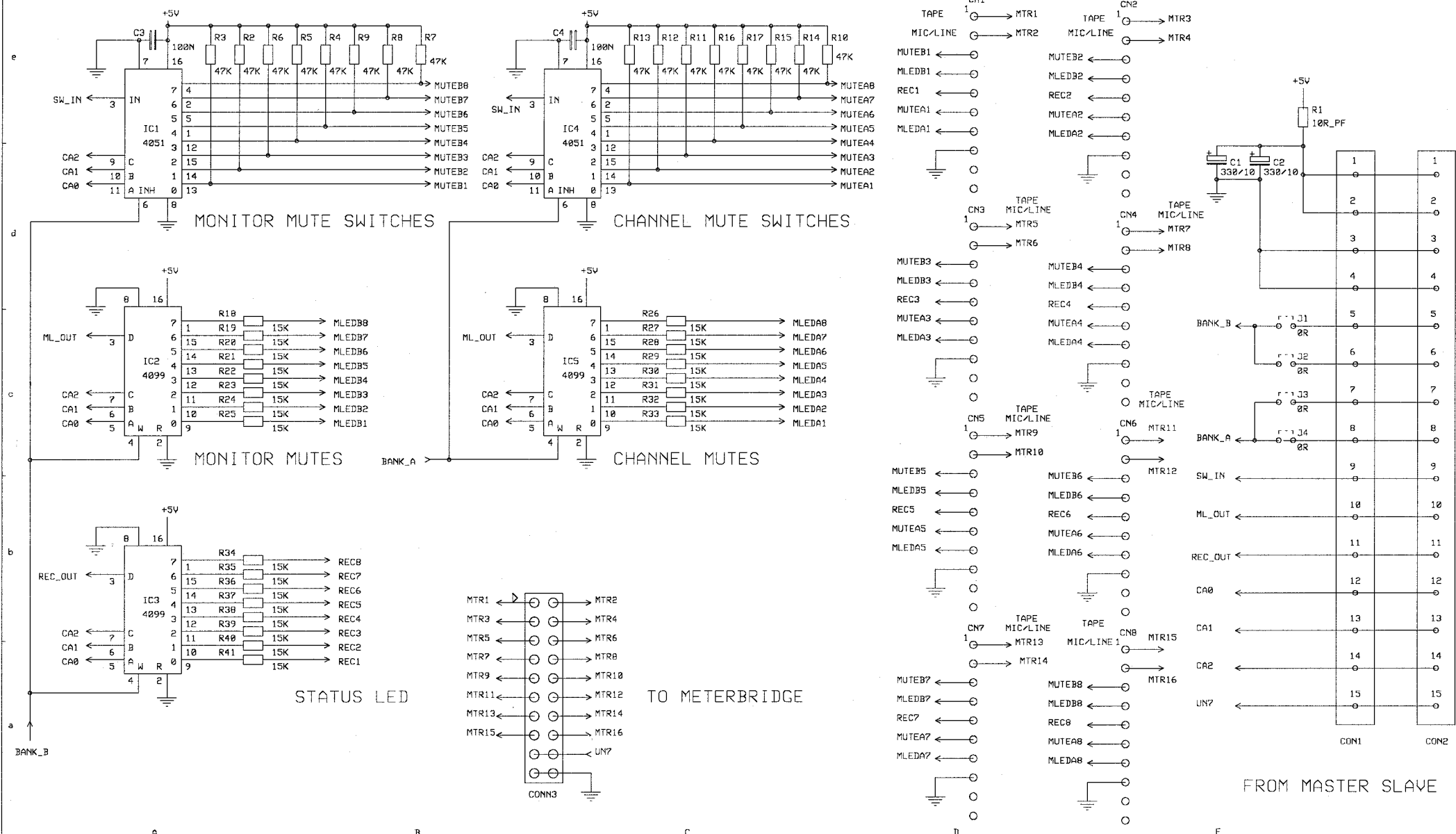
NOTES
 TWO BARGRAPHS ONLY ARE SHOWN
 CIRCUIT IS REPEATED 4 TIMES FOR AG3256
 CIRCUIT IS REPEATED 5 TIMES FOR AG3257

DRN. MG

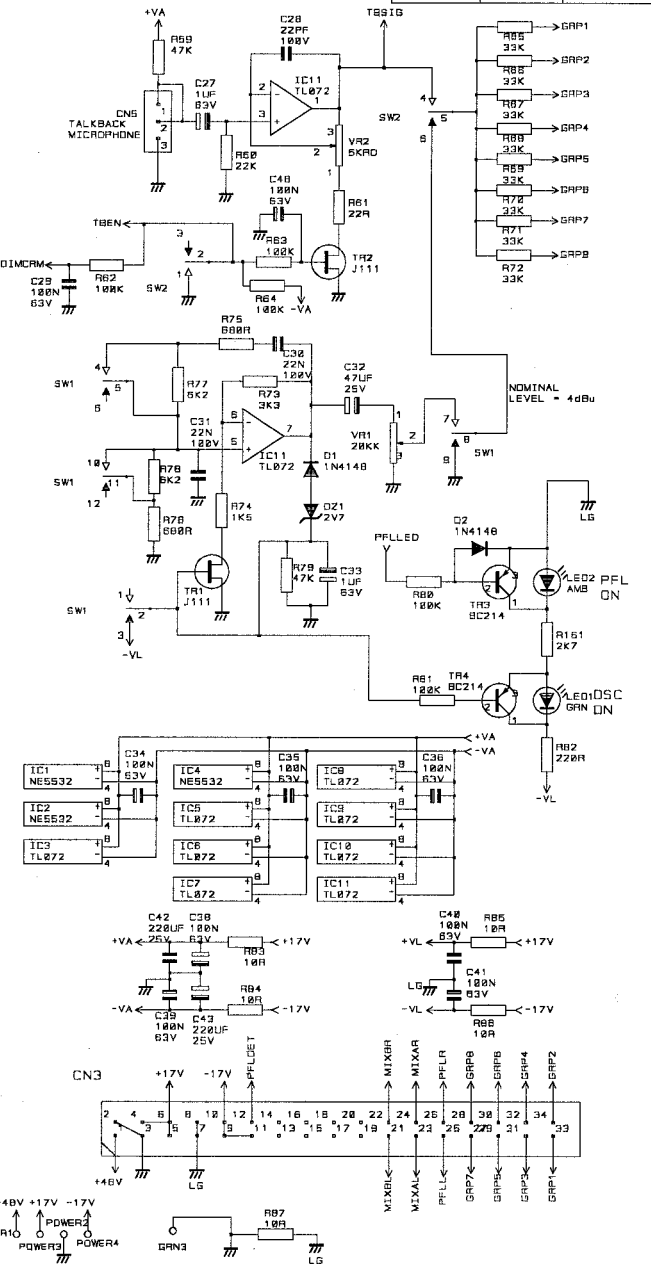
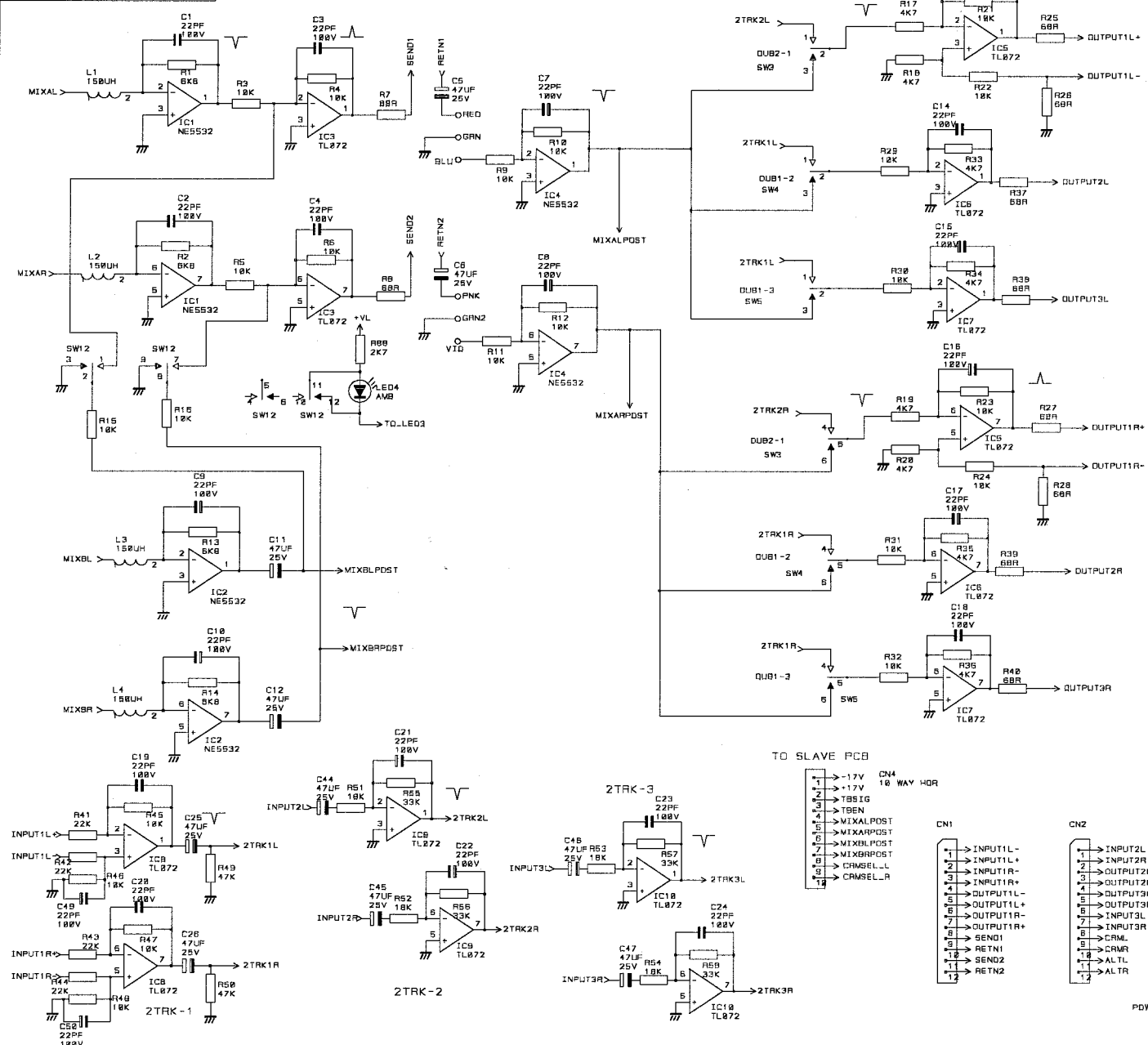
ALLEN & HEATH
 HARMAN INT. INDUSTRIES LTD.
 KERNICK INDUSTRIAL EST
 PENRYN
 CORNWALL
 TR10 9LU
 TEL: 01326 372070
 FAX: 01326 377097

TITLE GS3000
 8/10 WAY
 METERBRIDGE PCB
 DRG NO. 3256/7
 SHT. 1 OF 1





ISS.	REVISION	BY DATE	NOTES	UNIT TITLE	MANUFACTURED IN ENGLAND BY
A	ORIGIN	AAT 12-12-97		DRAWING TITLE GS3000	ALLEN & HEATH
1	PRODUCTION	ARJ 30-3-98	1. RESISTORS MARKED * ARE 1% ALL OTHERS ARE 5% 1/4W UNLESS OTHERWISE MARKED	INPUT SLAVE	DRAWING No. C3231 ISSUE 2
2	REVISION	DWD 15-5-98	2. ELECTROLYTIC CAPACITORS ARE µF/VOLTS	PCB TYPE AG 3231	A3



ALLEN & HEATH
 COPYRIGHT OF THIS DRAWING
 WHICH IS NOT TO BE COPIED,
 REPRODUCED OR DISCLOSED, IN PART
 OR IN WHOLE TO A THIRD PARTY
 WITHOUT WRITTEN PERMISSION.

NOTES

VR1 200K
 VR2 5KRD

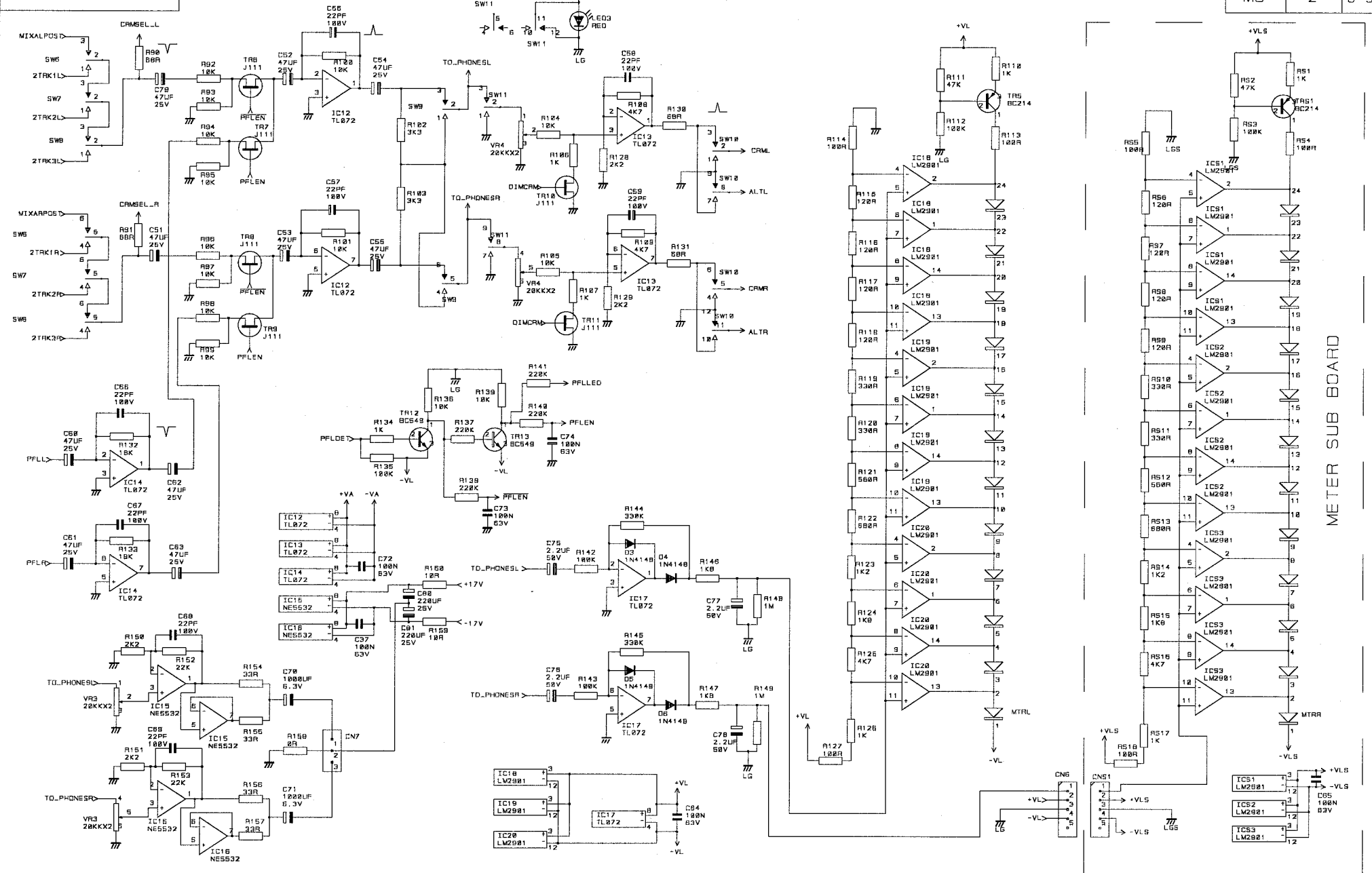
DRN. MG

ALLEN & HEATH
 HARMAN INT. INDUSTRIES LTD.
 KERNICK INDUSTRIAL EST
 PENRYN
 CORNWALL
 TR10 9LU
 TEL: 01326 372070
 01326 377097

TITLE
 GS3000 MASTER CRM
 CIRCUIT DIAGRAM

DRG NO. 3235

SHT. 1 OF 2



METER SUB BOARD

ALLEN & HEATH
 COPYRIGHT OF THIS DRAWING
 WHICH IS NOT TO BE COPIED,
 REPRODUCED OR DISCLOSED, IN PART
 OR IN WHOLE TO A THIRD PARTY
 WITHOUT WRITTEN PERMISSION.

NOTES

VR3 20KXX2
 VR4 20KXX2

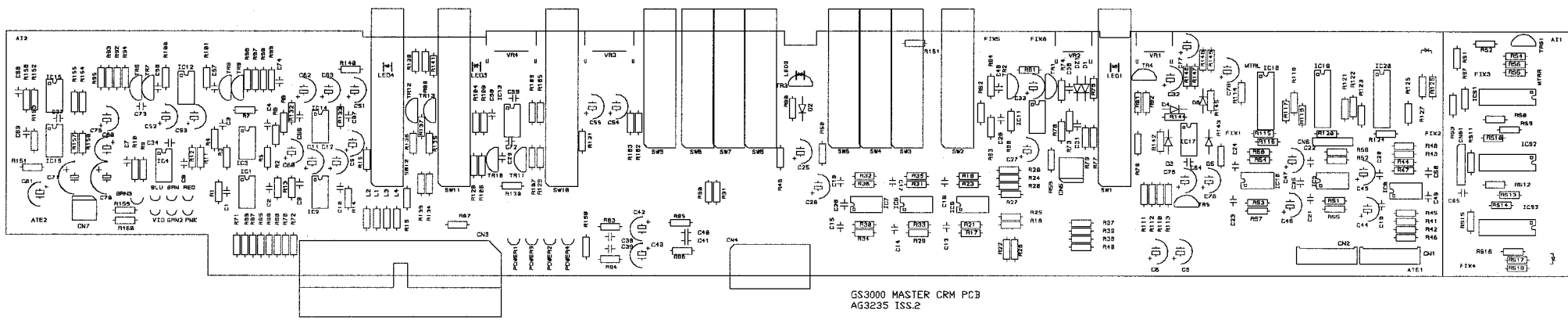
DRN. MG

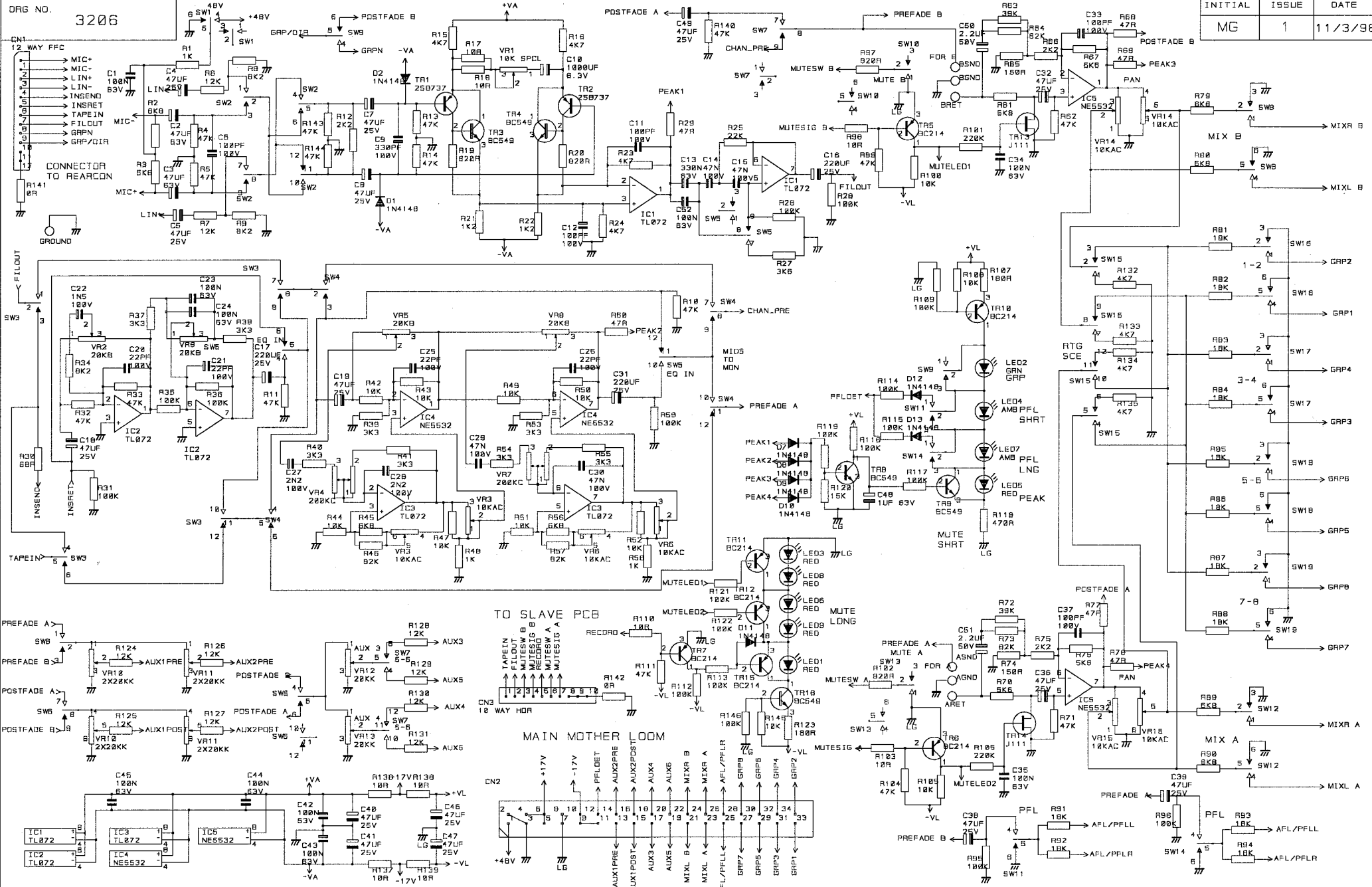
ALLEN & HEATH
 HARMAN INT. INDUSTRIES LTD.
 KERNICK INDUSTRIAL EST
 PERYN
 CORNWALL
 TR10 9LU
 TEL: 01326 372070
 FAX: 01326 377097

TITLE
 GS3000 MASTER CRM
 CIRCUIT DIAGRAM

DRG NO. 3235

SHT. 2 OF 2





ALLEN & HEATH
 COPYRIGHT OF THIS DRAWING
 WHICH IS NOT TO BE COPIED,
 REPRODUCED OR DISCLOSED, IN PART
 OR IN WHOLE TO A THIRD PARTY
 WITHOUT WRITTEN PERMISSION.

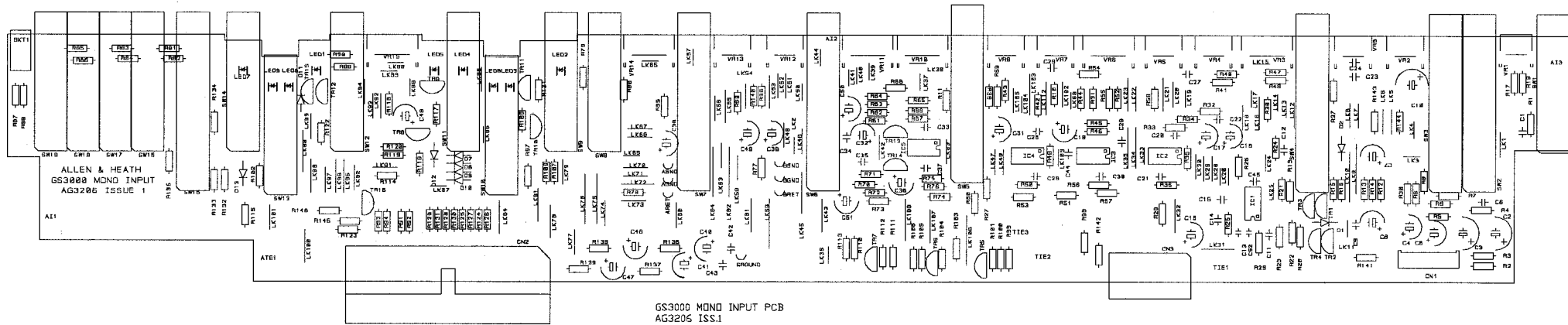
NOTES
 VR1 VR2 VR3 VR4
 10K 50K 20K 10K 20K
 VR5 VR6 VR7 VR8
 20K 10K 10K 20K
 VR9 VR10 VR11 VR12
 20K 10K 10K 10K
 VR13 VR14 VR15
 20K 10K 10K 10K

POT BRACKETS CONNECTED
 TO ENFORCE CONNECTION
 TO FRONT PANEL FOR
 HUM SHIELDING

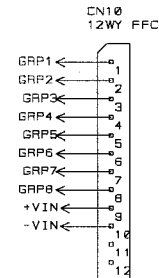
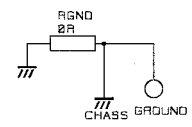
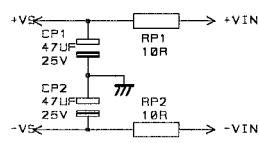
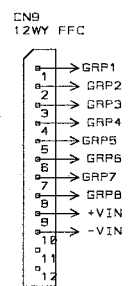
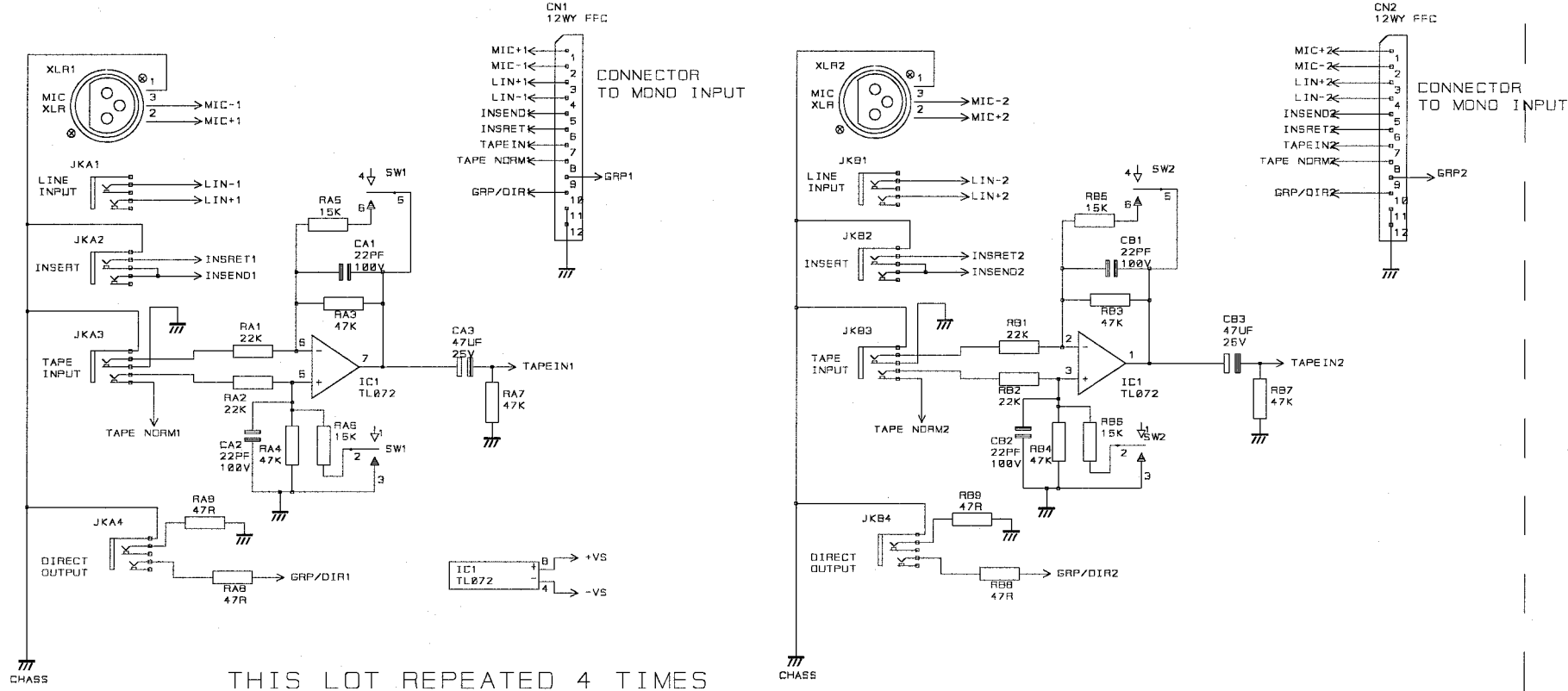
DRN: MG

ALLEN & HEATH
 HARMAN INT. INDUSTRIES LTD.
 KERNICK INDUSTRIAL EST
 PENRYN
 CORNWALL
 TR10 9LU
 TEL: 01326 372070
 FAX: 01326 377097

TITLE
 GS3000 MONO 1/P
 DRG NO. 3206



GS3000 MONO INPUT PCB
AG3206 ISS.1



ALLEN & HEATH OWNS THE COPYRIGHT OF THIS DRAWING WHICH IS NOT TO BE COPIED, REPRODUCED OR DISCLOSED, IN PART OR IN WHOLE TO A THIRD PARTY WITHOUT WRITTEN PERMISSION.

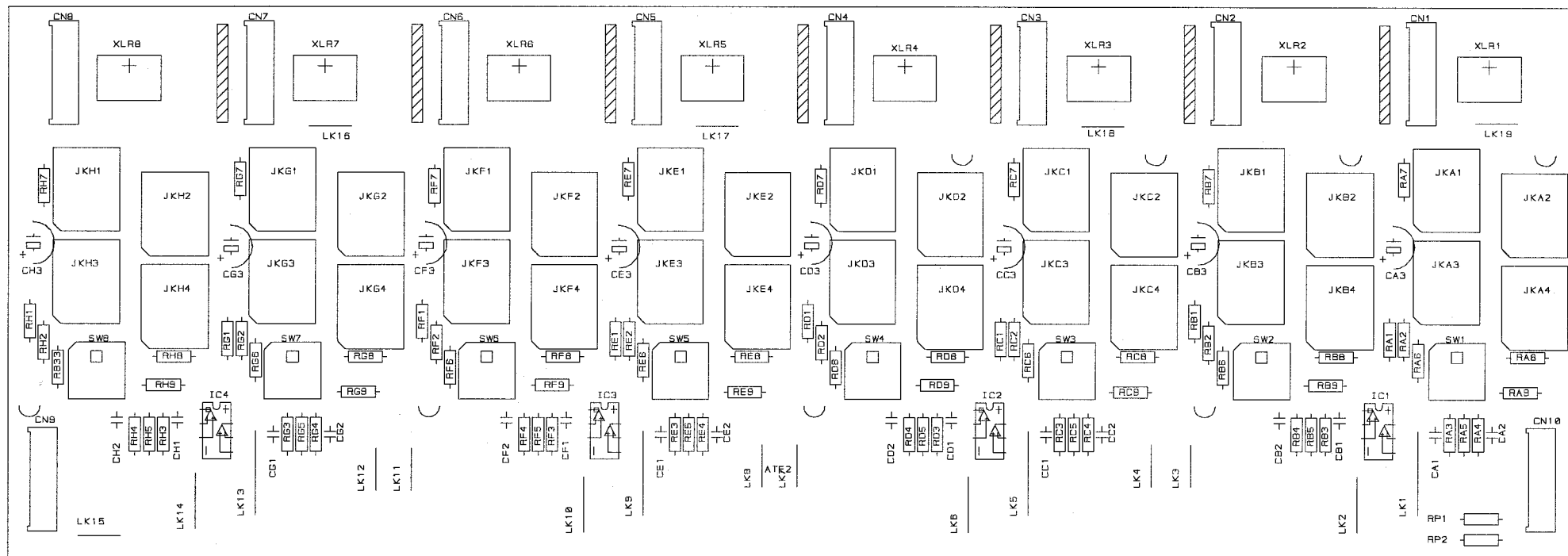
NOTES

NOTES

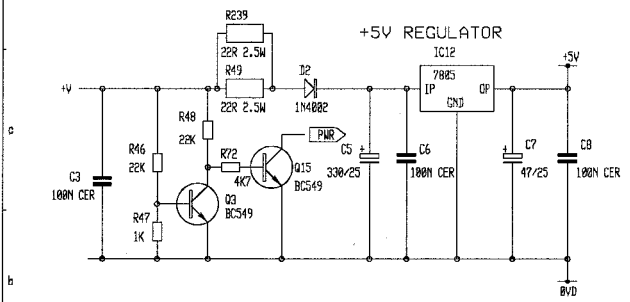
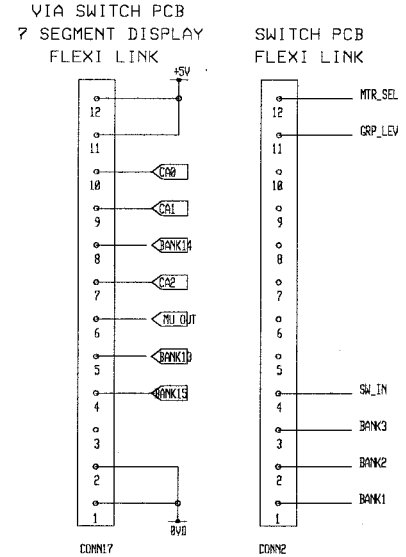
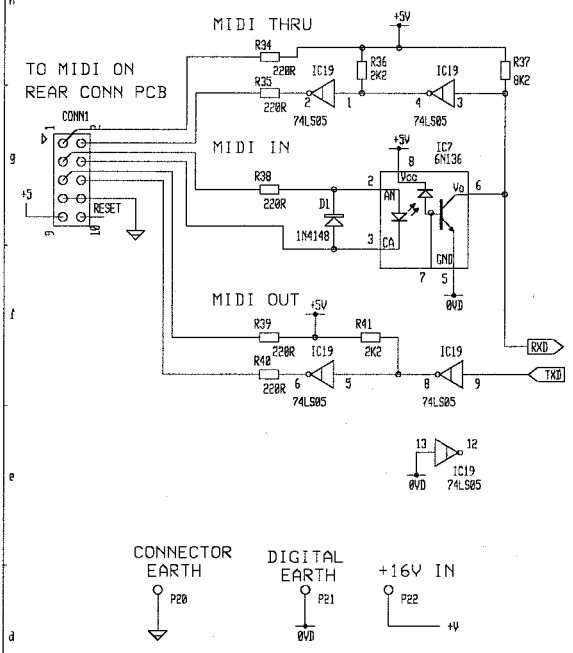
ALLEN & HEATH
HAFMAN INT. INDUSTRIES
KERNICK INDUSTRIAL EST.
CORNWALL
TR10 SLU
TEL: 01326 372272
FAX: 01326 372297

DRN. TO: MG

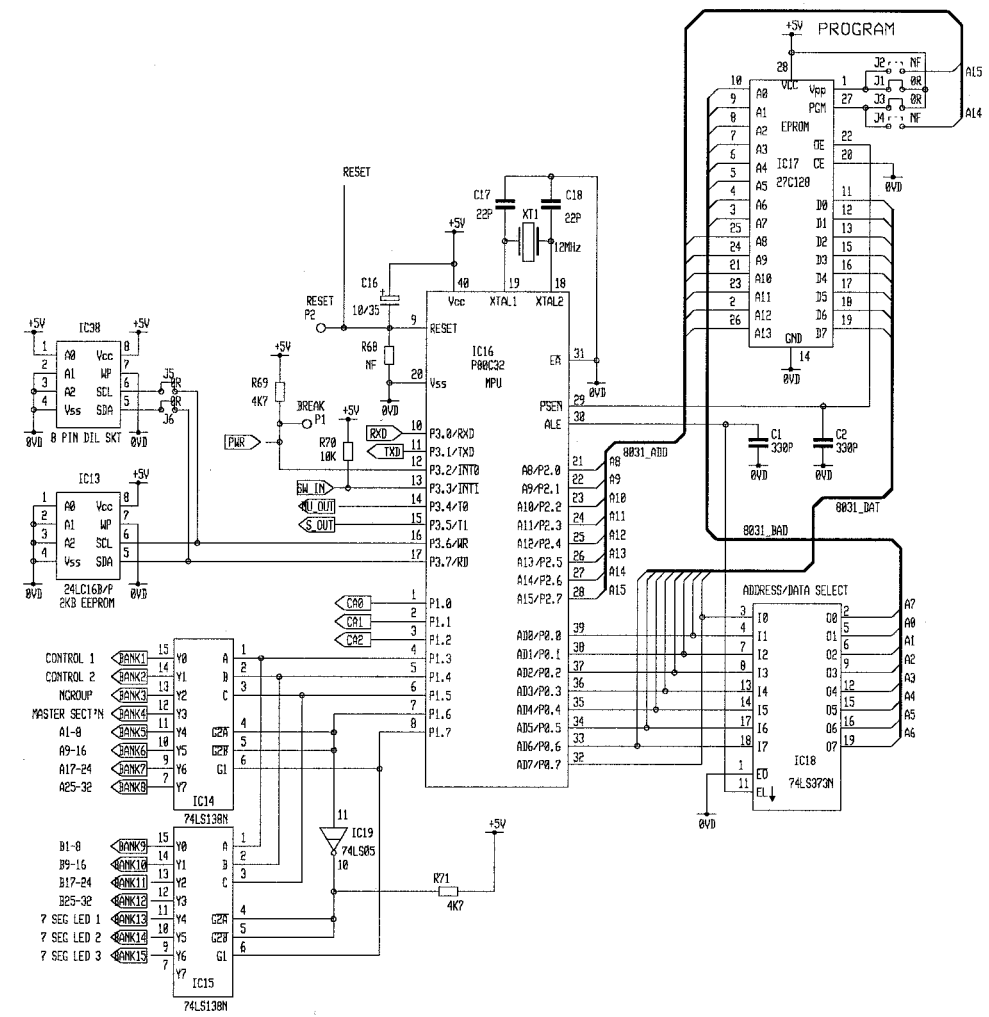
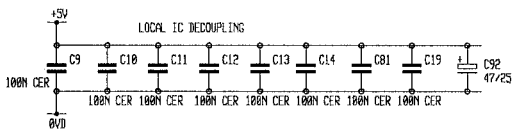
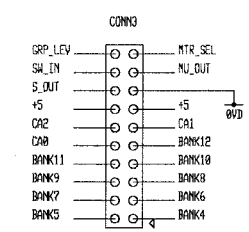
TITLE
GS3000 MONO INPUT
REARCONNECTOR PCB
DRG NO. AG 3242



GS3000 MONO INPUT REARCONNECTOR PCB
AG3242 ISS.1



20 WAY IDC TO MASTER SLAVE PCB

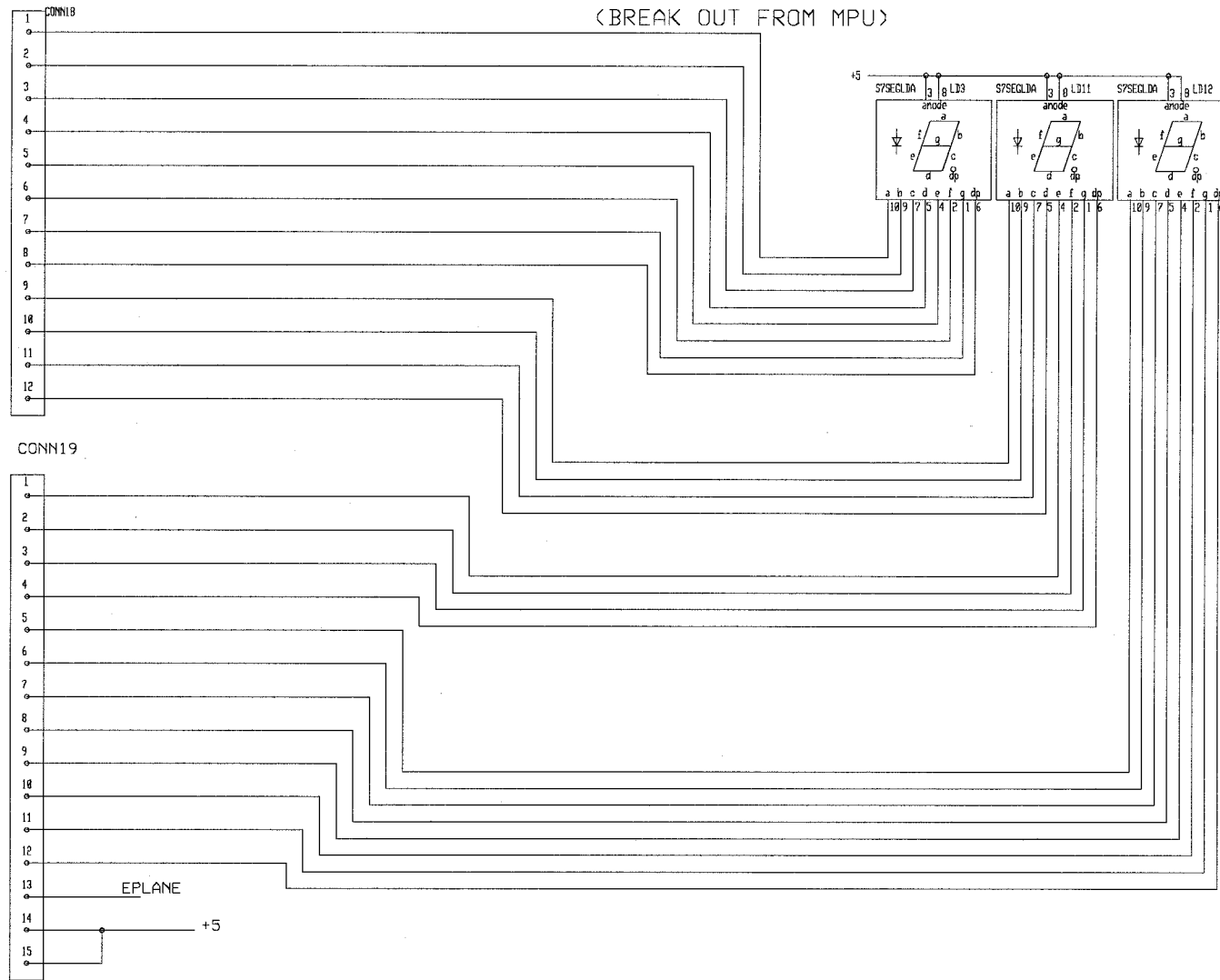


ISS.	REVISION	BY DATE	NOTES	UNIT TITLE	PAGE 1 OF 2	MANUFACTURED IN ENGLAND BY
1	ORIGIN	DRP 18-3-98	1. RESISTORS MARKED * ARE 1% ALL OTHERS ARE 5% 1/4W UNLESS OTHERWISE MARKED 2. ELECTROLYTIC CAPACITORS ARE µF/VOLTS	S3C	PAGE 1 OF 2	ALLEN & HEATH
				DRAWING TITLE	MPU CIRCUIT DIAGRAM	DRAWING No. C3236 ISSUE 1 A2

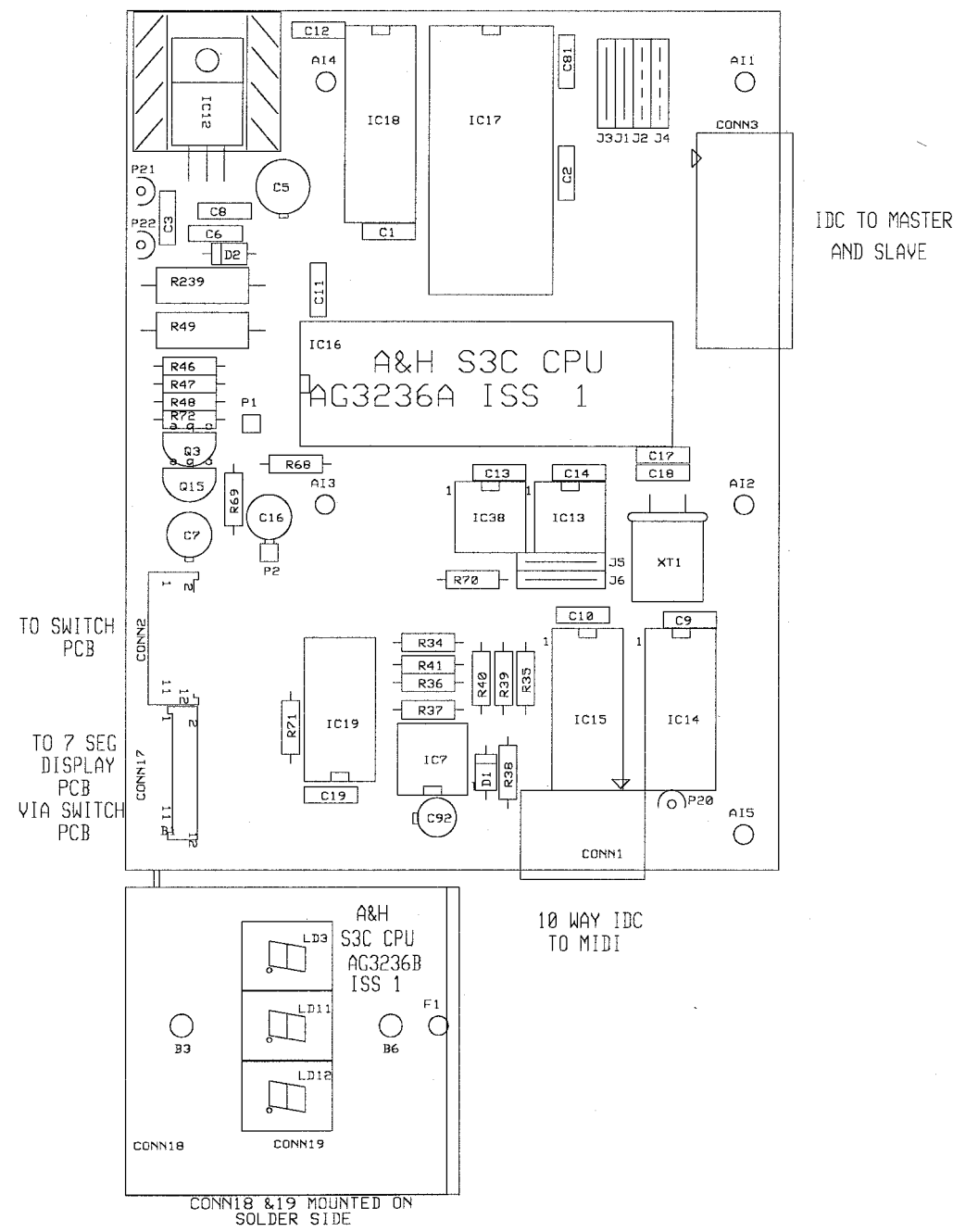
FLEXI LINKS
TO SWITCH PCB

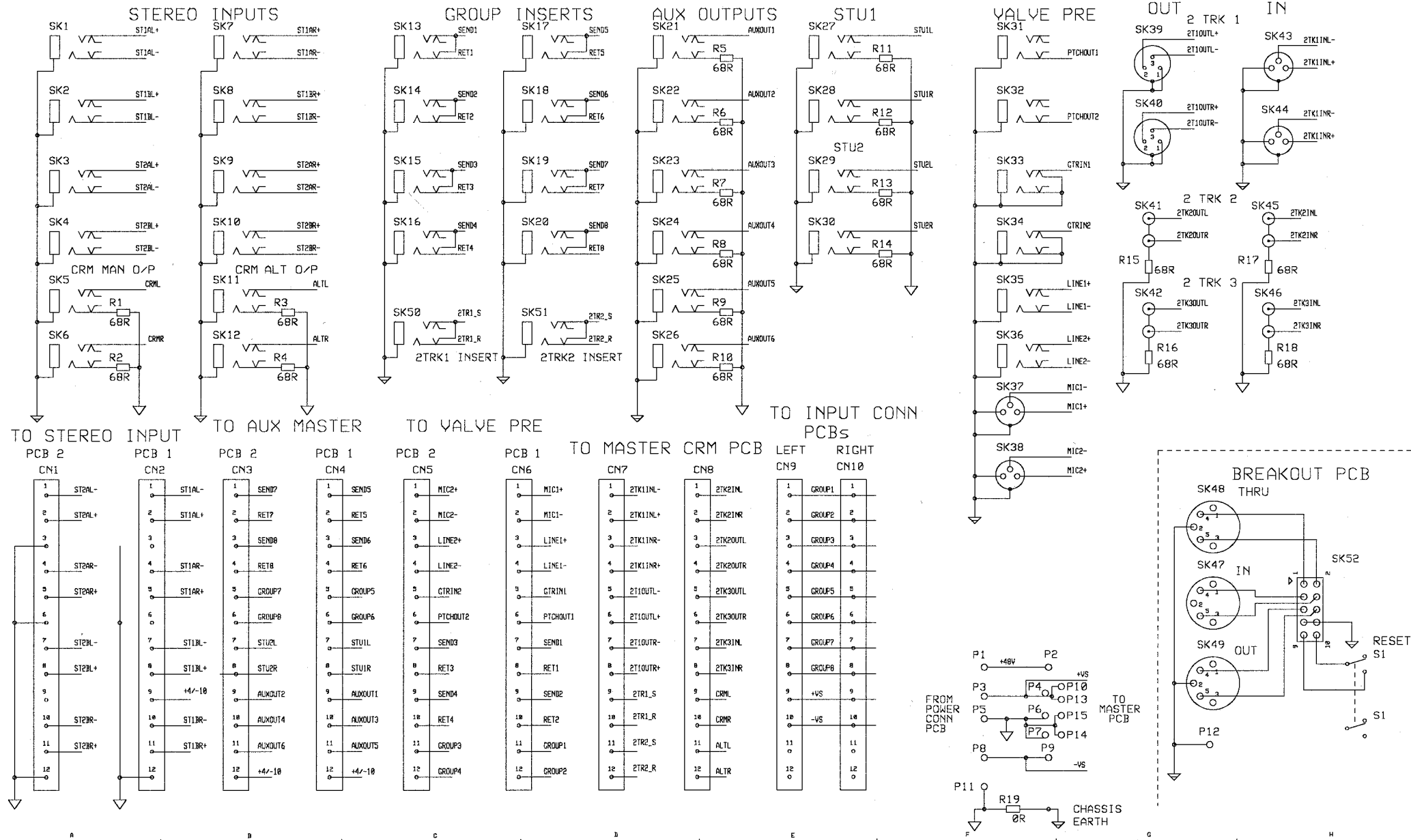
7 SEGMENT LED BOARD AG3236B

(BREAK OUT FROM MPU)



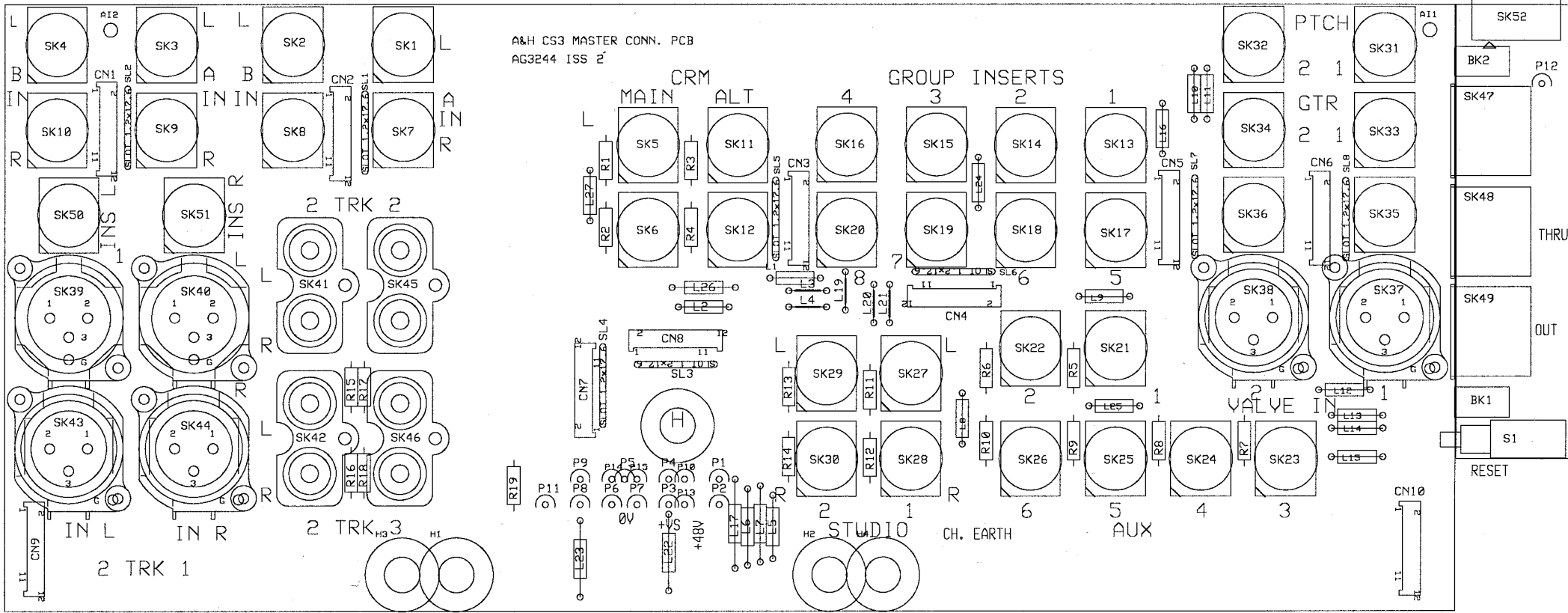
ISS.	REVISION	BY DATE	NOTES	UNIT TITLE	PAGE 2 OF 2	MANUFACTURED IN ENGLAND BY
1	ORIGIN	DRP 18-3-98	1. RESISTORS MARKED * ARE 1% ALL OTHERS ARE 5% 1/4W UNLESS OTHERWISE MARKED 2. ELECTROLYTIC CAPACITORS ARE µF/VOLTS	S3C		ALLEN & HEATH
				DRAWING TITLE	MPU CIRCUIT DIAGRAM	DRAWING No. C3236
						ISSUE 1
						A2

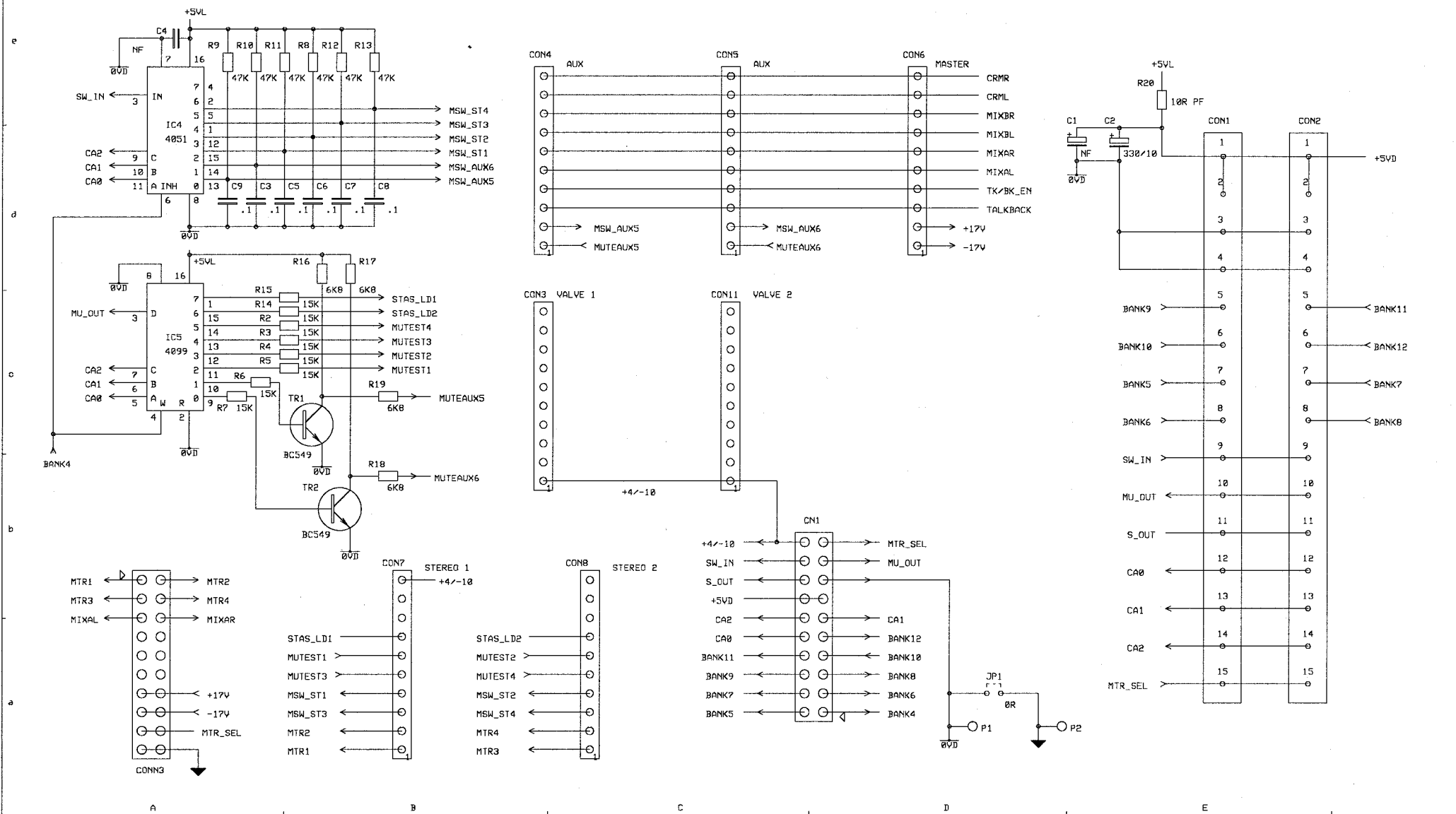




ISS.	REVISION	BY DATE	NOTES	UNIT TITLE	MANUFACTURED IN ENGLAND BY
A	ORIGIN	DRP 4-11-97	1. RESISTORS MARKED * ARE 1% ALL OTHERS ARE 5% 1/4W UNLESS OTHERWISE MARKED	SC3 CIRCUIT DIAGRAM MASTER REAR CONNECTOR PCB FOR AG3244	ALLEN & HEATH
1	UPDATES	ARJ 4-3-98	2. ELECTROLYTIC CAPACITORS ARE μ F/VOLTS		
2	PRODUCTION	ARJ 8-5-98			
				DRAWING TITLE	DRAWING No. C3244
					ISSUE 2

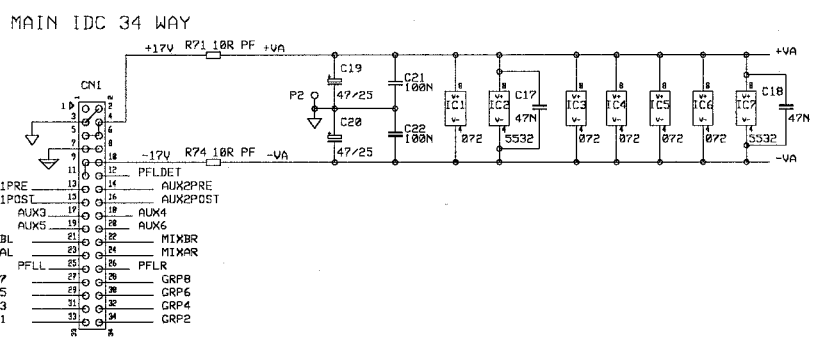
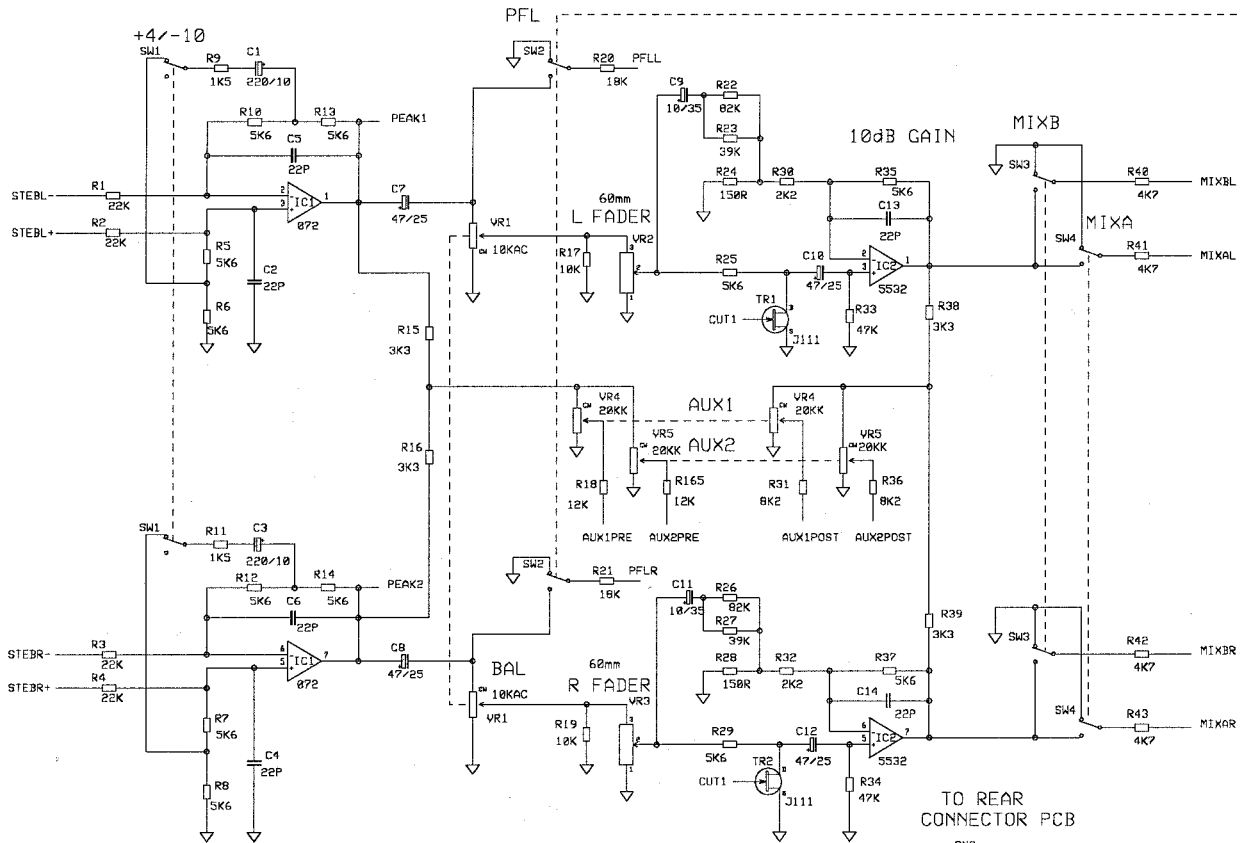
A&H CS3 MASTER CONN. PCB
AG3244 ISS 2'



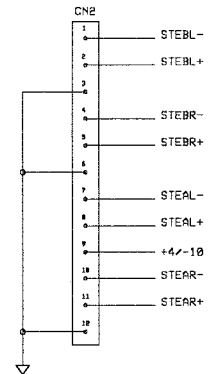


ISS.	REVISION	BY DATE	NOTES	UNIT TITLE	MANUFACTURED IN ENGLAND BY
A	ORIGIN	AAT 19-12-97	1. RESISTORS MARKED * ARE 1% ALL OTHERS ARE 5% 1/4W UNLESS OTHERWISE MARKED 2. ELECTROLYTIC CAPACITORS ARE µF/VOLTS	DRAWING TITLE GS3000 MASTER SLAVE	ALLEN & HEATH
1	PRODUCTION	ARJ 17-3-98			
2	REVISION	DWD 18-5-98			ISSUE 2

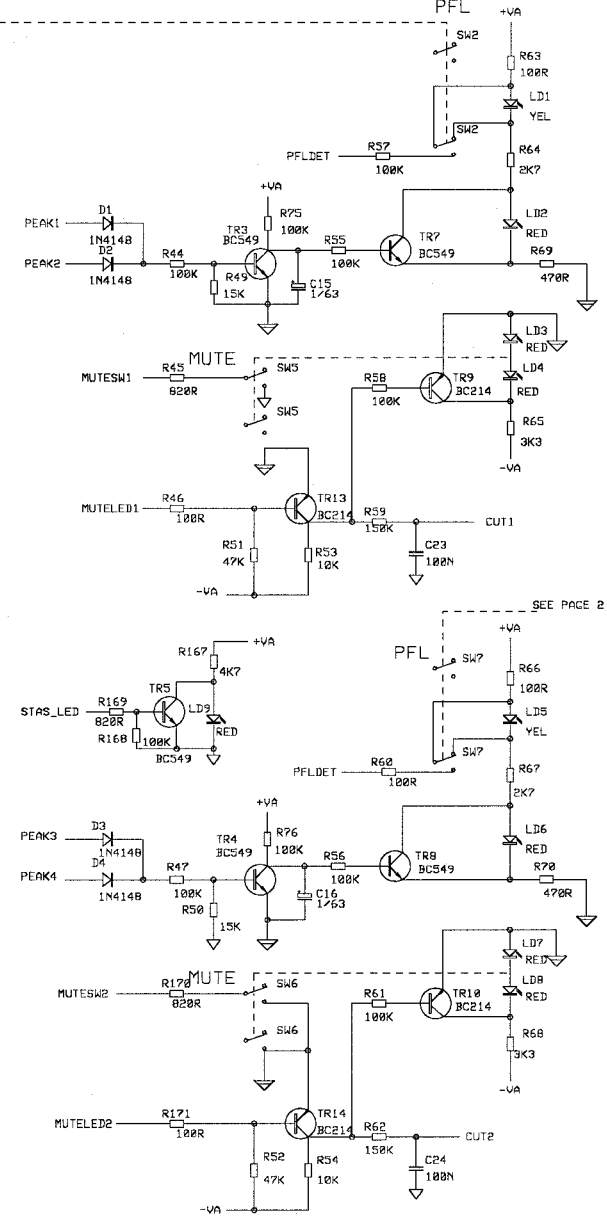
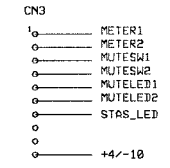
PCB TYPE AG 3241



TO REAR CONNECTOR PCB



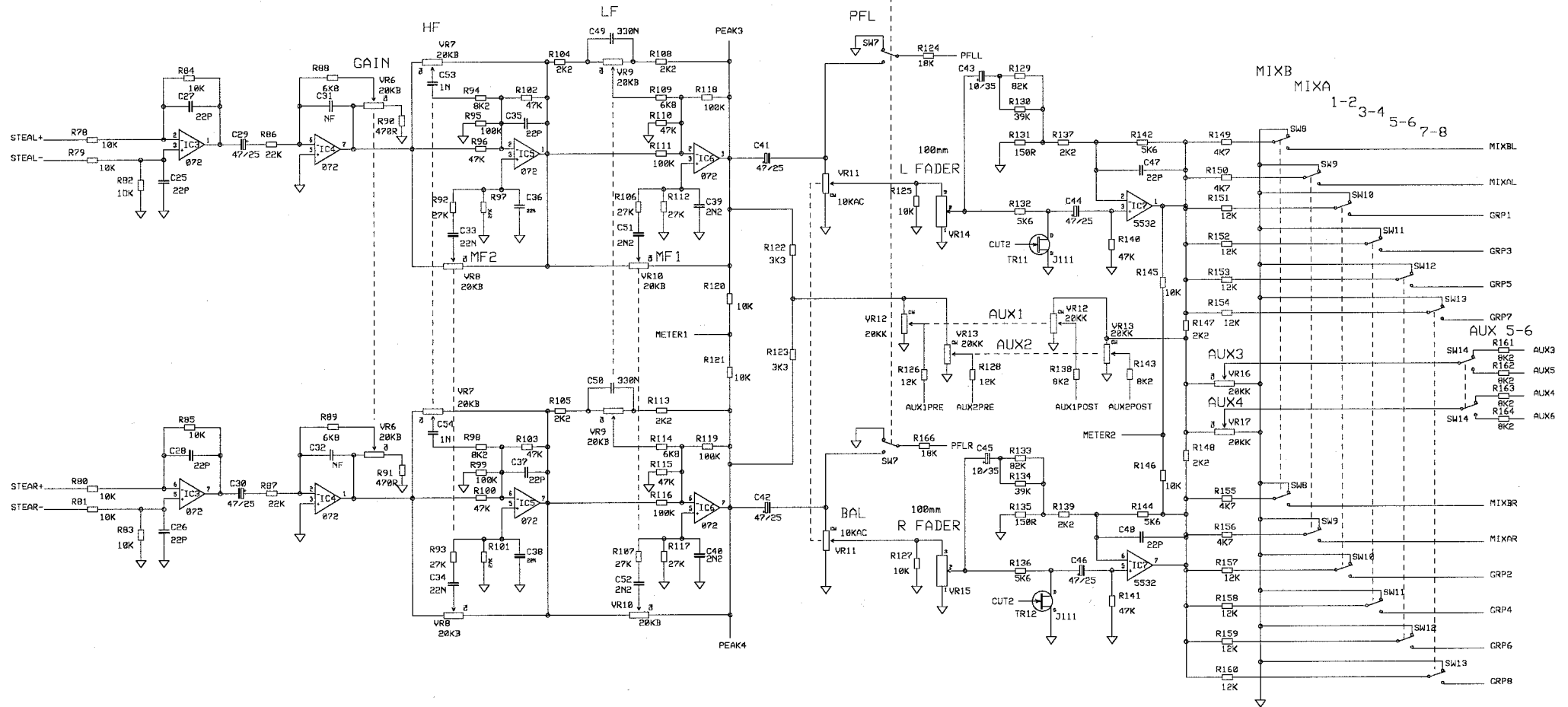
TO SLAVE PCB



ISS.	REVISION	BY DATE	NOTES
A	ORIGIN	DRP 21-11-97	1. RESISTORS MARKED * ARE 1W ALL OTHERS ARE 5/8 1/4W UNLESS OTHERWISE MARKED
B	UPDATES	ARJ 27-2-98	2. ELECTROLYTIC CAPACITORS ARE 50V
1	PRODUCTION	ARJ 24-3-98	
2	REVISION	DWD 14-5-98	

UNIT TITLE	GS3000	PAGE 1 OF 2
BOARDING TITLE	CIRCUIT DIAGRAM STEREO INPUT PCB FOR PCB AG3232	

MANUFACTURED IN ENGLAND BY	
ALLEN & HEATH	
MANING No.	C3232
ISSUE	2

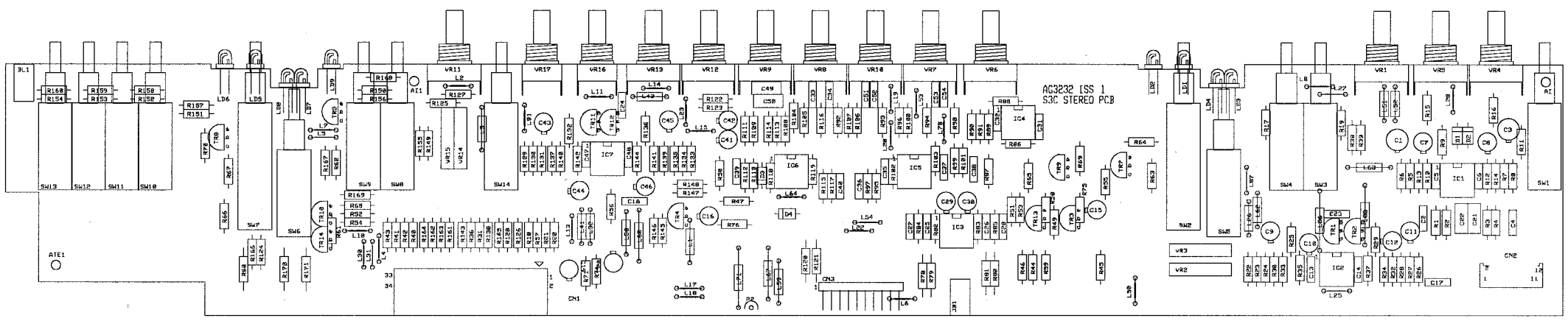


ISS.	REVISION	BY DATE
A	ORIGIN	DRP 21-11-97
B	UPDATES	ARJ 27-2-98
1	PRODUCTION	ARJ 24-3-98
2	REVISION	DWD 14-5-98

- NOTES
- RESISTORS MARKED * ARE 1% ALL OTHERS ARE 5% UNLESS OTHERWISE MARKED
 - ELECTROLYTIC CAPACITORS ARE μ VOLTS

UNIT TITLE	GS3000	PAGE 2 OF 2
DRAWING TITLE	CIRCUIT DIAGRAM STEREO INPUT PCB FOR PCB AG3232	

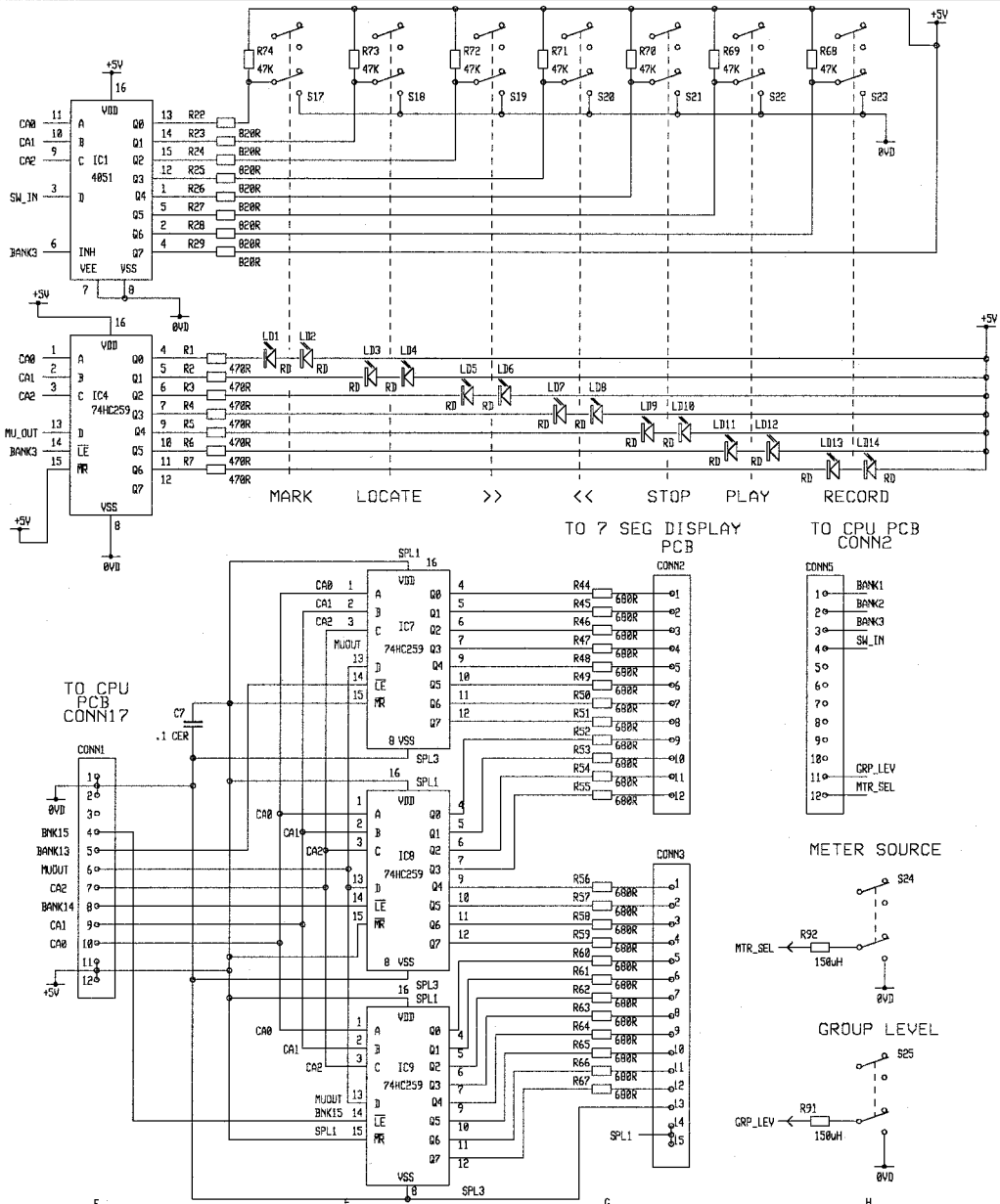
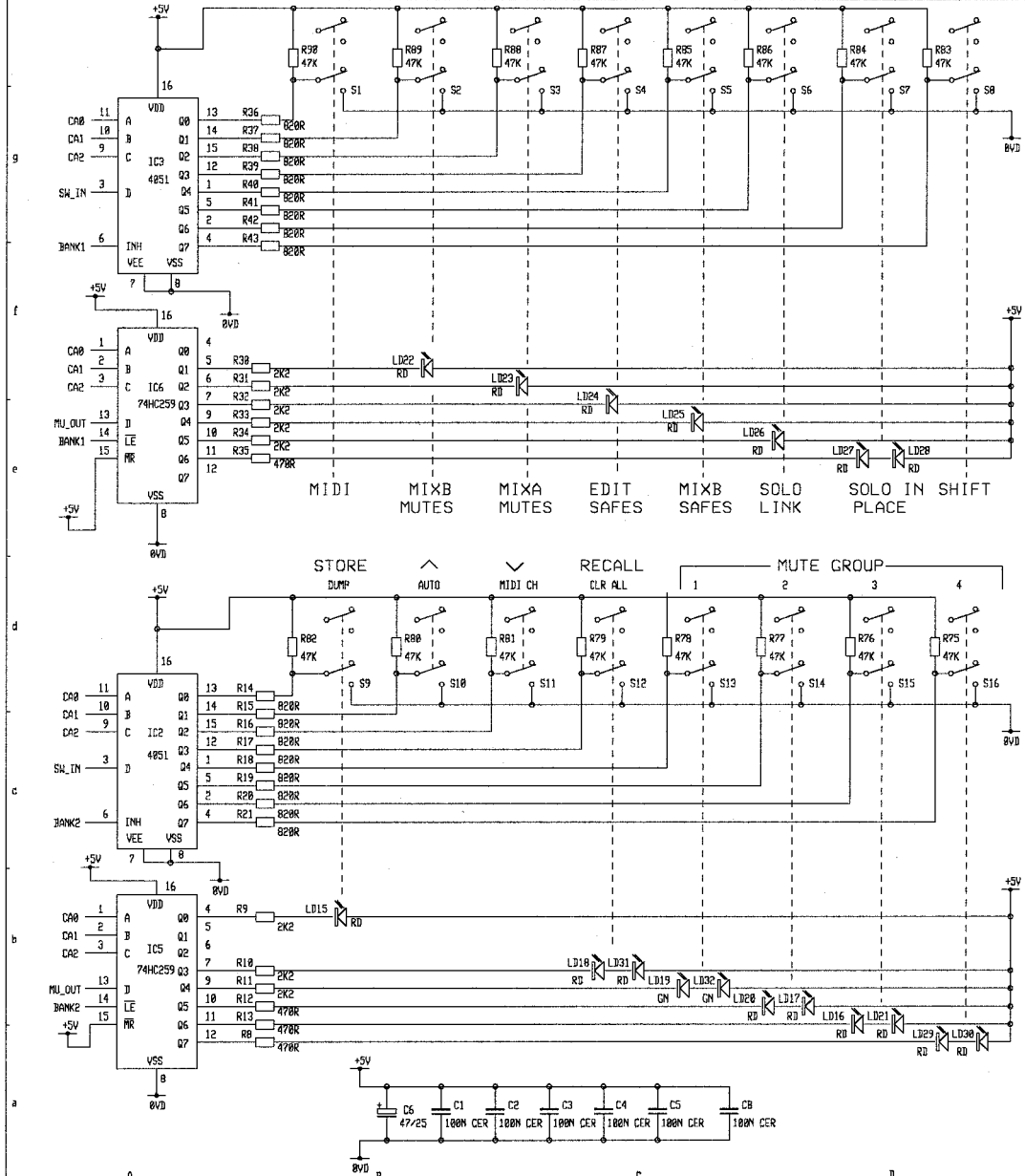
MANUFACTURED IN ENGLAND BY		
ALLEN & HEATH		
DRAWING No.	C3232	ISSUE 2



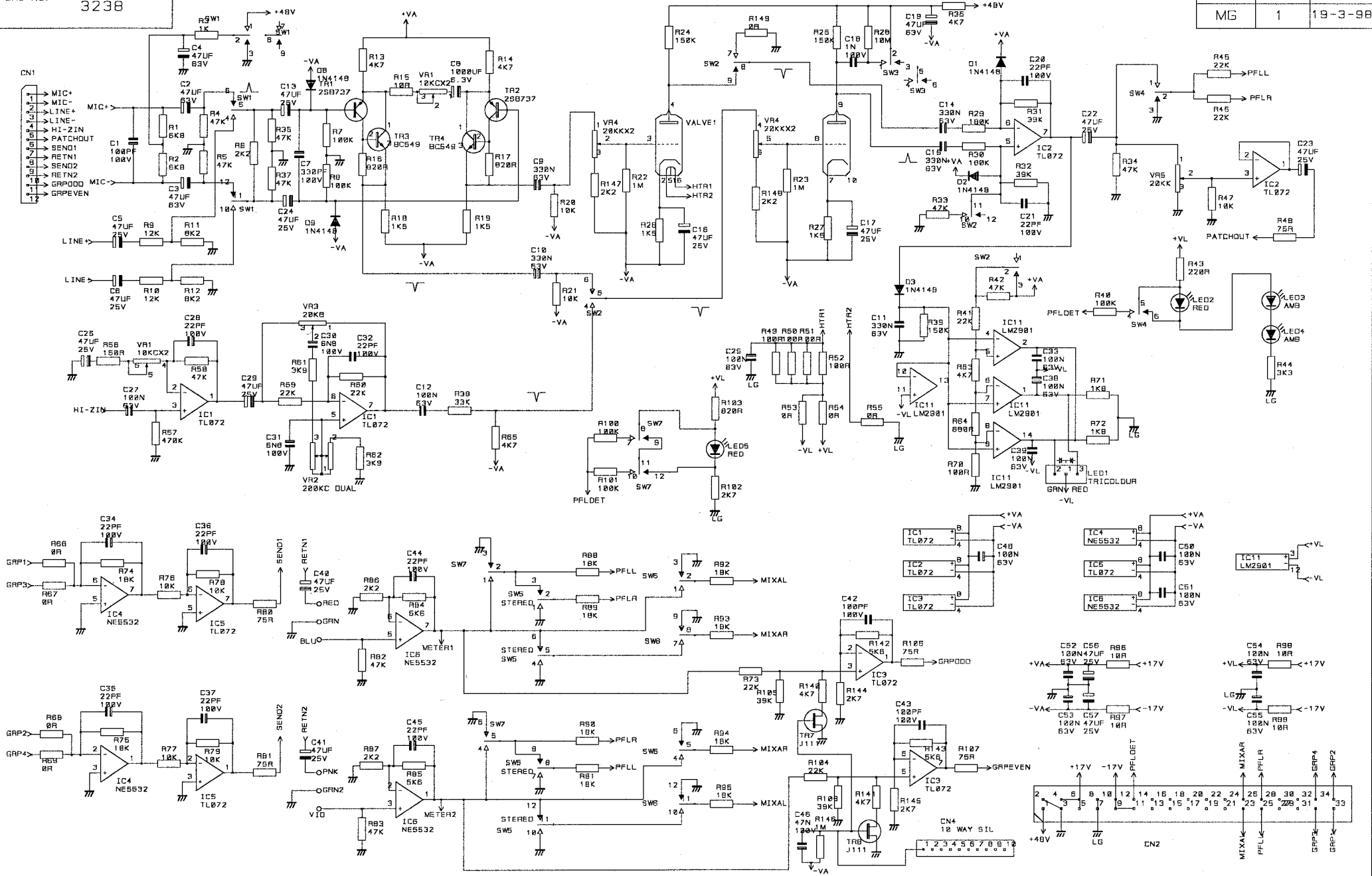
MAIN 34 WAY IDC

SLAVE PCB

REAR CONN PCB



ISS.	REVISION	BY DATE	NOTES	UNIT TITLE	MANUFACTURED IN ENGLAND BY
A	ORIGIN	ARJ 16-12-97	1. RESISTORS MARKED * ARE 1% ALL OTHERS ARE 5% 1/4W UNLESS OTHERWISE MARKED	S3C	ALLEN & HEATH
1	PRODN	DRP 12-3-98	2. ELECTROLYTIC CAPACITORS ARE µF/VOLTS	DRAWING TITLE	DRAWING No.
2	UPDATE	DWD 18-5-98		CIRCUIT DIAGRAM SWITCH PCB AG3239	C3239
					ISSUE 2
					A2



ALLEN & HEATH
 COPYRIGHT OF THIS DRAWING
 WHICH IS NOT TO BE COPIED,
 REPRODUCED OR DISCLOSED, IN PART
 OR IN WHOLE TO A THIRD PARTY
 WITHOUT WRITTEN PERMISSION.

NOTES

VR1 5KRCX2
 VR2 200KC DUAL 20KB
 VR3 10KCX2
 VR4 10KCX2
 VR5 20KB

GRP 1-2 BUILD: SNIP OUT R53, R67, R69.
 GRP 3-4 BUILD: SNIP OUT R54, R66, R68

DRN. MG

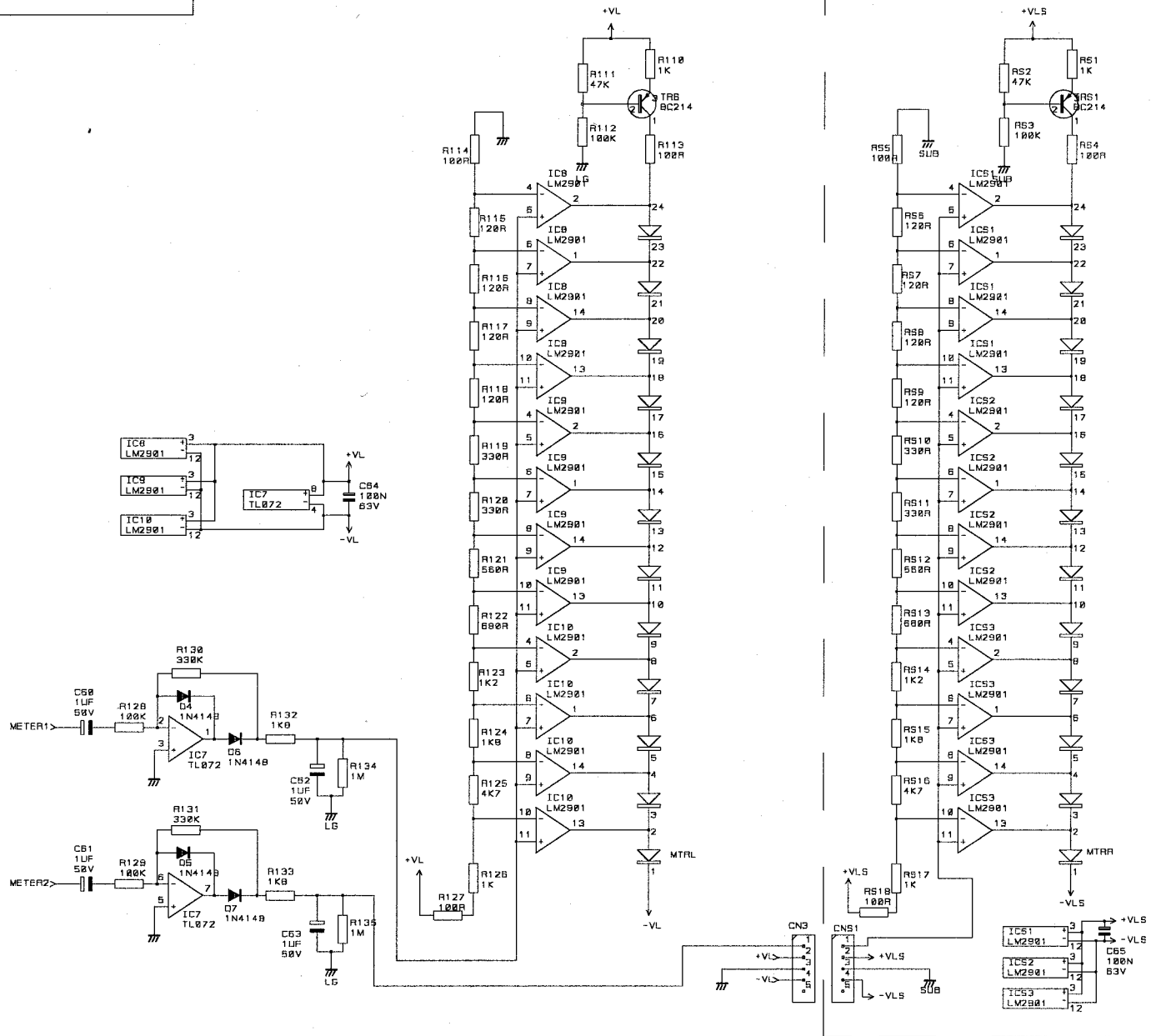
ALLEN & HEATH
 HARMAN INT. INDUSTRIES LTD.
 KERNICK INDUSTRIAL EST
 PENRYN
 CORNWALL
 TR10 9LU

TEL: 01326 372070
 FAX: 01326 377097

TITLE GS3000
 VALVE PRE-AMP
 /GROUP PCB

DRG NO. 3238

METER SUB BOARD
BREAK-OUT FROM MAIN PCB



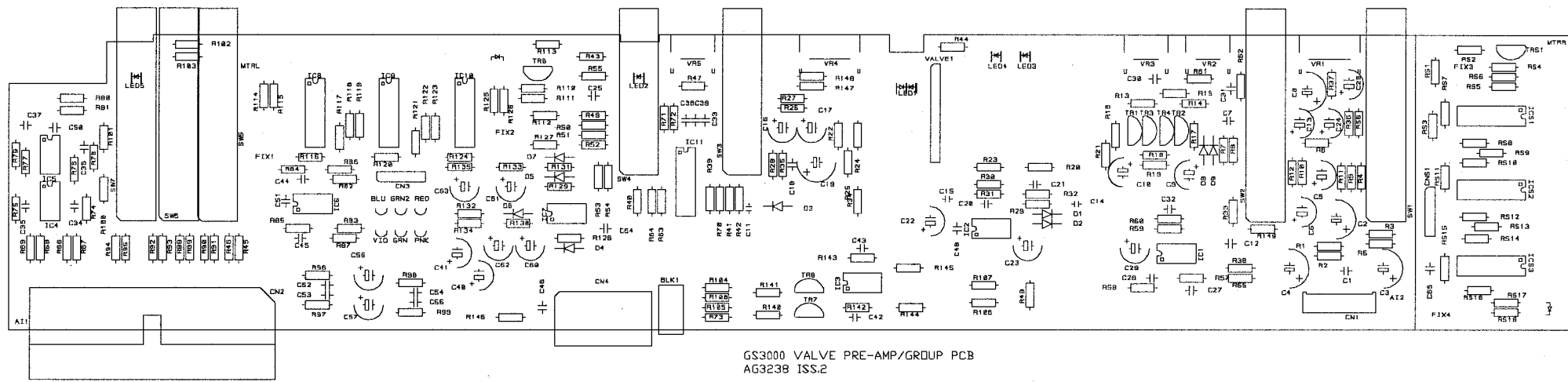
ALLEN & HEATH
COPYRIGHT OF THIS DRAWING
WHICH IS NOT TO BE COPIED,
REPRODUCED OR DISCLOSED, IN PART
OR IN WHOLE TO A THIRD PARTY
WITHOUT WRITTEN PERMISSION.

NOTES

DRN. MG

ALLEN & HEATH
HARMAN INT. INDUSTRIES LTD.
KERNICK INDUSTRIAL EST
PENRYN
CORNWALL
TR10 9LU
TEL: 01326 372070
FAX: 01326 377097

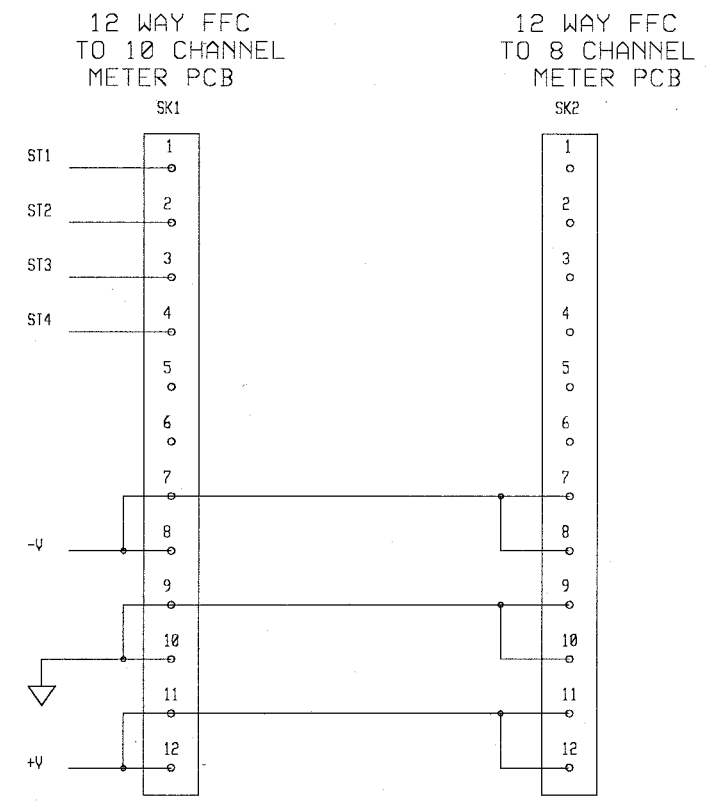
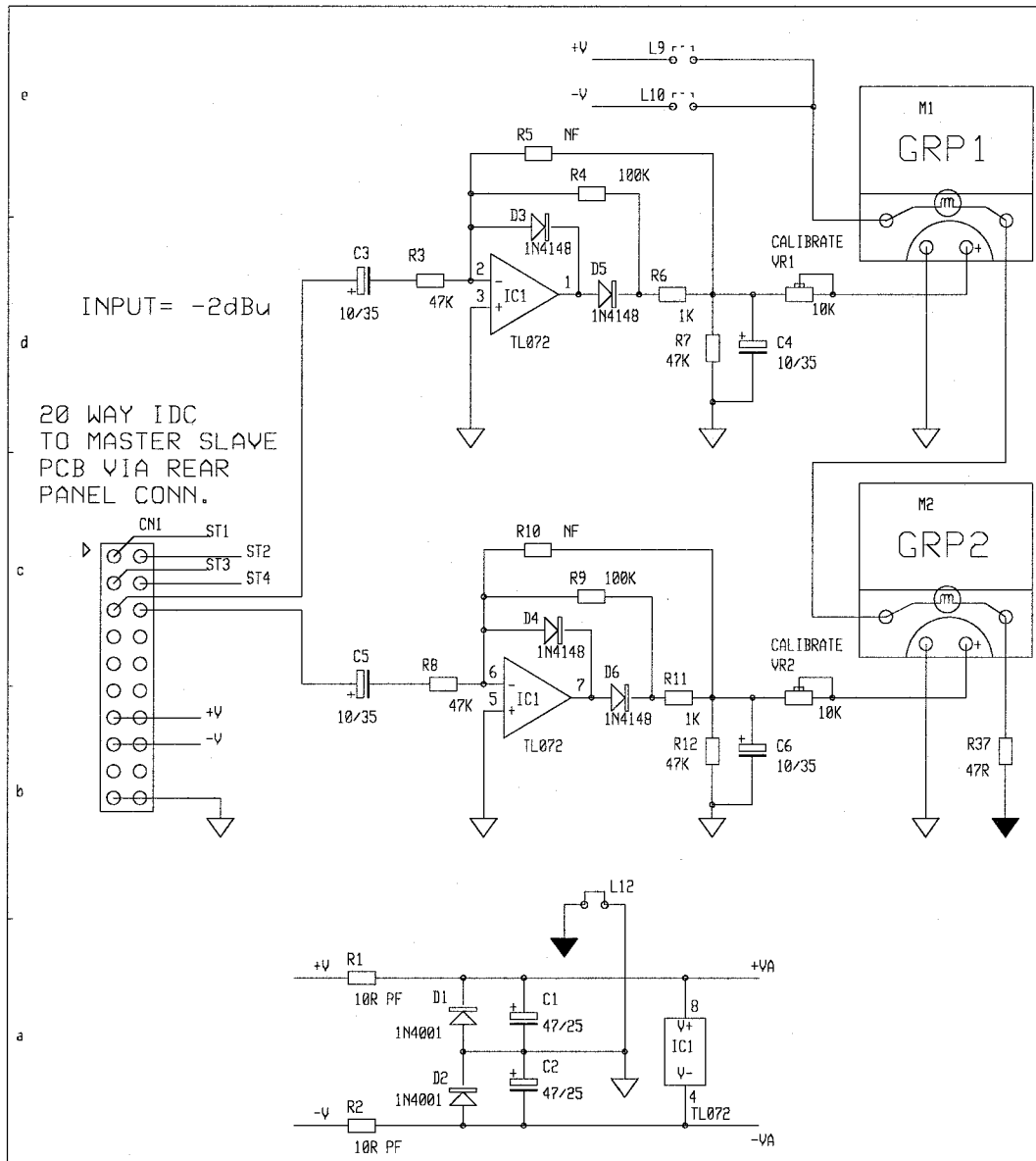
TITLE GS3000
VALVE PRE-AMP
/GROUP PCB
DRG NO. 3238



GS3000 VALVE PRE-AMP/GRUOP PCB
AG3238 ISS.2

METER CALIBRATION

SET VR1-2 FOR METER READING
 0VU FOR INPUT LEVEL OF -2dBu
 i.e. CONSOLE XLR OUTPUT = +4dBu



ISS.	REVISION	BY DATE	NOTES	UNIT TITLE	MANUFACTURED IN ENGLAND BY
1	ORIGIN	DRP 23-3-98	1. RESISTORS MARKED * ARE 1% ALL OTHERS ARE 5% 1/4W UNLESS OTHERWISE MARKED 2. ELECTROLYTIC CAPACITORS ARE µF/VOLTS	S3C DRAWING TITLE CIRCUIT DIAGRAM VU METER PCB AG3258	ALLEN & HEATH DRAWING No. C3258 ISSUE 1

