

ALLEN & HEATH



WARNING – HIGH VOLTAGES

Power Supply Unit (PSU) work should only be carried out by qualified personnel.

We recommend that you use an approved Allen & Heath service centre for all power supply work.

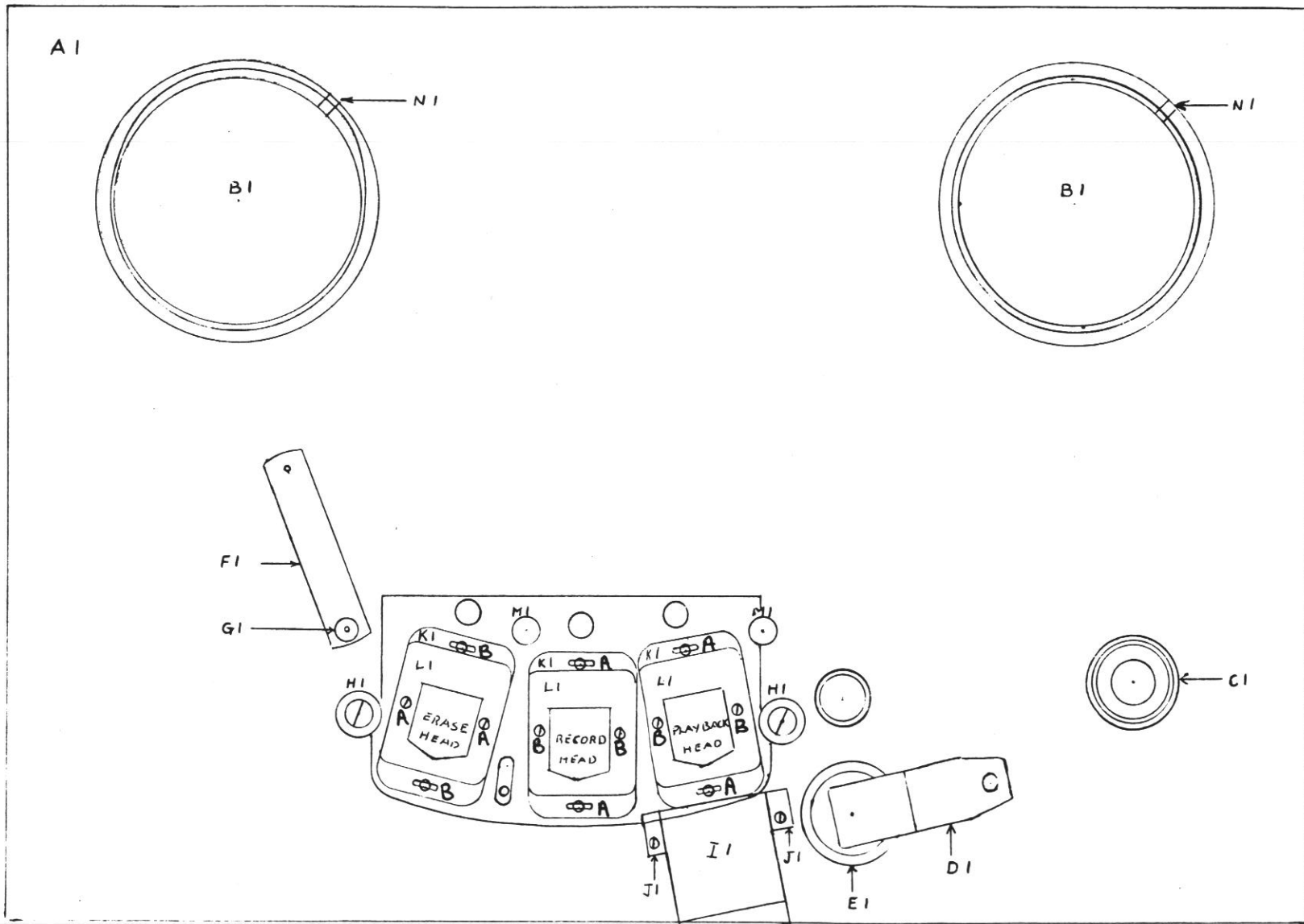
Please contact your local Allen & Heath distributor for more details.

<http://www.allen-heath.com/>

- | | NO OFF |
|------------------------|--------|
| A.1 DECK MASK | 1 |
| B.1 SPOOL HOLDERS | 2 |
| C.1 SENSEING ROLLER | 1 |
| D.1 PINCH ARM | 1 |
| E.1 PINCH WHEEL | 1 |
| F.1 AUTO STOP ARM | 1 |
| G.1 TAPE PIN | 1 |
| H.1 TAPE GUIDE | 2 |
| I.1 HEAD SCREEN | 1 |
| J.1 SCREEN HINGE | 2 |
| K.1 HEAD BASE PLATE | 3 |
| L.1 HEAD AZIMUTH PLATE | 3 |
| M.1 COVER POSTS | 2 |
| N.1 SPOOL DRIVE PIN | 2 |

SCREWS

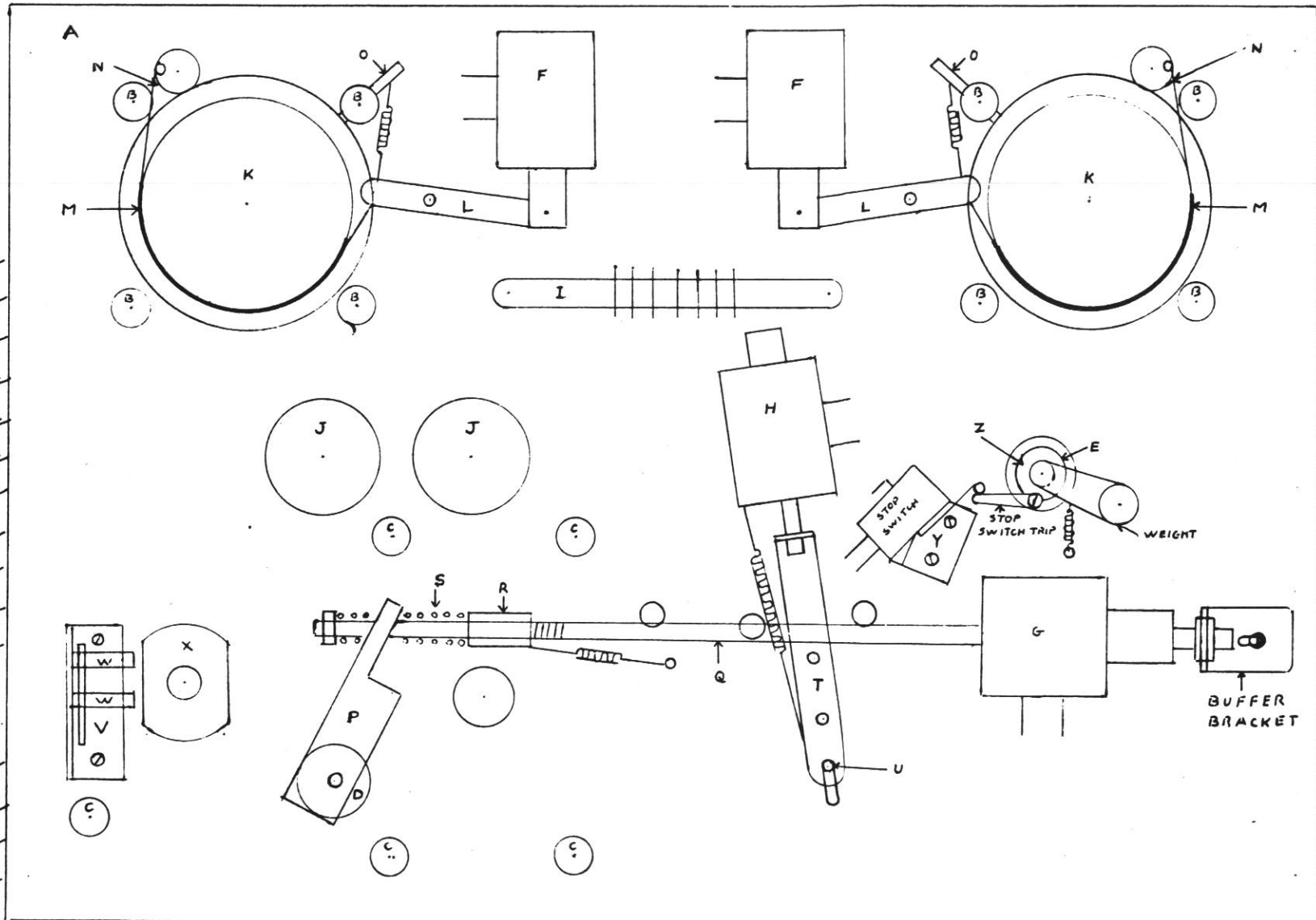
FOR ADJUSTMENT
 A AZIMUTH
 B ZENITH
 AND ROTATION.



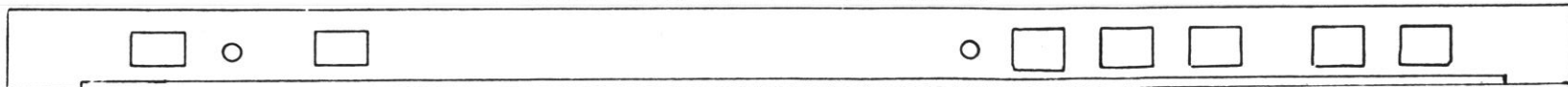
DECK MASK TOP VIEW

MINI-8-LOGIC SH-1

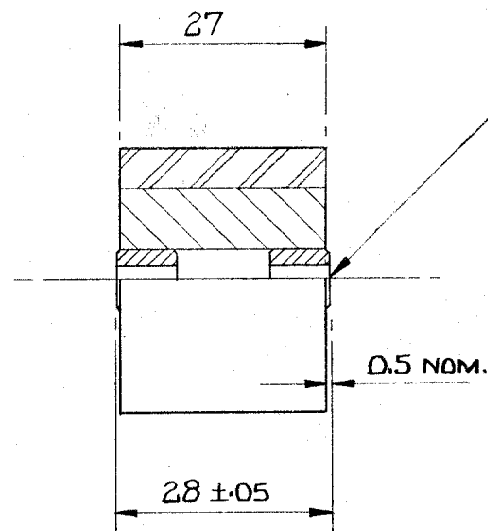
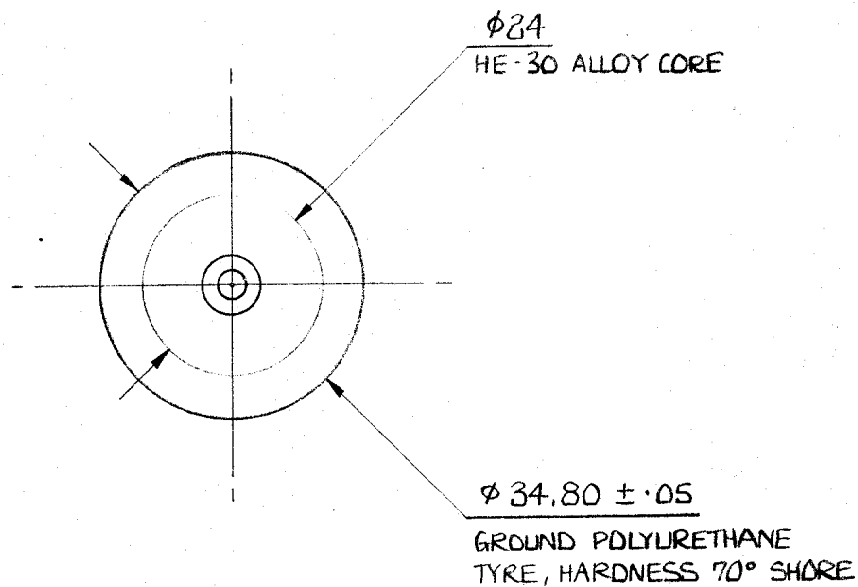
	NO	OFF
A	DECK PLATE	1
B	MOTOR POSTS.	8
C	DRIVE UNIT POSTS.	5
D	MAIN ARM BUSH	1
E	AUTO STOP BUSH	1
F	SOL. BRAKE	2
G	PINCH WHEEL SOL.	1
H	TAPE TAKOFF SOL.	1
I	CONTACT STRIP	1
J	CAPSITORS	2
K	SPOOL MOTORS	2
L	BRAKE ARM	2
M	BRAKEBAND & CORK	2
N	BRAKE ADJUSTERS	2
O	BRAKE TENSION	2
P	MAIN ARM	1
Q	SOL. PUSH BAR	1
R	TENSION BUSH	1
S	TENSION SPRING	1
T	TAPE TAKOFF BAR.	1
U	TAPE TAKOFF PIN	1
V	SENSEING BRACKET	1
W	LIGHT CELLS	2
X	SENSEING SHUTTER	1
Y	SWITCH PLATE STOP.	1
Z	AUTO STOP	1



DECK PLATE UNDERNEATH



TRANSPORT SWITCH PLATE



REAM $\phi 5/16"$
 TO SUIT OLITE BUSHES
 TYPE CFS05 x 8mm (2-0FF)
~~REAM BUSHES TO ϕ~~
 $5/32"$ (3.975 ± 0.005)
 MAKE BUSH
 REAM TO $\phi 3.990 \pm 0.005$
 FINE RUNNING FIT RECD
 ON GROUND PIN, STEEL,
 NOMINALLY $5/32"$ ϕ

MATERIAL AS STATED
 GEN. TOL. ± 0.15
 CONCENTRICITY/PARALLELISM OF ASSEMBLY BORE TO O.D. 0.013 T.I.R. MAX.
 DIMENSIONS IN mm UNLESS STATED

THIS DRG. SUPERSEDES OUR DRG. No. MBL 107 & IEC LTD. DRG. No. AB17 FOR OUR PURPOSES.

ALLEN & HEATH BRENELL LIMITED

51 D STREET, BRIGHTON, SUSSEX, BN1 1AE ENGLAND
 TEL: (0273) 24928 TELEX: 878235 MBIAHB G

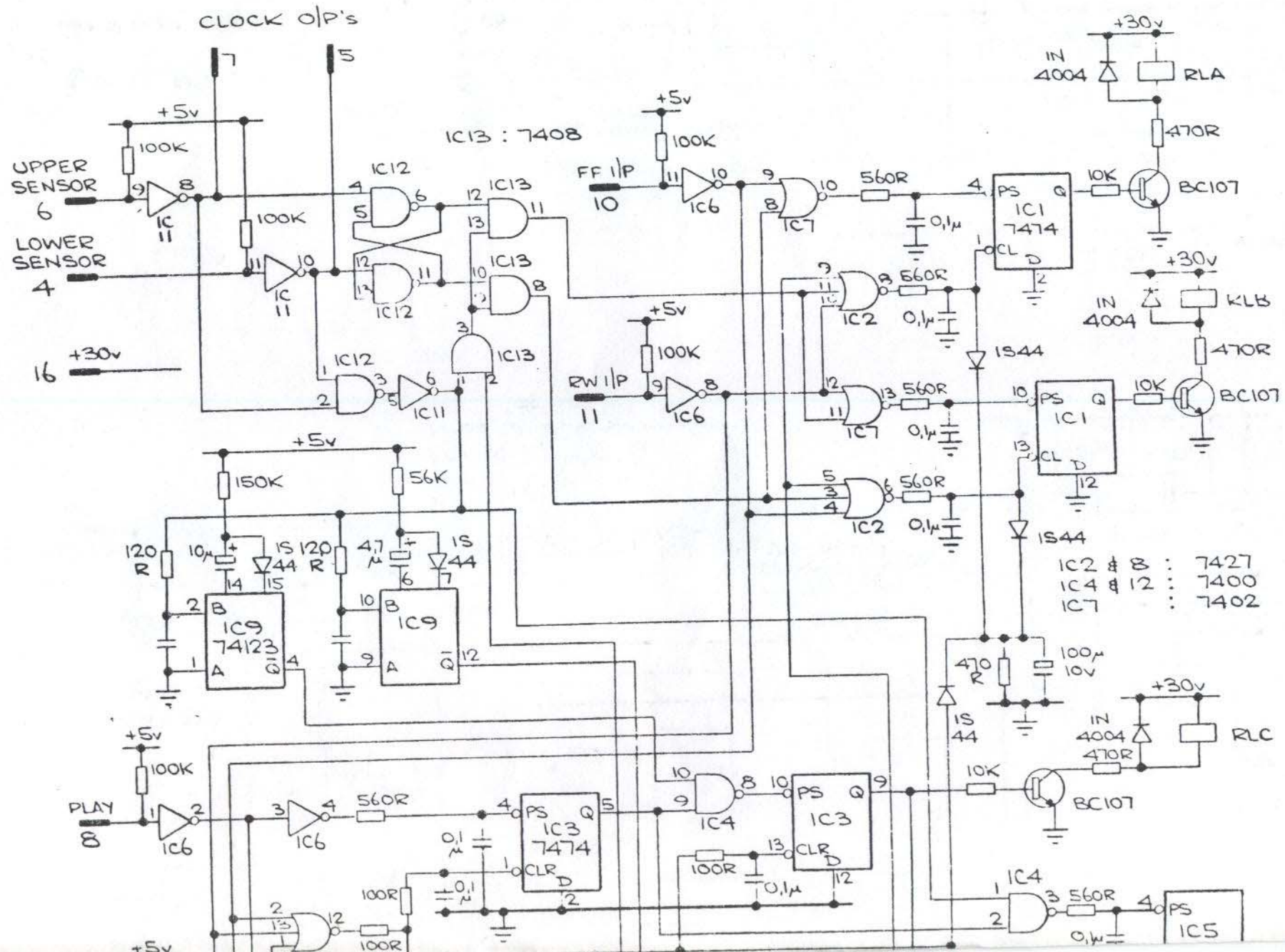
Allen & Heath / Brenell LTD

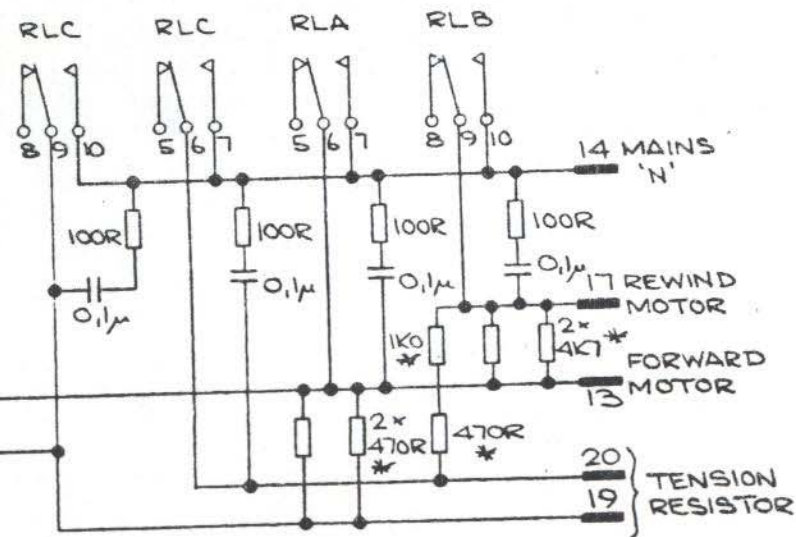
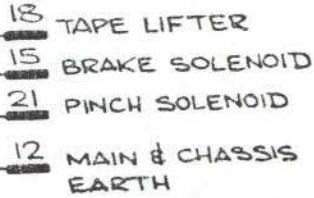
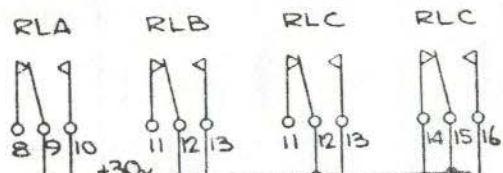
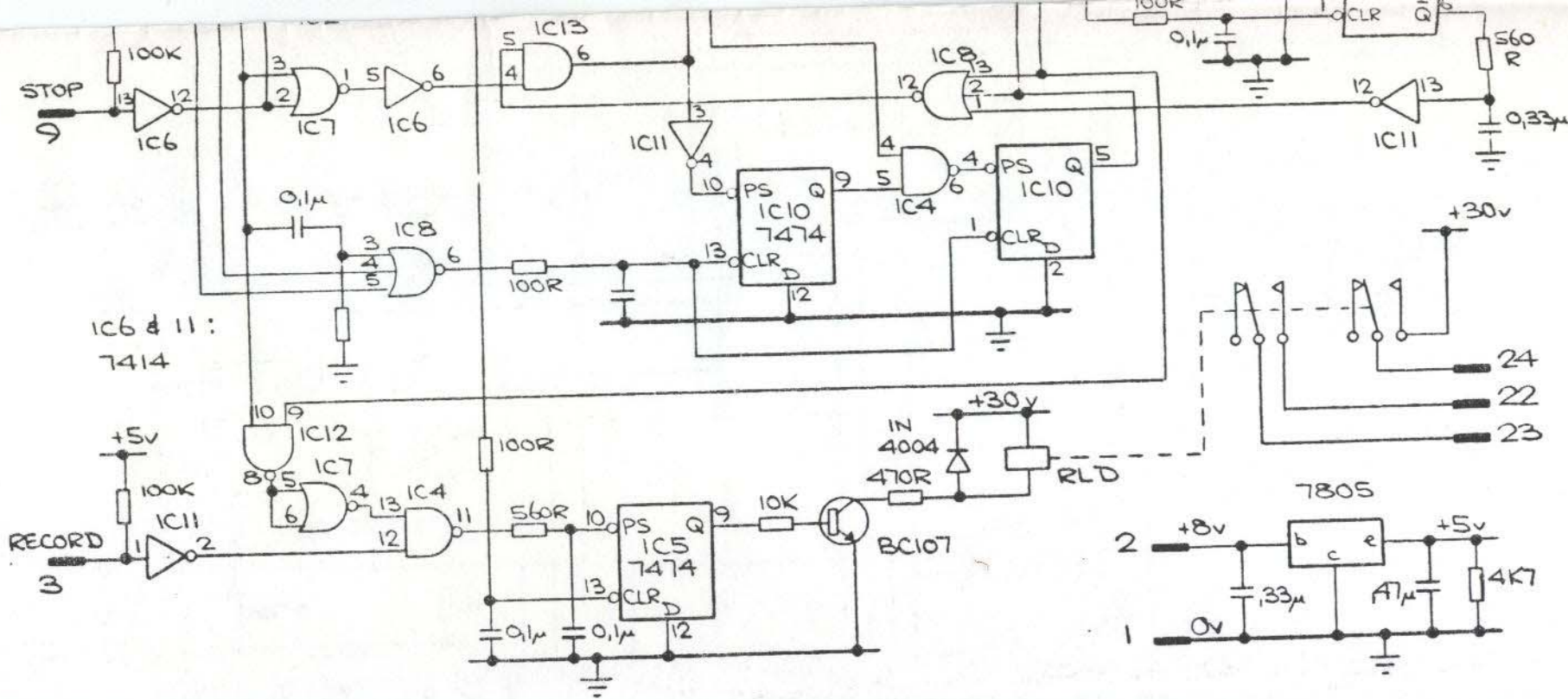
231-5 LIVERPOOL ROAD - LONDON - N1 1JY 01-607-8274
 SALES & SERVICE - PEMBROKE HOUSE - 01-340-3291
 CAMPSBOURNE ROAD - LONDON - N8 7BR

TITLE MINI-8 / PINCH WHEEL

S.C.W — 9.3.82 T.R. 9.8.84.

DRG.No. **A 091** ISS 2

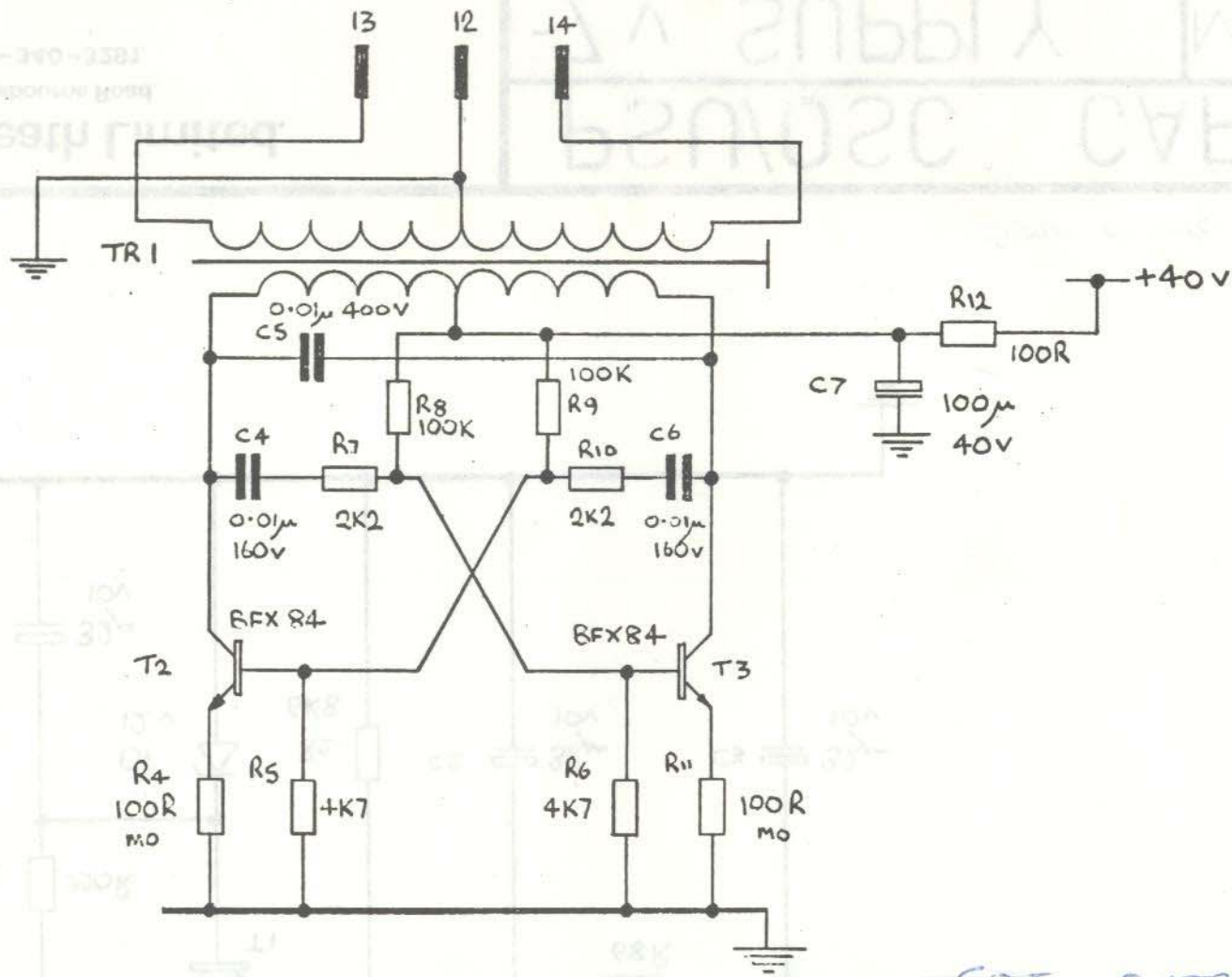




* FINAL VALUES SELECTED ON TEST

BRENELL ENG.

Mini 8' Logic Control.



SEE OVER.

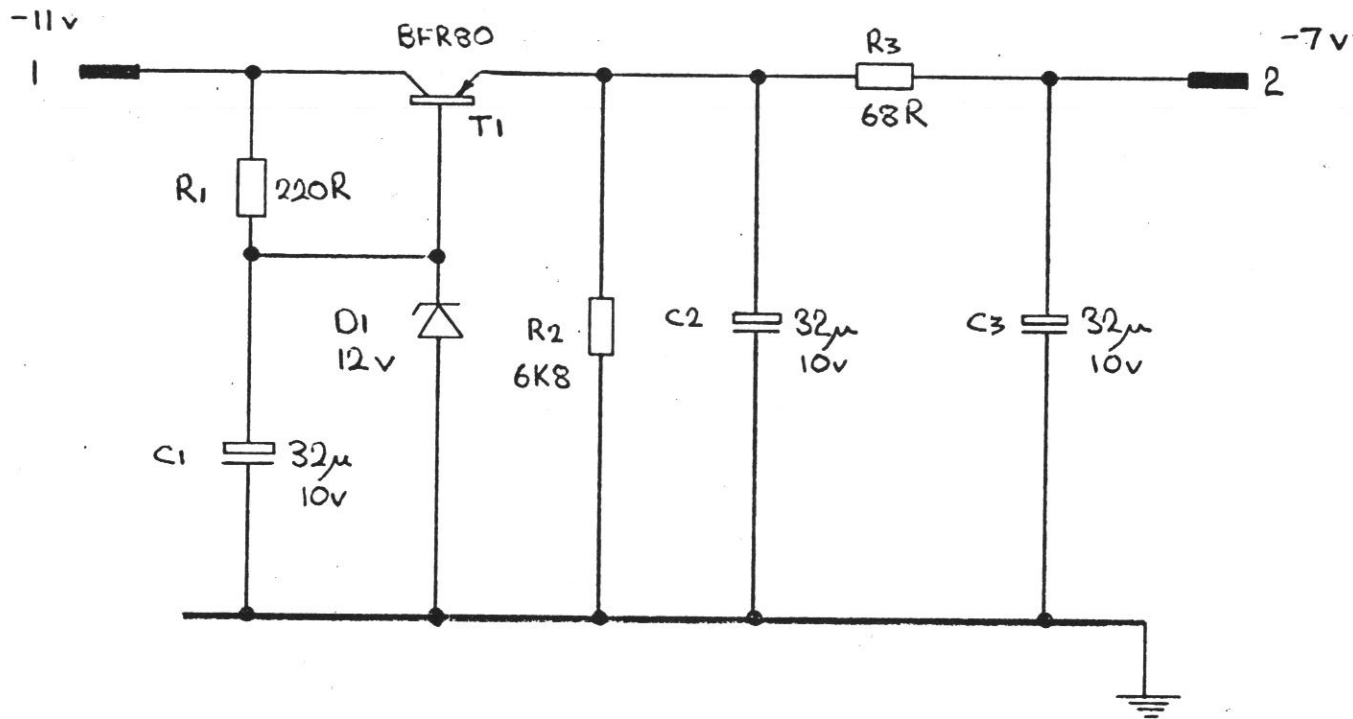
Allen and Heath Limited.

Pembroke House, Campsbourne Road.

London, N8, 7BR. Tel: 01-340-3291.

PSU/OSC CARD

MASTER OSC. MINI 8



SEE OVER.

Allen and Heath Limited.

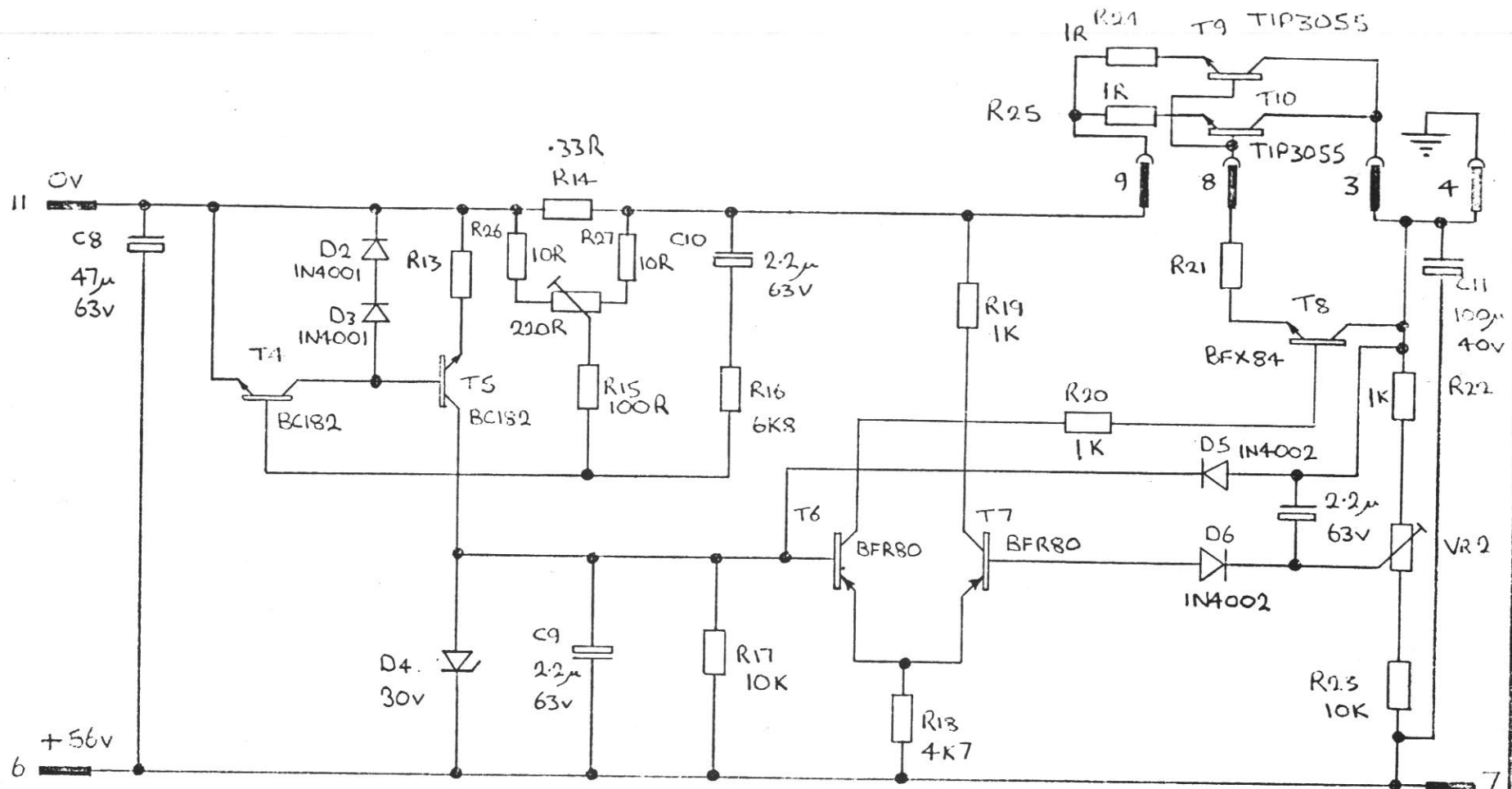
Pembroke House, Campsbourne Road.

London. N8, 7BR. Tel: 01-340-3291.

PSU/OSC CARD

-7v SUPPLY

MINI 8



SEE OVER

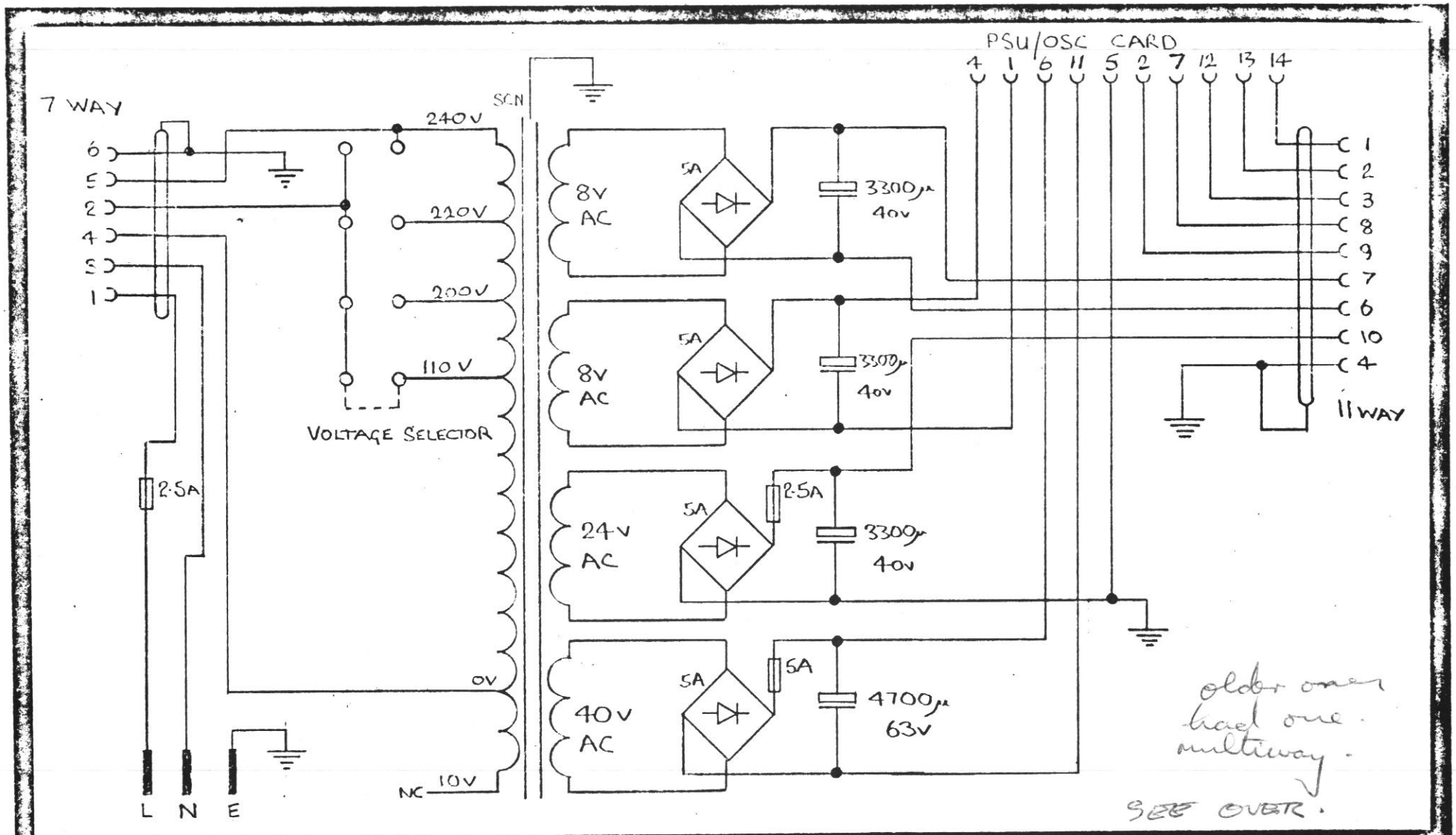
Allen and Heath Limited.

Pembroke House, Campsbourne Road.
 London. N8, 7BR. Tel: 01-340-3291.

PSU/OSU CARD

40V SUPPLY

MINI 8

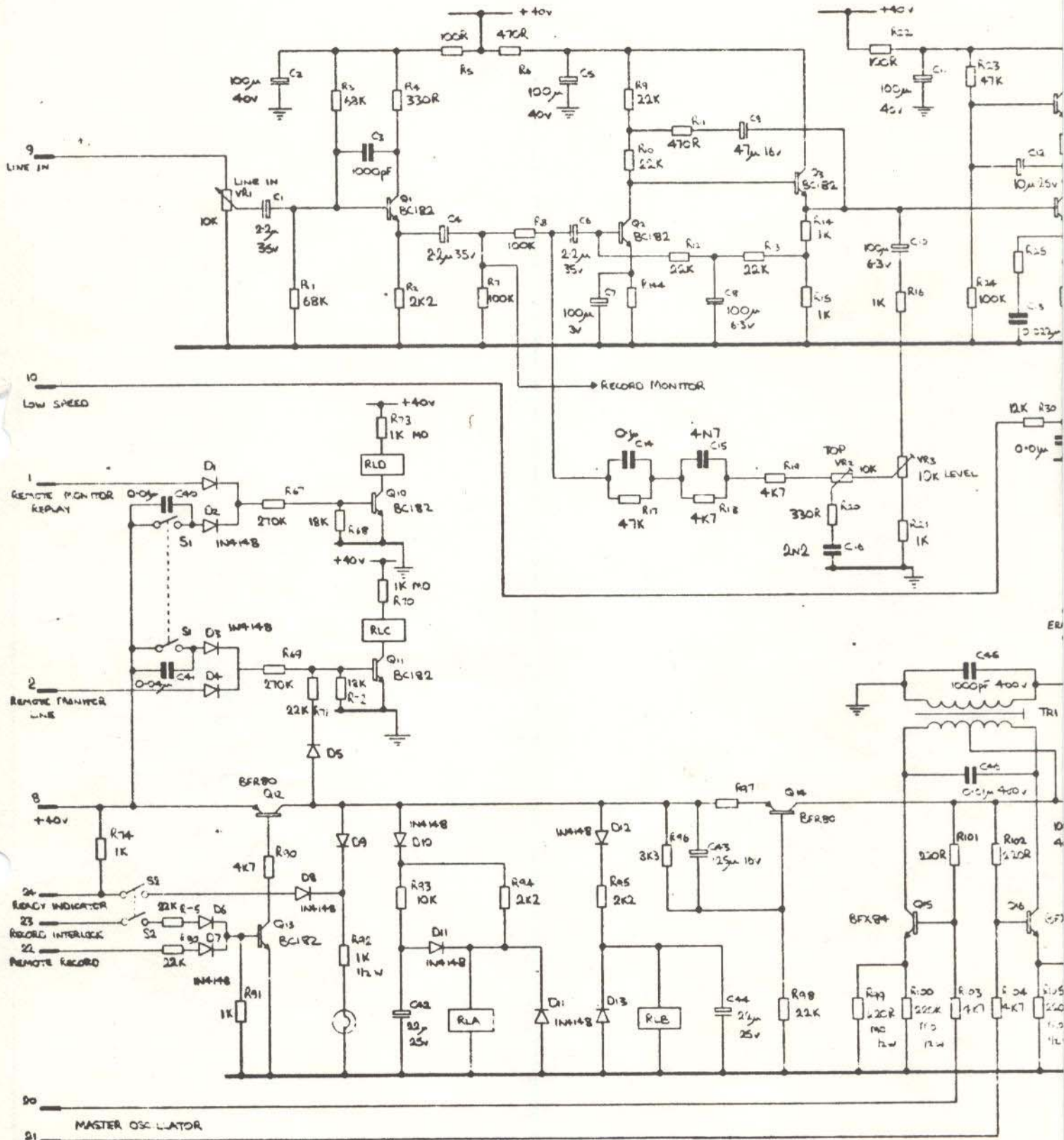


Allen and Heath Limited.

Pembroke House, Campsbourne Road.

London. N8, 7BR. Tel: 01-340-3291.

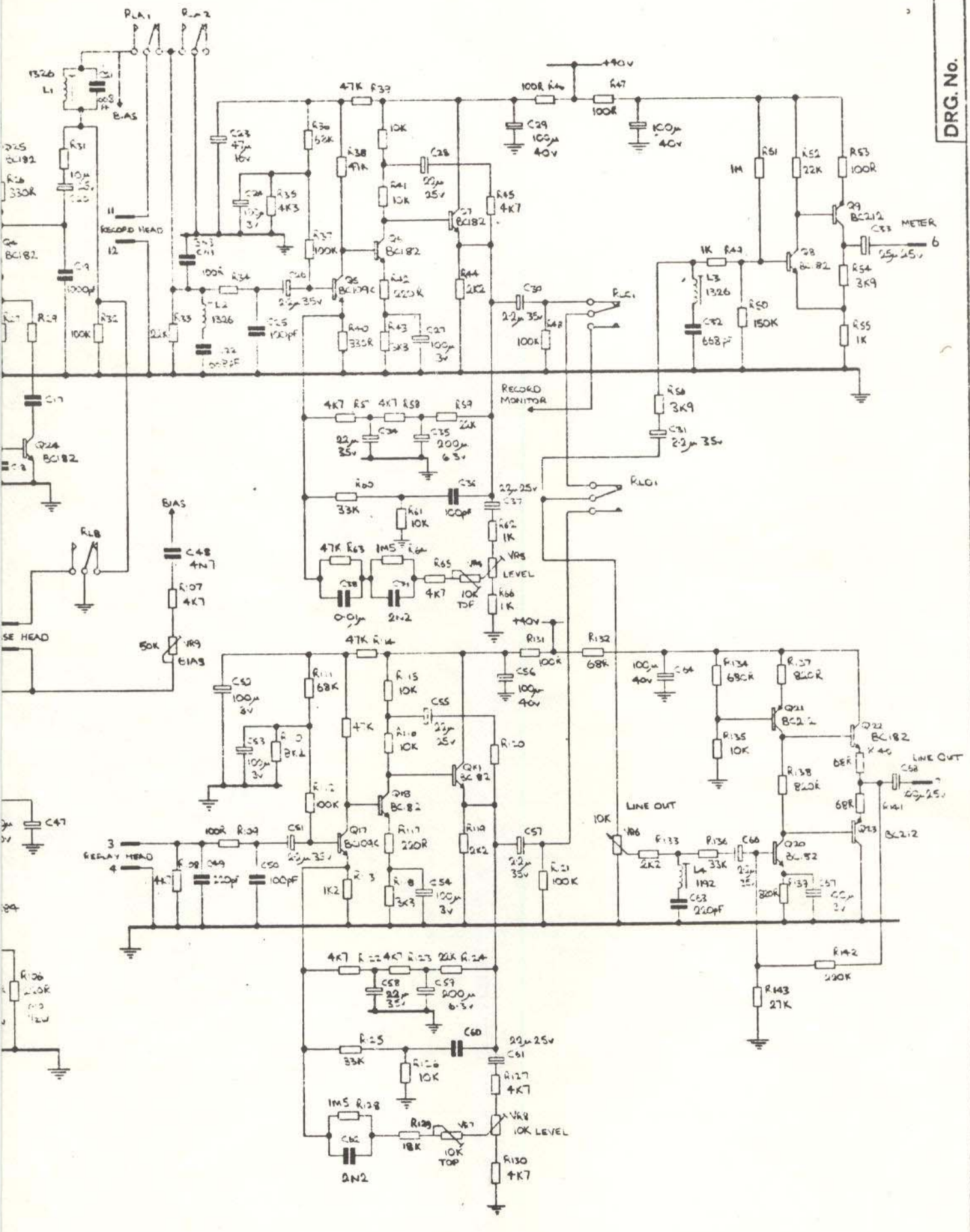
MINI 8 PSU



No.	DESCRIPTION	CHKD/APPD	DATE
	ALTERATIONS		

RECORD REPLAY AMPLIFIER

A "W" product



CARD

TC8001

DRAWN <i>[Signature]</i>	TRACED	CHECKED	APPROVED	DATE	SCALE
-----------------------------	--------	---------	----------	------	-------

DRAWING No.