

ALLEN & HEATH



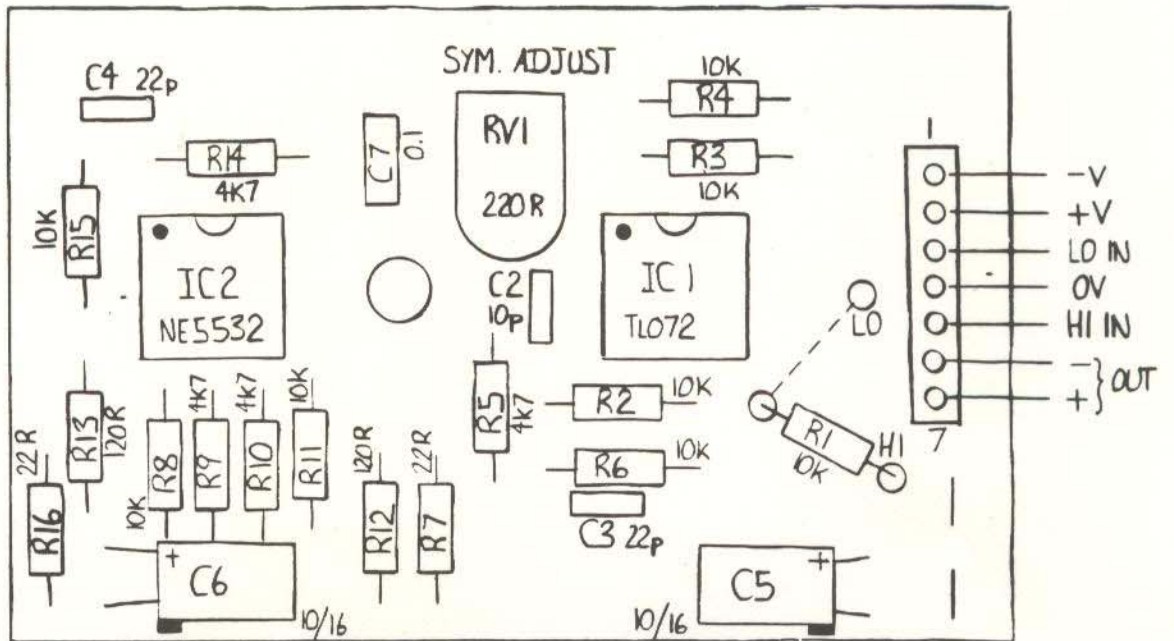
WARNING – HIGH VOLTAGES

Power Supply Unit (PSU) work should only be carried out by qualified personnel.

We recommend that you use an approved Allen & Heath service centre for all power supply work.

Please contact your local Allen & Heath distributor for more details.

<http://www.allen-heath.com/>



AHB

ALLEN & HEATH BRENNELL LTD.

PROFESSIONAL AUDIO EQUIPMENT
MANUFACTURERS

DESIGN DEPT 69, SHIP STREET, BRIGHTON BN1 1AE

Tel (0273) 24928

FACTORY KERNICK INDUSTRIAL EST PENRYN, CORNWALL

Tel (0326) 72070

DRAWING No.

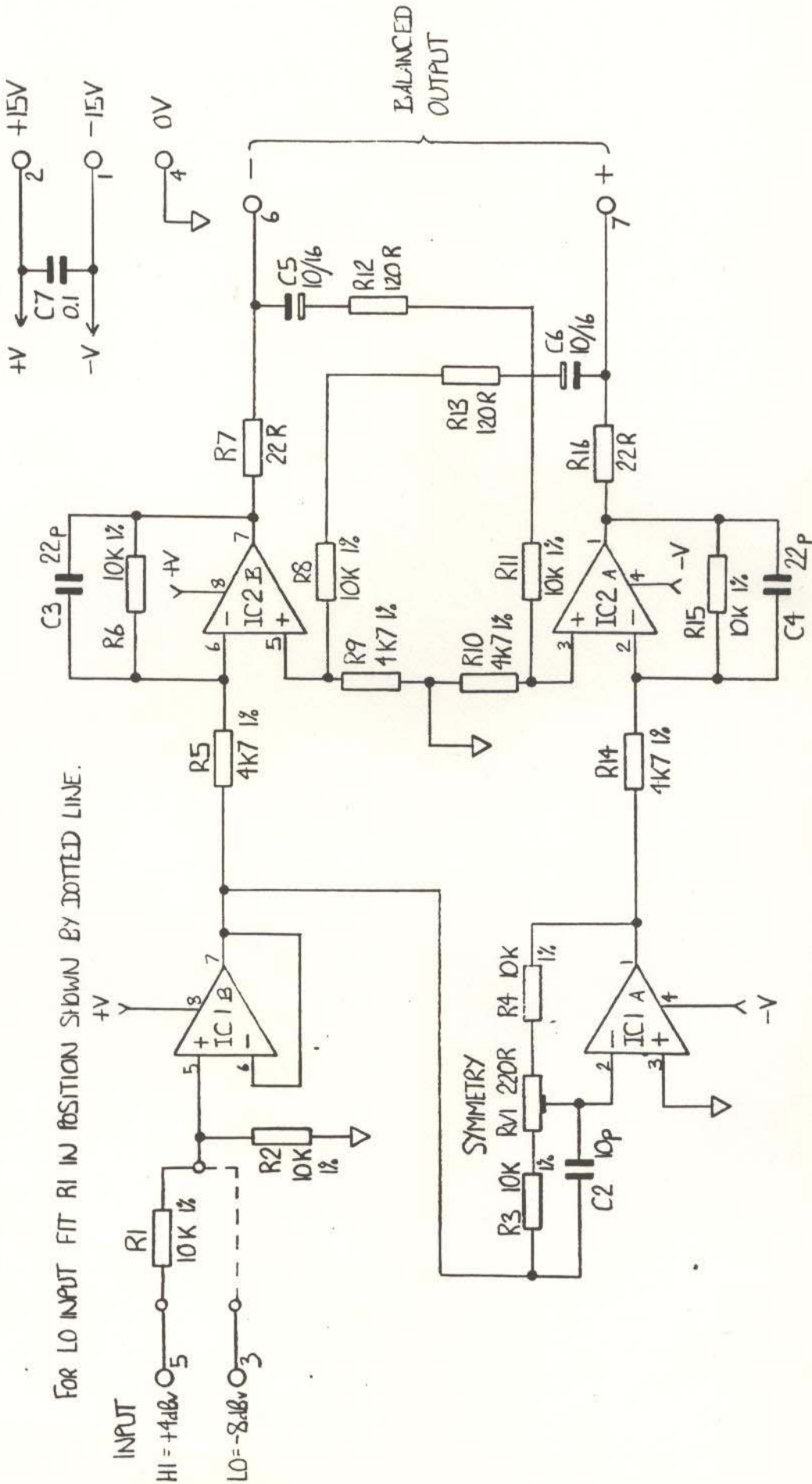
BW 192

Issue

2

ALL RESISTORS ARE 1/4 WATT 5% UNLESS MARKED OTHERWISE

FOR LO INPUT FIT R1 IN POSITION SHOWN BY DOTTED LINE.



ALLEN & HEATH BRENELL LTD
PROFESSIONAL AUDIO EQUIPMENT
MANUFACTURERS

AHB

DESIGN DEPT. BR 54P STREET, BROMFORD BR1 1AE TEL 01278 24828
FACTORY: KERRICK INDUSTRIAL EST. PENRYN, CORNWALL TR 103AA 72070

DRAWING No. A137 | Issue 2

TITLE EBOS - OPTION PCB CIRCUITS

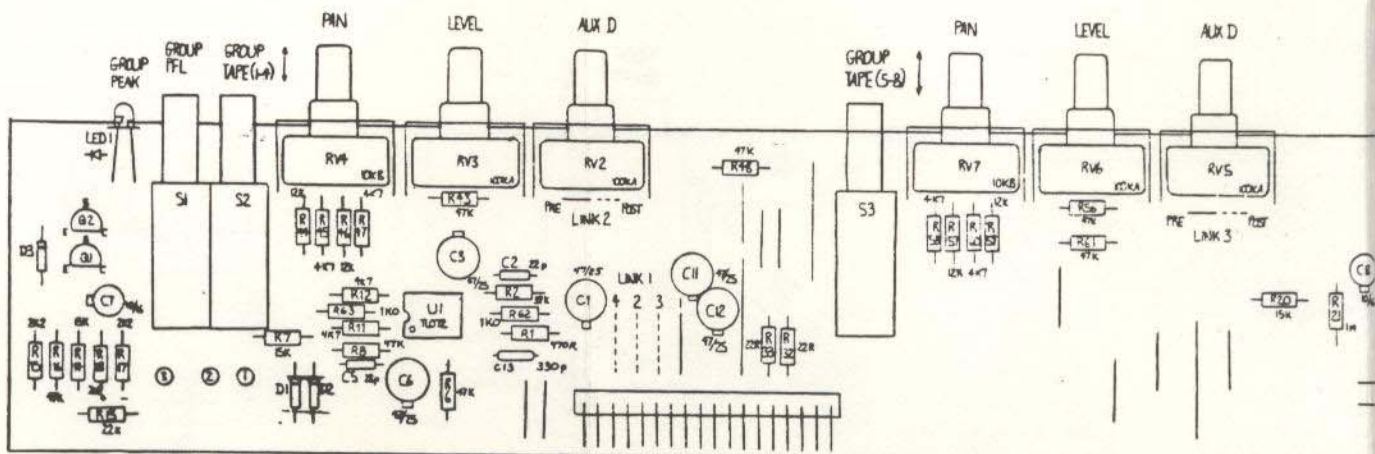
PCB TYPE AG0117 ISSUE 2

ELECTRONICALLY BALANCED OUTPUT SYSTEM

DRAWN BY CD 29-7-86

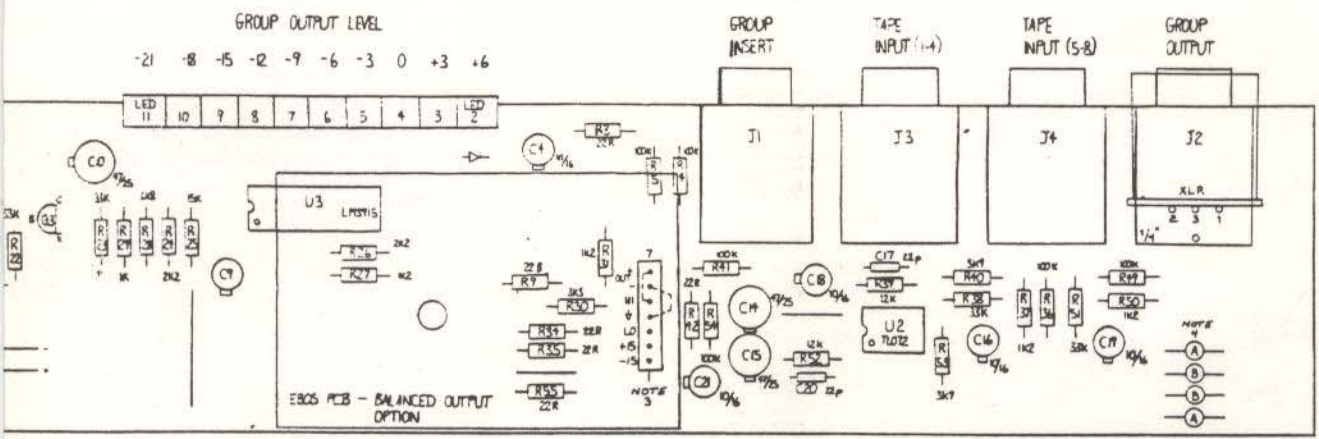
DRG No

A137 ISSUE 2



NOTE 1: 1 OF 4 JUMPERS TO SELECT GROUP #

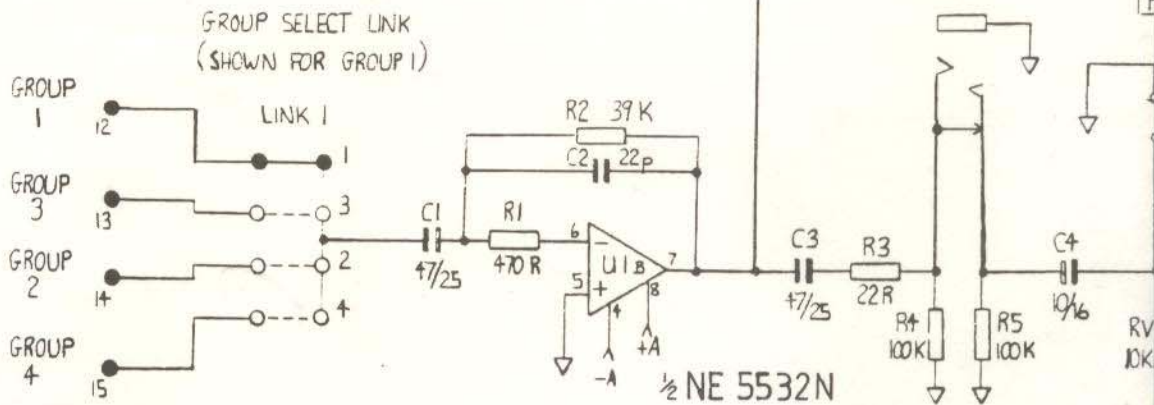
NOTE 2: LINKS 2 AND 3 SELECT AUX D SEND
PRE OR 'REST' LEVEL CONTROL
NORMALLY SET 'PRE'



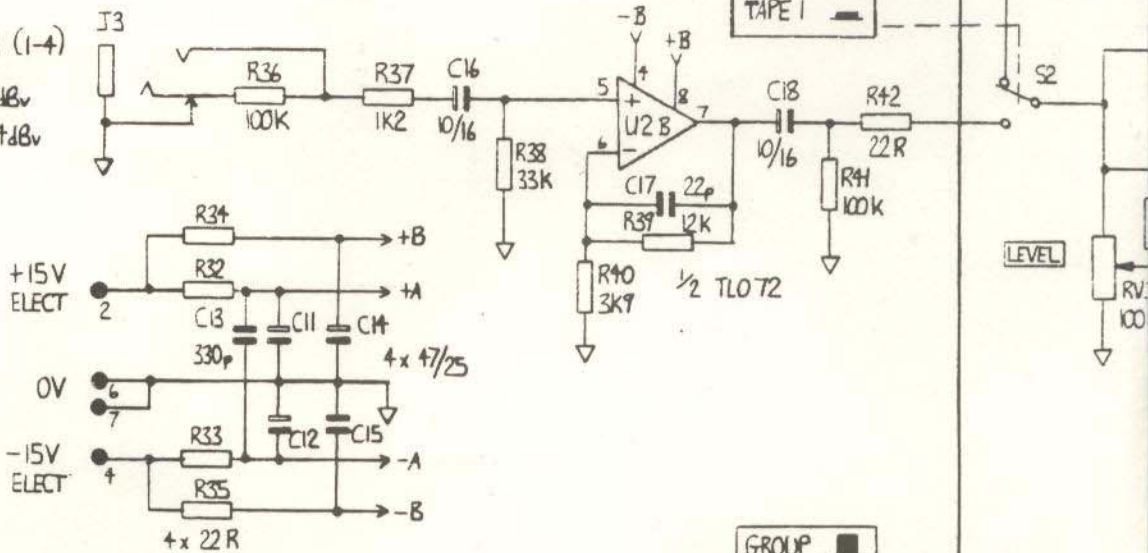
NOTE 3: FOR UNBALANCED OUTPUT LINK PIN 6 TO PIN 4, AND
 LINK PIN 7 TO PIN 5 - HI (+4dB), OR
 LINK PIN 7 TO PIN 3 - LO (-8dB)

NOTE 4: FOR J2 = 1/4" JACK, INSTALL LINKS (A)
 FOR J2 = XLR JACK, INSTALL LINKS (B)
 (PIN 3 HOT)
 FOR J2 = XLR JACK, INSTALL LINKS (A)
 (PIN 2 HOT)

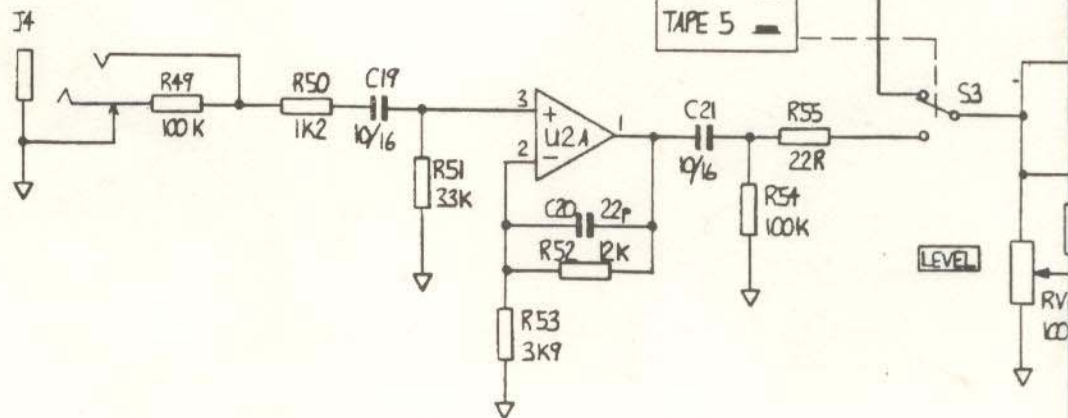
AHB SR GROUP-2 16071
 PARTS PLACEMENT 2:1 ISSUE 2



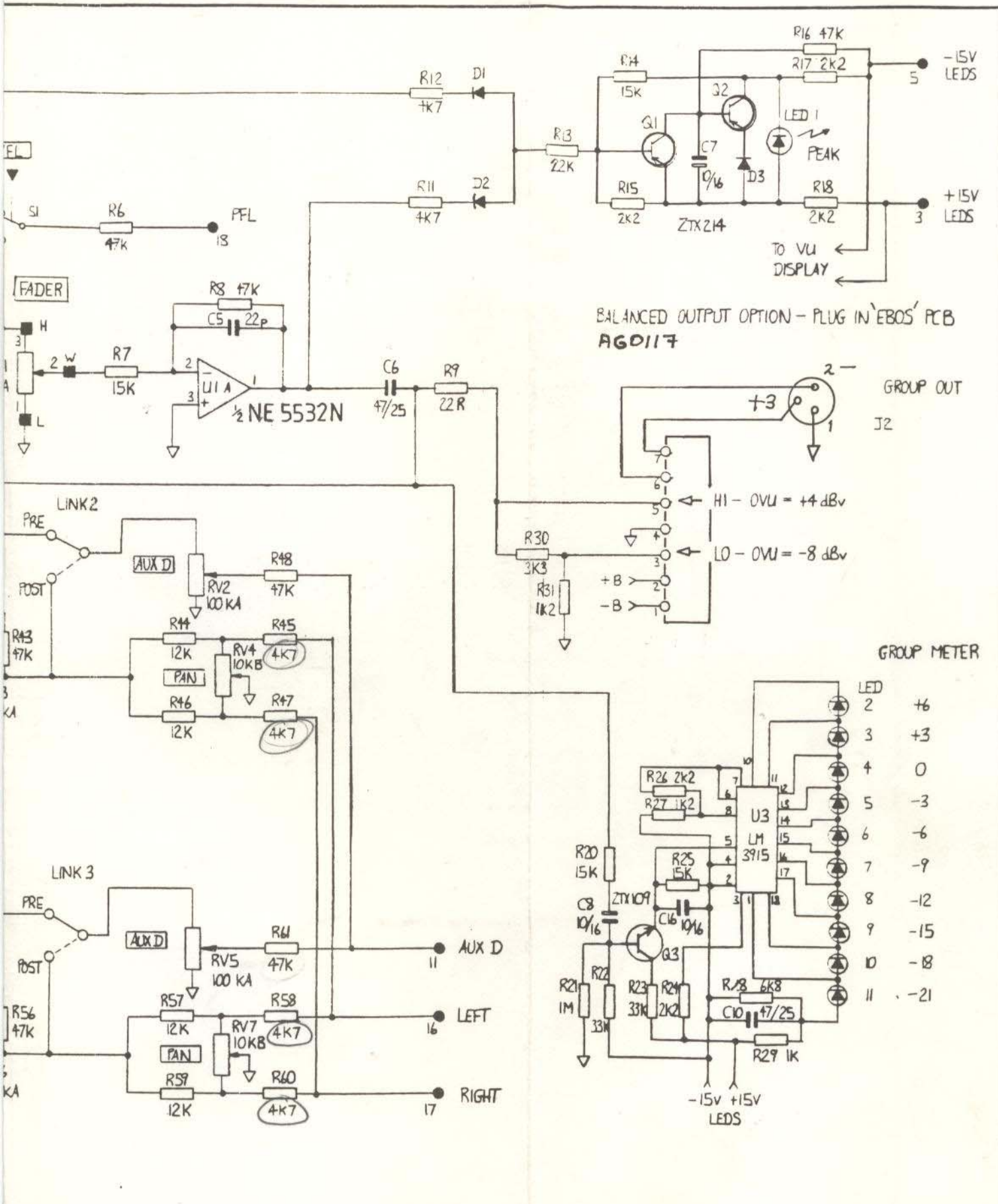
TAPE IN (1-4)
TIP = LO -8dBv
RING = HI +4dBv



TAPE IN (5-8)
TIP = LO -8dBv
RING = HI +4dBv



STANDARD NOTES		MATERIAL		TOLERANCES	
ALL DIMENSIONS IN mm				GENERAL ±0.25 mm	
DO NOT SCALE DRAWING				HOLE CENTRES ±0.15 mm	
THIRD ANGLE PROJECTION				HOLE SIZES ±0.10 mm	
REMOVE ALL BURRS & SHARP EDGES					
CP	ORIGIN	29-78		UNLESS STATED OTHERWISE	
REVISION		DATE	CHECKED		
SCALE					



BALANCED OUTPUT OPTION - PLUG IN 'EBOS' PCB
AG0117

GROUP METER

FINISH

NOTES
 ● IDC PIN
 → INTERNAL PCB CONN.
 ■ WIRING PAD
 ALL SWITCHES SHOWN 'OUT'

UNIT TITLE
 SRC SERIES CIRCUIT DETAIL

DRAWING TITLE
 GROUP-2 PCB AG0171 ISSUE 2

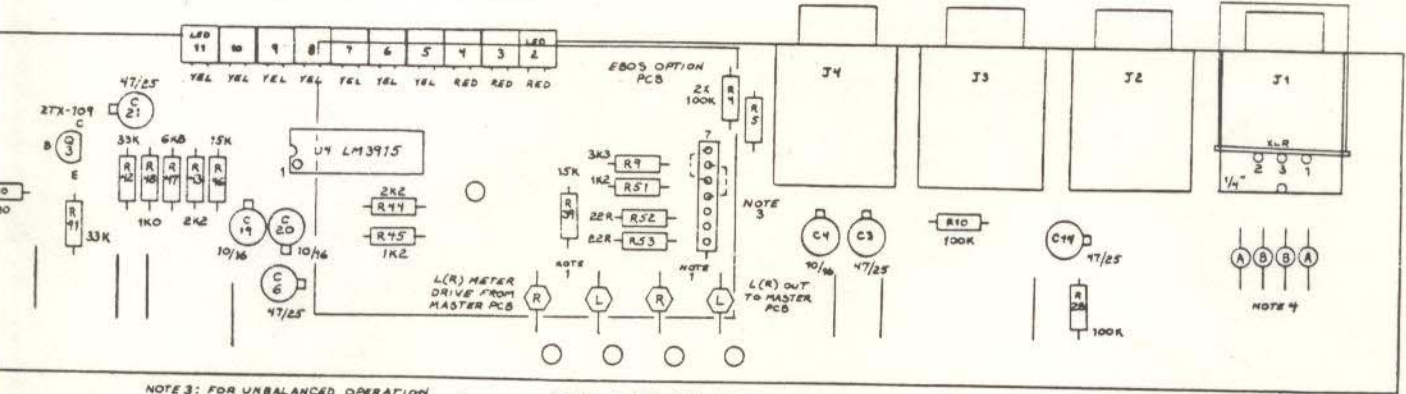
AHB ALLEN & HEATH SPECIAL LTD
 PROFESSIONAL AUDIO EQUIPMENT MANUFACTURERS

DESIGN COPY 20 SHIP STREET BUNGAY SUFFOLK IP19 1DU
 FACTORY WIMBORNE INDUSTRIAL EST. PENNYRICH CORNWALL PL36 7PB

Issue 2

L(R) MONITOR METER 0 VU: +4dB.
 -21 -18 -15 -12 -9 -6 -3 0 +3 +6

L(R) INSERT EFX RPN 1 (2) AVE A (B) OUT L(R) OUT

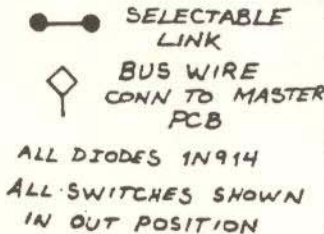
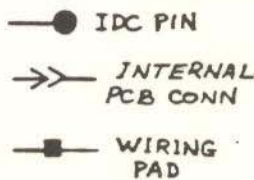
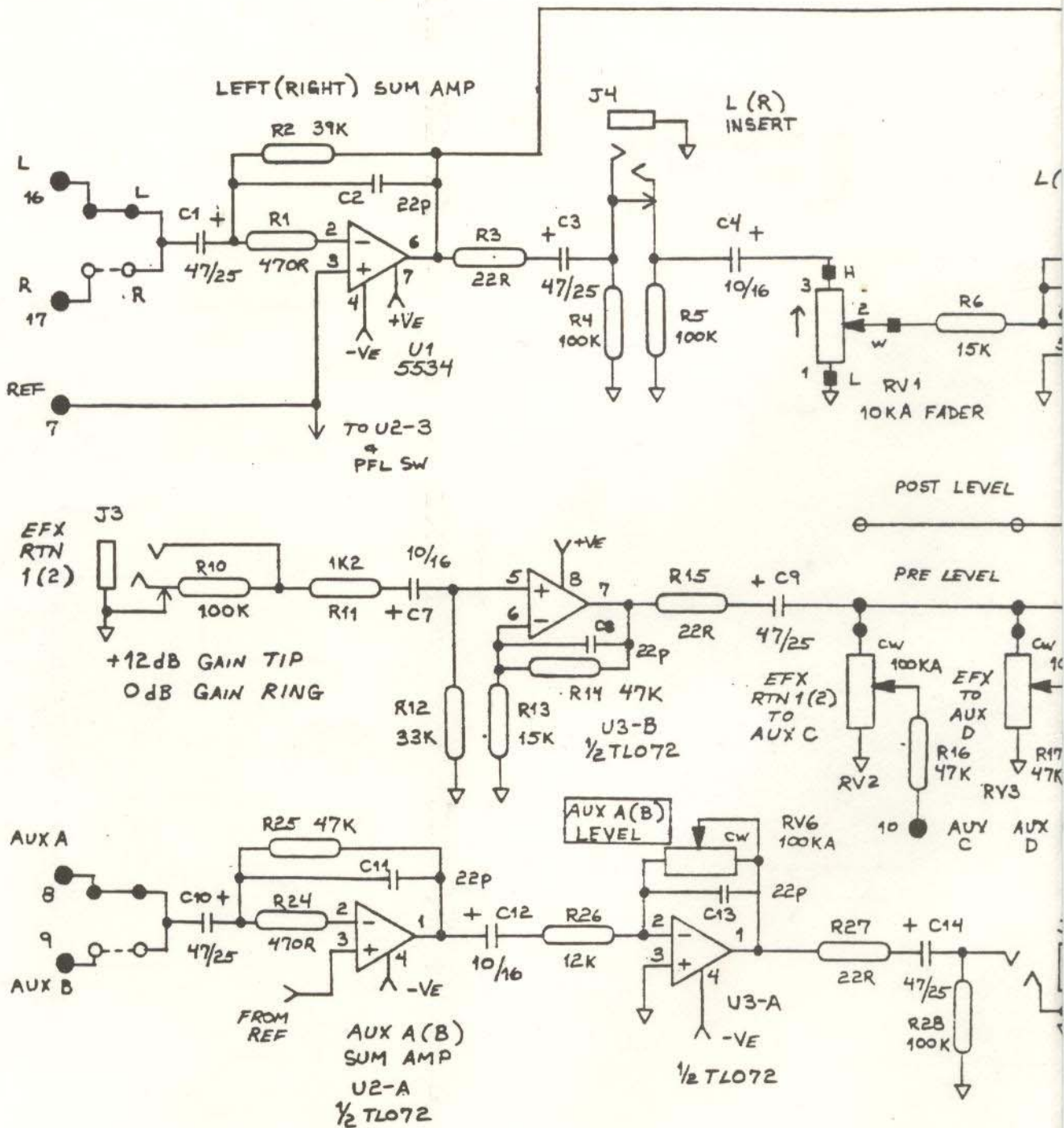


NOTE 3: FOR UNBALANCED OPERATION
 LINK PIN 6 TO PIN 4 AND
 LINK PIN 7 TO PIN 5 FOR HI (+4dBV)
 OR LINK PIN 7 TO PIN 3 FOR LO (-8dBV)

INSTALL 4 BUSS BARS BETWEEN
 L, R AND MASTER PCB'S

NOTE 4: FOR J1 = 1/4" JACK, INSTALL LINKS (A)
 FOR J1 = XLR JACK, INSTALL LINKS (B)
 (PIN 3 HOT)
 FOR J1 = KLR JACK, INSTALL LINKS (A)
 (PIN 2 HOT)

AHB SR L/R PCB AG0112 PARTS PLACEMENT 2:1 ISSUE 2

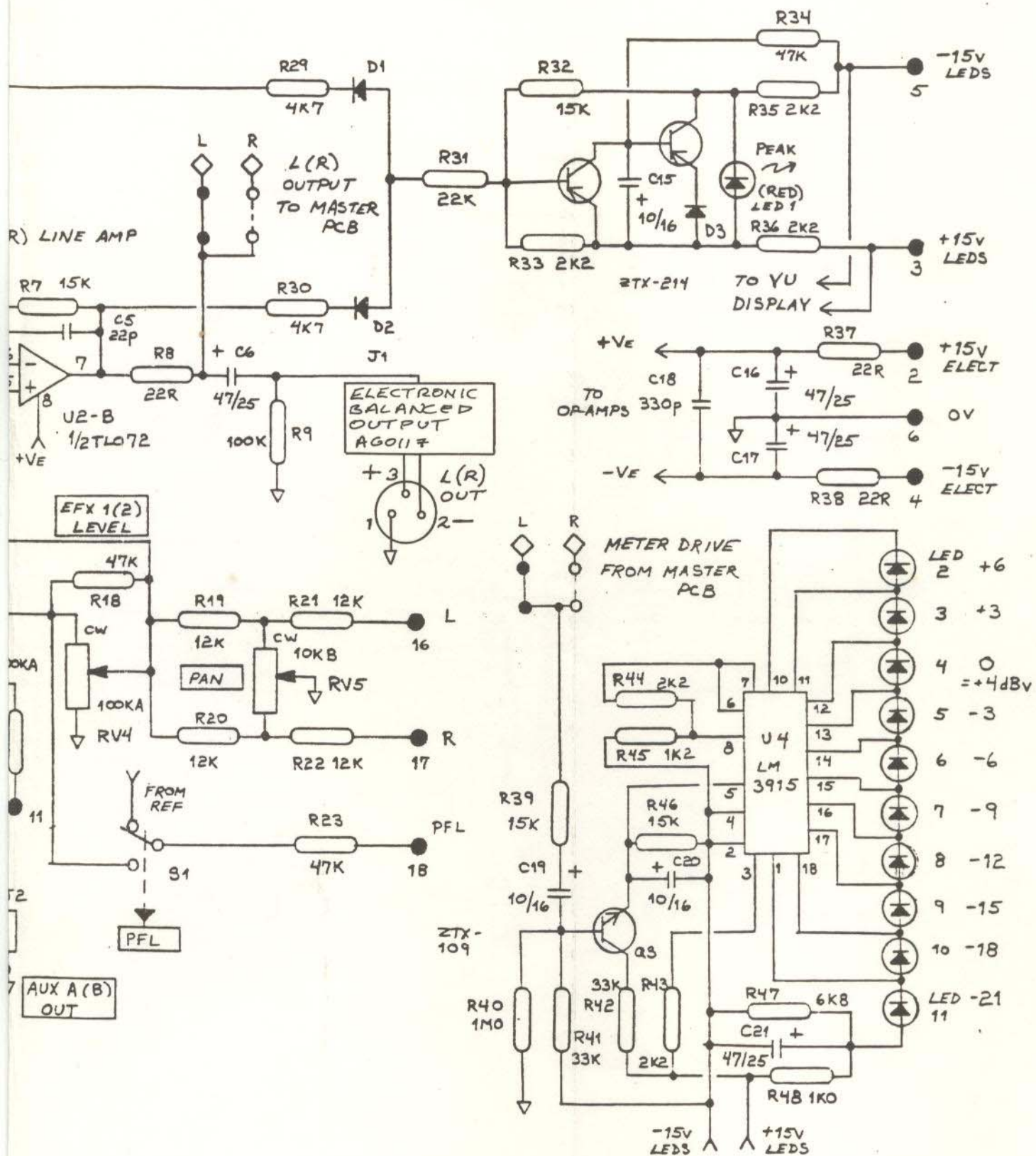


LAST USED

R 48	D3
C 21	LED 11
U 4	RV 6
Q 3	S 1

AHB SR SERIES

SRC. LEFT/RIGHT



CIRCUIT DETAIL

DRAWN JP

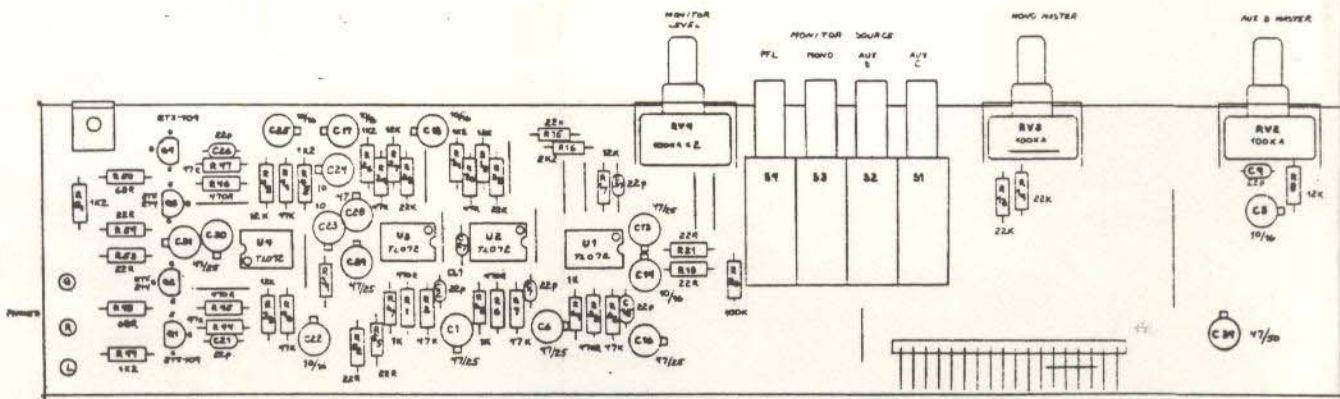
TRACED

CHECKED JP

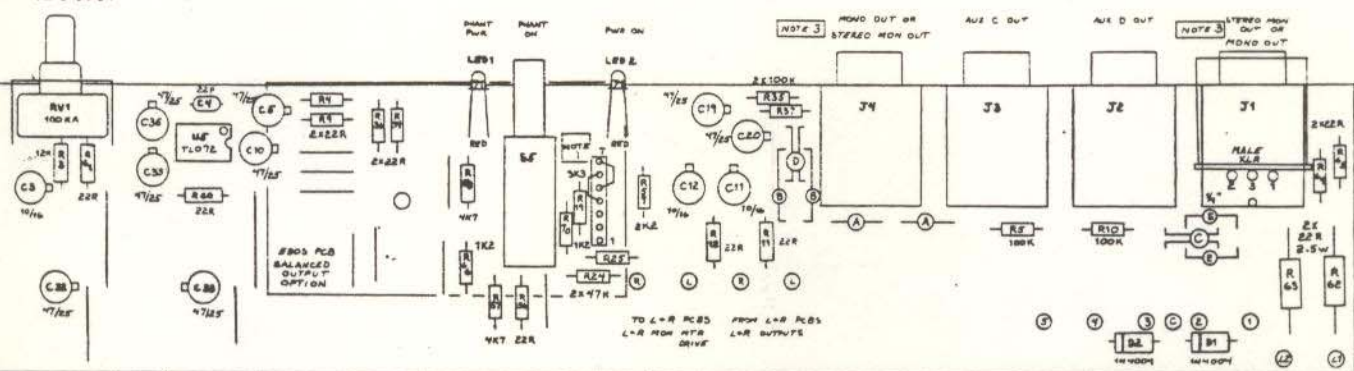
APPROVED

DATE 16/3/88

PCB AGO112 ISSUE 3



AHB SR MASTER



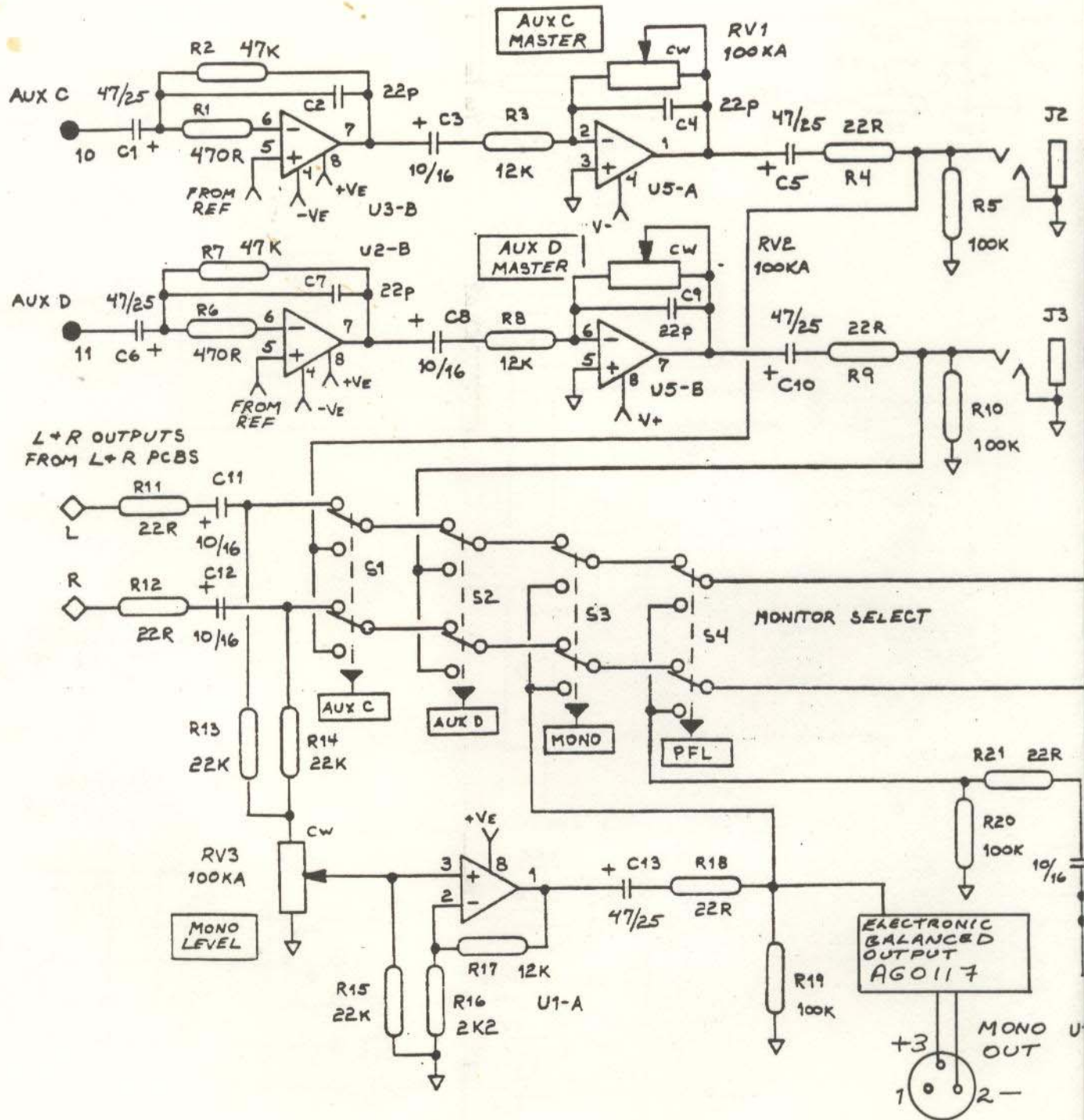
NOTE 1: FOR MK III ONLY (XLR OUT)
 HEADER NOT USED ON MK I OR MK II
 FOR UNBALANCED MONO OUTPUT
 LINK PIN 6 TO PIN 4 AND
 LINK PIN 7 TO PIN 5 - 11 (+48V)
 OR LINK PIN 7 TO PIN 3 - 10 (-84V)

NOTE 2: FOR MK I & MK II
 J4 = MONO OUT 1/4"
 J1 = MONITOR OUT 1/4"
 FIT LINKS (2 PLACES EA.) (A) (B) (C)
 FOR MK III
 J4 = MONITOR OUT 1/4"
 J1 = MONO OUT XLR
 FIT LINKS (2 PLACES EA.) (D) (E) FOR PIN 3 NOT
 OR (D) (C) FOR PIN 2 NOT

4 BUS BARS TO L-R PCBs

NOTE 3: FOR MK I & II
 J4 = MONO OUT 1/4" AND
 J1 = MONITOR OUT 1/4"
 FOR MK II, J4 = MONITOR OUT 1/4"
 J1 = MONO OUT XLR.
 PIN OUTPUT FROM 5 PIN CANNON . 1-5 TO PADS 1-5
 CHASSIS TO PAD C . BNC LAMP SOCKETS TO L1 AND L2
 1. -15V 2. 0V 3. 0V 4. +15V 5. +8V

AHB SR MASTER AGO113 PARTS PLACEMENT 2:1 ISSUE 2



- IDC PIN
- INTERNAL PCB CONN
- WIRING PAD
- ◇ BUSS WIRE CONN TO L+R PCBs

ALL OPAMPS
TLO72

ALL SWITCHES
SHOWN IN OUT
POSITION

LAST USED

R 62

C 36

U 4

Q 4

D 2

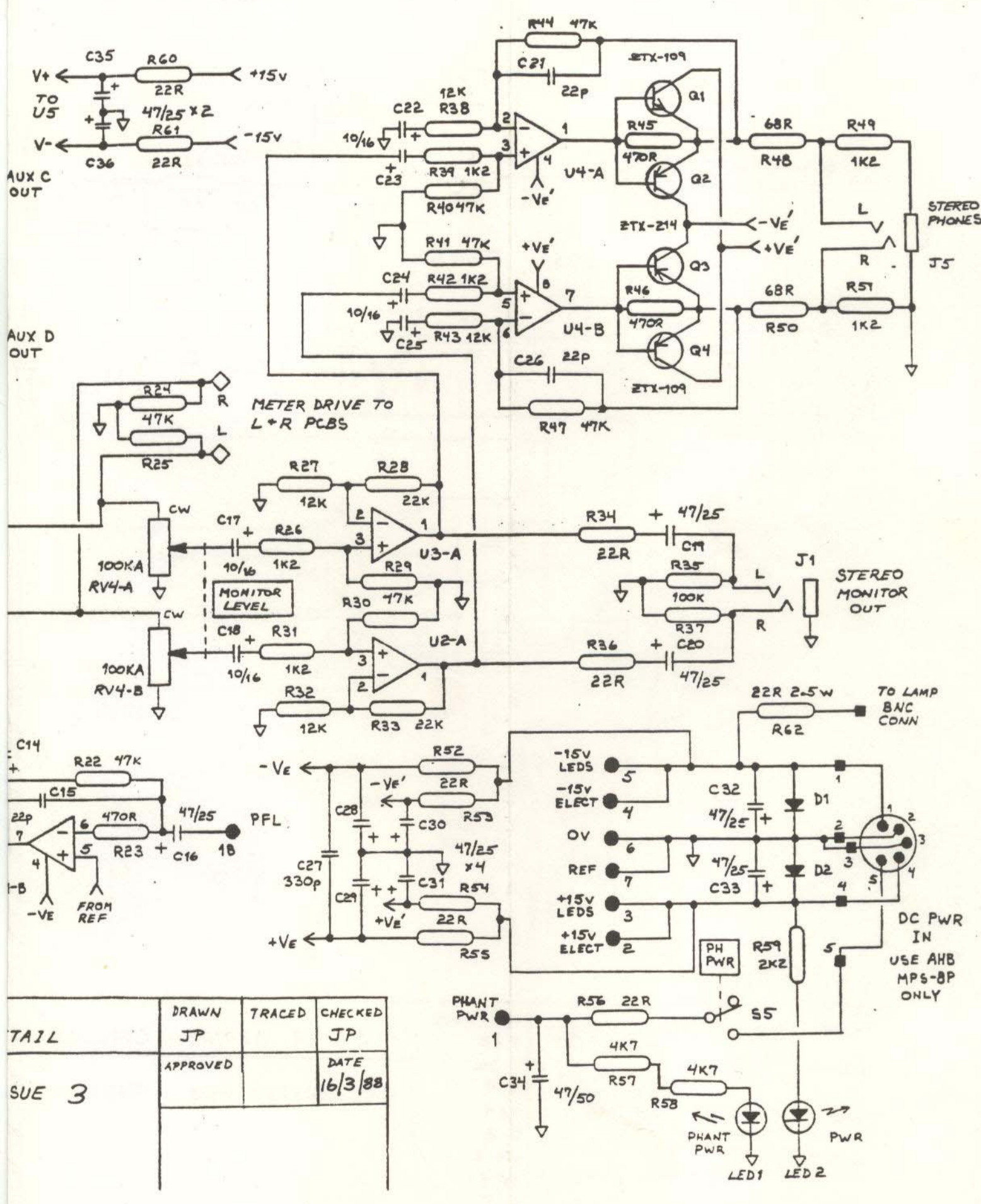
LED 2

RV 4

S 5

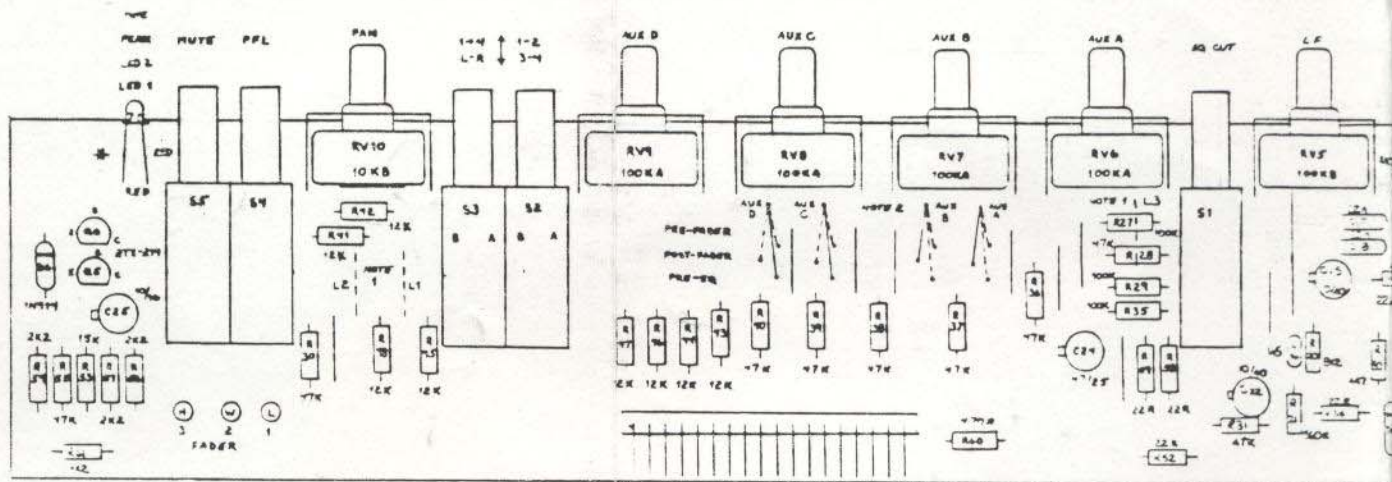
AHB SR SERIES CIRCUIT DE

SRC MASTER PCB AGO113 IS



TAIL	DRAWN JP	TRACED	CHECKED JP
SUE 3	APPROVED		DATE 16/3/88

Issue 1 overlay



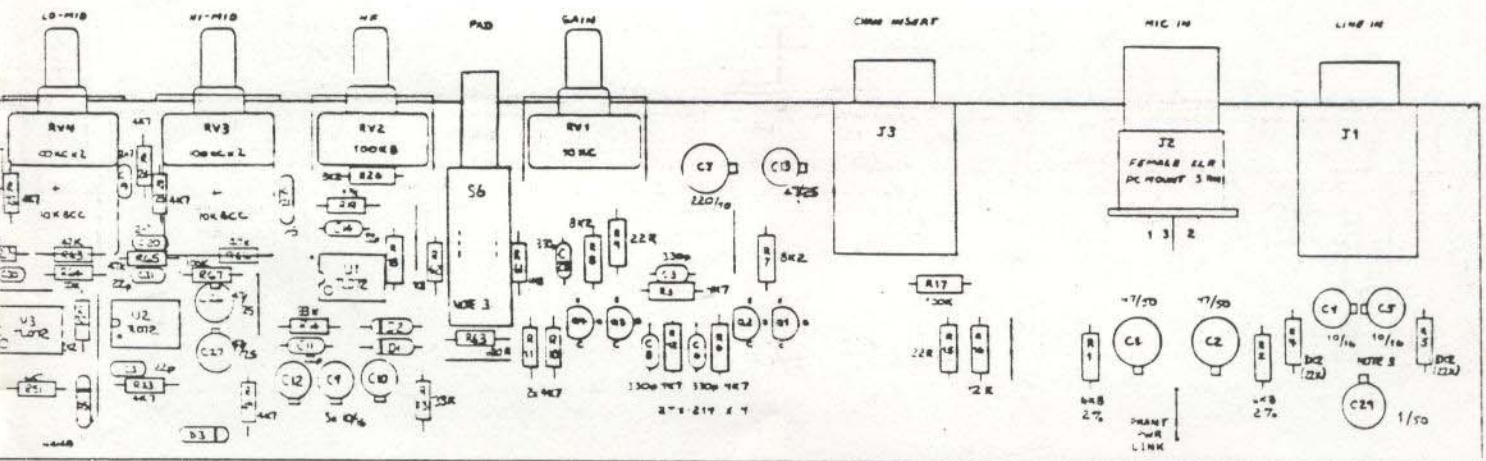
NOTE 1: DIAGRAM IS FOR 4-BUSS INPUT. FOR 2 BUSS OMIT THE FOLLOWING PARTS AND INSTALL 3 JUMPERS WHERE NOTED.

OMIT R27, R28, R35, R43, R44, R46, R47
 REPLACE R36 WITH JUMPER
 OMIT: S1, S2, S3, S5

NOTE 2: AUX SENDS CAN BE SET FOR PRE-EQ, POST-EQ, OR MON SENDS AS SHOWN.

AUX A - B POST FADER (EFF SENDS)
 AUX C - D PRE-EQ (MON SENDS)

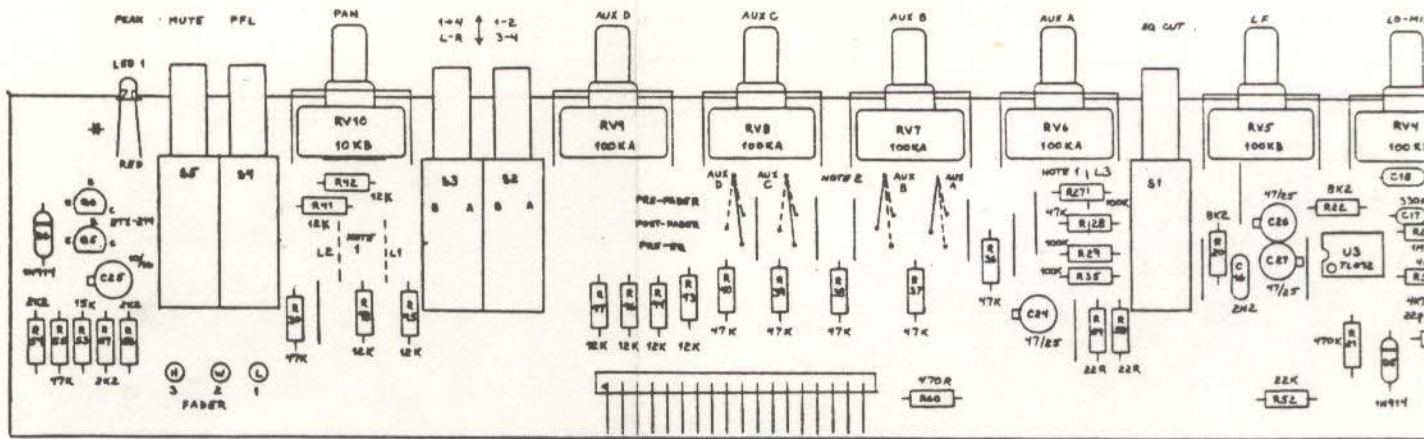
Issue 1 overlay



FADER OR NOY-FADER
 NOTE 3: DIAGRAM IS FOR CHANNEL WITH RED SWITCH
 FOR CHANNEL WITHOUT RED SWITCH OMIT R1, R2, R3, S6
 AND INSTALL 2 JUMPERS WHERE NOTED
 REPLACE R4 AND R5 WITH 22K RESISTORS

AMB SRC SE INPUT AG0230 PARTS PLACEMENT 2:1 ISSUE 1

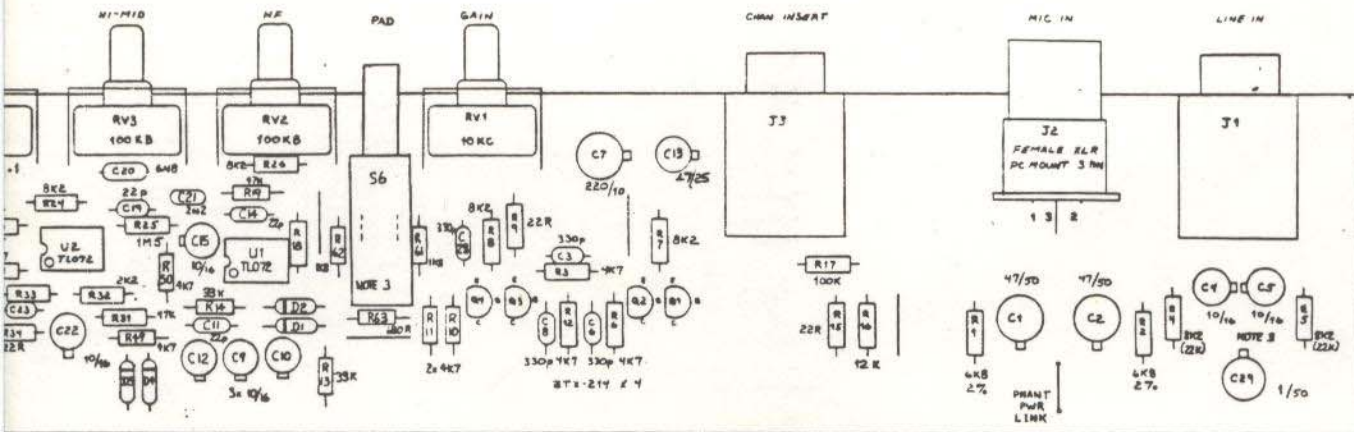
CR 6/86
 TRP 7/87



NOTE 1: DIAGRAM IS FOR 4-BUSS INPUT. FOR 2 BUSS OMIT THE FOLLOWING PARTS AND INSTALL 3 JUMPER WHERE NOTED
 OMIT: R27, R28, R35, R43, R44, R46, R47
 REPLACE R36 WITH JUMPER
 OMIT: S1, S2, S3, S5
 INSTALL LINKS L1, L2, L3

NOTE 2: AUX SENDS CAN BE SET FOR PRE-EQ, PRE-FADER, OR NORM (DIFF IS AS SHOWN)
 AUX A - B POST-FADER (EFF SENDS)
 AUX C - D PRE-EQ (MON SENDS)

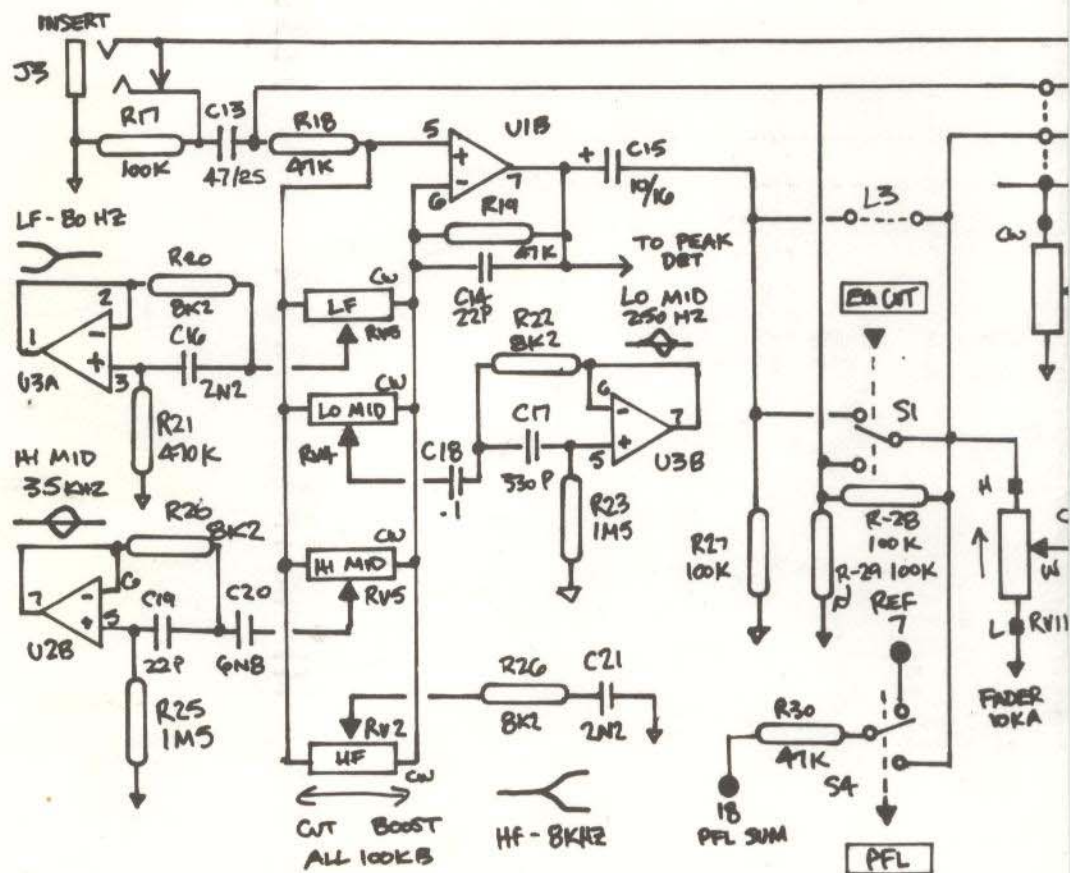
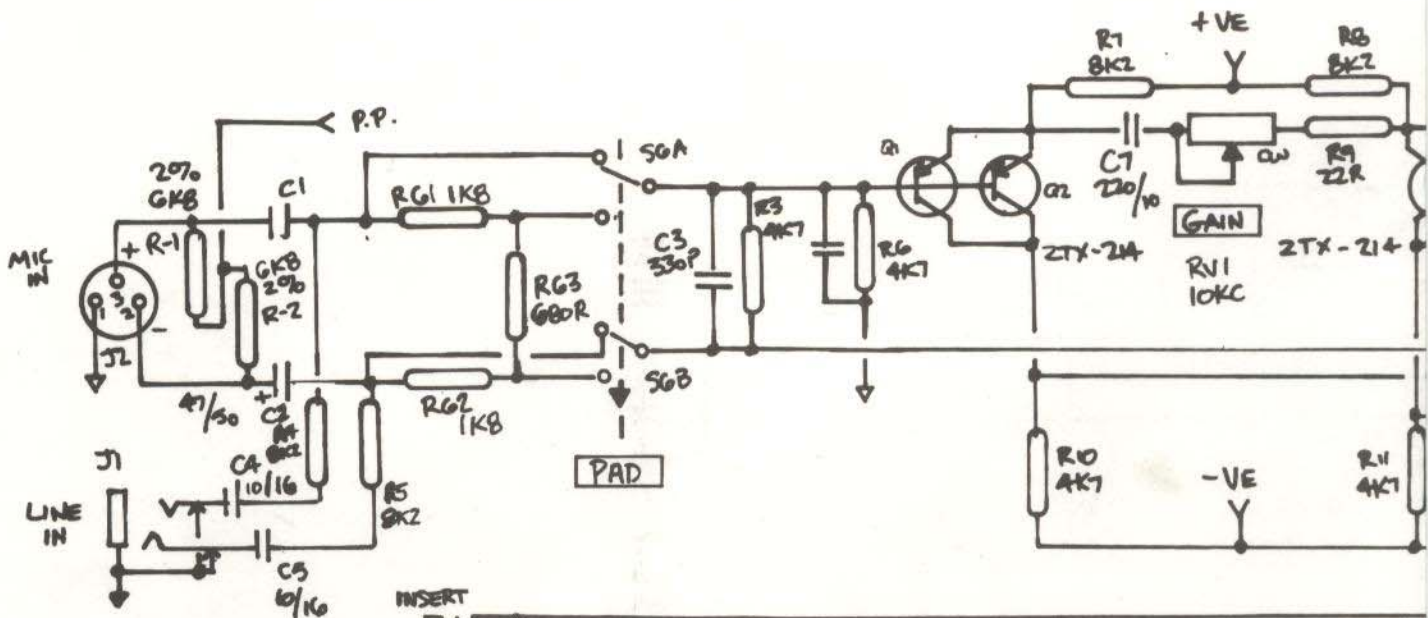
Issue 3 overlay



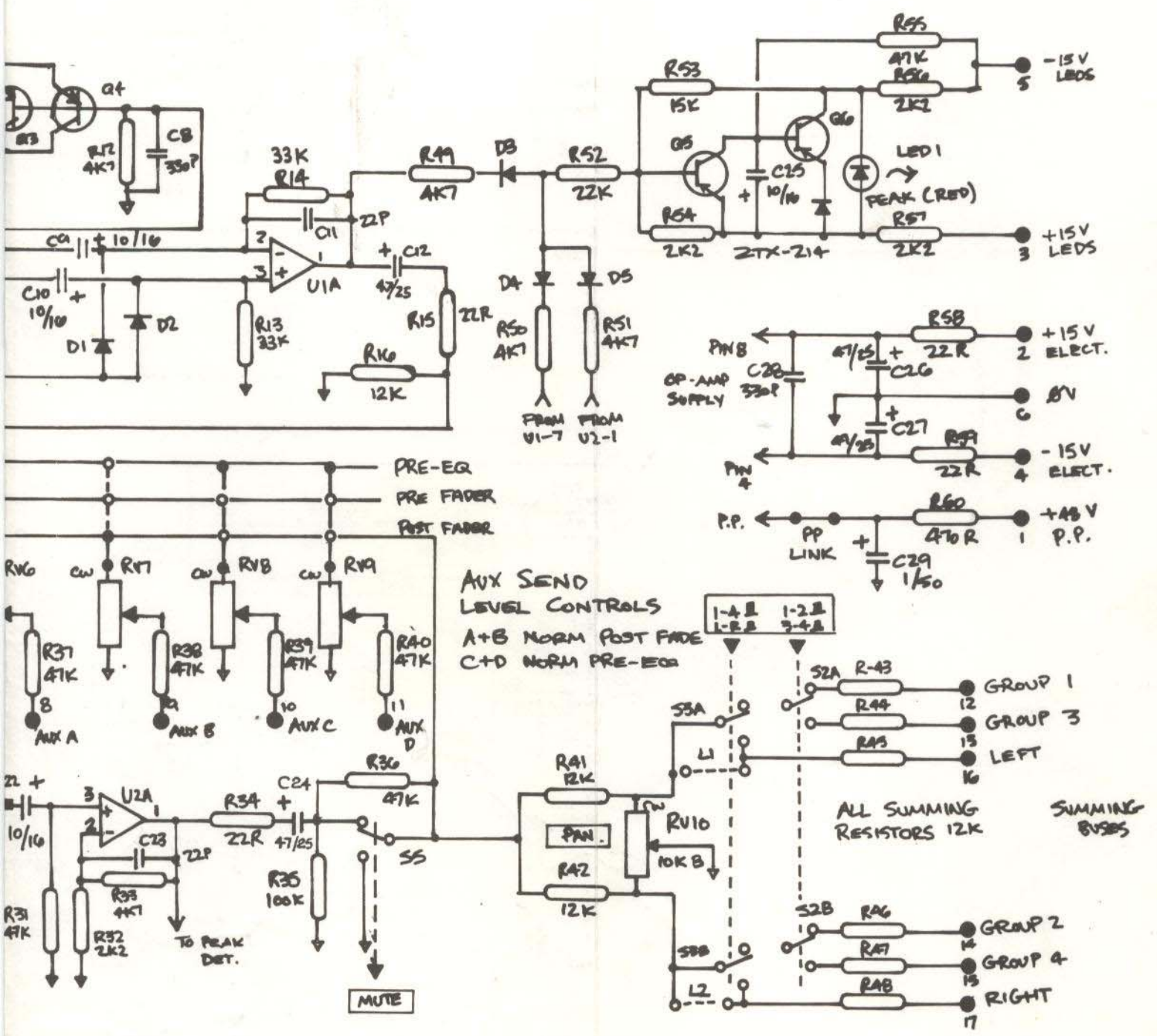
NOTE 3: DIAGRAM IS FOR CHANNEL WITH PAD SWITCH
 FOR CHANNEL WITHOUT PAD SWITCH OMIT R4, R2, R3, S6
 AND INSTALL 2 JUMPER WHERE NOTED.
 REPLACE R4 AND R5 WITH 22K RESISTORS.

AHB SR INPUT AG0110 PARTS PLACEMENT 2:1 ISSUE 3

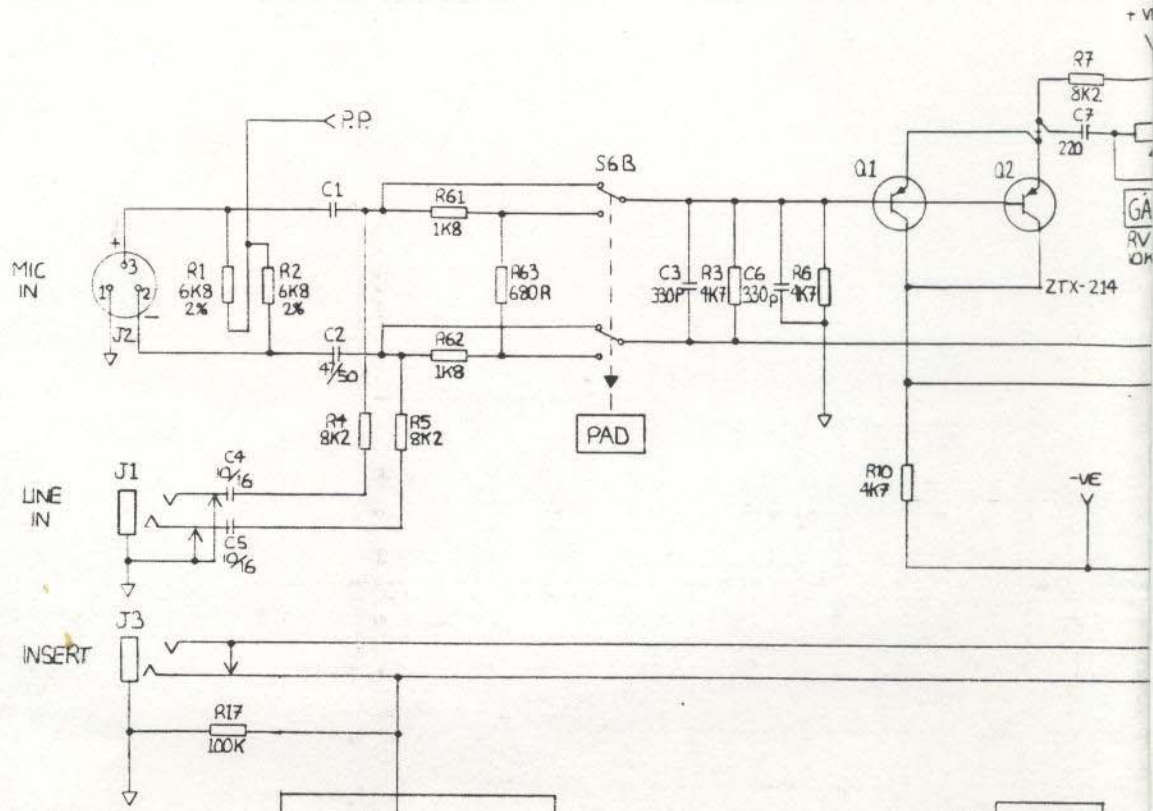
JAP 4/87



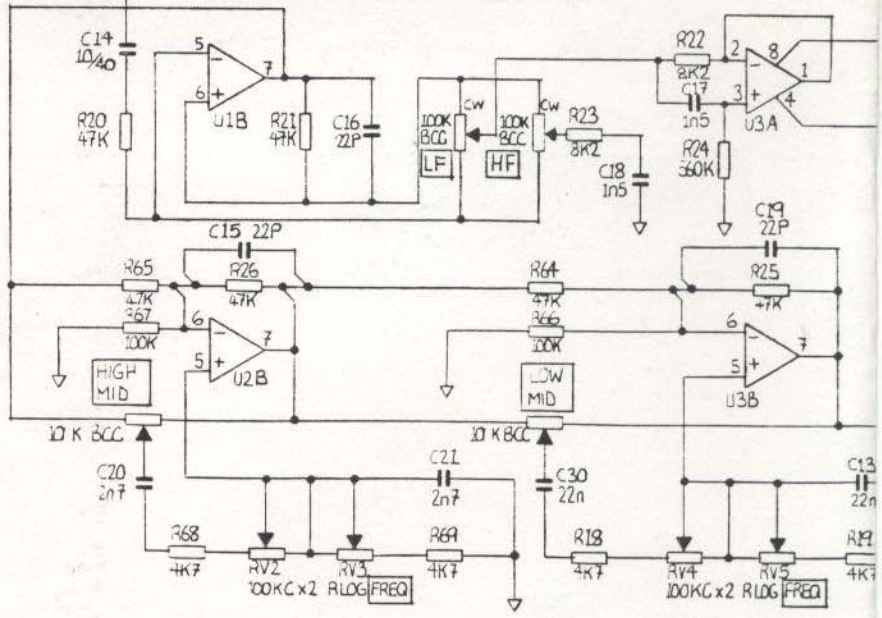
● IDC PIN	○ SELECTABLE LINK	R-63	D5	AHB SR SERIES
➤ INTERNAL PCB CONN.	ALL DIODES IN4148	C-29	LED1	
■ WIRING PAD	ALL OPAMPS TL0-T2	U3	RV11	
	ALL SWITCHES SHOWN IN "OUT" POS.	CG	SG	SR INPUT PCB MK 2 VERSION



CIRCUIT DETAIL	DRAWN KT/JP	TRACED KT	CHECKED JP	APPROVED	DATE
ISSUE 1	SHOWN FOR 4 BUS VERSION. FOR 2 BUS OMIT R27, R28, R35, R43, R44, R46, R47, S1, S2, S3, S5 REPLACE R36 WITH LINK, INSTALL LINKS L1, L2, L3				

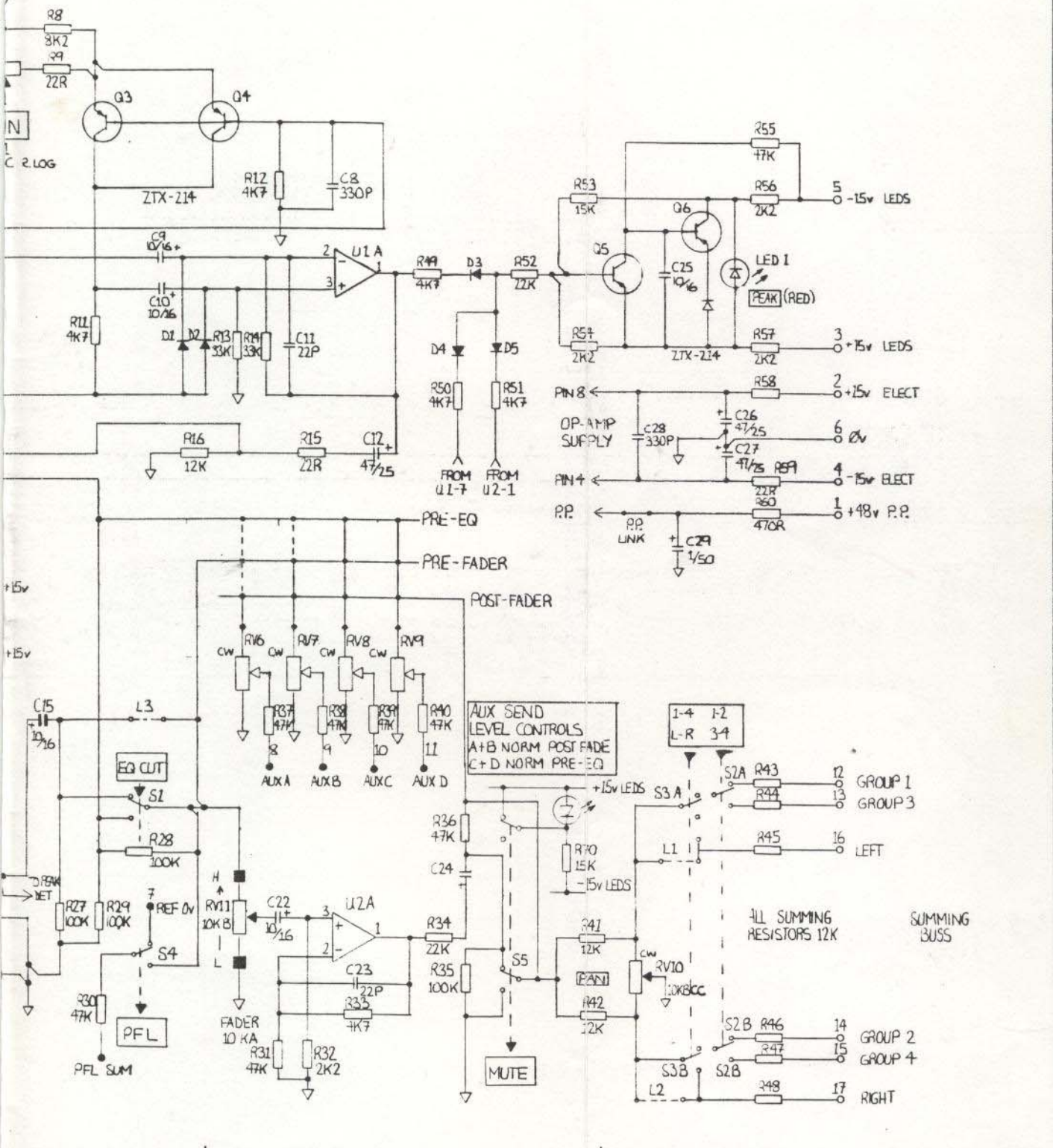


PCB REF No AG0230
 ○ IDC PIN.
 ● SELECTABLE LINK.
 → INTERNAL PCB CONNECTION.
 ■ WIRING PAD
 * ALL DIODES IN4148
 ALL OPAMPS TLO-72
 ALL SWITCHES SHOWN IN "OUT" POSITION.
 LAST C = 30
 LAST R = 70



SRC INPUT C.C.T. WITH SWEEP EQ.

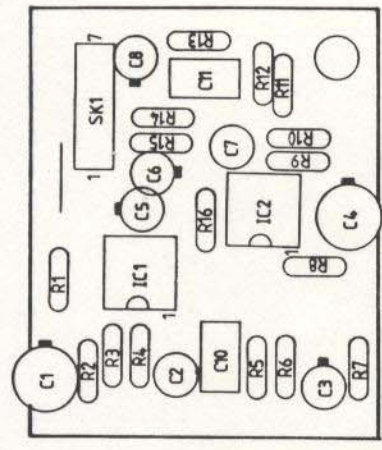
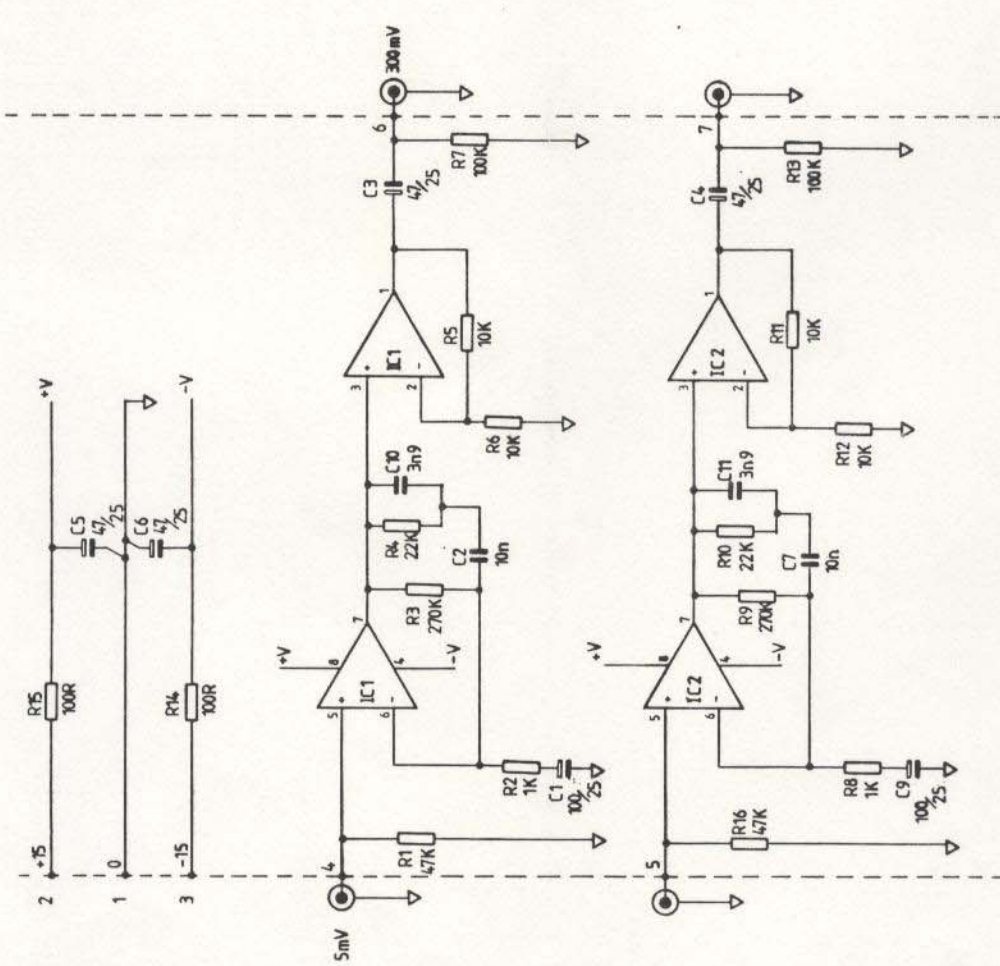
STANDARD NOTES			MATERIAL	TOLERANCES	FINISH
ALL DIMENSIONS IN mm DO NOT SCALE DRAWING THIRD ANGLE PROJECTION REMOVE ALL BURRS & SHARP EDGES					
SCALE				UNLESS STATED OTHERWISE	
KRP	ORIGIN	25-7-88			
DRAWN	REVISION	DATE	CHECKED		



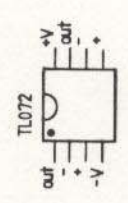
NOTES

UNIT TITLE
 SRC SERIES
 DRAWING TITLE
 C.C.I. DIAGRAM FOR INPUT + SWEEP EQ

AHB ALLEN & HEATH BRENNELL LTD.
 PROFESSIONAL AUDIO EQUIPMENT MANUFACTURERS
 DESIGN DEPT. 69, SHIP STREET, BRIGHTON BN1 1AE TEL 0273 24928
 FACTORY KERNICK INDUSTRIAL EST., PENRYN, CORNWALL, TR9 0JZ TEL 0326 72070
 DRAWING No. 940 18/01/81 1



RIAA COMPONENT OVERLAY



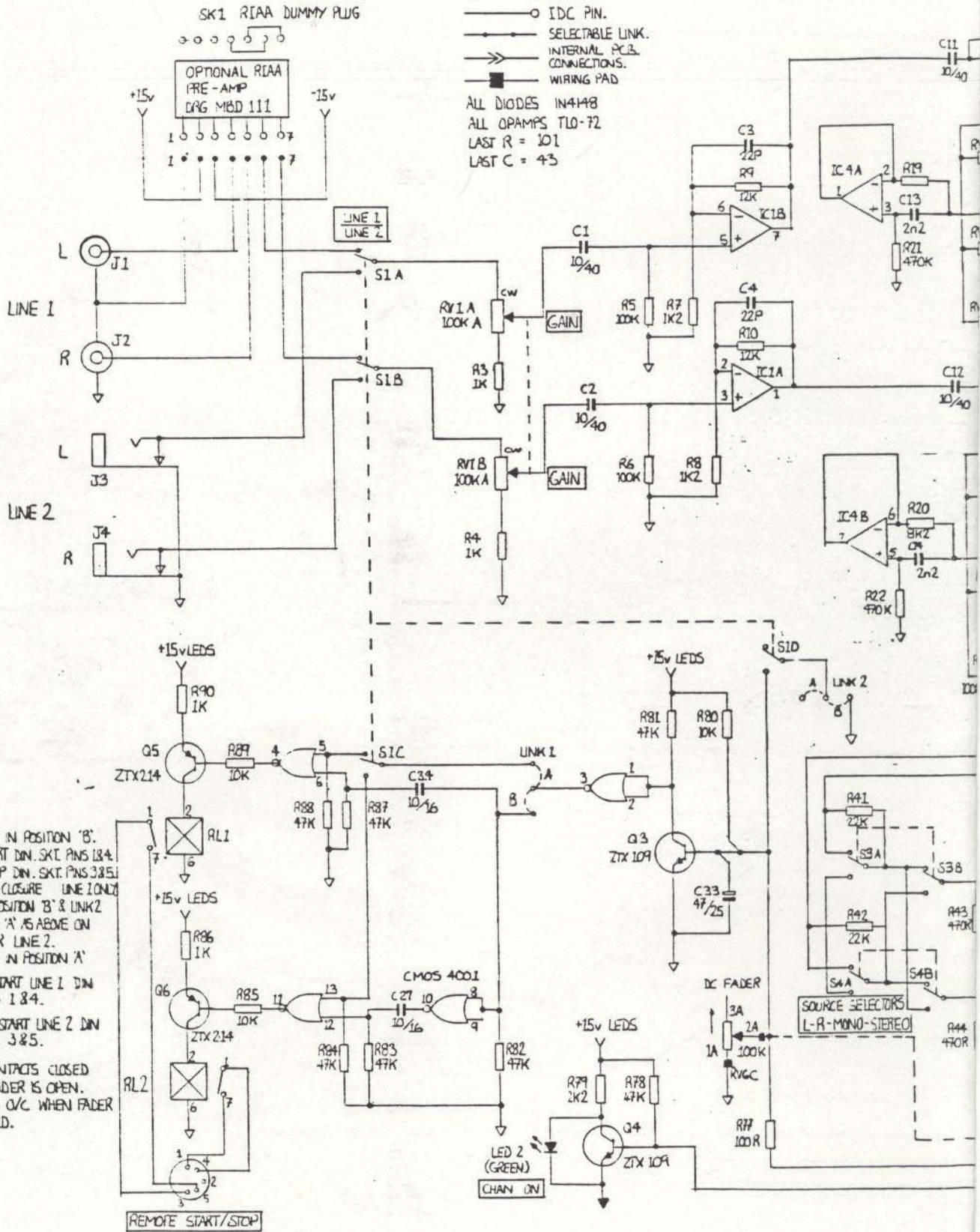
CAPACITORS SHOWN VALUE/VOLTAGE

ALTERATIONS		CHECKED APPROVED		DATE	SCALE
GMR	ORIGIN			26.2.85	
No.	DESCRIPTION				
ALTERNATIONS					
CMC SERIES RIAA EQUALISED PRE-AMP RIAA PCB AG0702 Iss 1					
AHB 69 SHIP STREET, BRIGHTON BN1 1AE Tel. 0273 26928					
DRAWING No. MBD111 iss 1					

PCB REF No AG0227

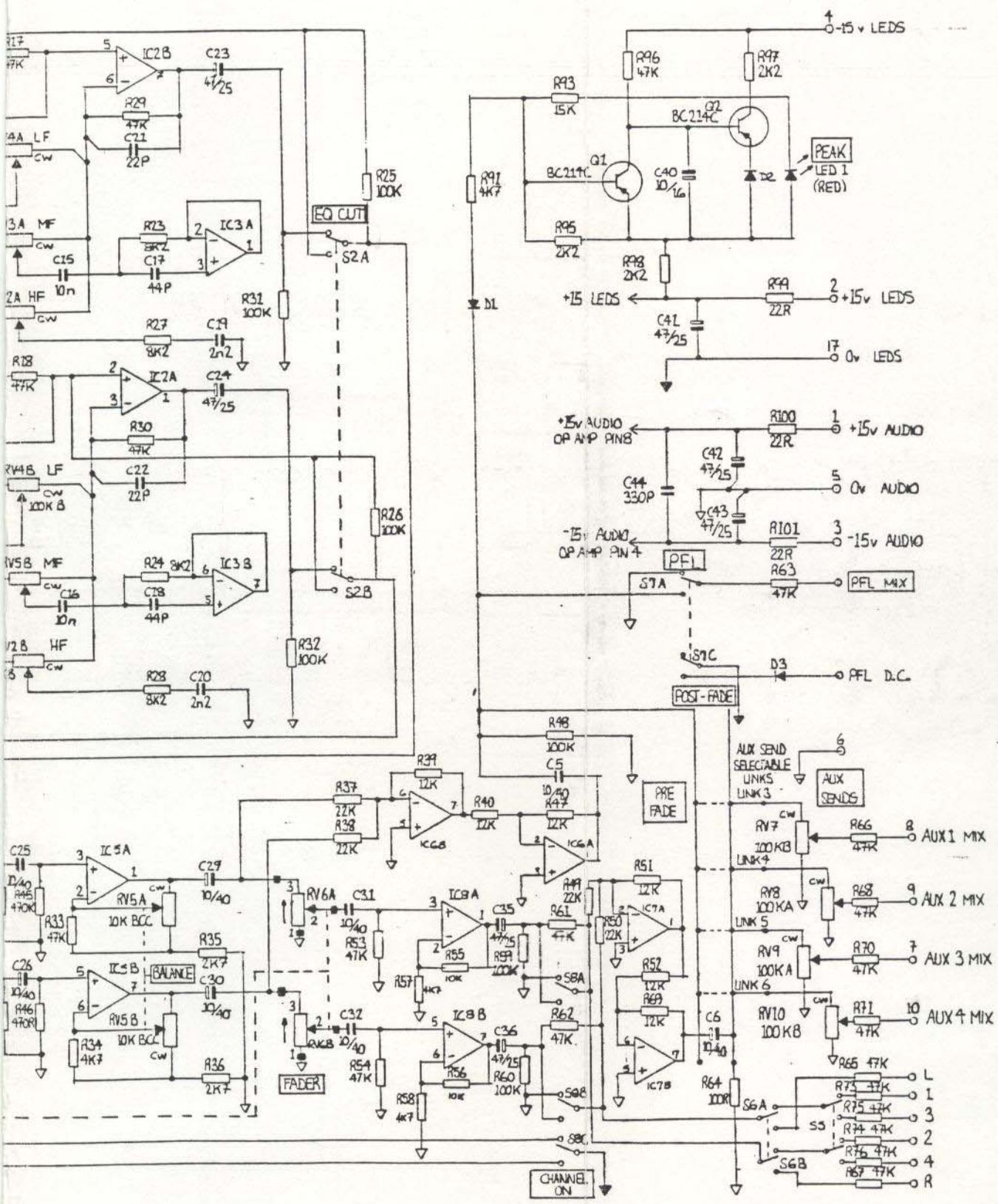
○ IDC PIN.
 — SELECTABLE LINK.
 — INTERNAL PCB CONNECTIONS.
 ■ WIRING PAD.


ALL DIODES IN4148
 ALL OPAMPS TL0-72
 LAST R = 101
 LAST C = 43



- 1) LINKS 1 & 2 IN POSITION 'B'.
 REMOTE START DIN. SKT. PINS 1 & 4.
 REMOTE STOP DIN. SKT. PINS 3 & 5.
 MOMENTARY CLOSURE LINE 1 OR LINE 2.
 - 2) LINK 1 IN POSITION 'B' & LINK 2
 IN POSITION 'A' AS ABOVE ON
 LINE 1 OR LINE 2.
 - 3) LINK 1 & 2 IN POSITION 'A'.
 REMOTE START LINE 1 DIN
 SKT. PINS 1 & 4.
 REMOTE START LINE 2 DIN
 SKT. PINS 3 & 5.
- RELAY CONTACTS CLOSED
 WHEN FADER IS OPEN.
 CONTACTS O/C WHEN FADER
 IS CLOSED.

STANDARD NOTES				MATERIAL		TOLERANCES		FINI
ALL DIMENSIONS IN mm						GENERAL		±0.25 mm
DO NOT SCALE DRAWING						HOLE CENTRES		±0.15 mm
THIRD ANGLE PROJECTION						HOLE SIZES		±0.10 mm
REMOVE ALL BURRS & SHARP EDGES								
SCALE								
KRP	DRGN	25-7-88	GME			UNLESS STATED OTHERWISE		
DRWN	REVISION	DATE	CHECKED					



NOTES	UNIT TITLE SRC SERIES DRAWING TITLE STEREO INPUT	 ALLEN & HEATH BRENNELL LTD. PROFESSIONAL AUDIO EQUIPMENT MANUFACTURERS 231-5, LIVERPOOL ROAD, LONDON, W11 1LJ. TEL. No. 01-497-8271	DRAWING No. 939 issue 1
-------	---	---	---------------------------------------