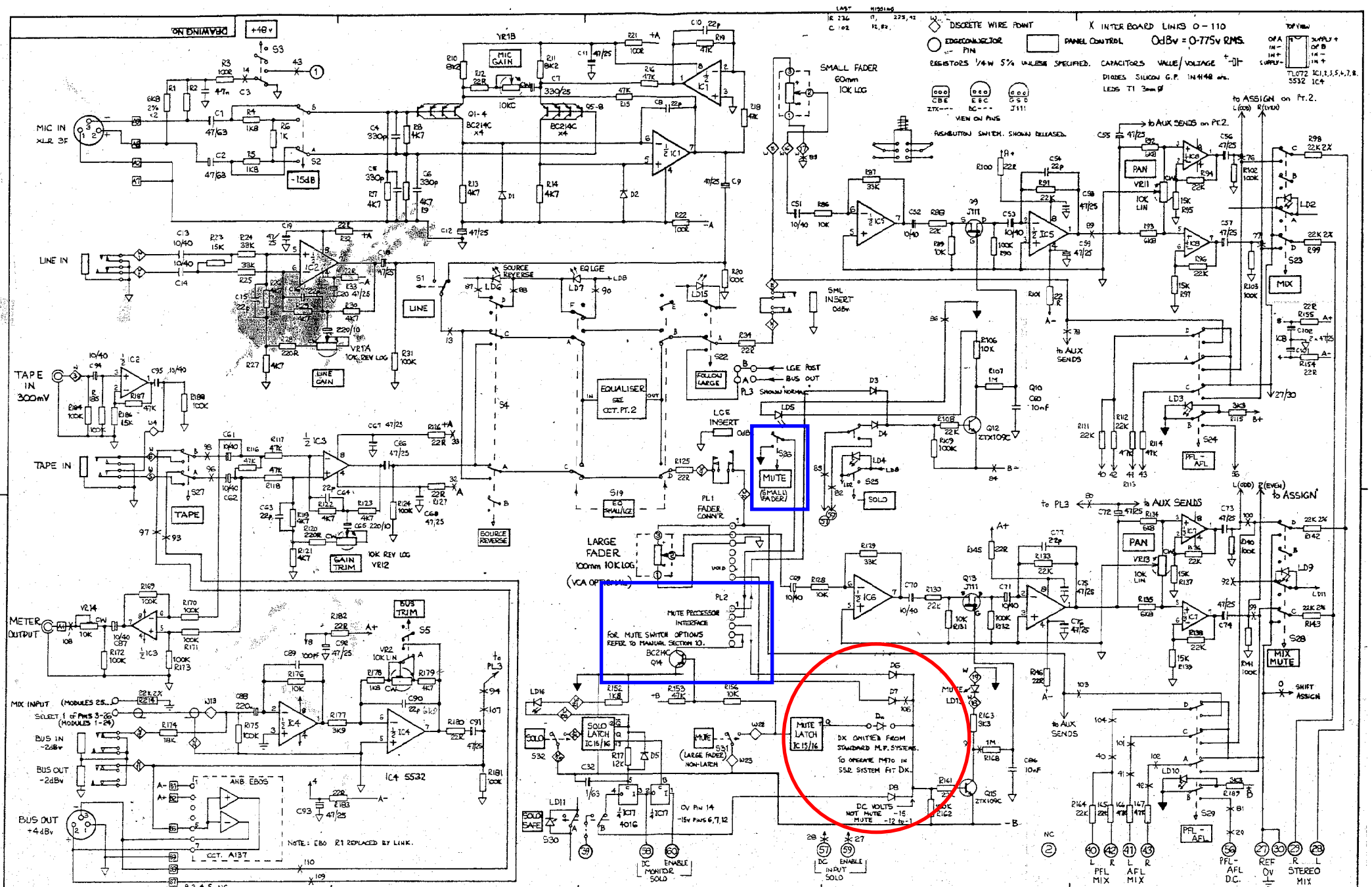


Sigma mute mod

For the large fader, fit an n4148 diode at DX (marked with a red circle).

For the small fader, fit a latching switch at SW26 (blue rectangle) and link pins 1 & 2 at PL2 (blue rectangle).



DESIGN	REVISION	DATE	BY

STANDARD NOTES
 ALL DIMENSIONS IN mm
 DO NOT SCALE DRAWING
 THIRD ANGLE PROJECTION
 REMOVE ALL BURRS & SHARP EDGES

SCALE

MATERIAL

TOLERANCES
 GENERAL ±0.25 mm
 HOLE CENTRES ±0.15 mm
 HOLE SIZES ±0.10 mm

UNLESS STATED OTHERWISE

FINISH

NOTES
 APPLIES TO PCB TYPES
 AG0184 iss 3
 AG0185 iss 3
 AG0133 iss 2

UNIT TITLE
 AHB SIGMA SERIES

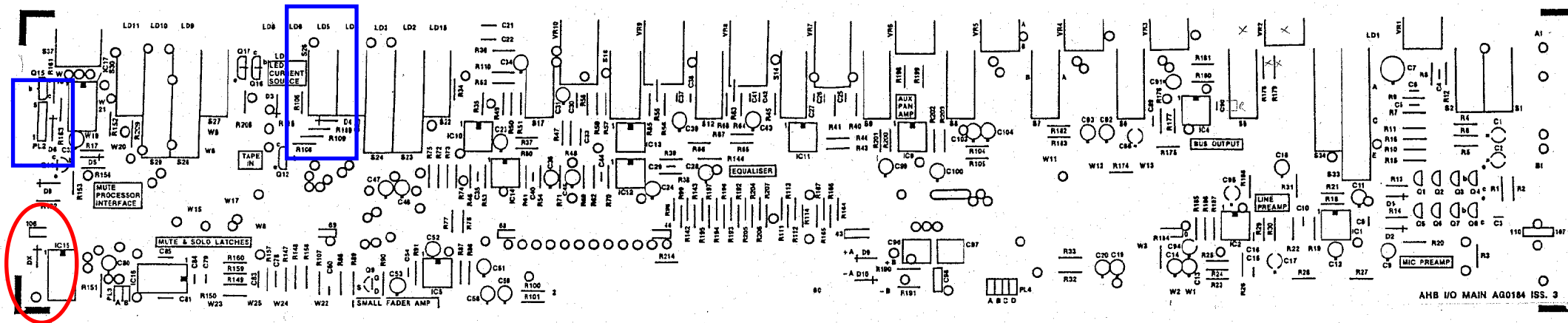
DRAWING TITLE
 M470 CCT. PART 1 of 3

AHB ALLEN BHEATH BRENELL LTD.
 PROFESSIONAL AUDIO EQUIPMENT MANUFACTURERS

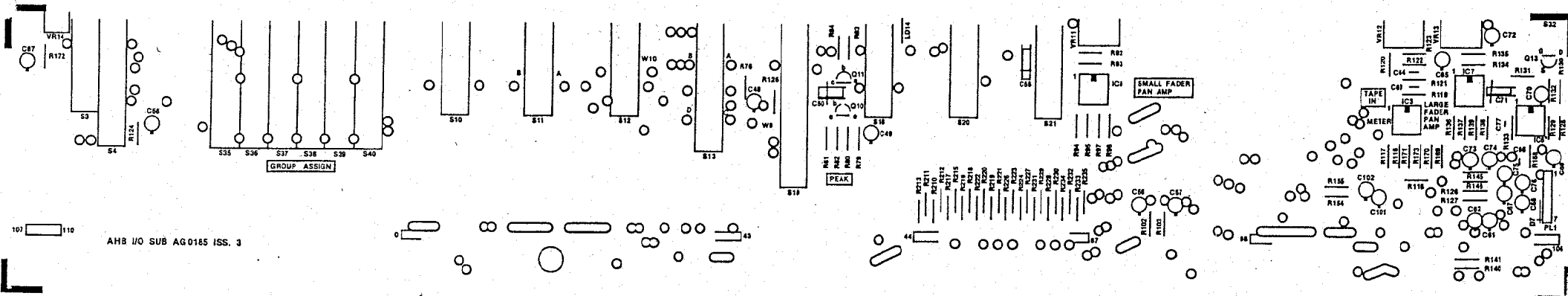
DESIGN DEPT. 45 SHIP STREET, BIRMINGHAM B5 4NF
 FACTORY: KENWOOD INDUSTRIAL EST., NEWBURY, CORNWALL PL33 3JZ

DRAWING NO. MBD187

Issue 4



AHB I/O MAIN AG0184 ISS. 3



AHB I/O SUB AG0185 ISS. 3