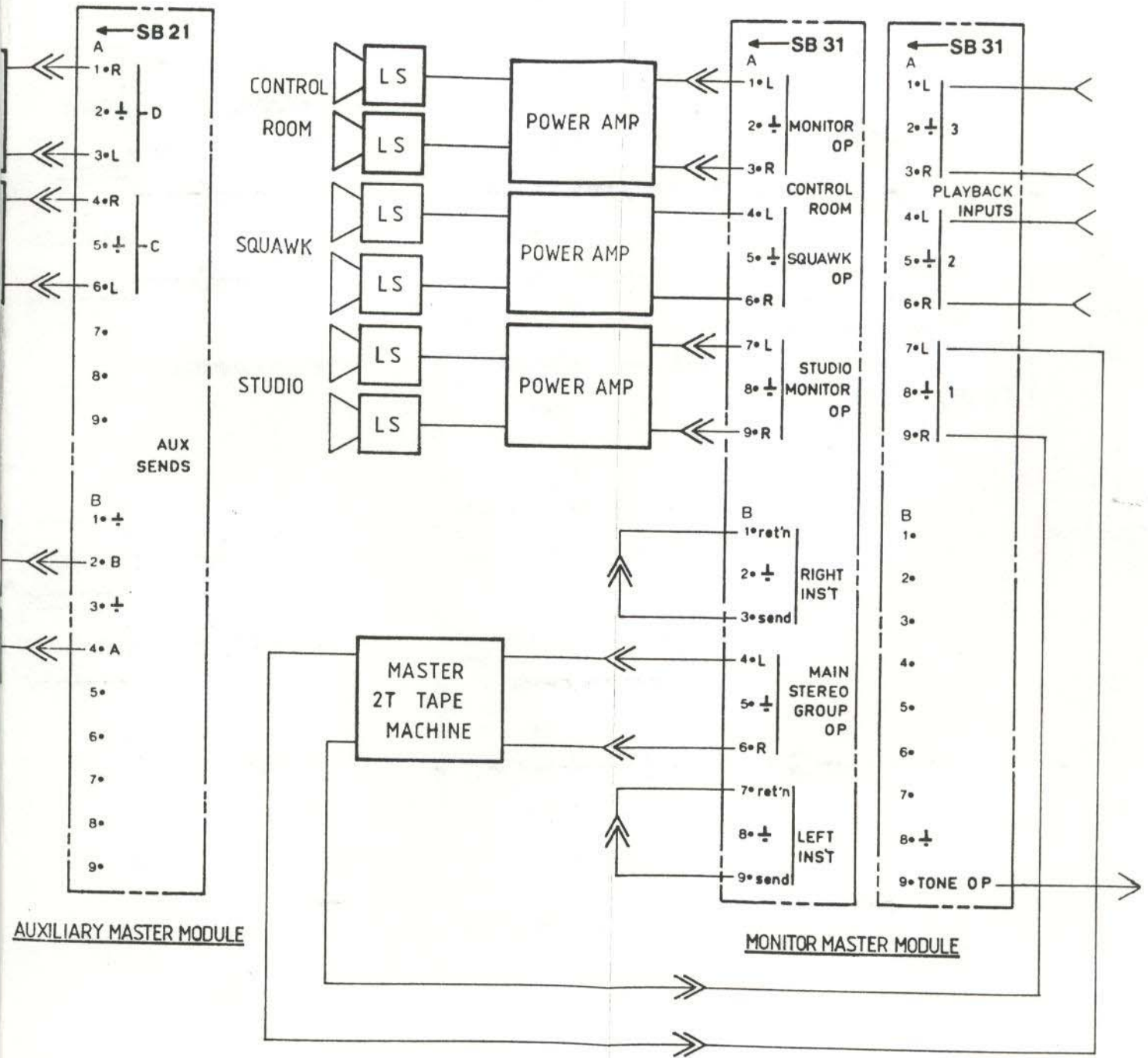


SYNCON 'B' AUDIO WIRING SCHEMATIC

SBC12 14-1-81 Fig. 6

→→ REPS PATCHBAY POINT



AUXILIARY MASTER MODULE

MONITOR MASTER MODULE

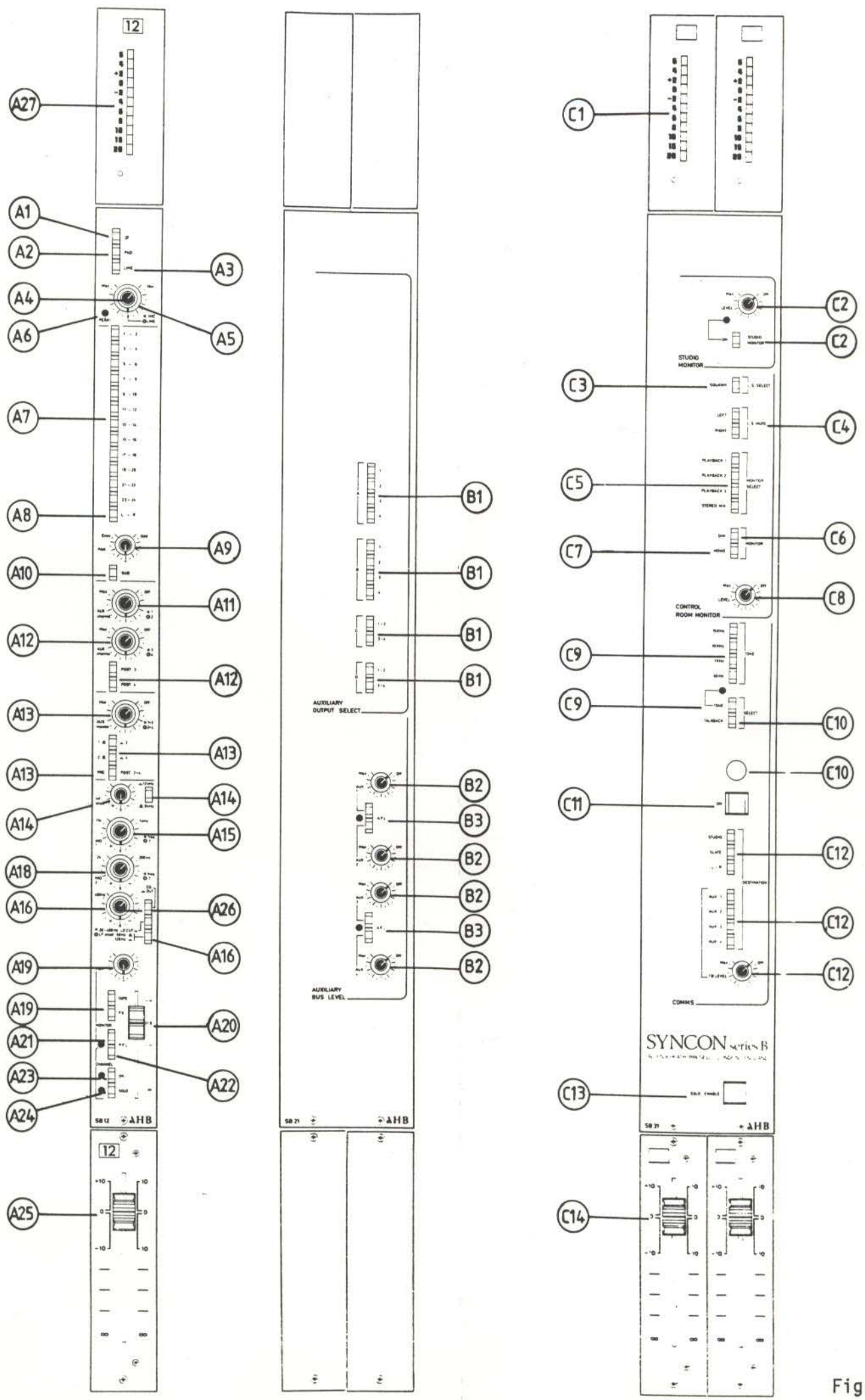
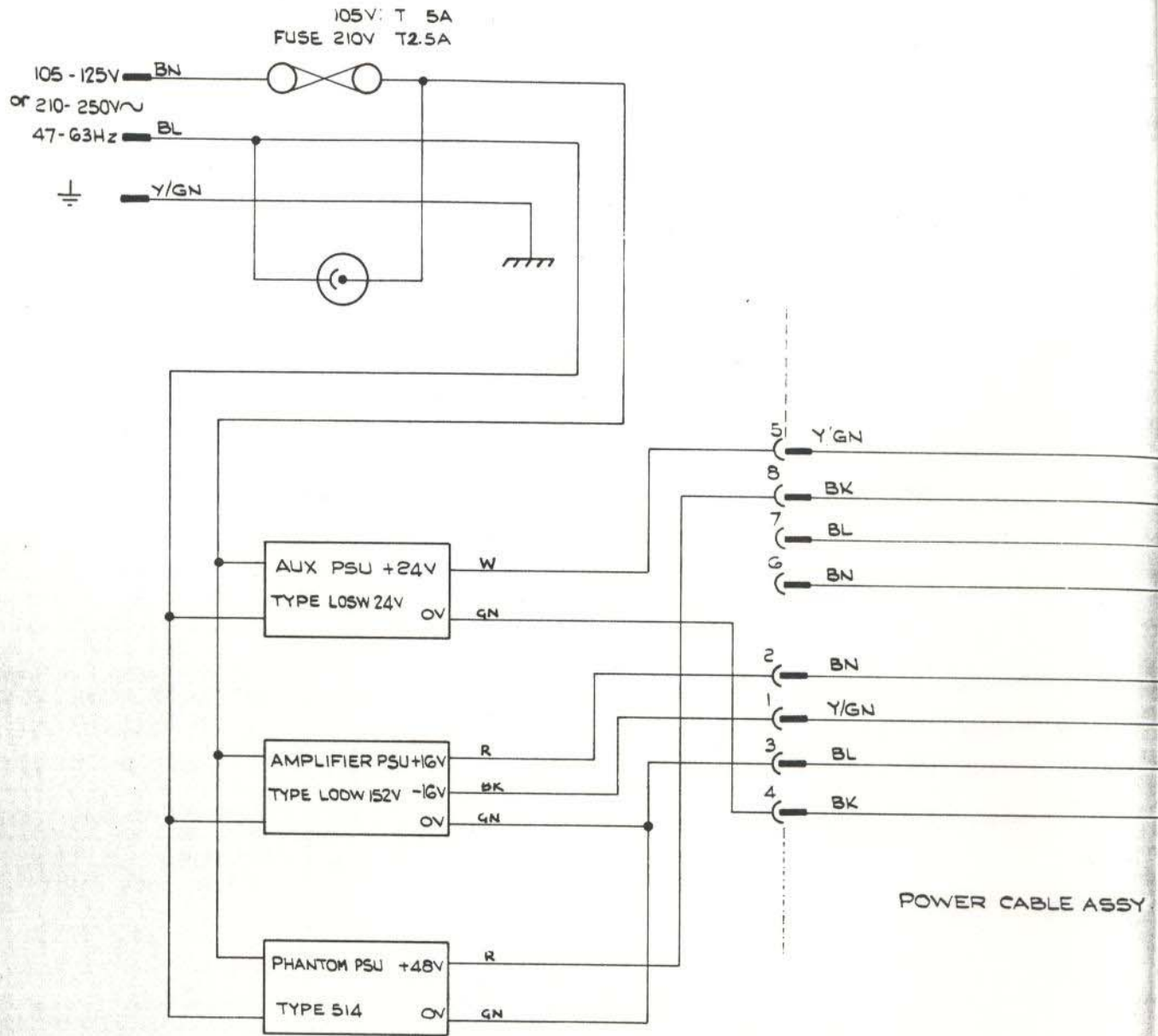


Fig. 7



POWER SUPPLY ASSEMBLY
MPSG.1
ZB 100.121



POWER CONNECTOR
EXT. VIEW

SYNCON B

POWER SUPPLY & FRAME WIRING

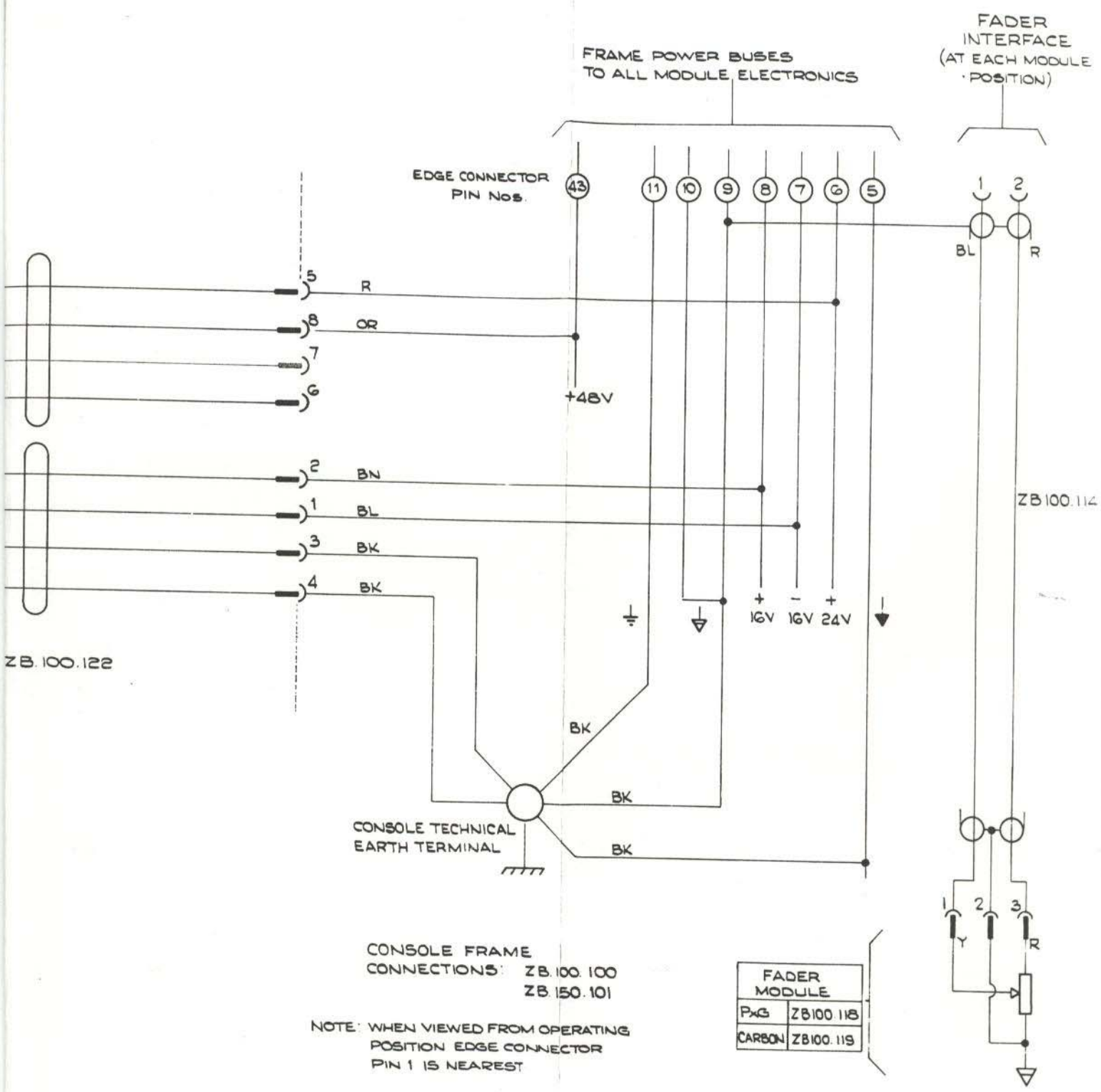
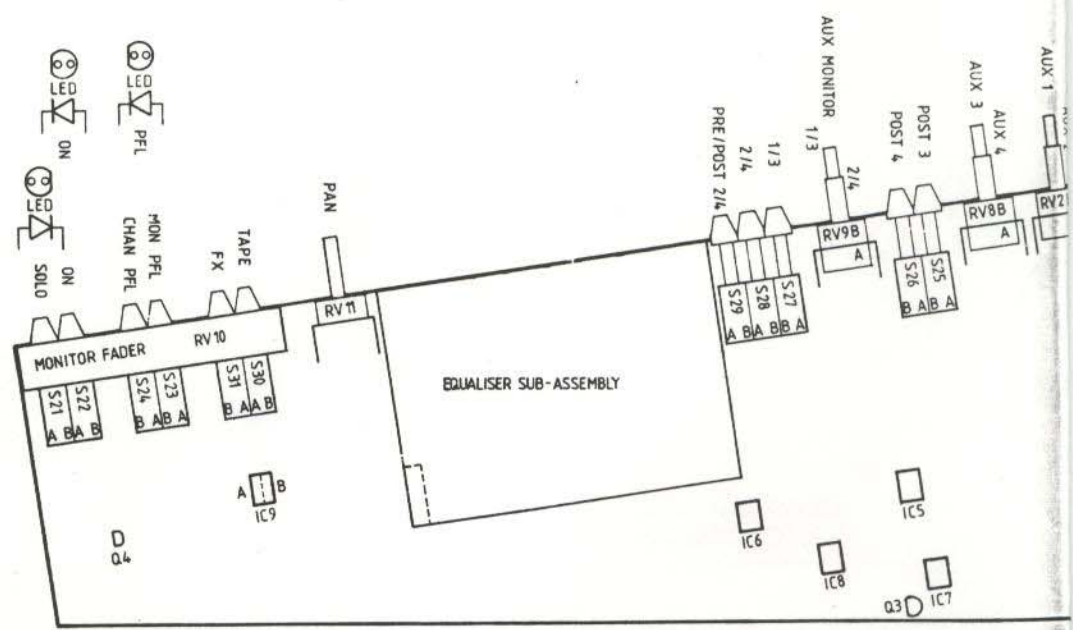
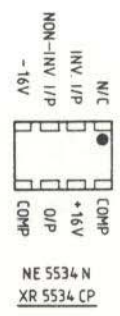
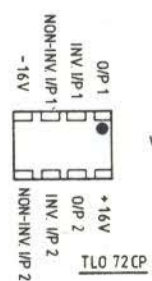
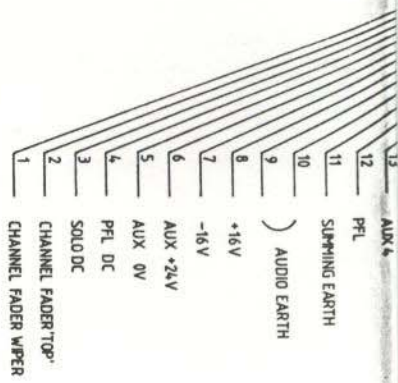


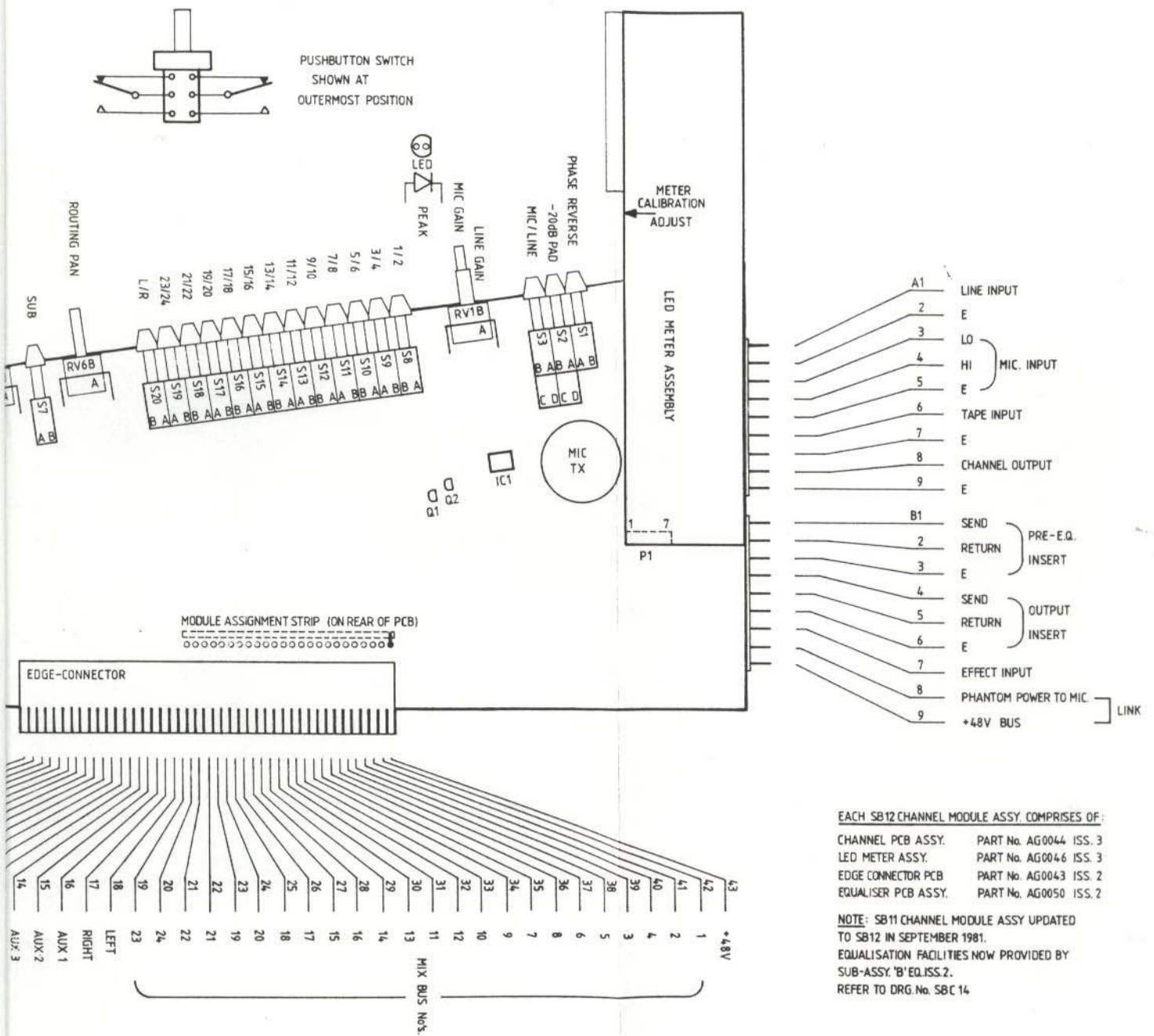
Fig. 9



I.C. & TRANSISTOR FUNCTIONS	
IC1	CHANNEL INPUT PREAMPLIFIER
IC2A	REPLACED BY EQUALISER SUB-ASSY.
IC2B	
IC3A	
IC3B	
IC4A	
IC4B	
IC5	MIX AMPLIFIER
IC6	MIX AMP. INVERTER
IC7	POST FADER BUFFER & INVERTER
IC8	POST FADER INVERTER & OUTPUT AMPLIFIER
IC9A	MONITOR INPUT BUFFER
IC9B	MONITOR POST FADER BUFFER
Q1+Q2	PEAK DETECTOR
Q3	CHANNEL ON / MUTE FET
Q4	SOLO BUS BUFFER



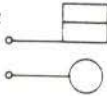
GENERAL ARR



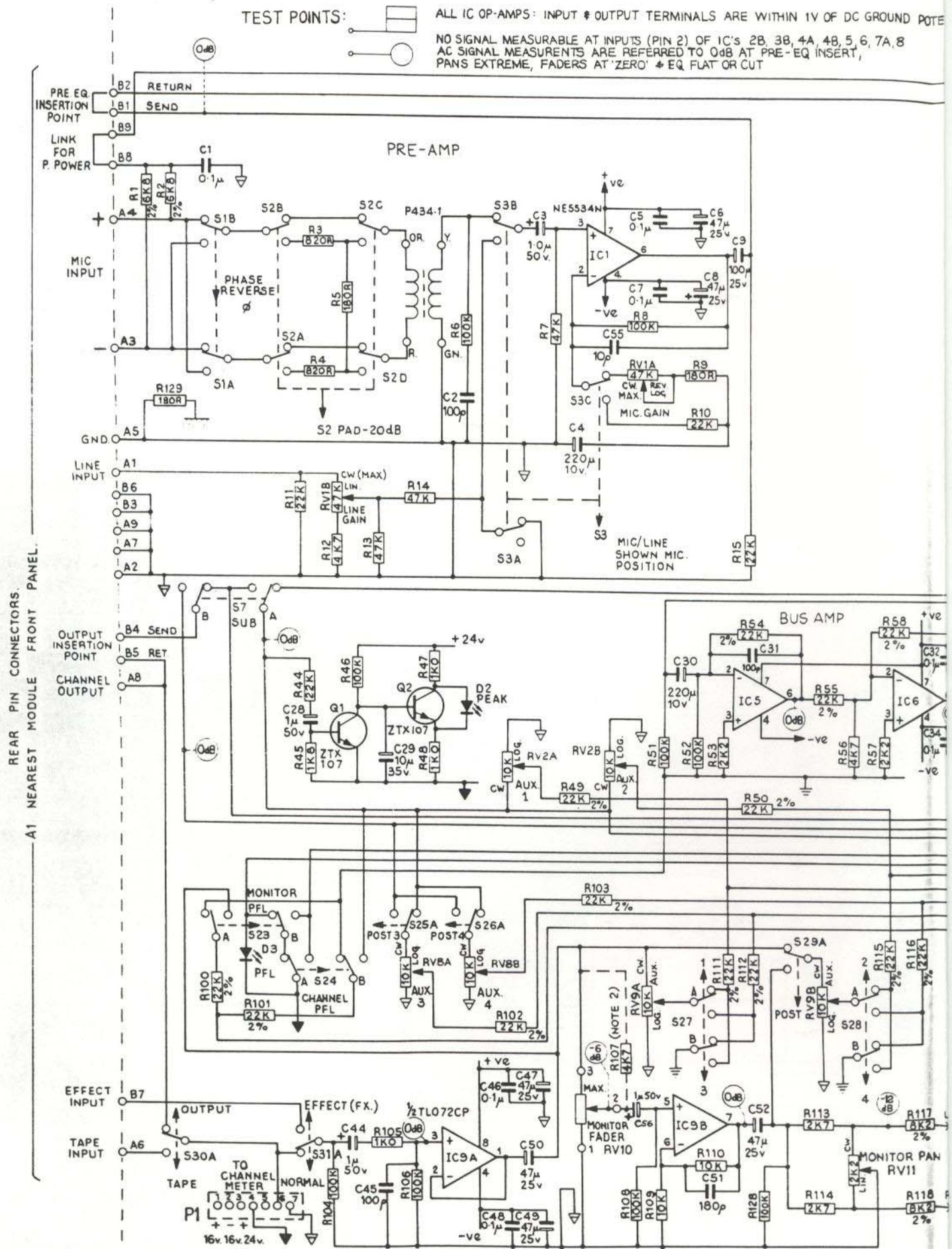
- EACH SB12 CHANNEL MODULE ASSY. COMPRISES OF:
- CHANNEL PCB ASSY. PART No. AG0044 ISS. 3
 - LED METER ASSY. PART No. AG0046 ISS. 3
 - EDGE CONNECTOR PCB PART No. AG0043 ISS. 2
 - EQUALISER PCB ASSY. PART No. AG0050 ISS. 2

NOTE: SB11 CHANNEL MODULE ASSY UPDATED TO SB12 IN SEPTEMBER 1981. EQUALISATION FACILITIES NOW PROVIDED BY SUB-ASSY. 'B' EQ. ISS. 2. REFER TO DRG. No. SBC 14

TEST POINTS:



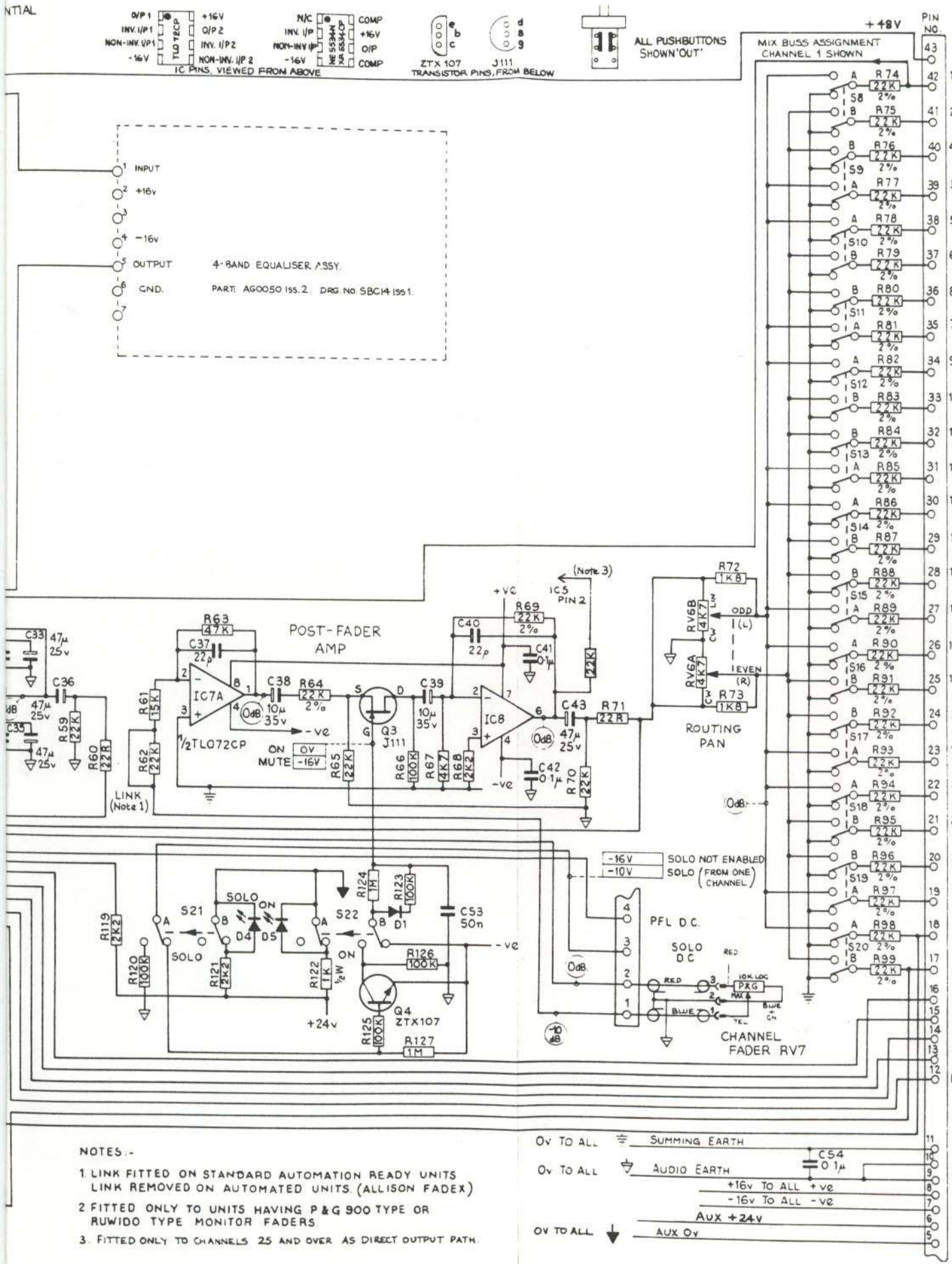
ALL IC OP-AMPS: INPUT & OUTPUT TERMINALS ARE WITHIN 1V OF DC GROUND POTENTIAL
 NO SIGNAL MEASURABLE AT INPUTS (PIN 2) OF IC's 2B, 3B, 4A, 4B, 5, 6, 7A, 8
 AC SIGNAL MEASUREMENTS ARE REFERRED TO 0dB AT PRE-EQ INSERT, PANS EXTREME, FADERS AT 'ZERO' & EQ FLAT OR CUT



REAR PIN CONNECTORS. A1 NEAREST MODULE FRONT PANEL.

No.	DESCRIPTION	CHK DATE
1	REVISED FOR 4-BAND EQUALIZER	
ALTERATIONS		

SYNCON B INPUT/OUTPUT



OUTPUT CHANNEL CIRCUITS.
 CHANNEL PCB ASSY AG0045 Iss 3 PART OF SB12 MODULE ASSY.

NOTES:-

1. LINK FITTED ON STANDARD AUTOMATION READY UNITS
 LINK REMOVED ON AUTOMATED UNITS. (ALLISON FADEX)
2. FITTED ONLY TO UNITS HAVING P&G 900 TYPE OR
 RUWIDO TYPE MONITOR FADERS.
3. FITTED ONLY TO CHANNELS 25 AND OVER AS DIRECT OUTPUT PATH.

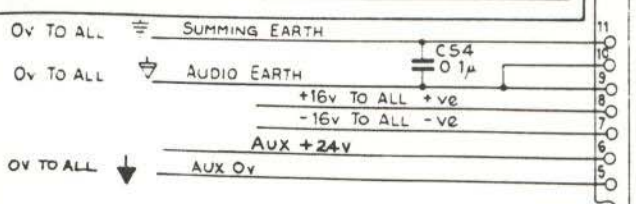
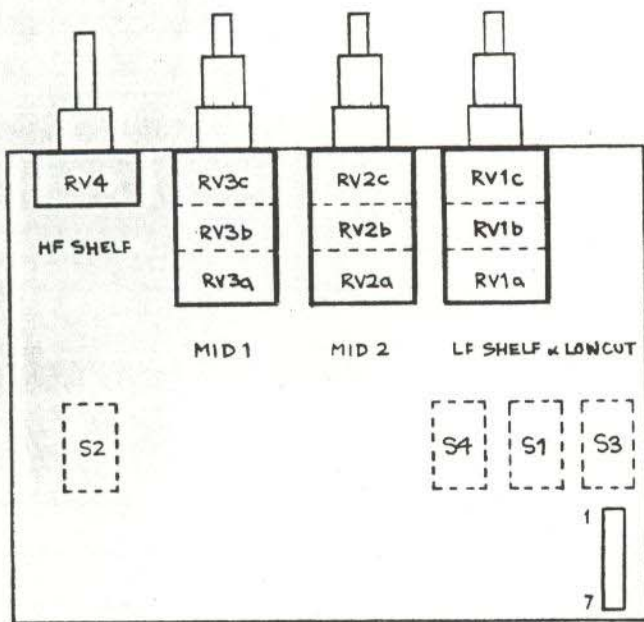
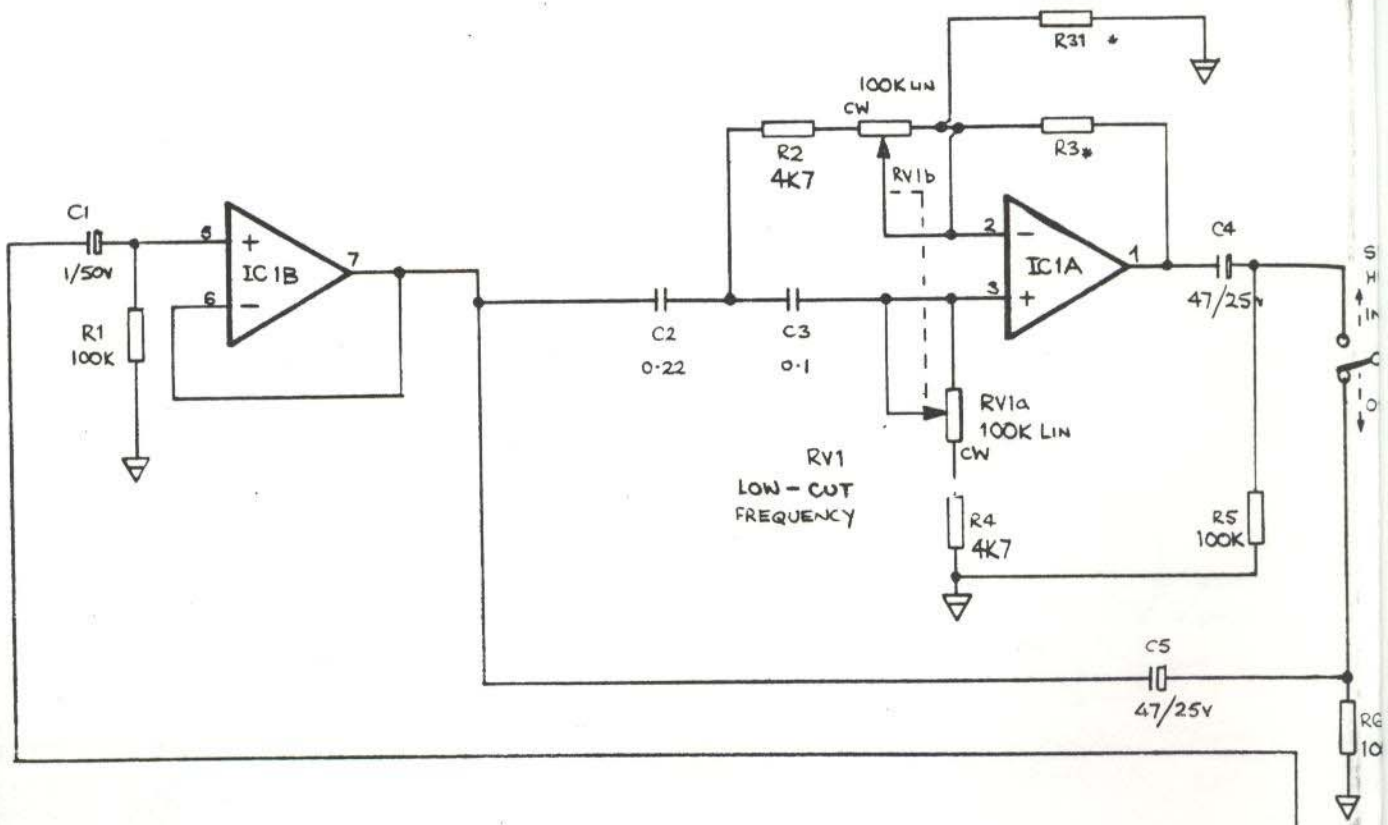
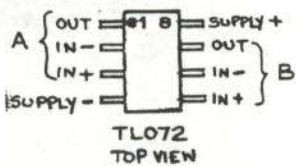
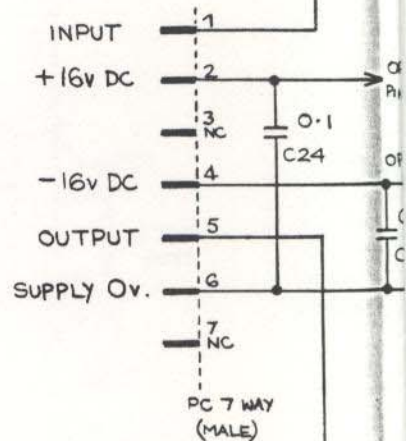


Fig. 11

DRAWING No. 5BC01



COMPONENT-SIDE VIEW.



ALL OP AMPS TYPE TLO72CP

ALL RESISTORS 1/4W 5% TOLERANCE

ALL CAPACITORS SHOWN VALUE/VOLTAGE

SWITCHES SHOWN RELEASED.

* NOT FITTED TO PCB A90050 ISS 2. R3 LINKED

AHB SYNCON SERIES B:
CHANNEL EQUALISER CCT. DETAIL.

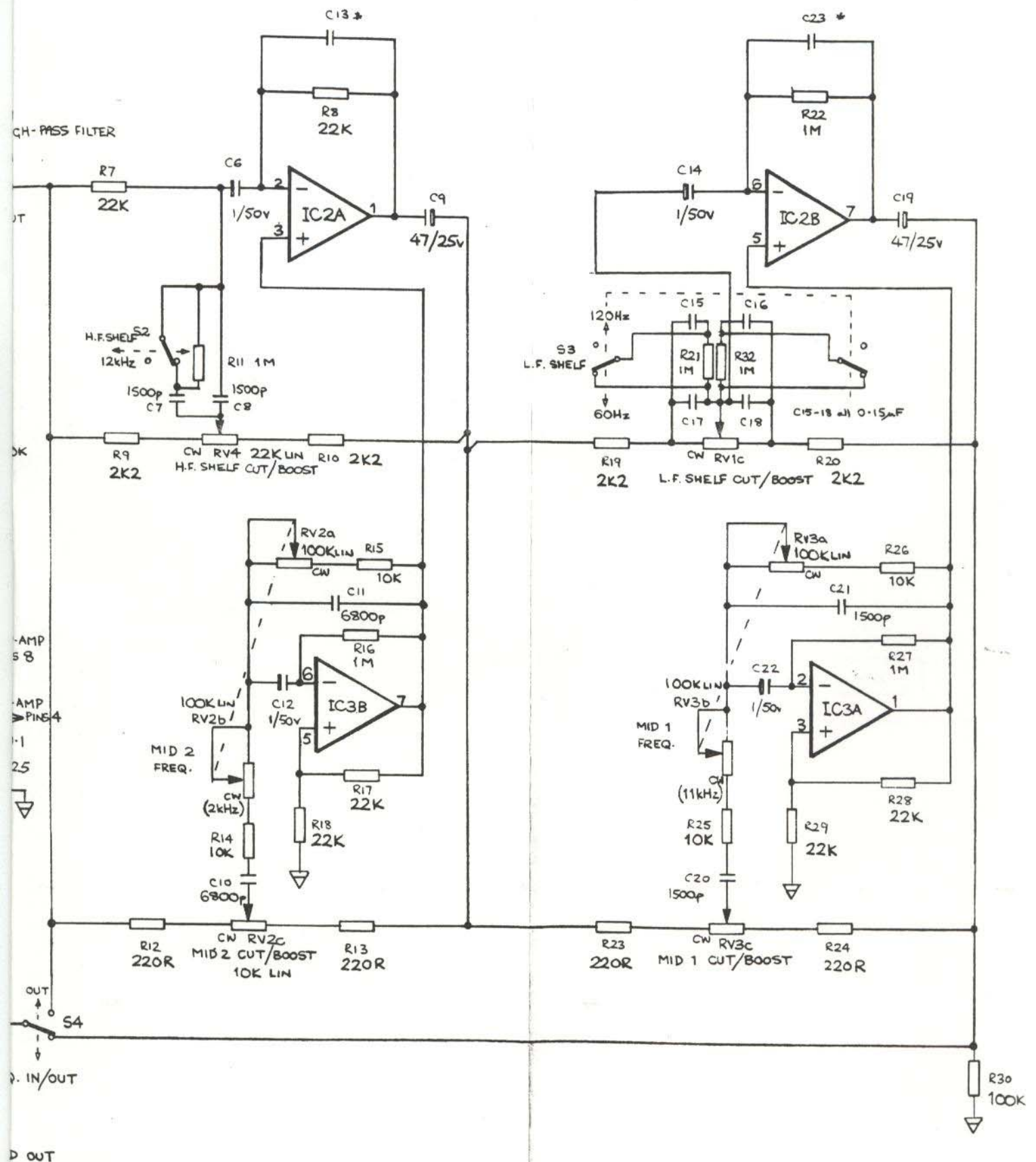
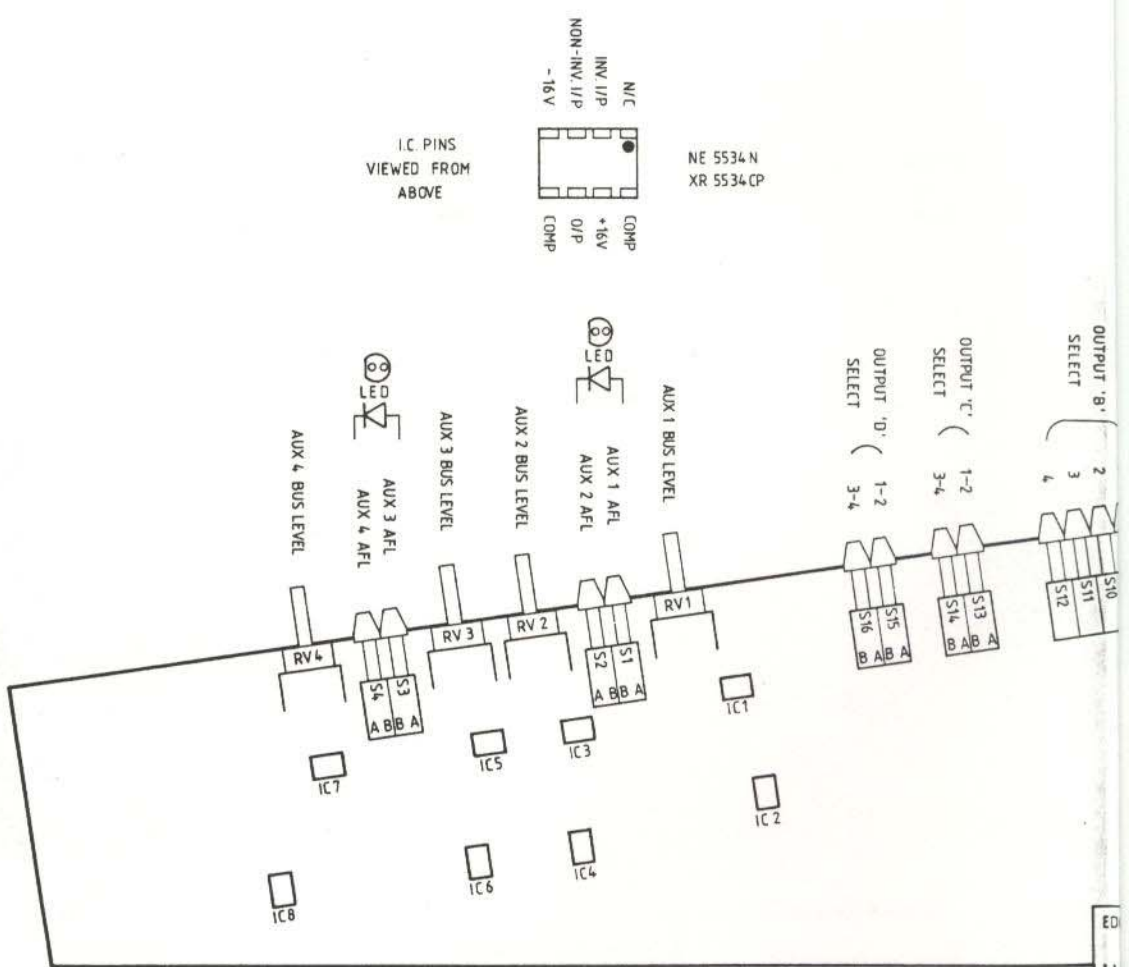


Fig. 12

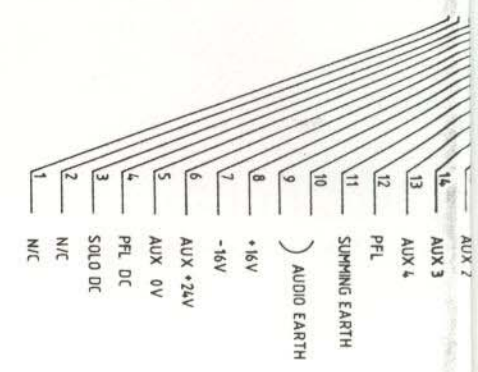
PCB TYPE : AG0050 Iss. 2

PART OF MODULE TYPE SB12.

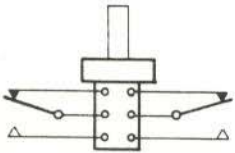
DRAWING No. SBC14 Iss 1



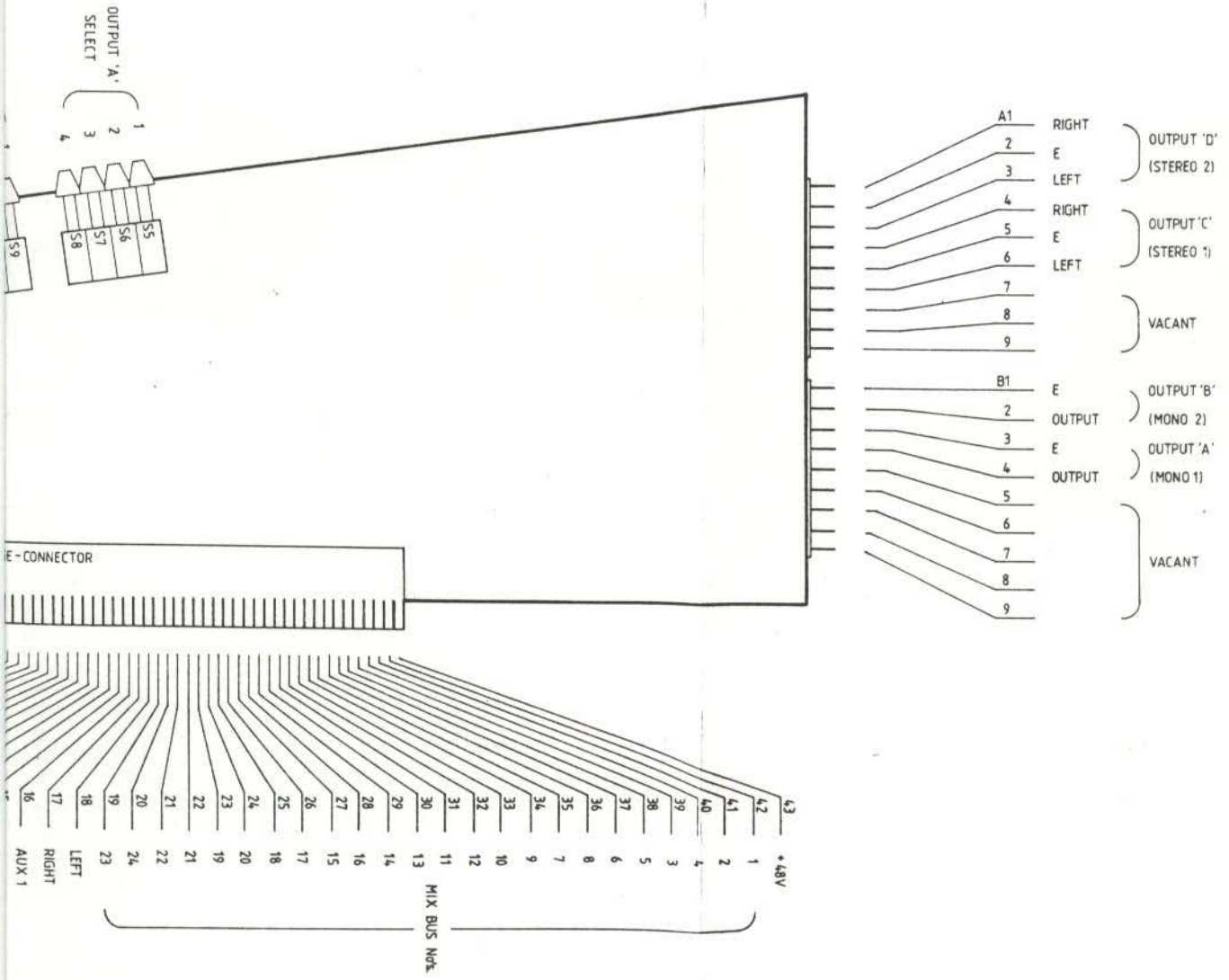
I.C. FUNCTIONS	
IC1	AUX 1 MIX AMP
IC2	AUX 1 OUTPUT AMP
IC3	AUX 2 MIX AMP
IC4	AUX 2 OUTPUT AMP
IC5	AUX 3 MIX AMP
IC6	AUX 3 OUTPUT AMP
IC7	AUX 4 MIX AMP
IC8	AUX 4 OUTPUT AMP

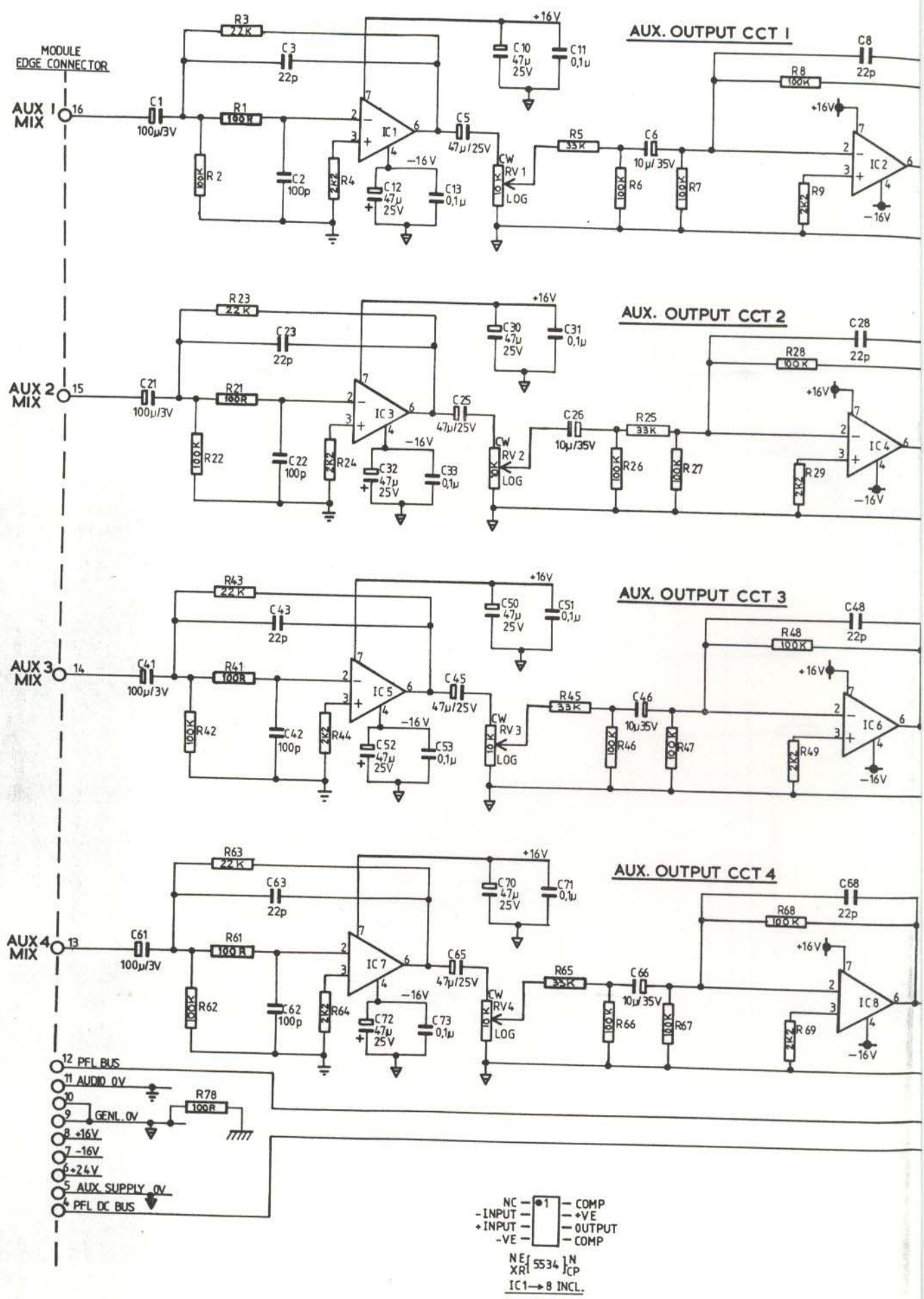


GENERAL ARRANGE



PUSHBUTTON SWITCH
SHOWN AT
OUTERMOST POSITION





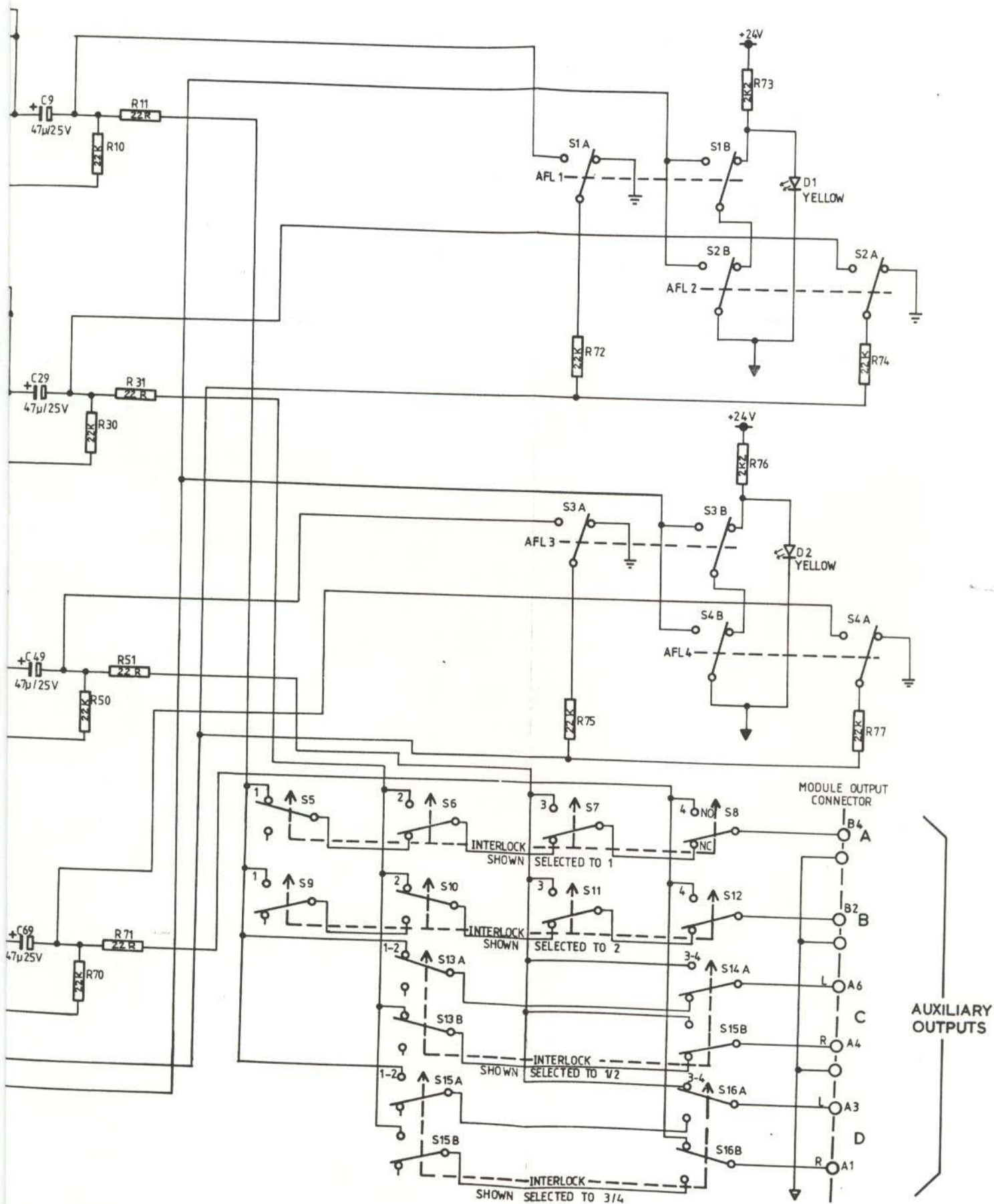
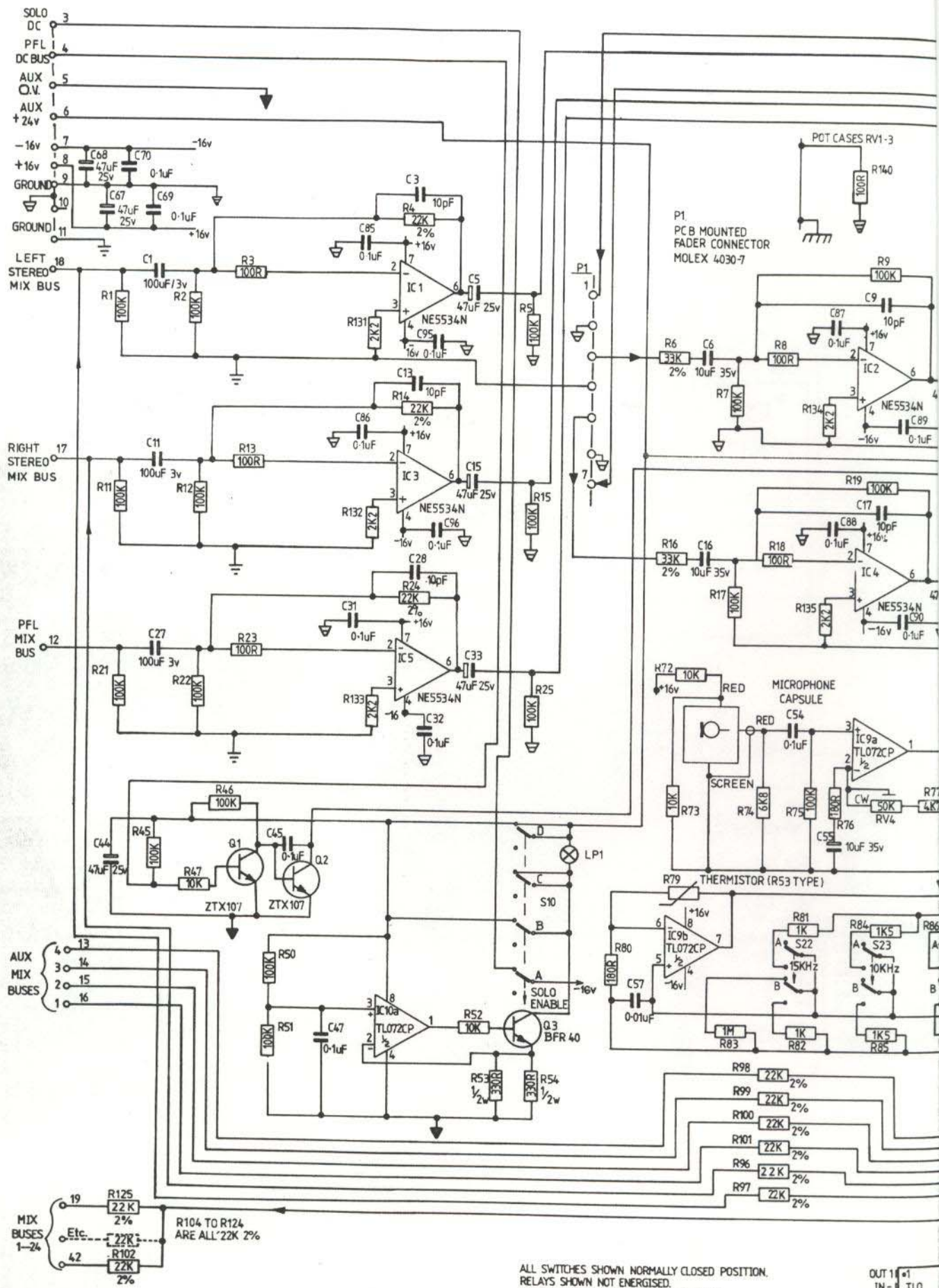


Fig. 14

SYNCON B; SB21 AUX. MASTER MODULE CCTS.

DRG No. SBC03



ALL SWITCHES SHOWN NORMALLY CLOSED POSITION.
 RELAYS SHOWN NOT ENERGISED.
 RESISTORS $\frac{1}{2}$ W UNLESS OTHERWISE STATED.
 DIODES IN4148 or equiv.
 ALL LAMPS \otimes 12v 1w.
 RL1 NATIONAL NF2 24v.

OUT 1 #1
 IN - TL0
 IN+ 72CP
 -ve
 IC9,910

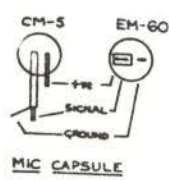
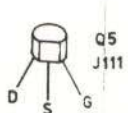
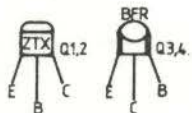
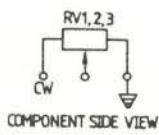
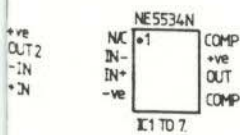
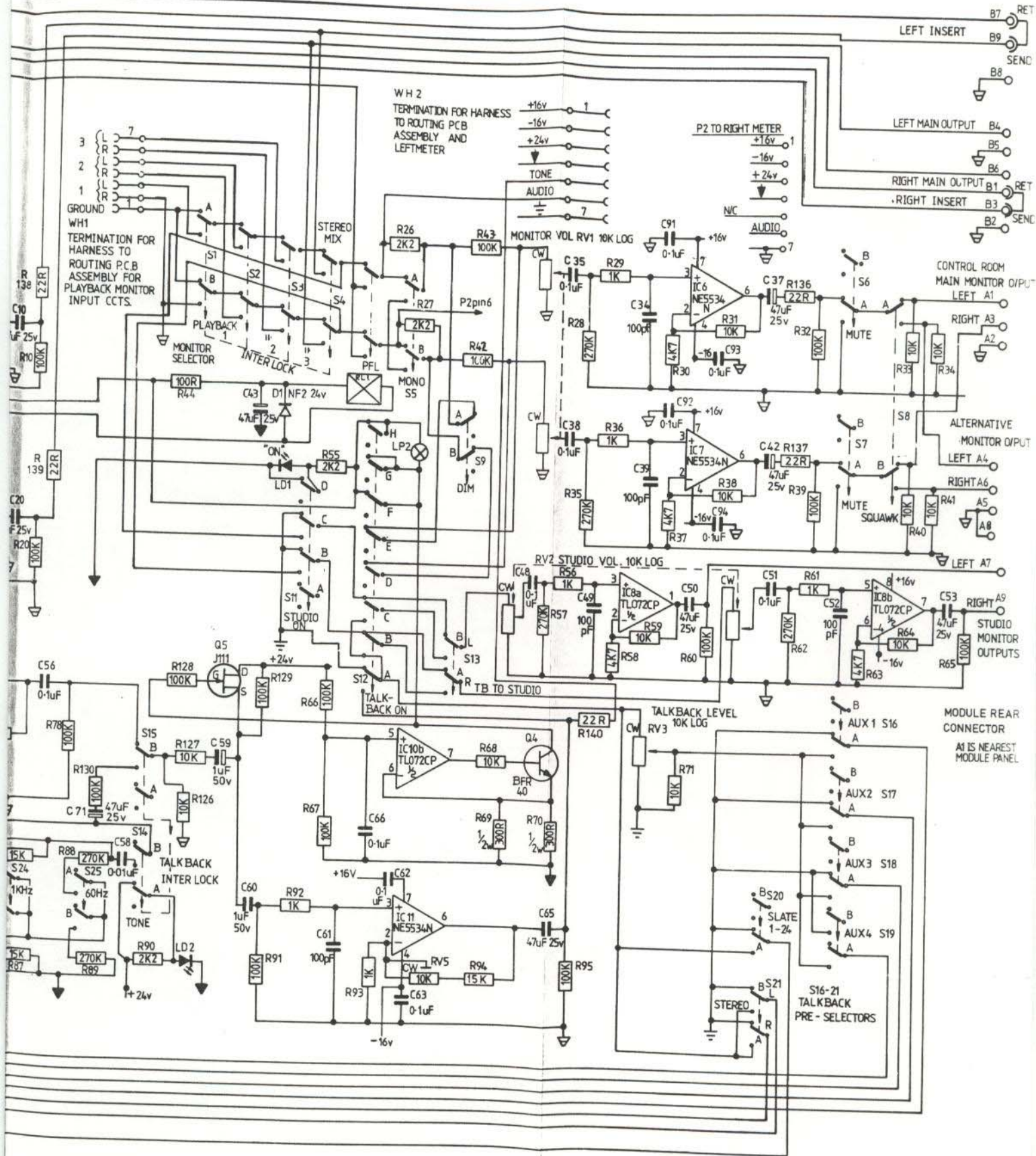
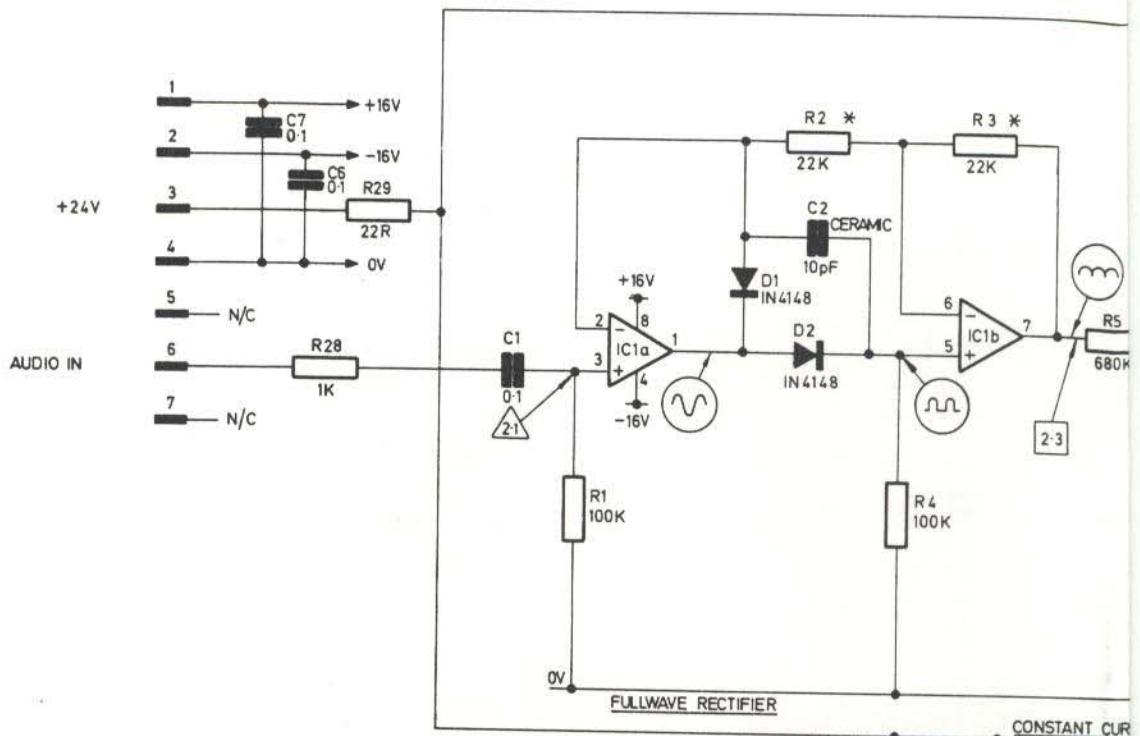


Fig. 16

SYNCON B, MONITOR MODULE SB31 CCTS ISS4, 2-82

DRG. SBC 05



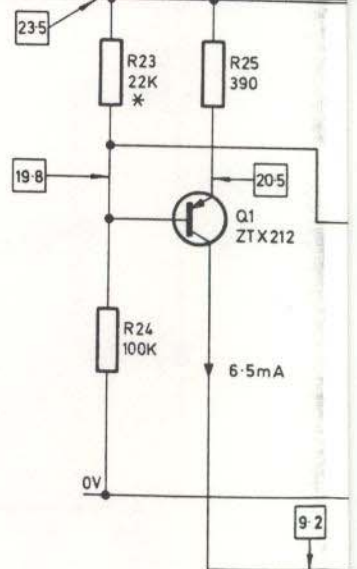
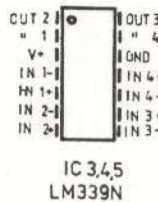
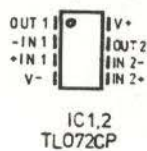
NOTES:

RESISTORS 1/4 W 5%

* RESISTORS 1/4 W 2%

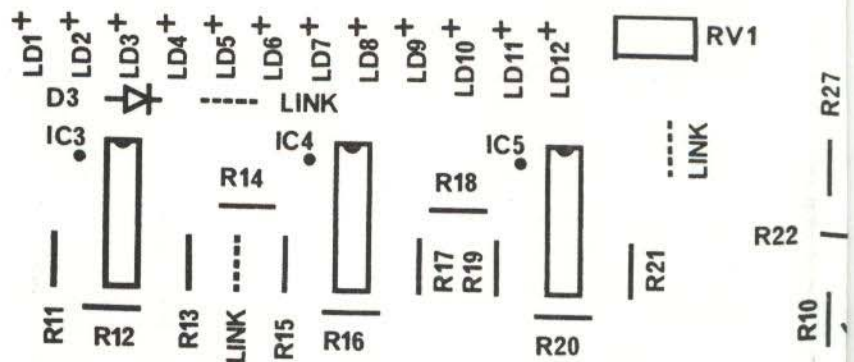
TEST POINTS DC AC SCOPE VOLTAGES ARE VOLTS

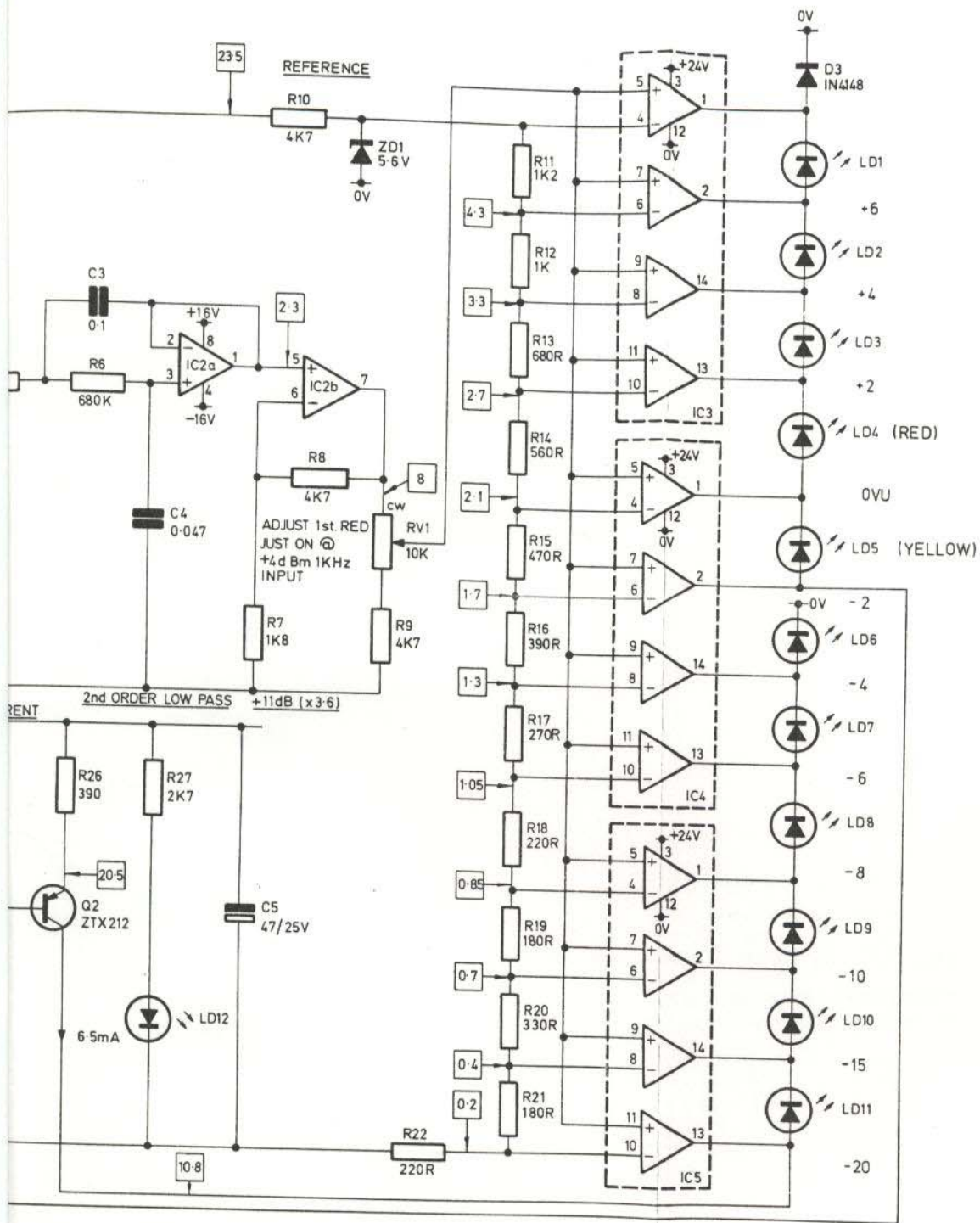
MEASURED WITH METRIX 202 AC=DC
 MAX. RIG INPUT, PRESET FOR 0dB=+4dBm



CIRCUIT DIAGRAM FOR SYNCON

PCB AG0046 ISS 3 PART ZB.100.107





3 LIGHT COLUMN METER

DRAWING No. SBC.02

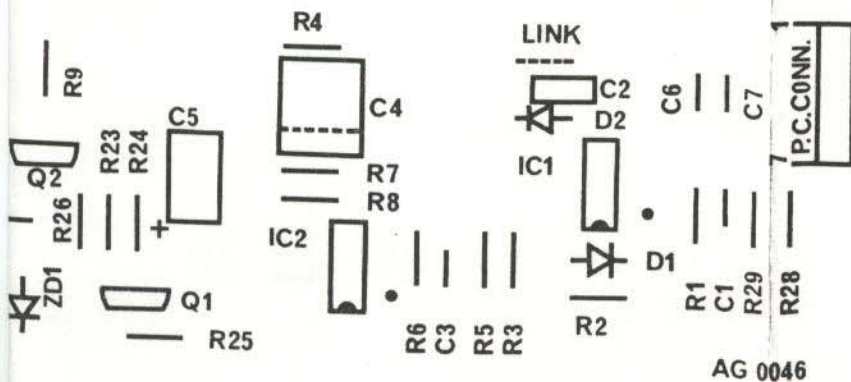
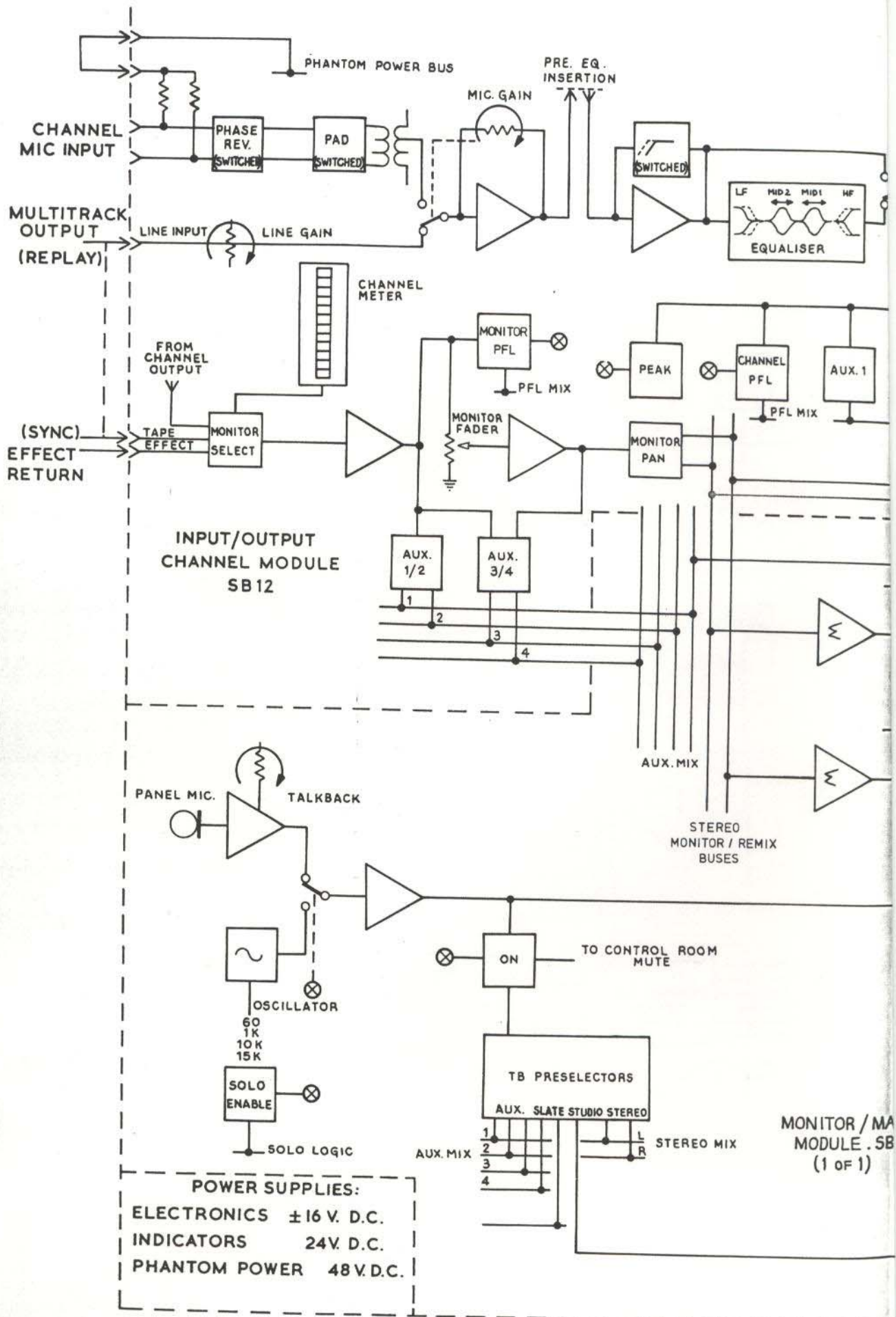


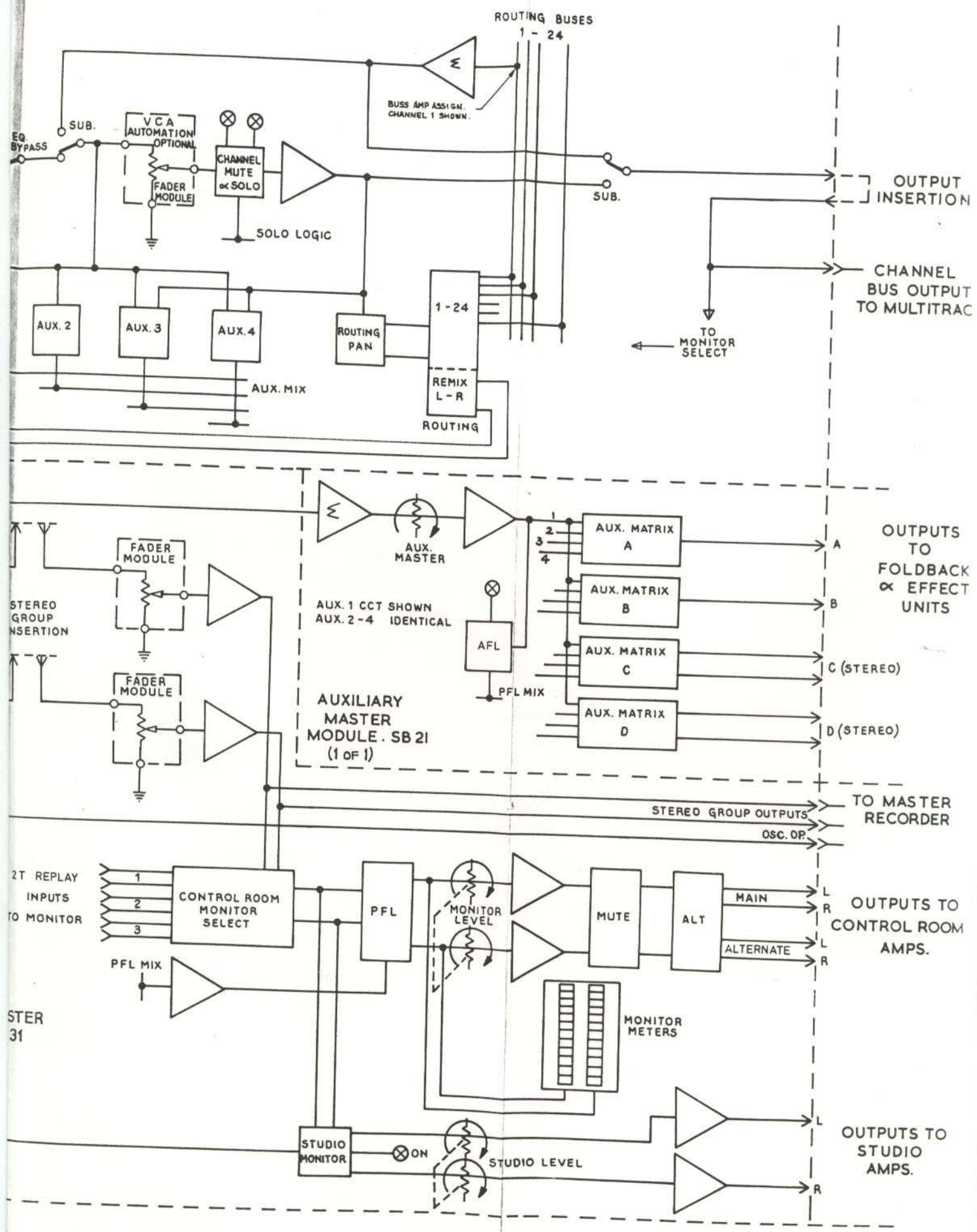
Fig. 17



POWER SUPPLIES:
 ELECTRONICS ±16 V. D.C.
 INDICATORS 24V. D.C.
 PHANTOM POWER 48V.D.C.

MONITOR / MA
 MODULE . SB
 (1 OF 1)

No.	DESCRIPTION	CHKD	APPD	DATE
ALTERATIONS				



SYNCON SERIES B

Fig. 8

CONSOLE SCHEMATIC SB 12/21/31. DRAWING No. SBC 13