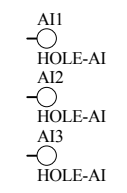
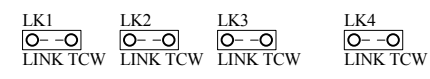
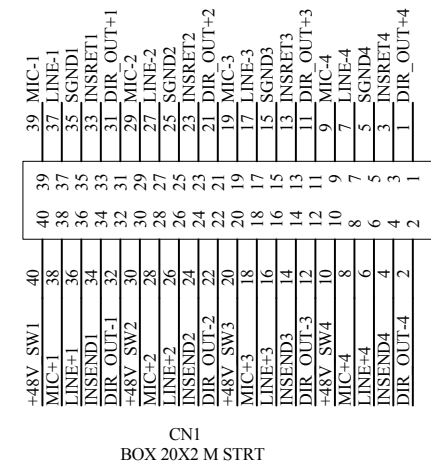
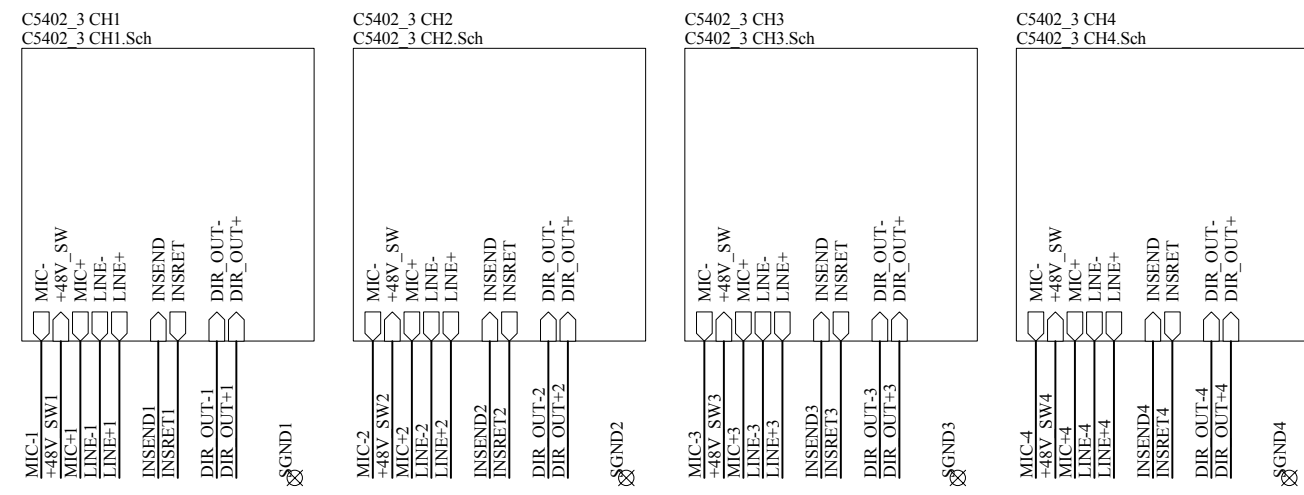


e
d
c
b
a



ALLEN&HEATH
 Kernick Industrial Estate,
 Penryn, Cornwall,
 England. TR10 9LU
 Tel: +44 (0)8707 556250
 Fax: +44 (0)8707 556251

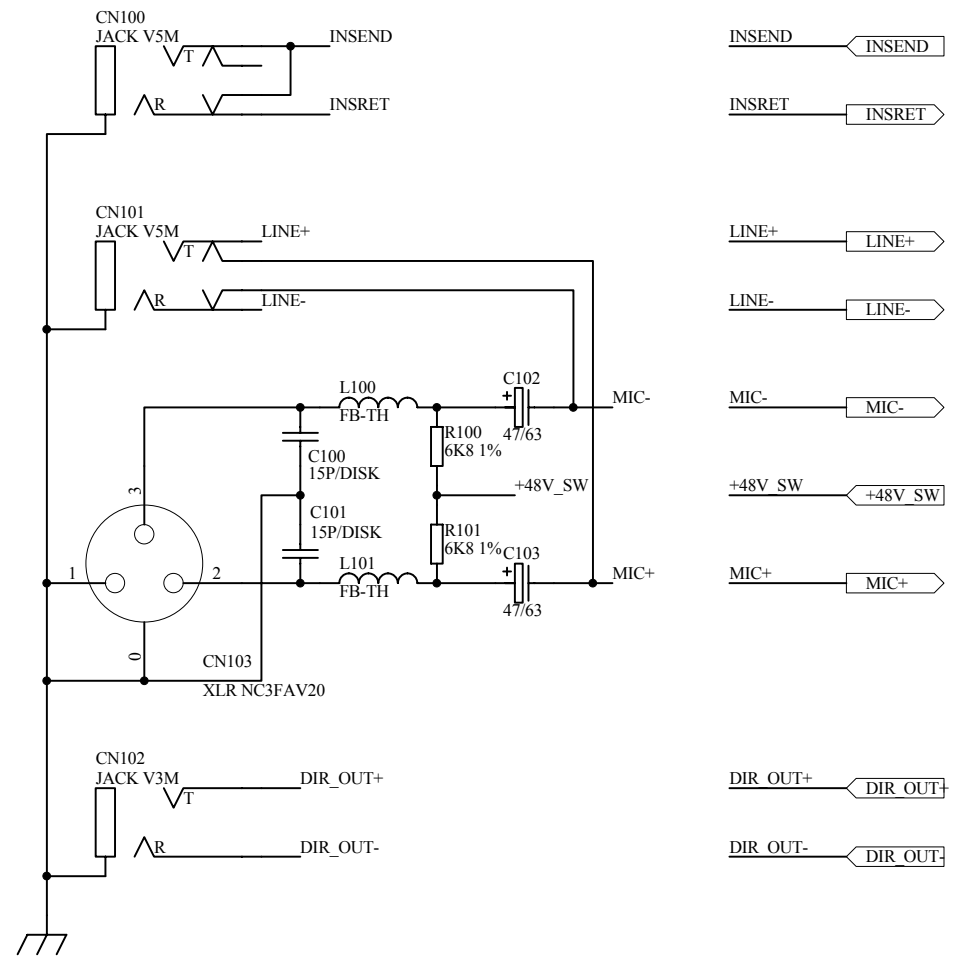
ISSUE	BY	DATE	CHK BY
A	AAT	12-11-03	XXX
1	MG	24-8-04	XXX
2	MG	25/02/05	XXX
3	MG	29/04/05	XXX

FILE: C5402_3.Sch

PRINTED: 10:15:52 7-Jun-2005

TITLE: **GL2400 MONO CONN PCB**
 PAGE: FRONT
 DRG No: **C5402** ISSUE: 3 SHEET: 1 OF 5

e
d
c
b
a



ALLEN&HEATH
 Kernick Industrial Estate,
 Penryn, Cornwall,
 England. TR10 9LU
 Tel: +44 (0)8707 556250
 Fax: +44 (0)8707 556251

ISSUE	BY	DATE	CHK BY
A	AAT	12-11-03	XXX
1	MG	24-8-04	XXX
2	MG	25/02/05	XXX
3	MG	29/04/05	XXX

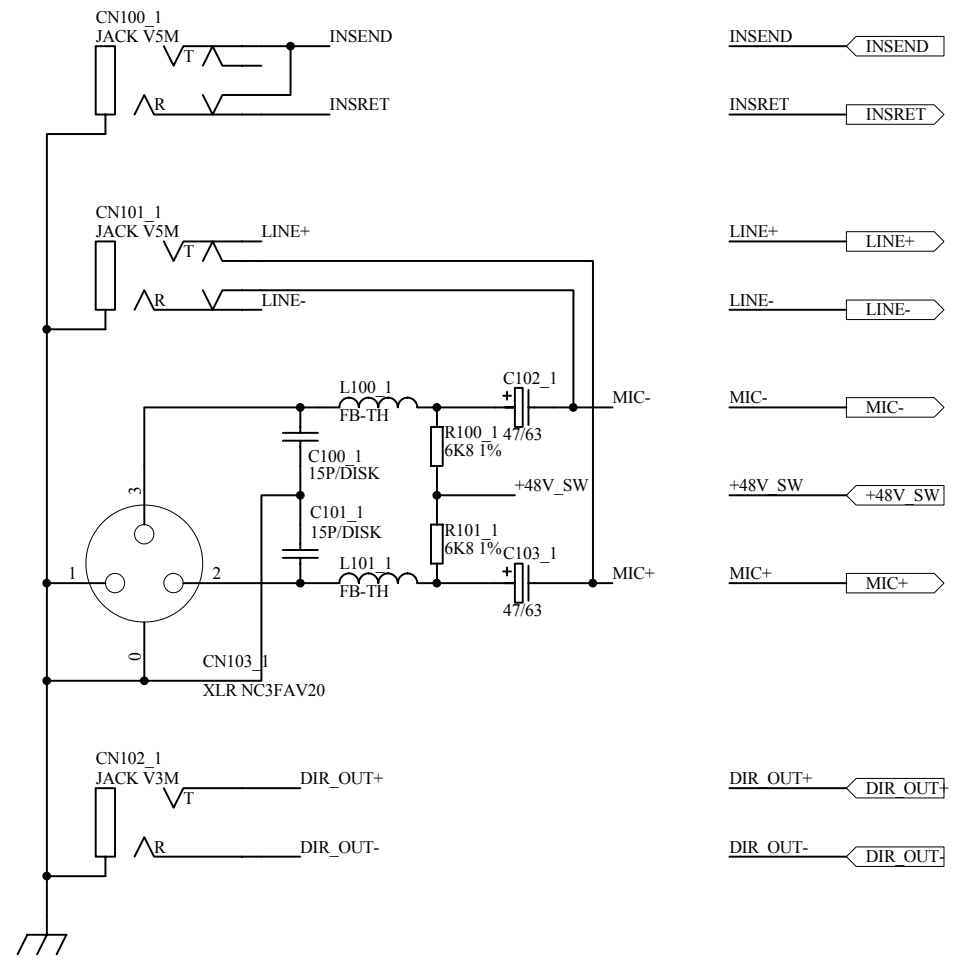
FILE: C5402_3 CH1.Sch

PRINTED: 10:15:52 7-Jun-2005

TITLE: **GL2400 MONO CONN PCB**
 PAGE: CH1 CONNS
 DRG No: **C5402** ISSUE: 3 SHEET: 2 OF 5

003-228 iss.3

e
d
c
b
a



ALLEN&HEATH
 Kernick Industrial Estate,
 Penryn, Cornwall,
 England. TR10 9LU
 Tel: +44 (0)8707 556250
 Fax: +44 (0)8707 556251

ISSUE	BY	DATE	CHK BY
A	AAT	12-11-03	XXX
1	MG	24-8-04	XXX
2	MG	25/02/05	XXX
3	MG	29/04/05	XXX

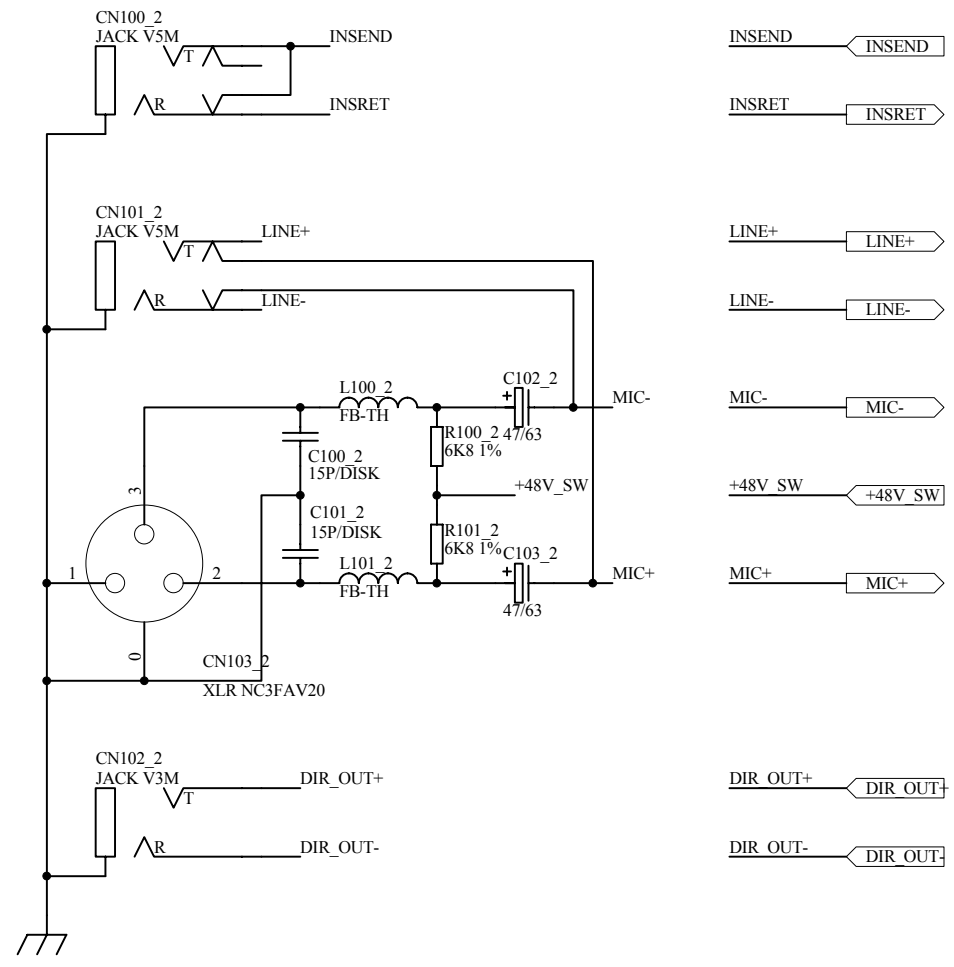
FILE: C5402_3 CH2.Sch

PRINTED: 10:15:52 7-Jun-2005

TITLE: **GL2400 MONO CONN PCB**
 PAGE: CH2 CONNS
 DRG No: **C5402** ISSUE: 3 SHEET: 3 OF 5

003-228 iss.3

e
d
c
b
a



ALLEN&HEATH
 Kernick Industrial Estate,
 Penryn, Cornwall,
 England. TR10 9LU
 Tel: +44 (0)8707 556250
 Fax: +44 (0)8707 556251

ISSUE	BY	DATE	CHK BY
A	AAT	12-11-03	XXX
1	MG	24-8-04	XXX
2	MG	25/02/05	XXX
3	MG	29/04/05	XXX

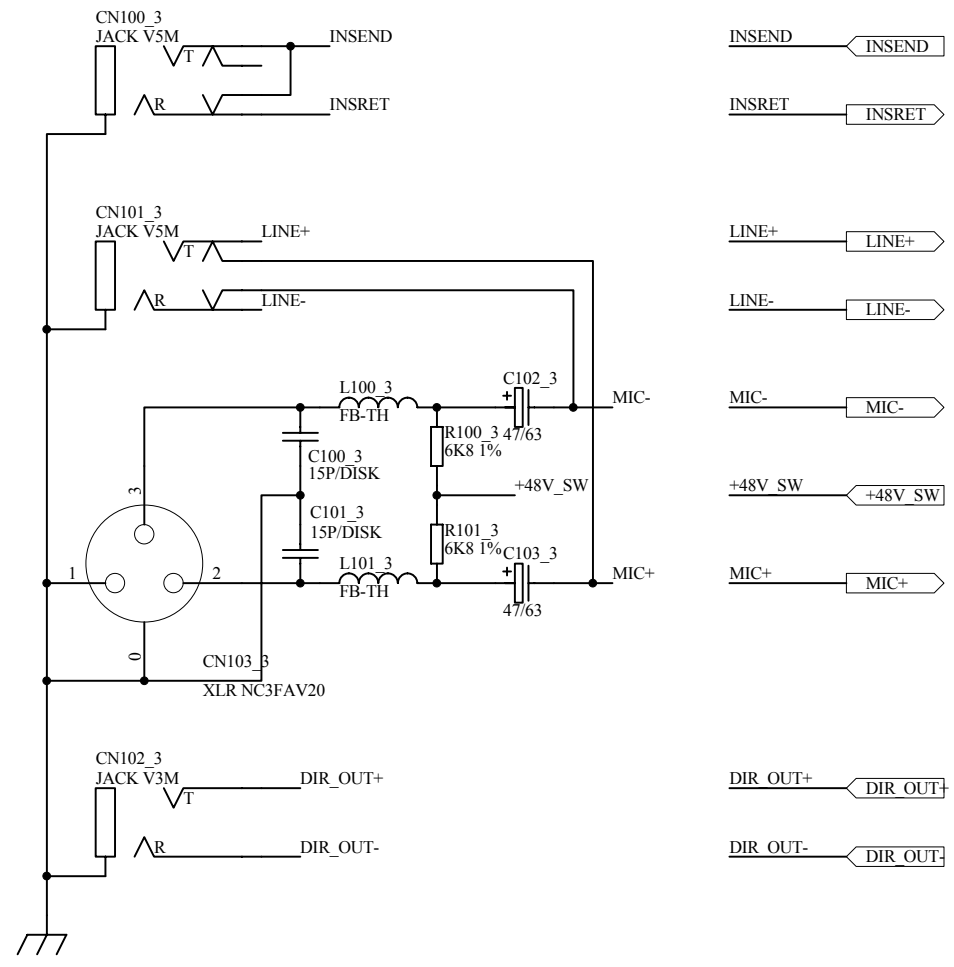
FILE: C5402_3 CH3.Sch

PRINTED: 10:15:52 7-Jun-2005

TITLE: **GL2400 MONO CONN PCB**
 PAGE: CH3 CONNS
 DRG No: **C5402** ISSUE: 3 SHEET: 4 OF 5

003-228 iss.3

e
d
c
b
a



ALLEN&HEATH
 Kernick Industrial Estate,
 Penryn, Cornwall,
 England. TR10 9LU
 Tel: +44 (0)8707 556250
 Fax: +44 (0)8707 556251

ISSUE	BY	DATE	CHK BY
A	AAT	12-11-03	XXX
1	MG	24-8-04	XXX
2	MG	25/02/05	XXX
3	MG	29/04/05	XXX

FILE: C5402_3 CH4.Sch

PRINTED: 10:15:52 7-Jun-2005

TITLE: **GL2400 MONO CONN PCB**
 PAGE: CH4 CONNS
 DRG No: **C5402** ISSUE: 3 SHEET: 5 OF 5

003-228 iss.3

