

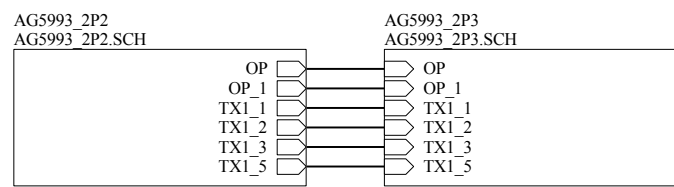
e

d

c

b

a



- LK1 LINK TCW
- LK2 LINK TCW
- LK3 LINK TCW
- LK4 LINK TCW
- LK5 LINK TCW
- LK6 LINK TCW
- LK7 LINK TCW
- LK8 LINK TCW
- LK9 LINK TCW
- LK10 LINK TCW
- LK11 LINK TCW
- LK12 LINK TCW
- LK13 LINK TCW
- LK14 LINK TCW
- LK15 LINK TCW
- LK16 LINK TCW
- LK17 LINK TCW
- LK18 LINK TCW
- LK19 LINK TCW
- LK20 LINK TCW
- LK21 LINK TCW

ALLEN&HEATH

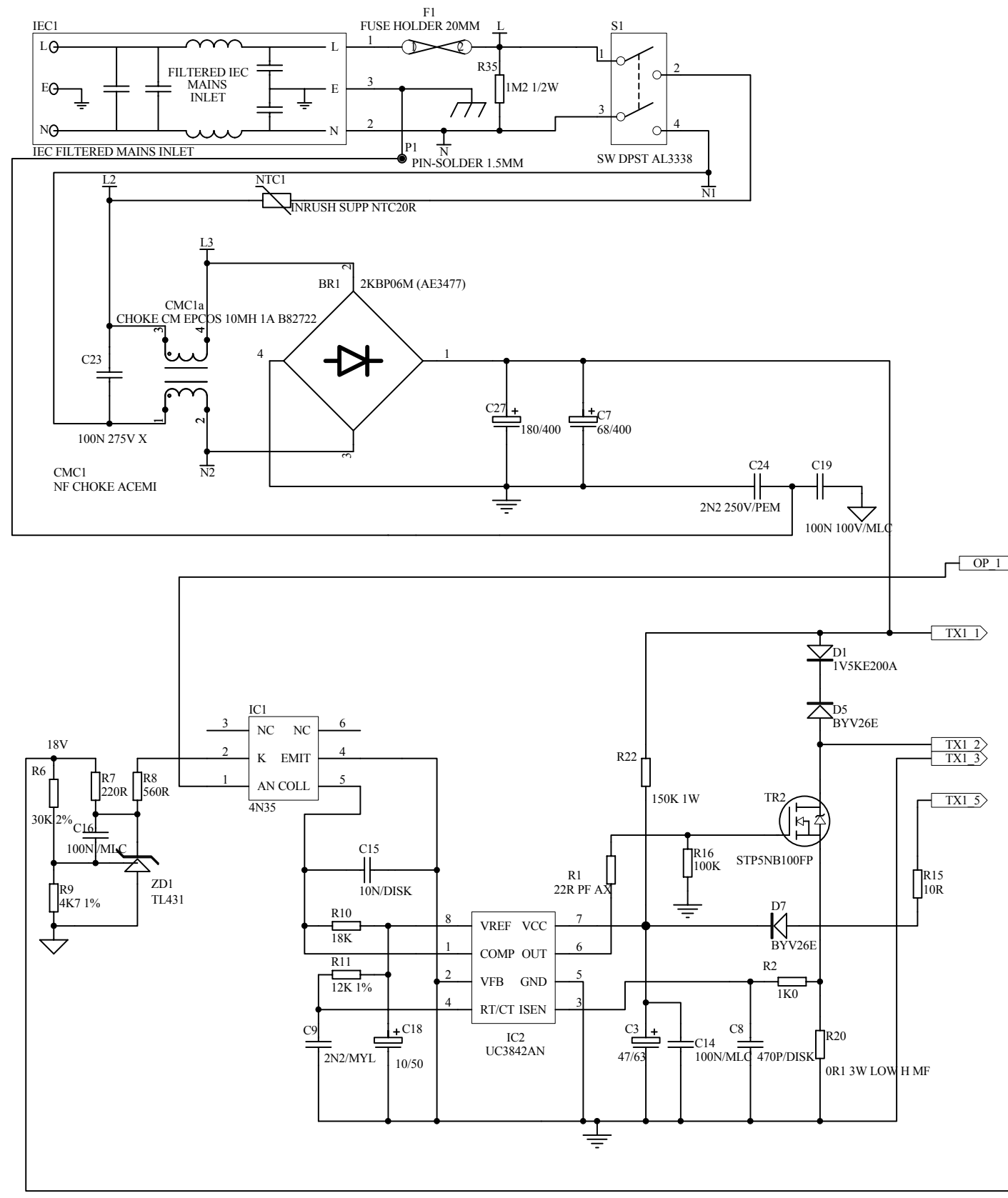
Kernick Industrial Estate,
 Penryn, Cornwall,
 England. TR10 9LU
 Tel: +44 (0)8707 556250
 Fax: +44 (0)8707 556251

| ISSUE | BY | DATE | CHK BY |
|-------|-----|------------|--------|
| 1 | SRT | 11-10-2004 | |
| 2 | SRT | 27-10-2004 | |

FILE: AG5993_2P1.SCH

PRINTED: 13:41:45 19-Apr-2005

TITLE: **GL2400 PSU**
 PAGE:
 DRG No: **AG5993** ISSUE: **2** SHEET: **1** OF **3**



ALLEN&HEATH

Kernick Industrial Estate,
Penryn, Cornwall,
England. TR10 9LU
Tel: +44 (0)8707 556250
Fax: +44 (0)8707 556251

| ISSUE | BY | DATE | CHK BY |
|-------|-----|------------|--------|
| 1 | SRT | 11-10-2004 | |
| 2 | SRT | 27-10-2004 | |

FH7
○ HOLE-FIXING 3.5MM
FH8
○ HOLE-FIXING 3.5MM
CMC CHOKE SHIELD MOUNTING HOLES

FILE: AG5993_2P2.SCH

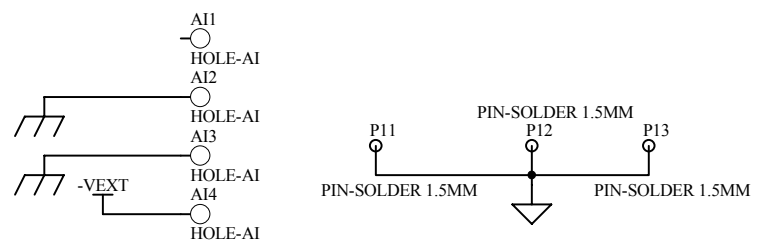
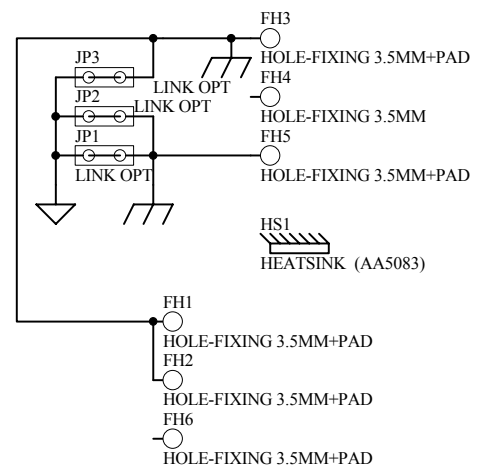
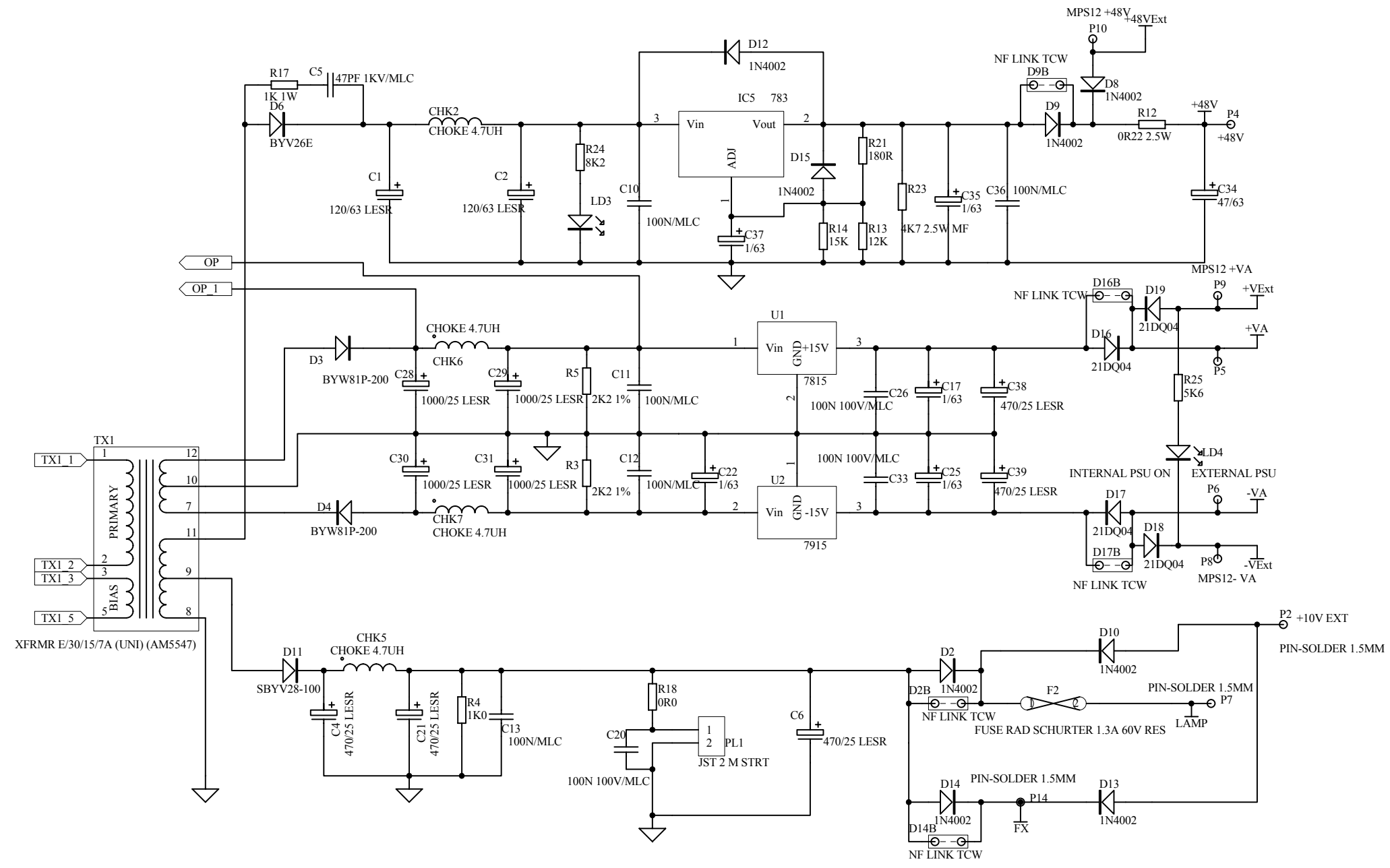
TITLE: GL2400 PSU

PAGE:

DRG No: AG5993 ISSUE: 2 SHEET: 2 OF 3

PRINTED: 13:41:45 19-Apr-2005

003-230 iss.2



PRODUCT POPULATION CHANGES FOR PA AND MPS12

| DESIGNATOR | PA | MPS12 | GL2400 |
|------------|----|-------|-----------------------|
| LD3 | NF | F | (as set in schematic) |
| LD4 | NF | NF | |
| D2 | NF | NF | |
| D2B (TCW) | F | F | |
| D9 | NF | NF | |
| D9B (TCW) | F | F | |
| D16 | NF | NF | |
| D16B (TCW) | F | F | |
| D17 | NF | NF | |
| D17B (TCW) | F | F | |
| D14 | NF | NF | |
| D14B (TCW) | F | F | |

ALLEN&HEATH
 Kernick Industrial Estate,
 Penryn, Cornwall,
 England. TR10 9LU
 Tel: +44 (0)8707 556250
 Fax: +44 (0)8707 556251

| ISSUE | BY | DATE | CHK BY |
|-------|-----|------------|--------|
| 1 | SRT | 11-10-2004 | |
| 2 | SRT | 27-10-2004 | |

FILE: AG5993_2P3.SCH

PRINTED: 13:41:45 19-Apr-2005

TITLE: GL2400 PSU
 PAGE:

DRG No: AG5993 ISSUE: 2 SHEET: 3 OF 3

