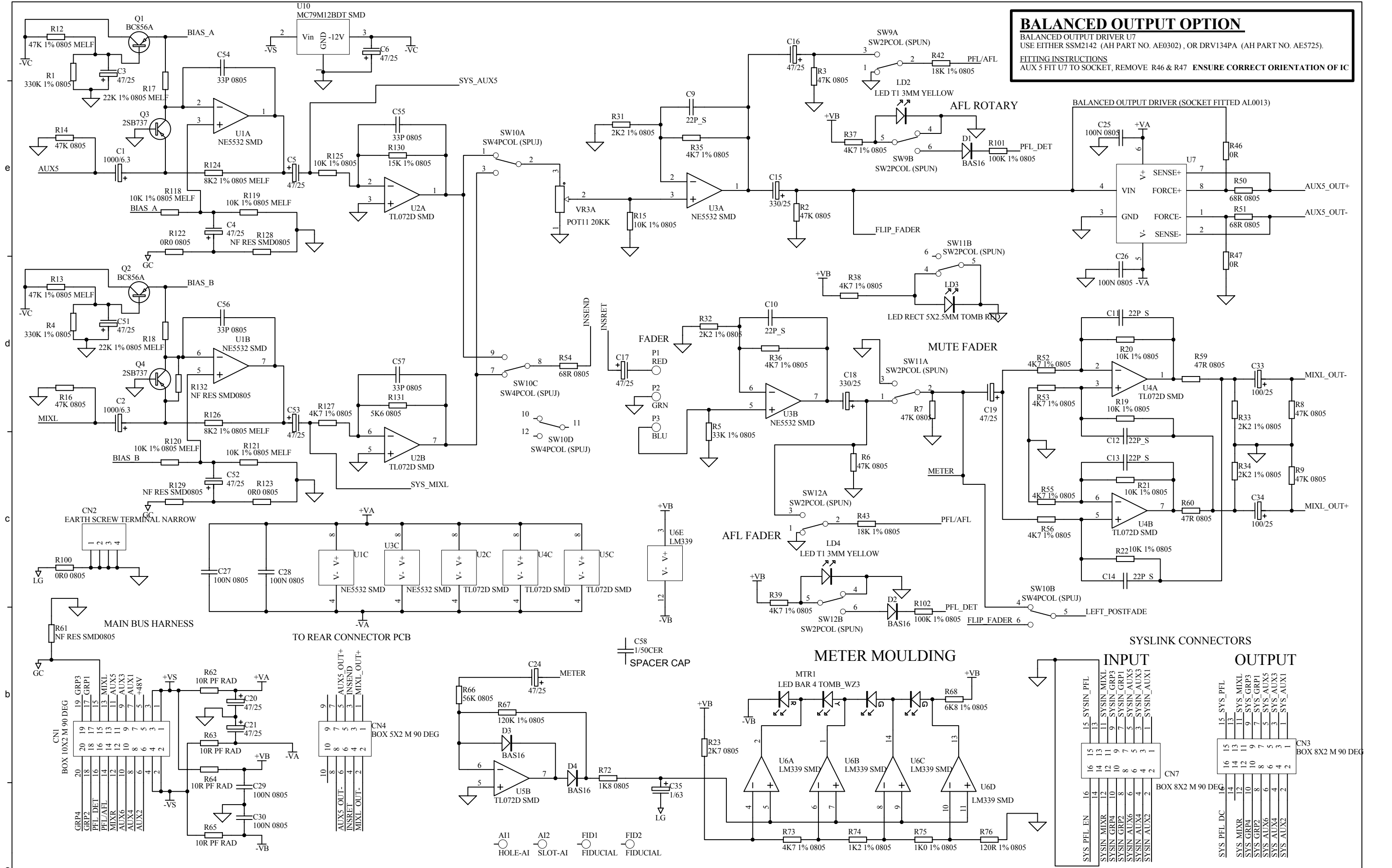
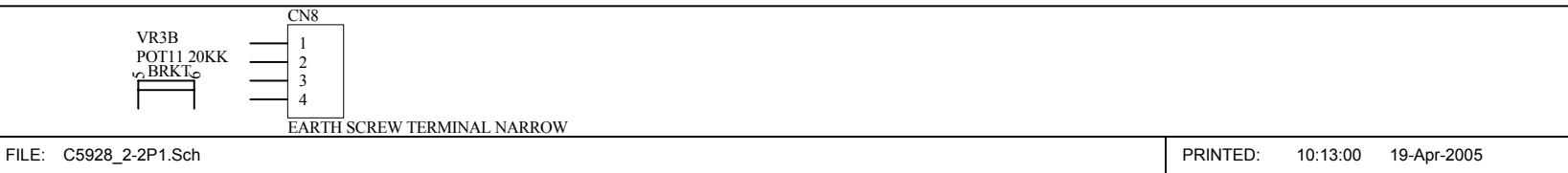


BALANCED OUTPUT OPTION
 BALANCED OUTPUT DRIVER U7
 USE EITHER SSM2142 (AH PART NO. AE0302), OR DRV134PA (AH PART NO. AE5725).
 FITTING INSTRUCTIONS
 AUX 5 FIT U7 TO SOCKET, REMOVE R46 & R47 ENSURE CORRECT ORIENTATION OF IC

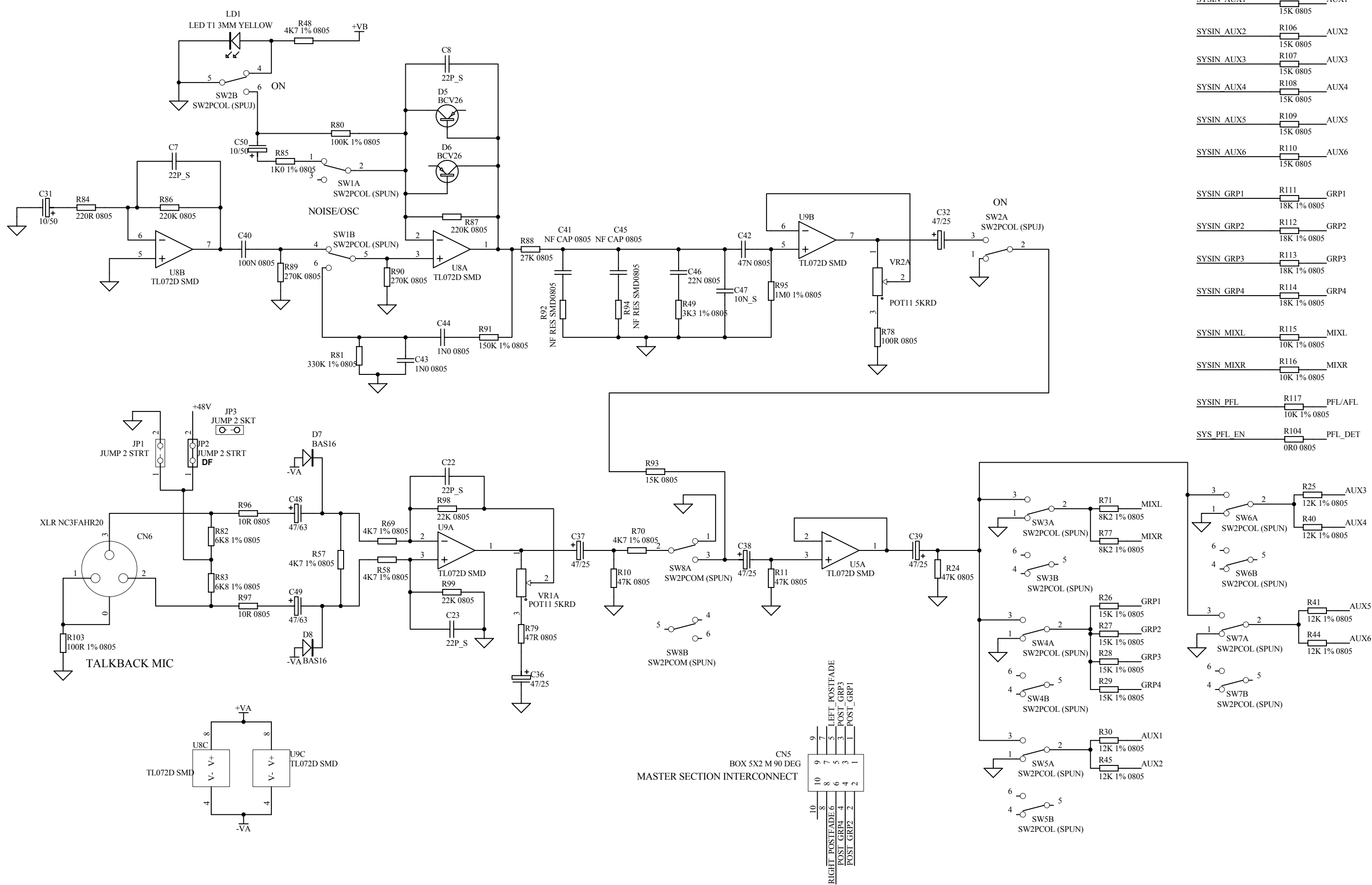


ALLEN&HEATH
 Kernick Industrial Estate,
 Penryn, Cornwall,
 England. TR10 9LU
 Tel: +44 (0)8707 556250
 Fax: +44 (0)8707 556251

ISSUE	BY	DATE	CHK BY
1	MG	25-08-04	
2	MG	23-09-04	KV
2.1	MG	07/12/04	
2.2	AAT	21-12-04	



TITLE: **GL2400 LEFT PCB**
 PAGE:
 DRG No: **C5928** ISSUE: 2.2 SHEET: 1 OF 2



SYSIN_AUX1	R105	AUX1
SYSIN_AUX2	R106	AUX2
SYSIN_AUX3	R107	AUX3
SYSIN_AUX4	R108	AUX4
SYSIN_AUX5	R109	AUX5
SYSIN_AUX6	R110	AUX6
SYSIN_GRP1	R111	GRP1
SYSIN_GRP2	R112	GRP2
SYSIN_GRP3	R113	GRP3
SYSIN_GRP4	R114	GRP4
SYSIN_MIXL	R115	MIXL
SYSIN_MIXR	R116	MIXR
SYSIN_PFL	R117	PFL/AFL
SYS_PFL_EN	R104	PFL_DET

AUX3	R25	AUX3
AUX4	R40	AUX4
AUX5	R41	AUX5
AUX6	R44	AUX6

AUX1	R30	AUX1
AUX2	R45	AUX2

ALLEN&HEATH
 Kernick Industrial Estate,
 Penryn, Cornwall,
 England. TR10 9LU
 Tel: +44 (0)8707 556250
 Fax: +44 (0)8707 556251

ISSUE	BY	DATE	CHK BY
1	MG	25-08-04	
2	MG	23-09-04	KV
2.1	MG	07/12/04	
2.2	AAT	21-12-04	

VR1B	POT11 5KRD	BRKT
VR2B	POT11 5KRD	BRKT

FILE: C5928_2-2P2.Sch

TITLE:	GL2400 LEFT PCB
PAGE:	
DRG No:	C5928
ISSUE:	2.2
SHEET:	2 OF 2

PRINTED: 10:13:01 19-Apr-2005

