

Service *Manual*

MODEL: LYNX-MIX124/164/204 USB MKII □

LYNX-MIX124 UM MKII/LYNX-MIX244 USB □

CONTENT

1. INTRODUCTION.....	1
2. TECHNICAL SPECIFICATIONS.....	2
3. BLOCK DIAGRAM & SCHEMATIC DIAGRAM.....	4
4. PCB LAYOUT.....	26
5. EXPLODED VIEW & PARTS LIST	30
6. BOM.....	37

1 INTRODUCTION

LYNX-MIX124 USB 12(LYNX-MIX164 USB 16/LYNX-MIX204 USB 20/LYNX-MIX244 USB 24) channels mix with digital effect built-in, the features are as follows:

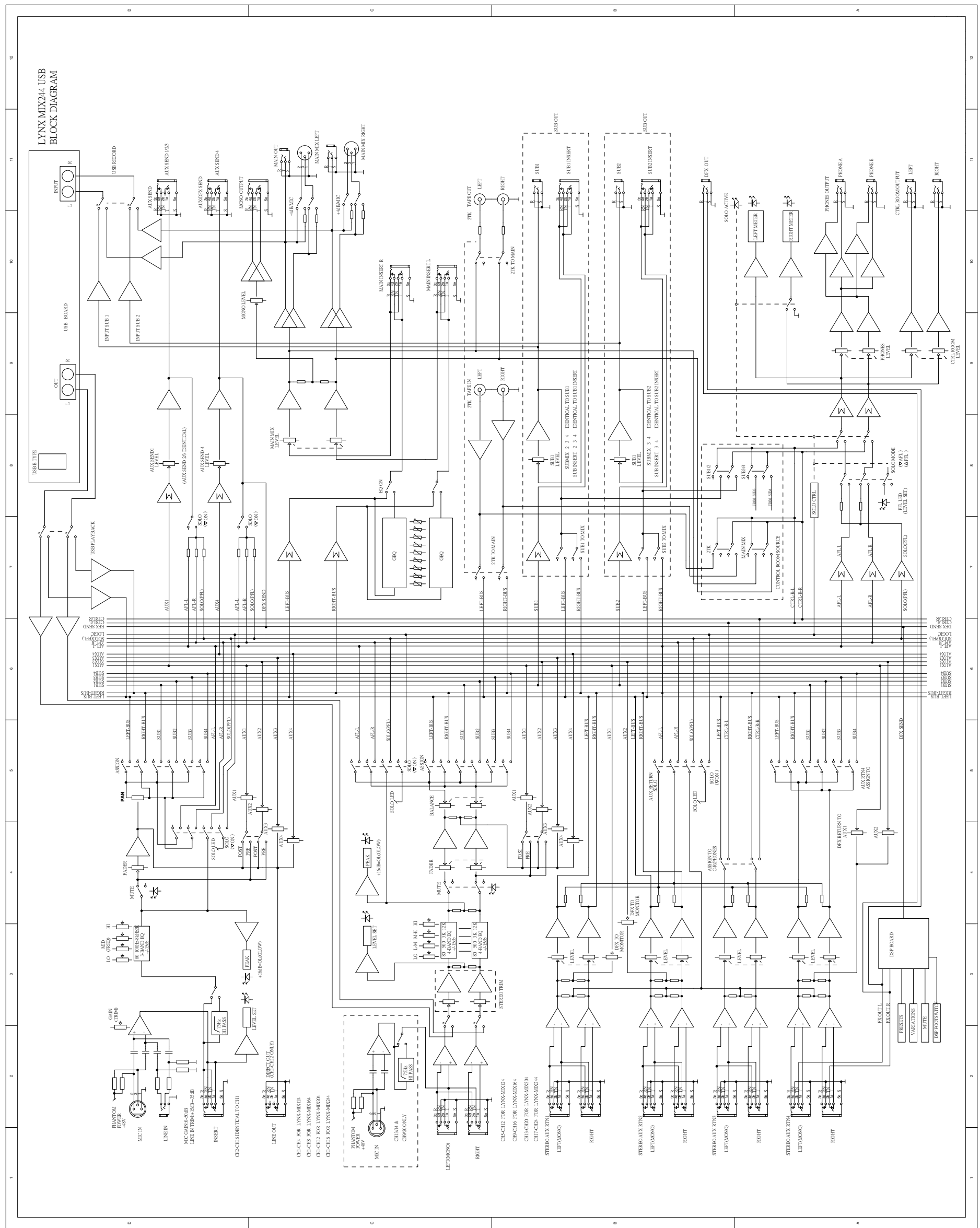
1. Gold-plated XLR and balanced LINE inputs for 6/10/14 MIC input channels
2. Balanced TRS connector for 4 stereo inputs
3. Ultra-low noise MIC preamp with +48V phantom power and high-pass filter
4. Precise 60mm fader
5. MUTE, SOLO function, signal LED, CLIP LED and SUB1-2, SUB3-4 & MAIN L-R signal return switch on each input channel
6. 4 AUX sends on each channel: 2 switchable pre/post faders for monitoring and effects: 2 post faders for internal digital DFX or as external send
7. 4-band EQ on stereo channel
8. 3-band EQ on mono channel
9. Inserts, Direct Outputs, Main Mix Insert, Main Mix Insert on each mono channel for external effect device
10. 24-bit DSP effect with 256 effects(16 presets, 16 variations)
11. Stereo 9-band EQ
12. BNC connector for lamp
13. Matrix control room/headphone output
14. 2-TRACK IN assignable to main mix, control room/headphone output
15. Highly accurate 12 segment output level meters
16. With USB port connected to SUB-1 or MAIN MIX output in output mode, connected to CH11/12(CH15/16, CH19/20) or MAIN MIX output in input mode
17. LYNX-MIX124 UM is based on LYNX-MIX124 USB with a function added that play and program MP3 files in U disk

2 TECHNICAL SPECIFICATION

Mono Input Channels	Microphone Input	Electrically balanced, discrete input configuration
	Frequency Response	10Hz to 55KHz, +/-3dB
	Distortion(THD&N)	0.005% at +4dBu, 1KHz
	Gain Range	0dB to 50dB (MIC)
	SNR	115dB
	Line Input	Electrically balanced
	Frequency Response	10Hz to 55KHz, +/-3dB
	Distortion(THD&N)	0.005% at +4dBu, 1KHz
Stereo Input Channels	Sensitivity	+15dBu to -35dBu
	Line Input	Balanced/Unbalanced
Impedances	Frequency Response	10Hz to 55KHz, +/-3dB
	Distortion(THD&N)	0.005% at +4dBu, 1KHz
	Microphone Input	1.4Kohm
	Channel Insert Return	2.5Kohm
	All Other Inputs	10Kohm or greater
Equalization	Tape Out	1Kohm
	All Other Outputs	120ohm
	Hi-shelving	+/-15dB@12KHz
	Mid bell(Mono)	+/-15dB frequency range 100Hz~8KHz
	Hi-Low(Stereo)	+/-15dB@3KHz
	Mid-Low(Stereo)	+/-15dB@500Hz
DSP Section	Low-shelving	+/-15dB@80Hz
	Low Cut Filter	75Hz, 18dB/Oct.
	A/D & D/A Converters	24-bit
	DSP Resolution	24-bit
	Type of Effects	Hall, Room, Vocal & Plate REVERBS
		Mono & Stereo DELAY(Max DELAY TIME 650ms)
		Chorus, Flanger & Reverb MODULATIONS
		REVERB + DELAY, REVERB + CHORUS, REVERB +FLANGER Combinations
Presets	256	
Controls	16-position PRESET Selector	
	16-position VARIATION Selector	
	DSP MUTE SWITCH with PEAK LED Indicator	
Main Mix Section	Noise(BUS Noise)	Fader 0dB, Channels Muted:-100 dBr(ref:+4dBu) Fader 0dB, all input channels assigned and set to UNITY Gain:-90dBr (ref: +4dBu)
	Max Output	+22dBu Balanced XLR
		+22dBu Unbalanced, 1/4" jacks
	AUX Returns Gain Range	- to 15dB
AUX Sends Max Out	+22dBu	
Power Supply	Main Voltage	USA/Canada 100-120V/AC~60Hz
		Eurpe 210-240V/AC~50Hz
		U.K./Australia 240V/AC~50Hz
	Power Consumption	LYNX-MIX124 USB 40 Watts
		LYNX-MIX164 USB 50 Watts
		LYNX-MIX204 USB 60 Watts
		LYNX-MIX244 USB 70 Watts
	Fuse	LYNX-MIX124 USB T1.25AL
LYNX-MIX164 USB T1.25AL		
LYNX-MIX204 USB T1.6AL		
LYNX-MIX244 USB T1.6AL		

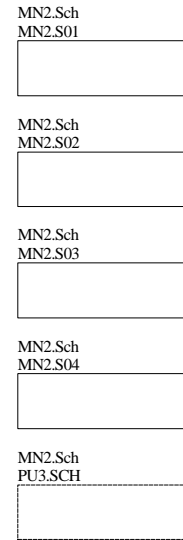
Physical	Dimension(W*D*H)	LYNX-MIX124 USB 415*400*38/115(16.34*15.75*1.49/4.53)
		LYNX-MIX164 USB 525*400*38/115(20.67*15.75*1.49/4.53)
		LYNX-MIX204 USB 645*400*38/115(25.39*15.75*1.49/4.53)
		LYNX-MIX244 USB 765*400*38/115(30.12*15.75*1.49/4.53)
	Net Weight	LYNX-MIX124 USB 5.80Kg(12.8lb)
		LYNX-MIX164 USB 7.40Kg(16.3lb)
		LYNX-MIX204 USB 9.00Kg(19.8lb)
		LYNX-MIX244 USB 10.6Kg(23.4lb)

3 BLOCK DIAGRAM

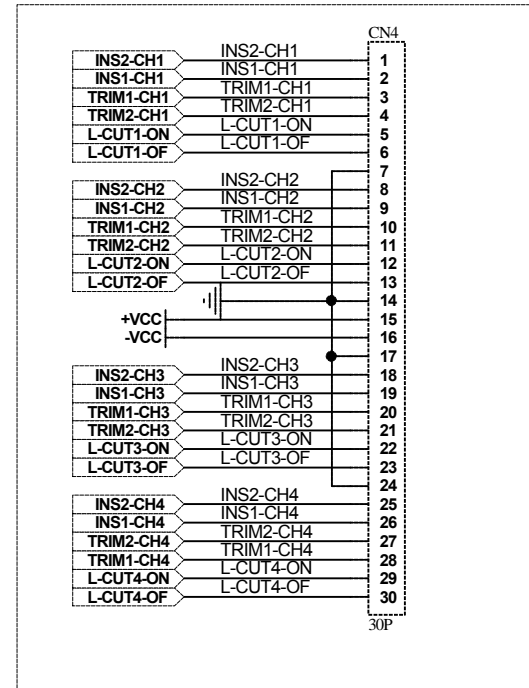


SCHEMATIC DIAGRAM

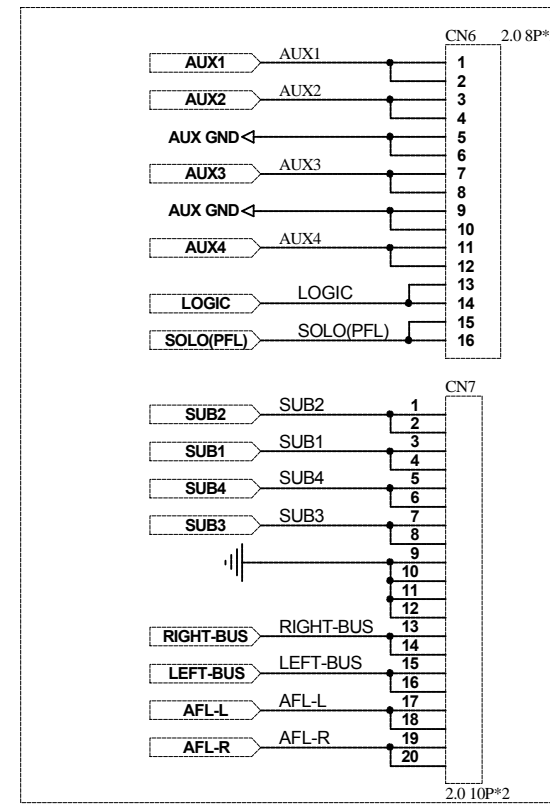
LYNX-MIX124 USB/UM_MONO(1/6)



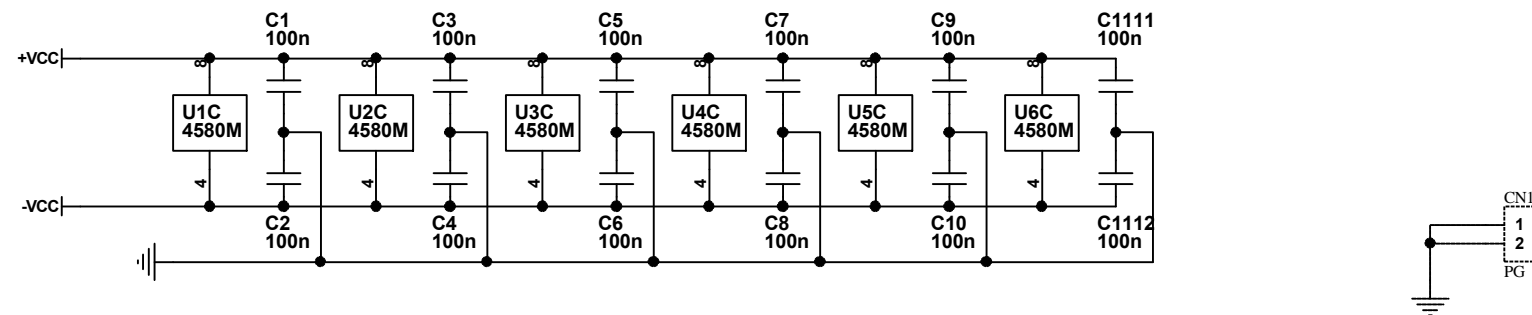
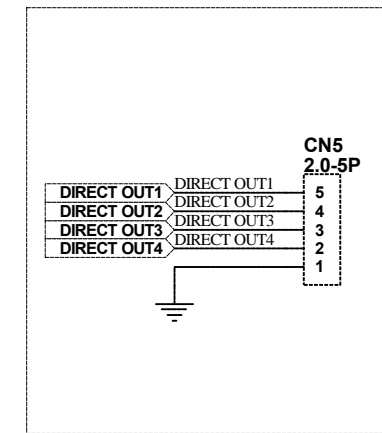
TO PU2



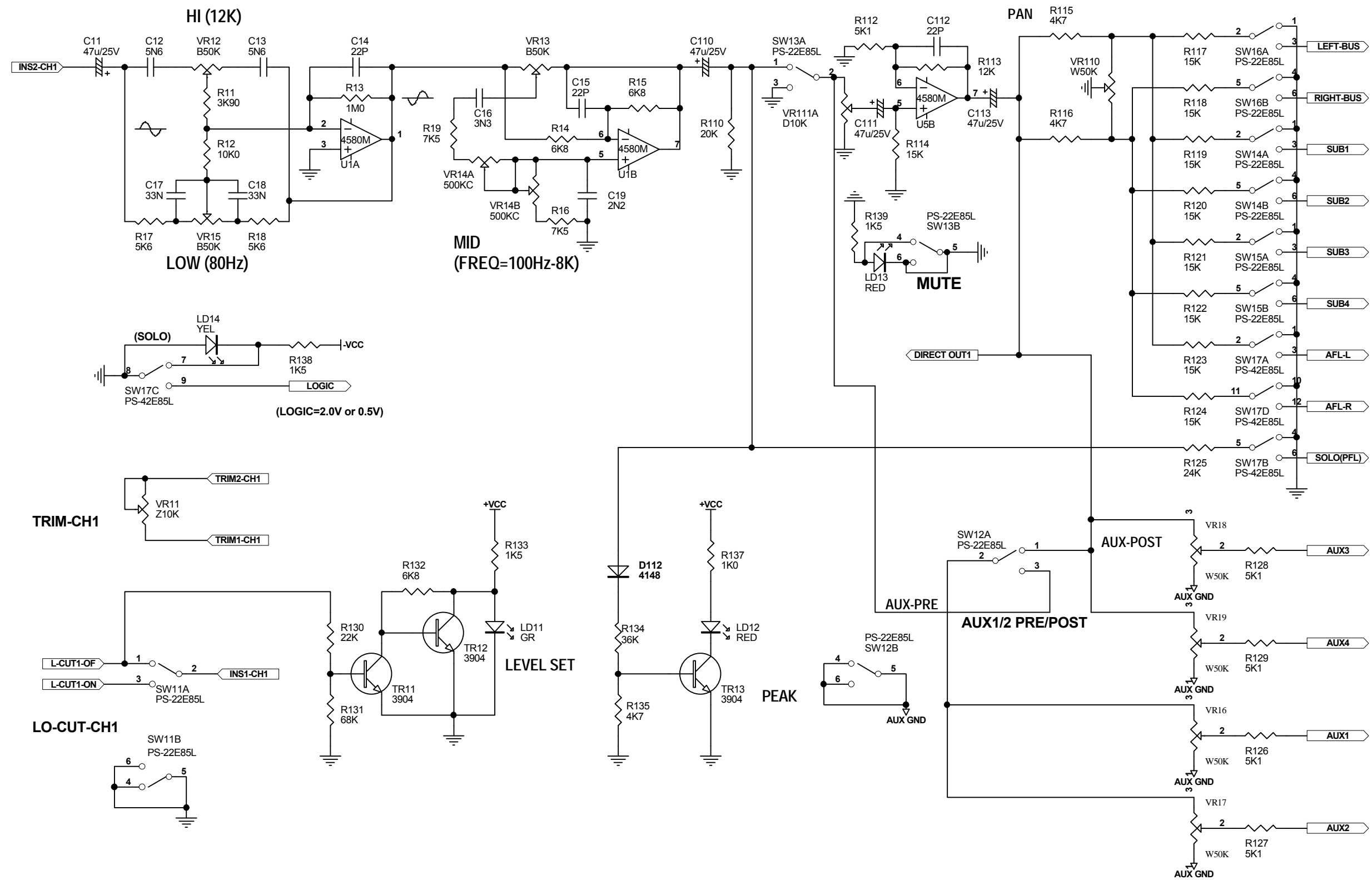
TO MN1



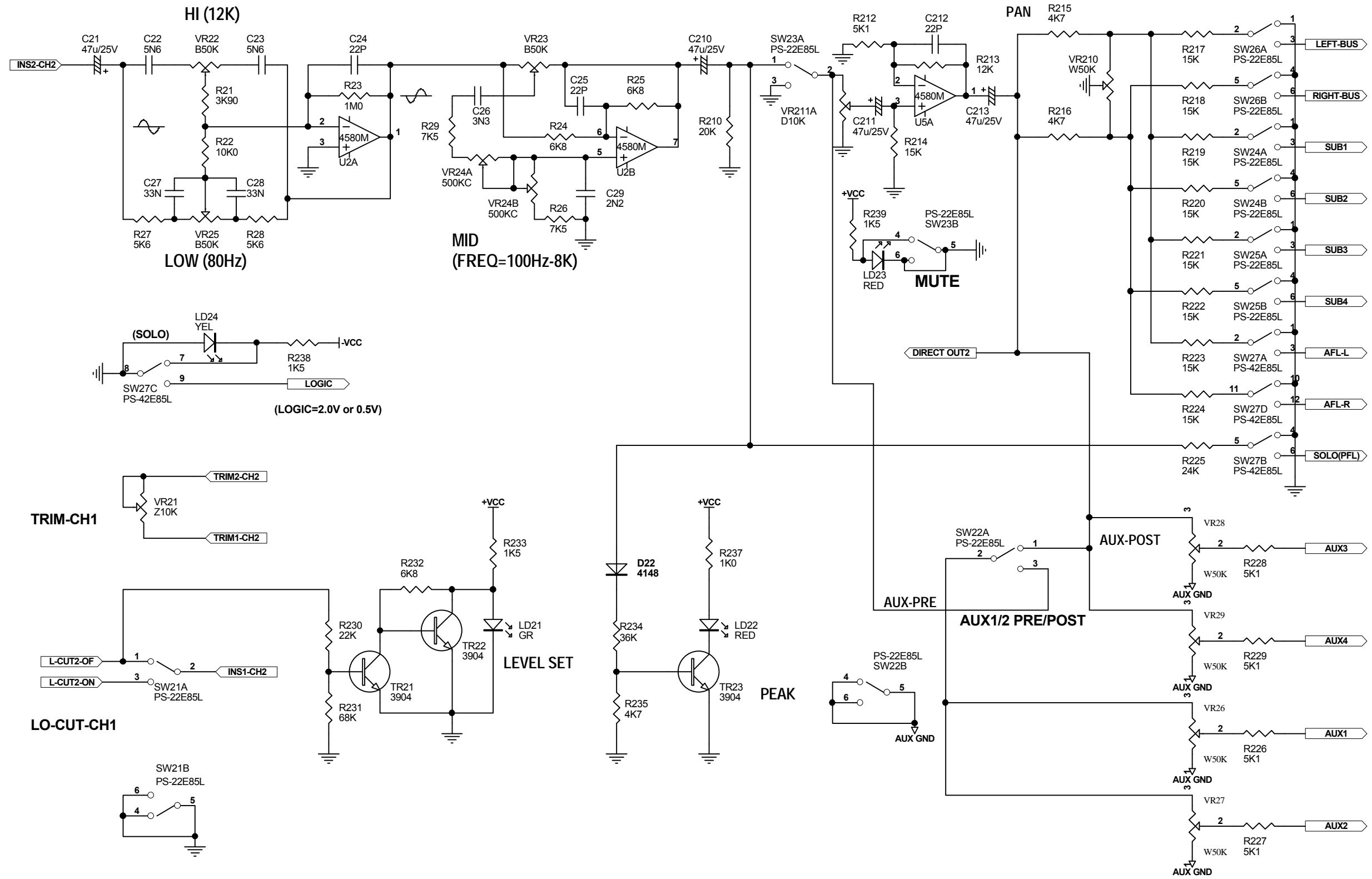
TO DIRECT OUT



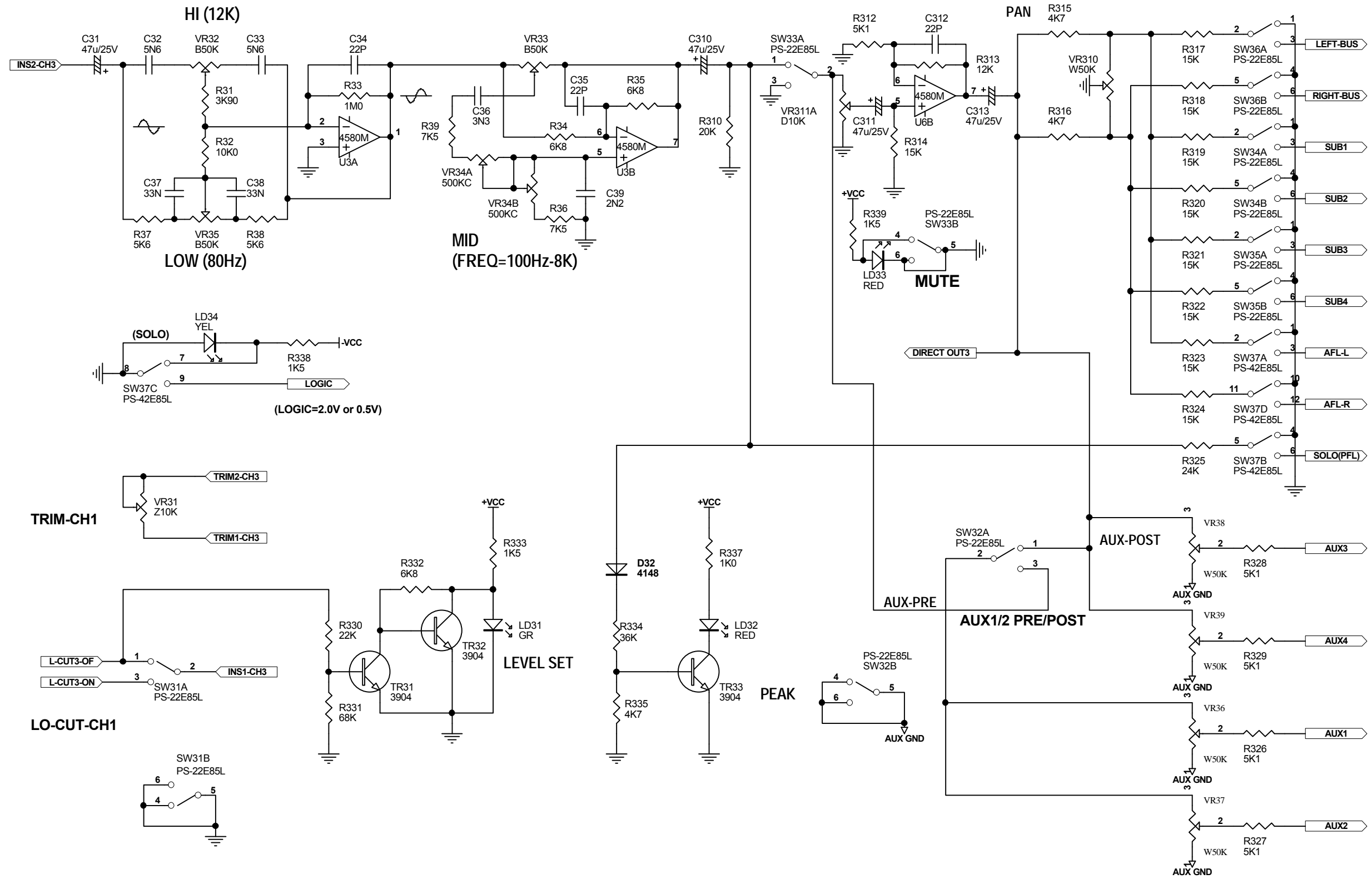
LYNX-MIX124 USB/UM_MONO(2/6)



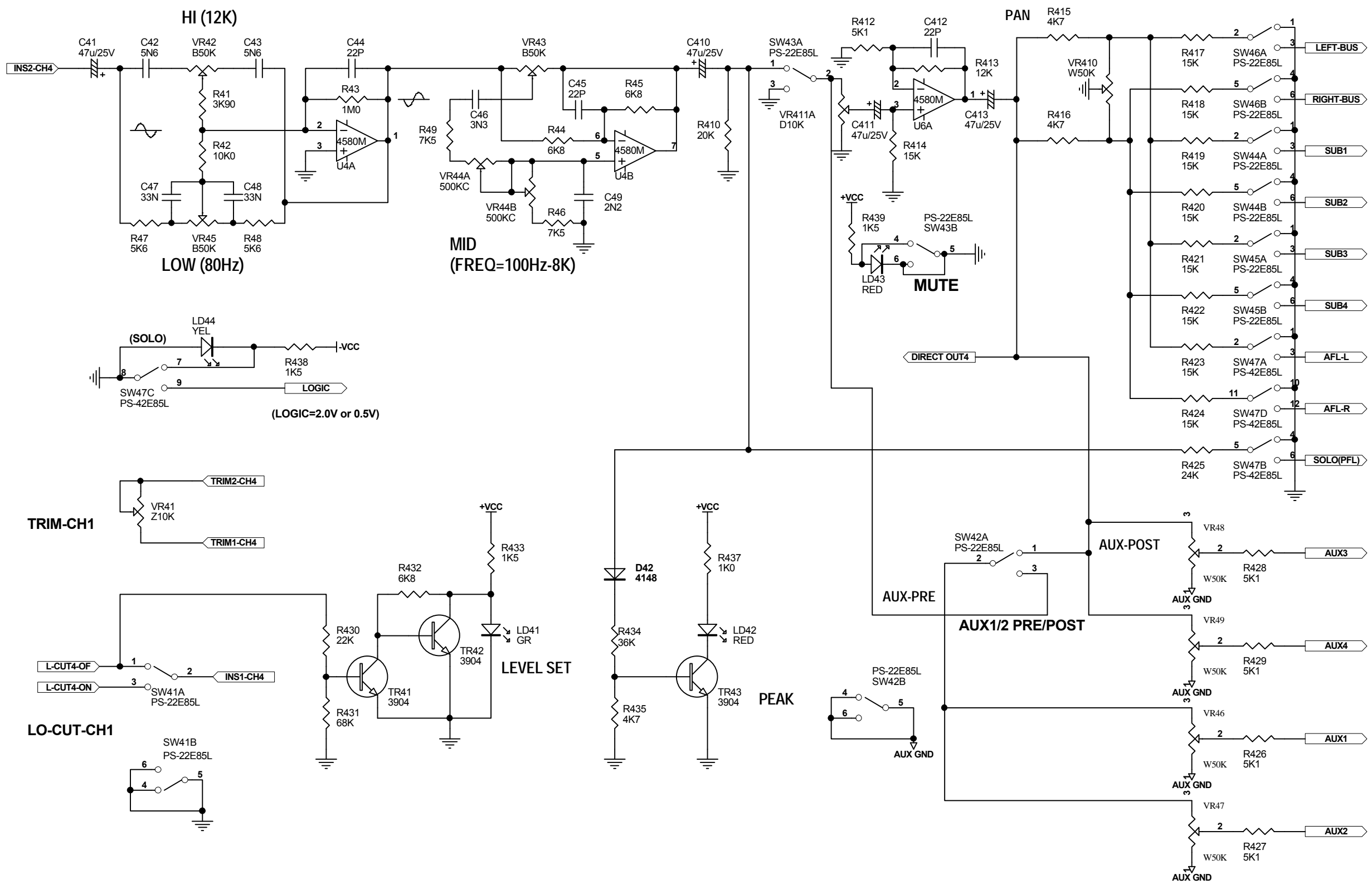
LYNX-MIX124 USB/UM_MONO(3/6)



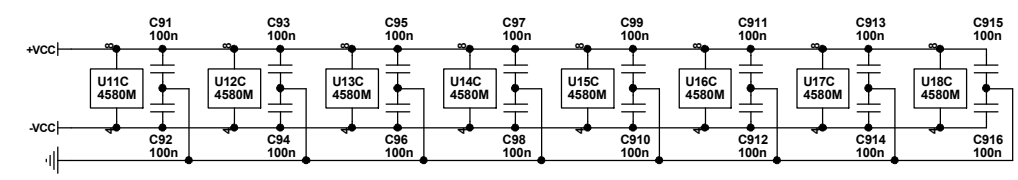
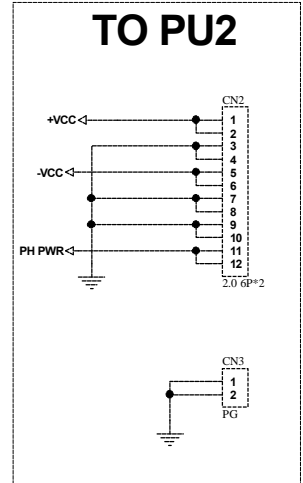
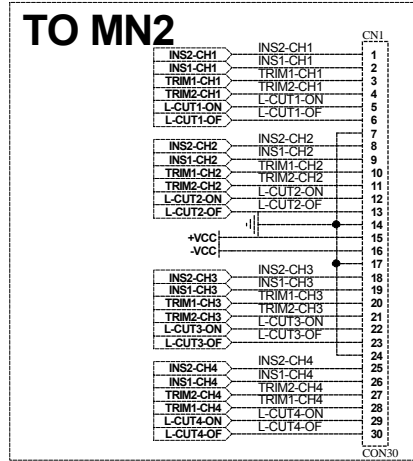
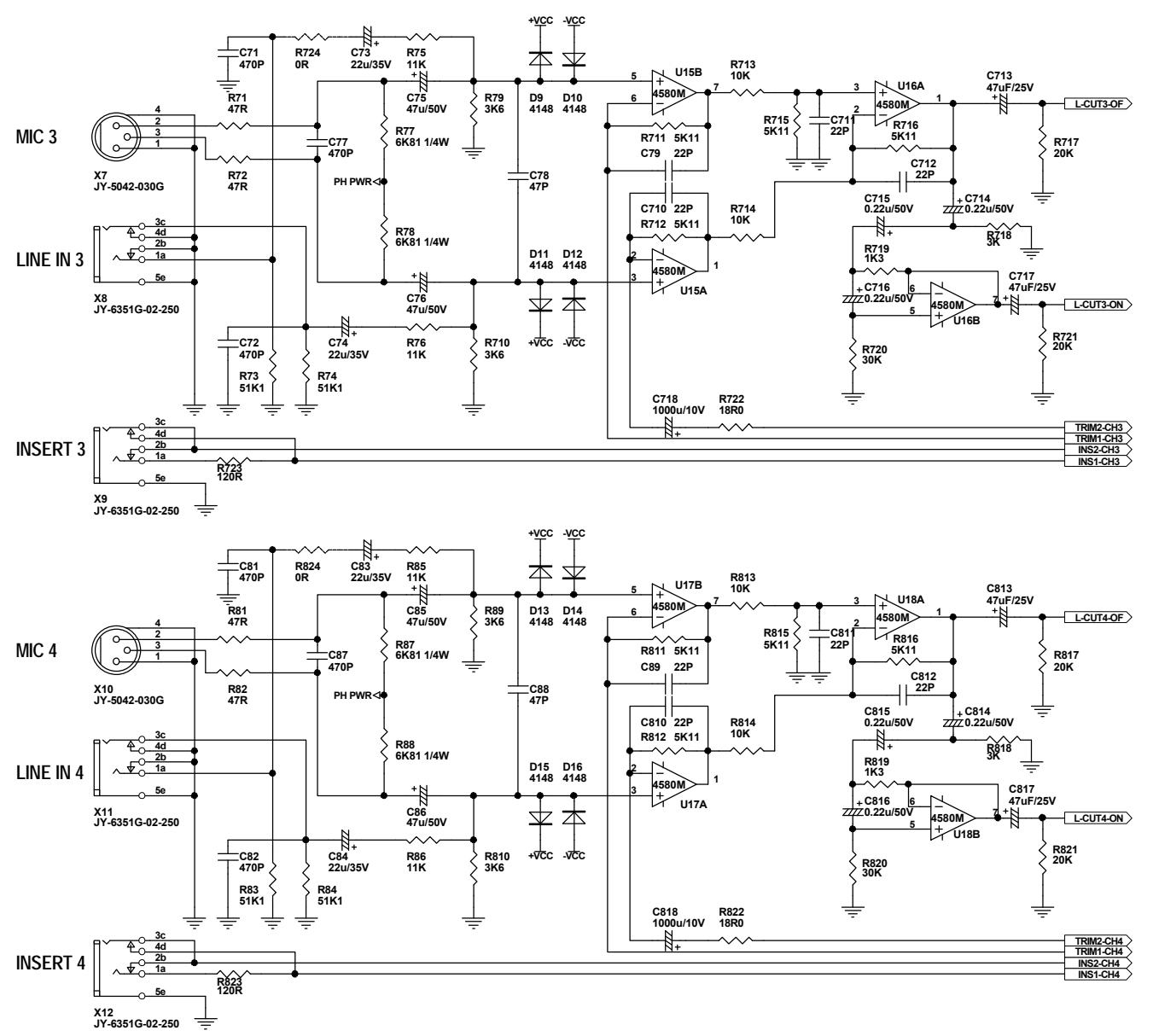
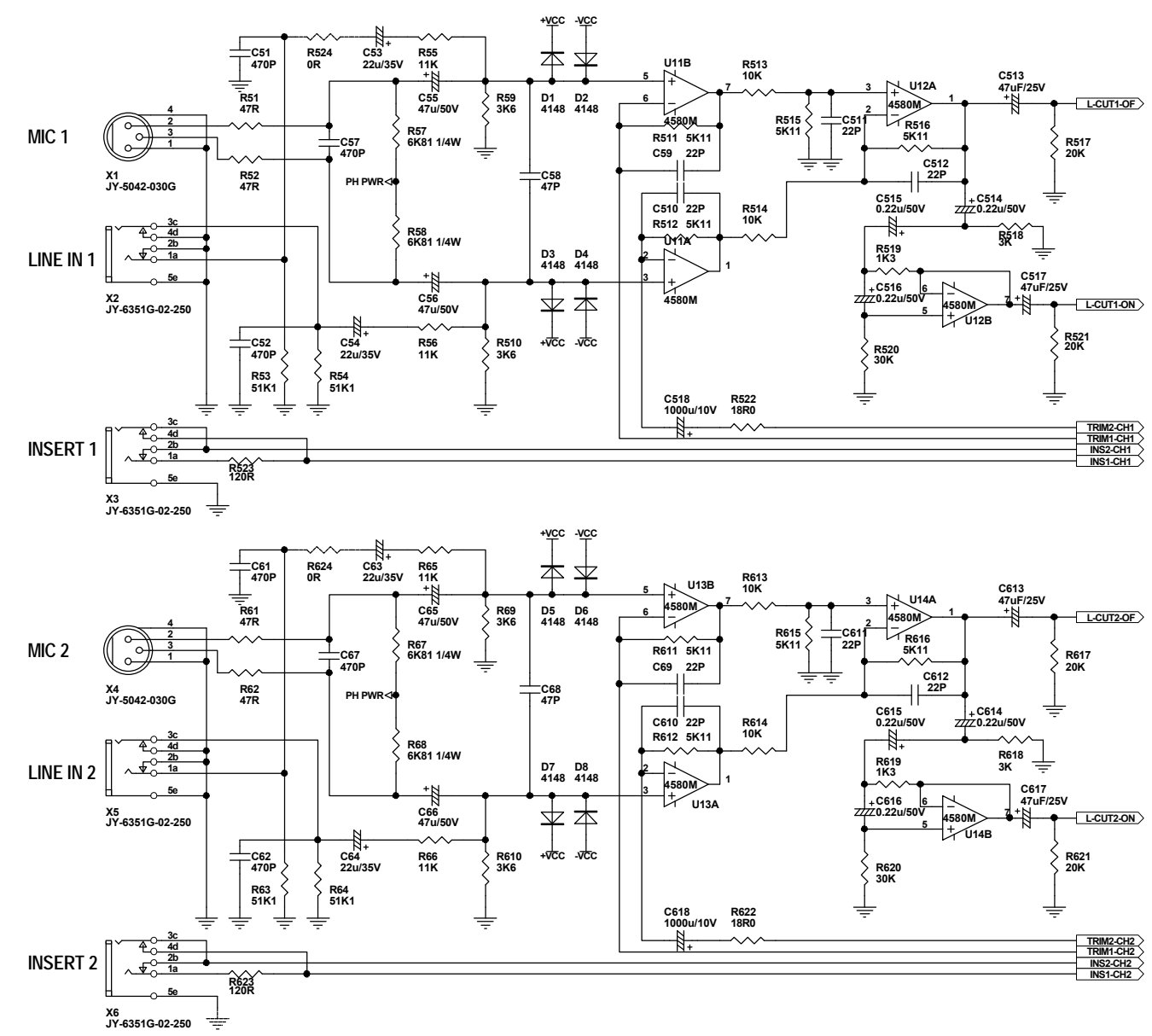
LYNX-MIX124 USB/UM_MONO(4/6)



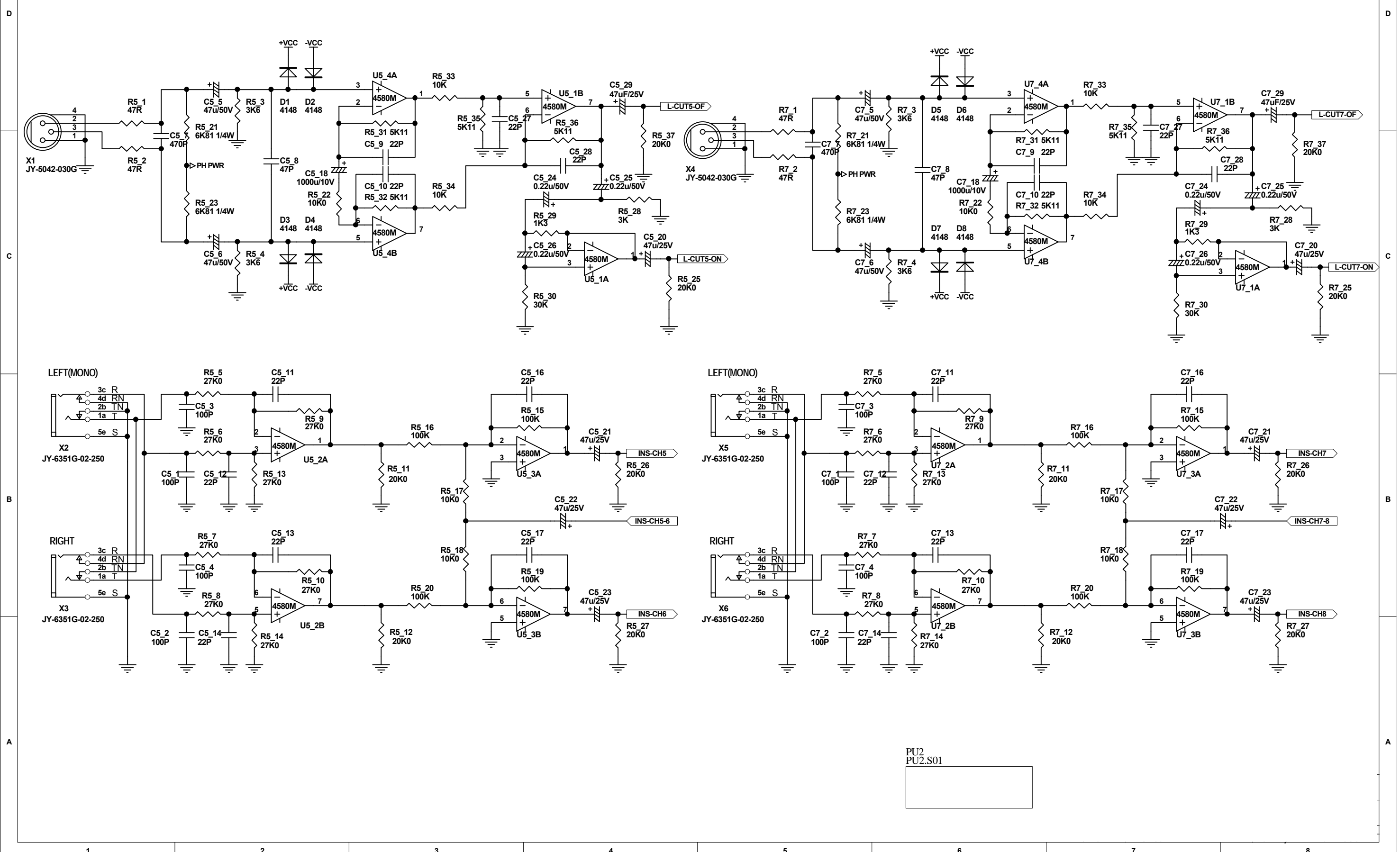
LYNX-MIX124 USB/UM_MONO(5/6)



LYNX-MIX124 USB/UM_MONO(6/6)

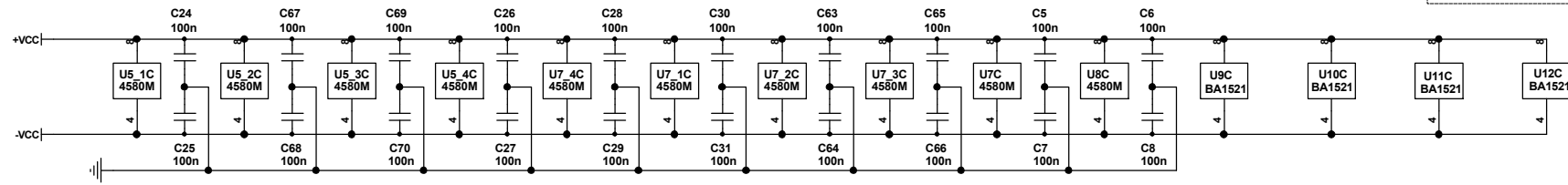
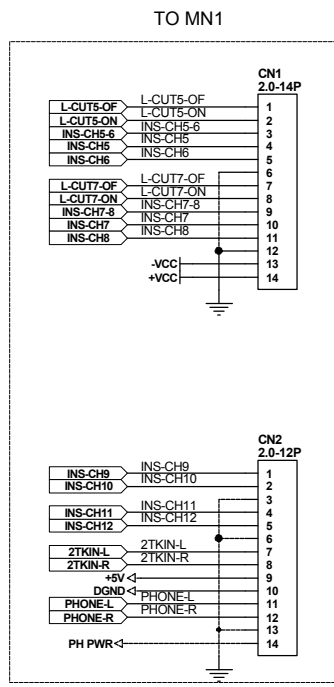
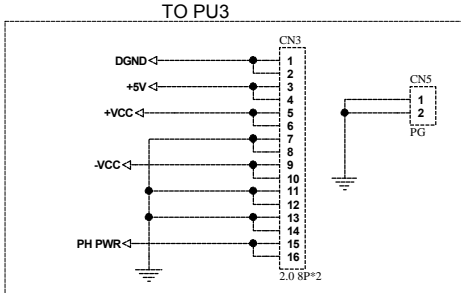
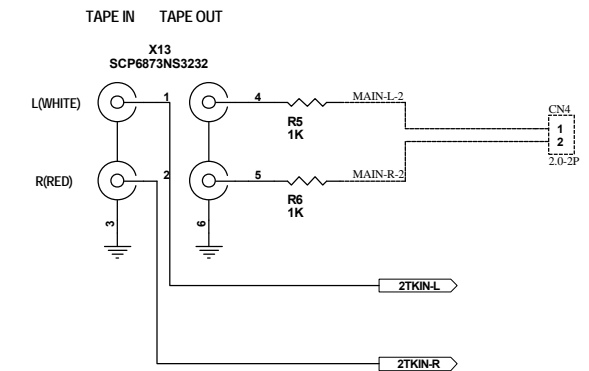
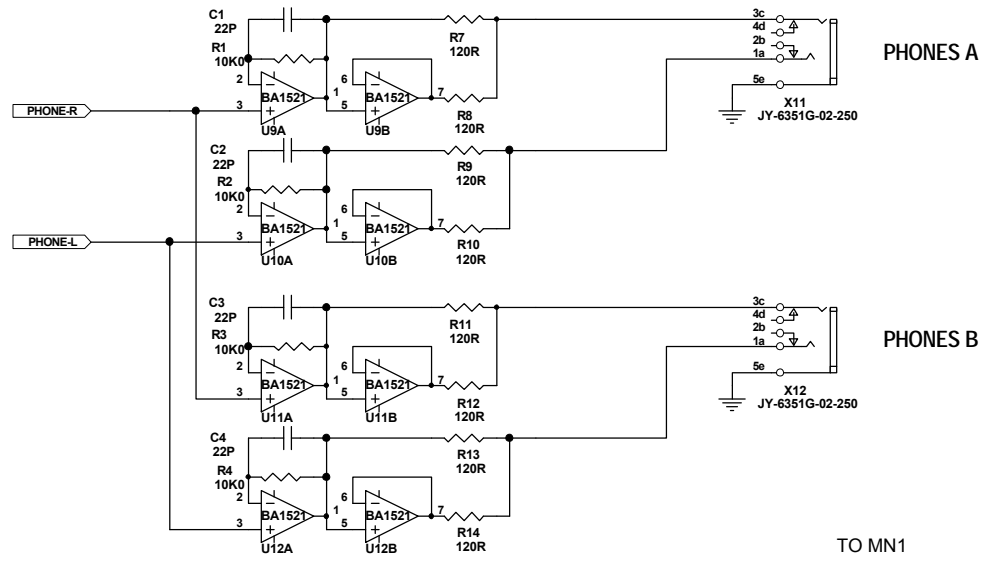
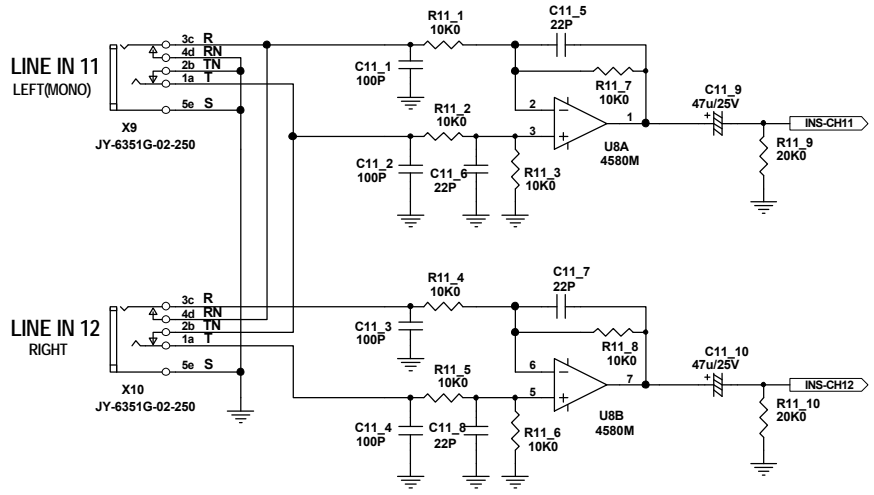
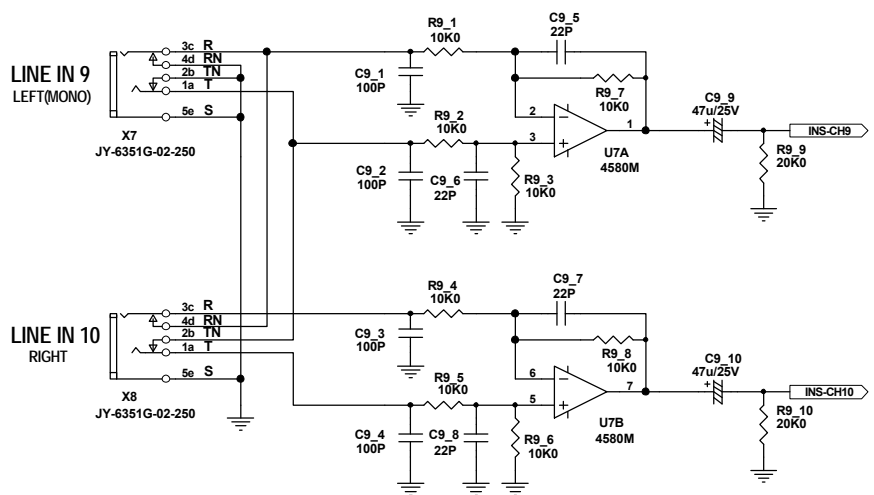


LYNX-MIX124 USB/UM_PU2(1/2)

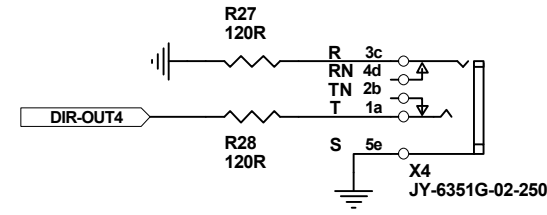
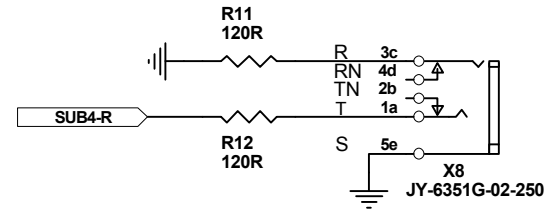
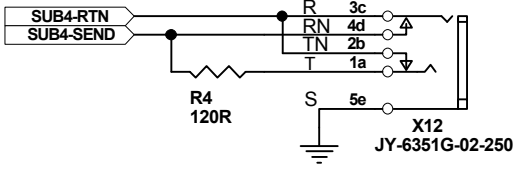
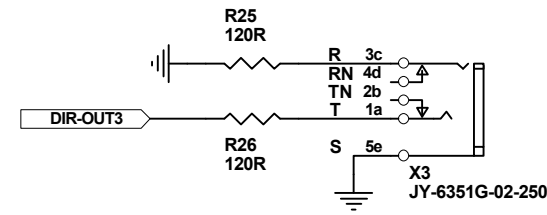
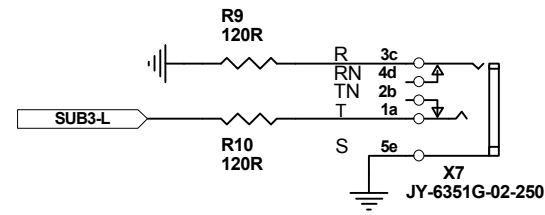
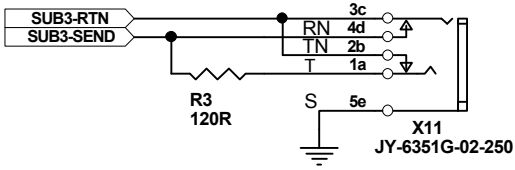
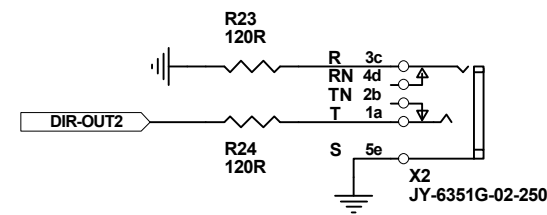
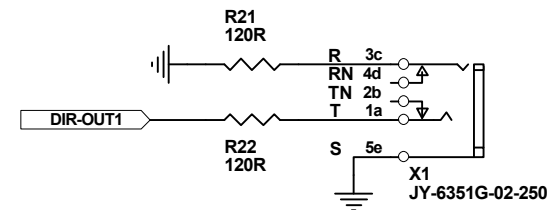
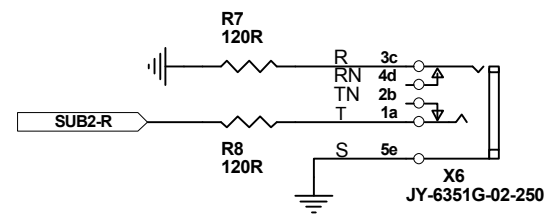
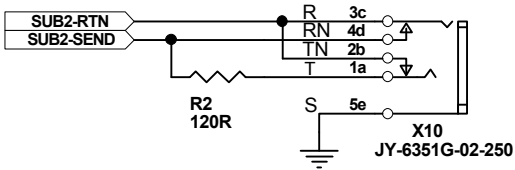
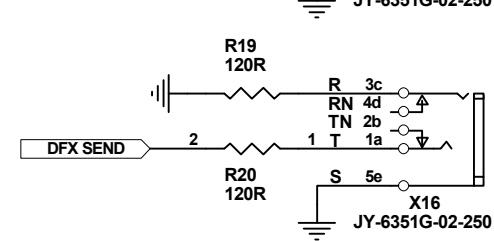
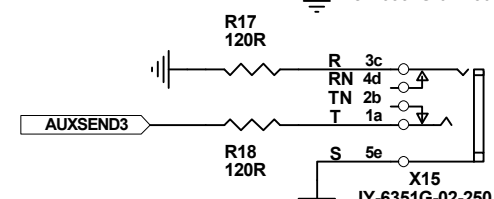
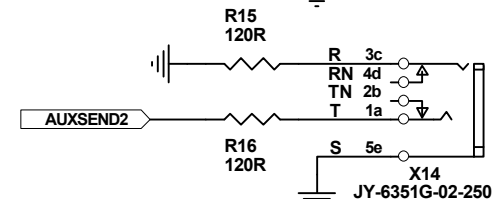
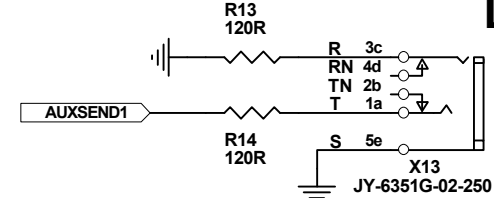
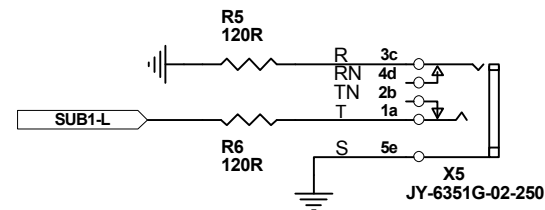
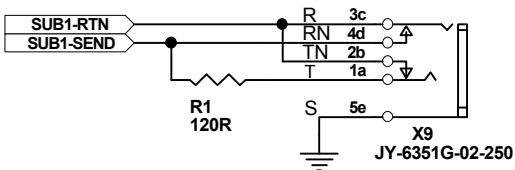
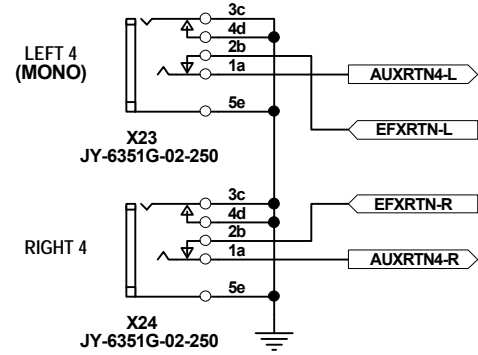
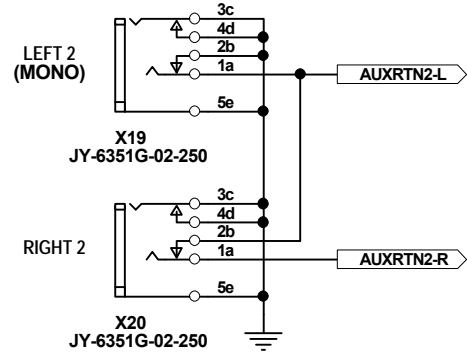
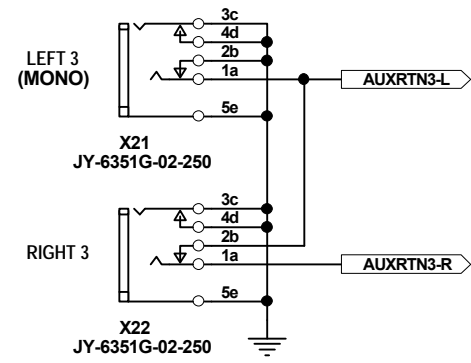
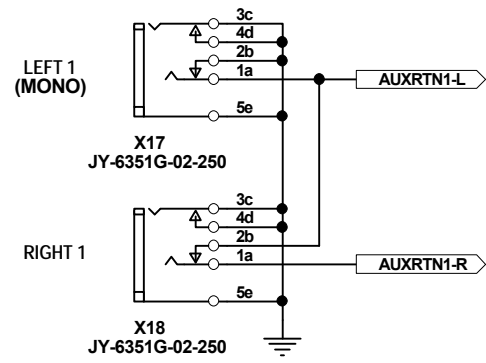


PU2
PU2.S01

LYNX-MIX124 USB/UM_PU2(2/2)

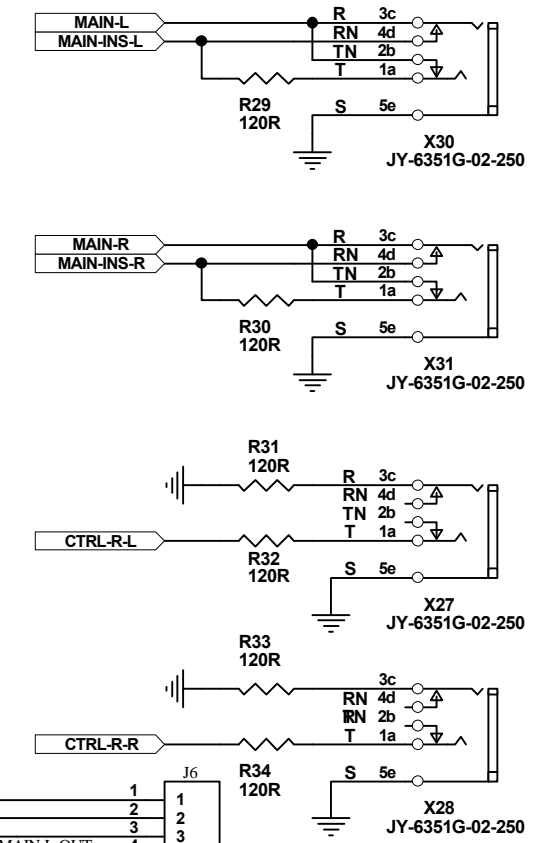
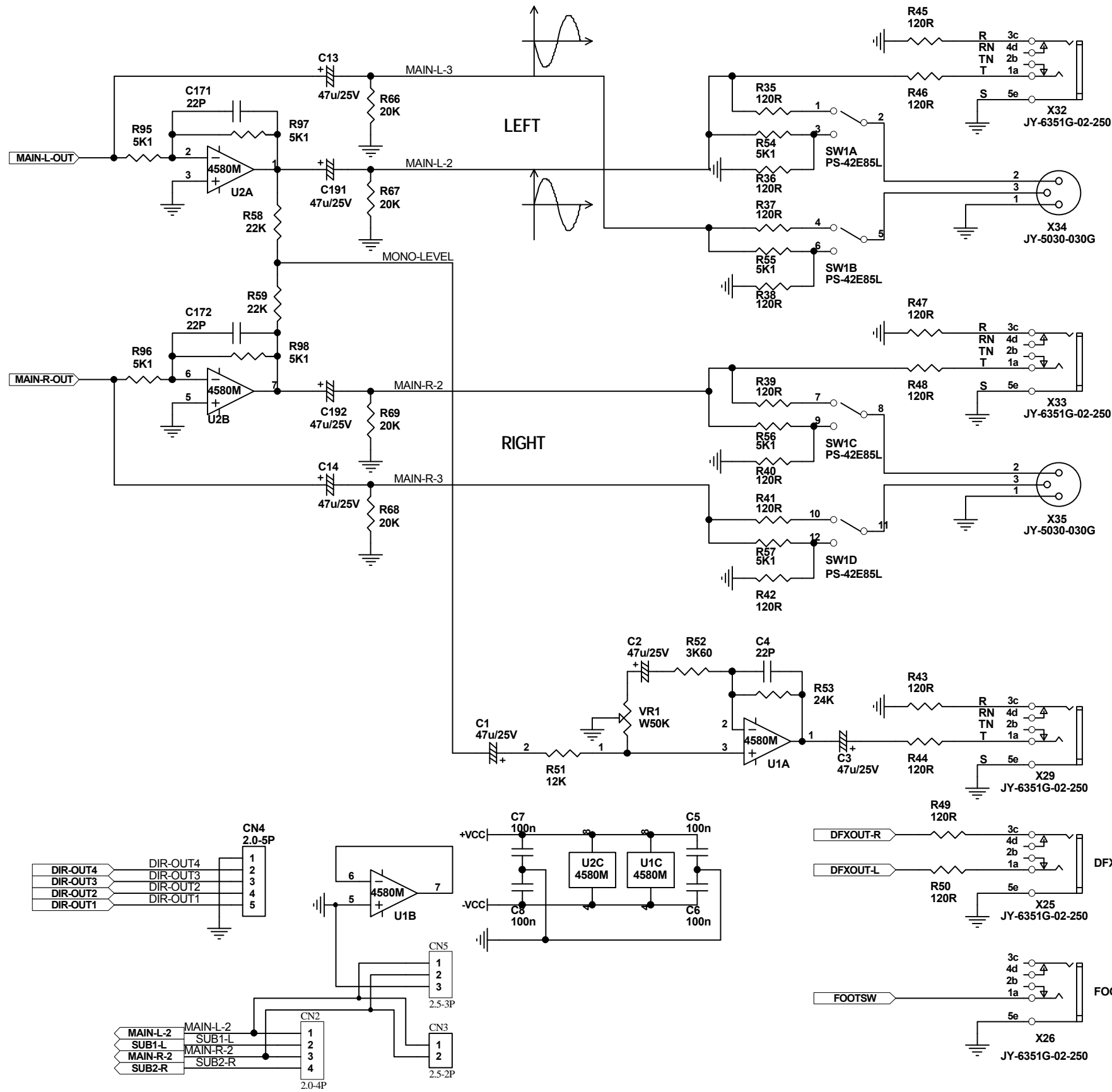


LYNX-MIX124 USB/UM_PU1(1/2)



PULSCH
PULS01

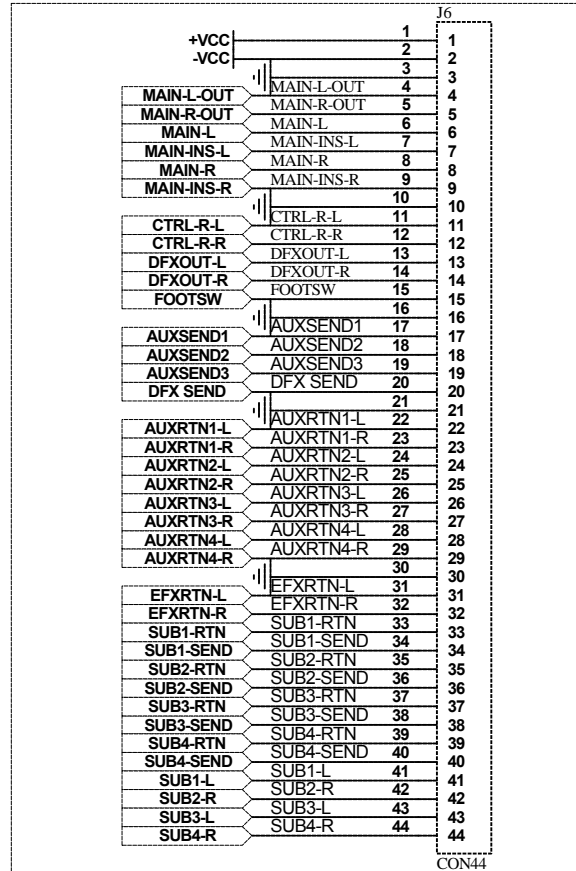
LYNX-MIX124 USB/UM_PU1(2/2)



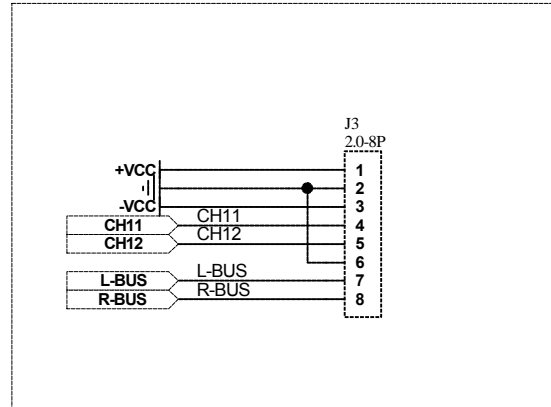
LYNX-MIX124 USB/UM_MN1(1/10)

TO PU1

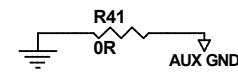
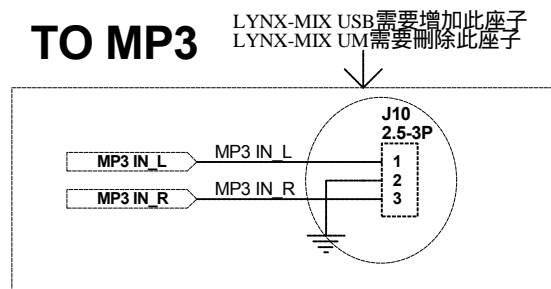
- MN1
CH05-06.SCH
- MN1
CH07-08.SCH
- MN1
CH09-10.SCH
- MN1
CH11-12.SCH
- MN1
MAIN-SUB.SCH
- MN1
AUX SEND.SCH
- MN1
AUX RTN.SCH
- MN1
CTRL-ROOM.SCH
- MN1
DSP.SCH



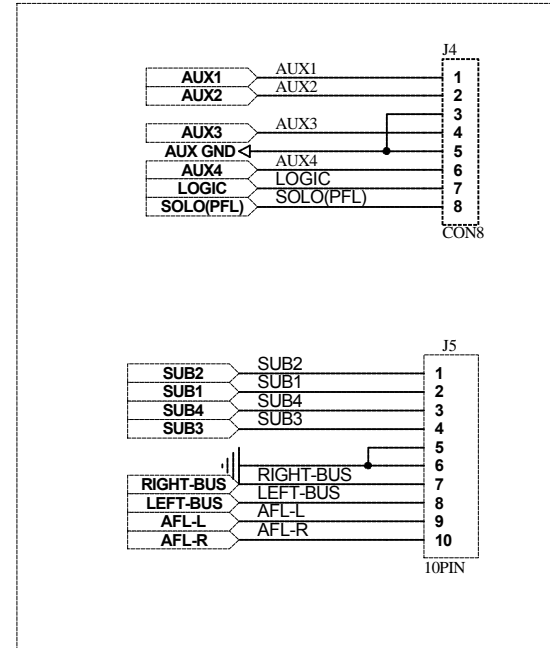
TO USBMOD



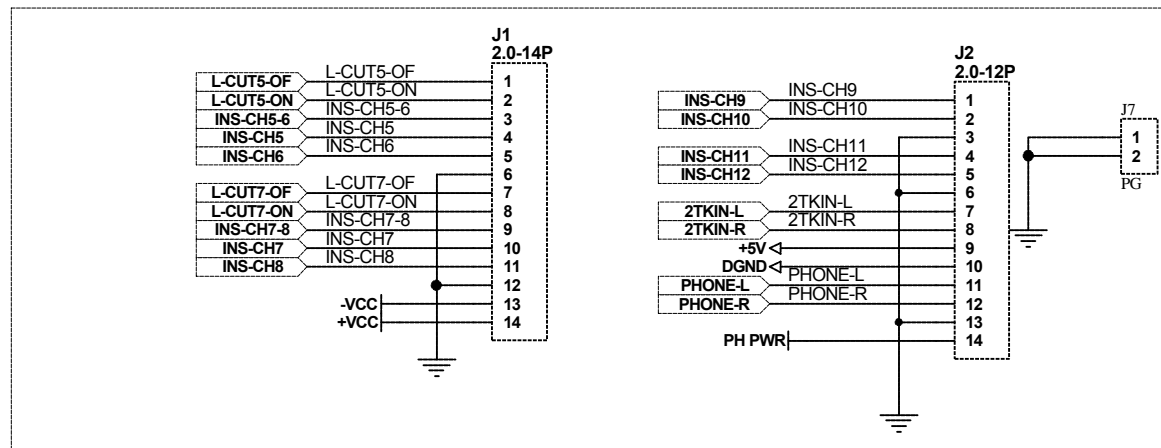
TO MP3



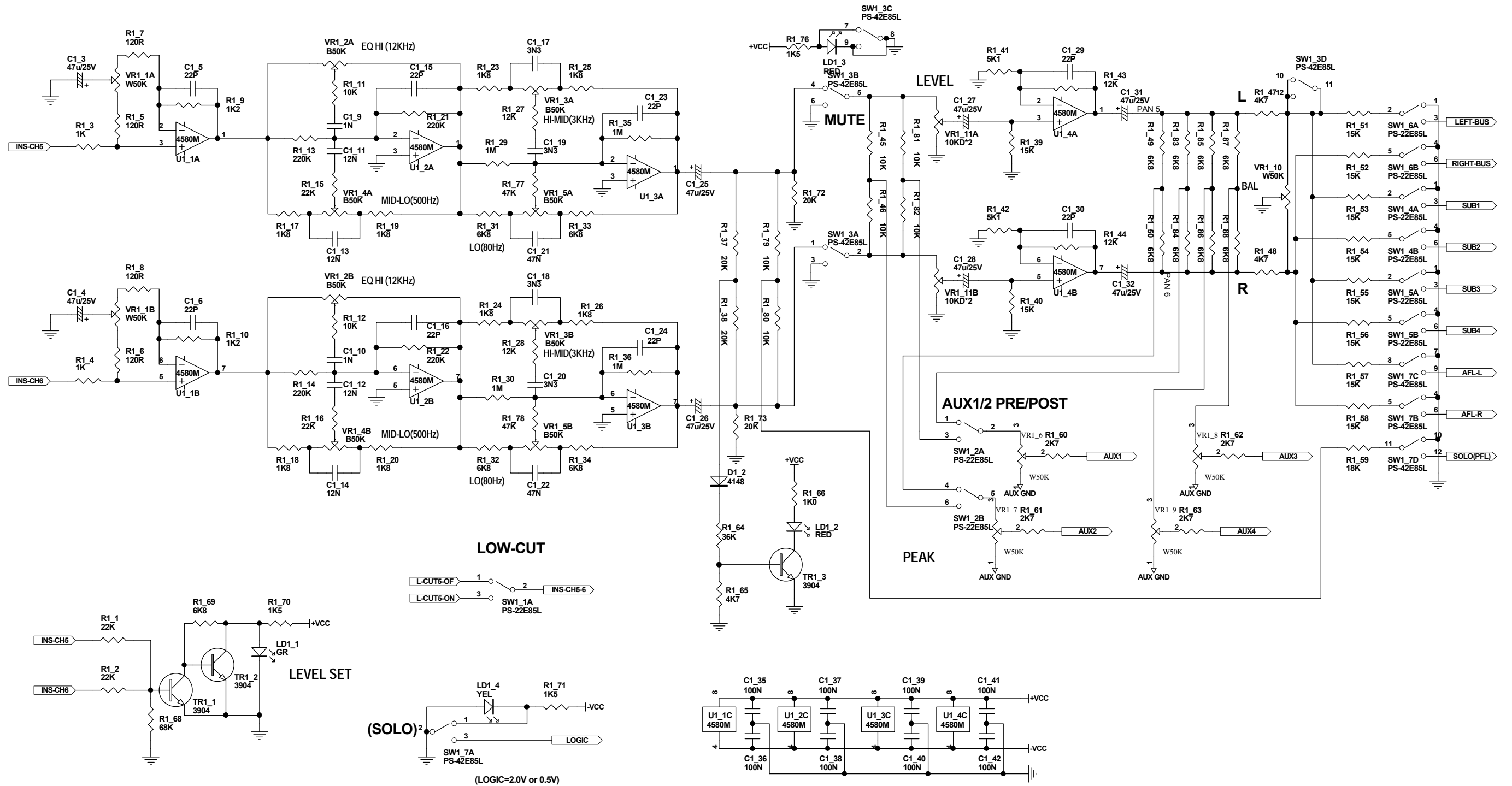
TO MN2



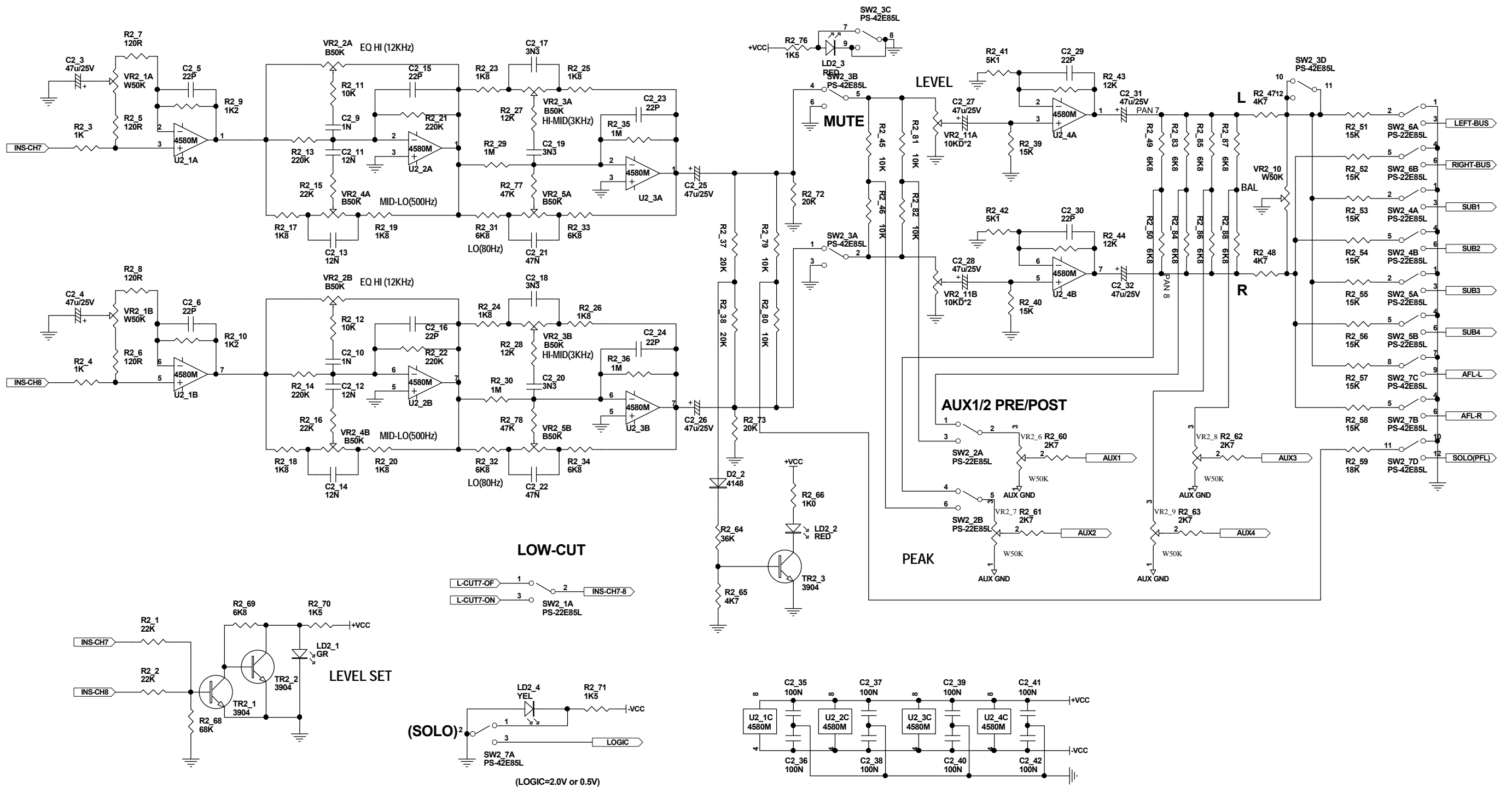
TO PU2



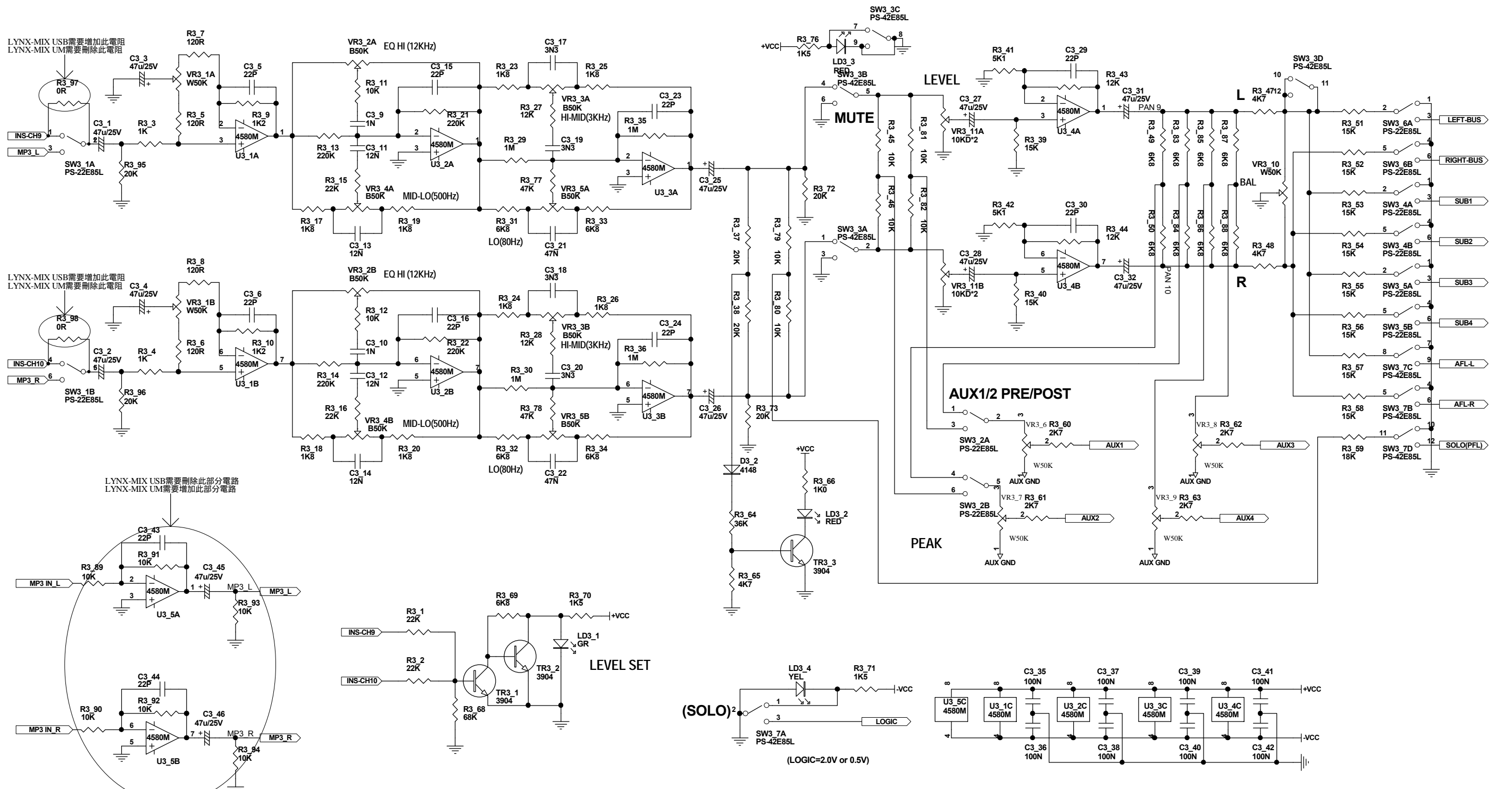
LYNX-MIX124 USB/UM_MN1(2/10)



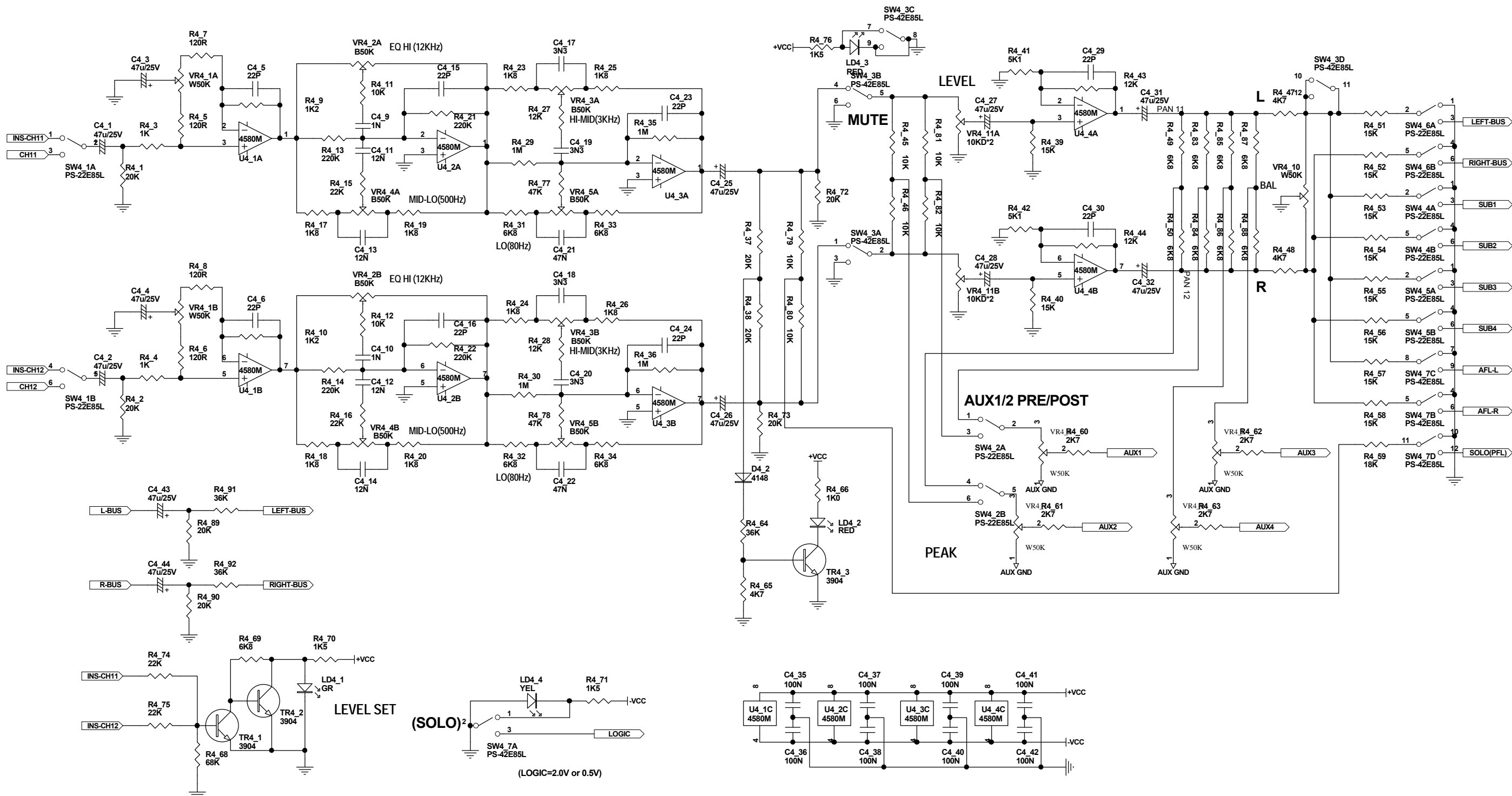
LYNX-MIX124 USB/UM_MN1(3/10)



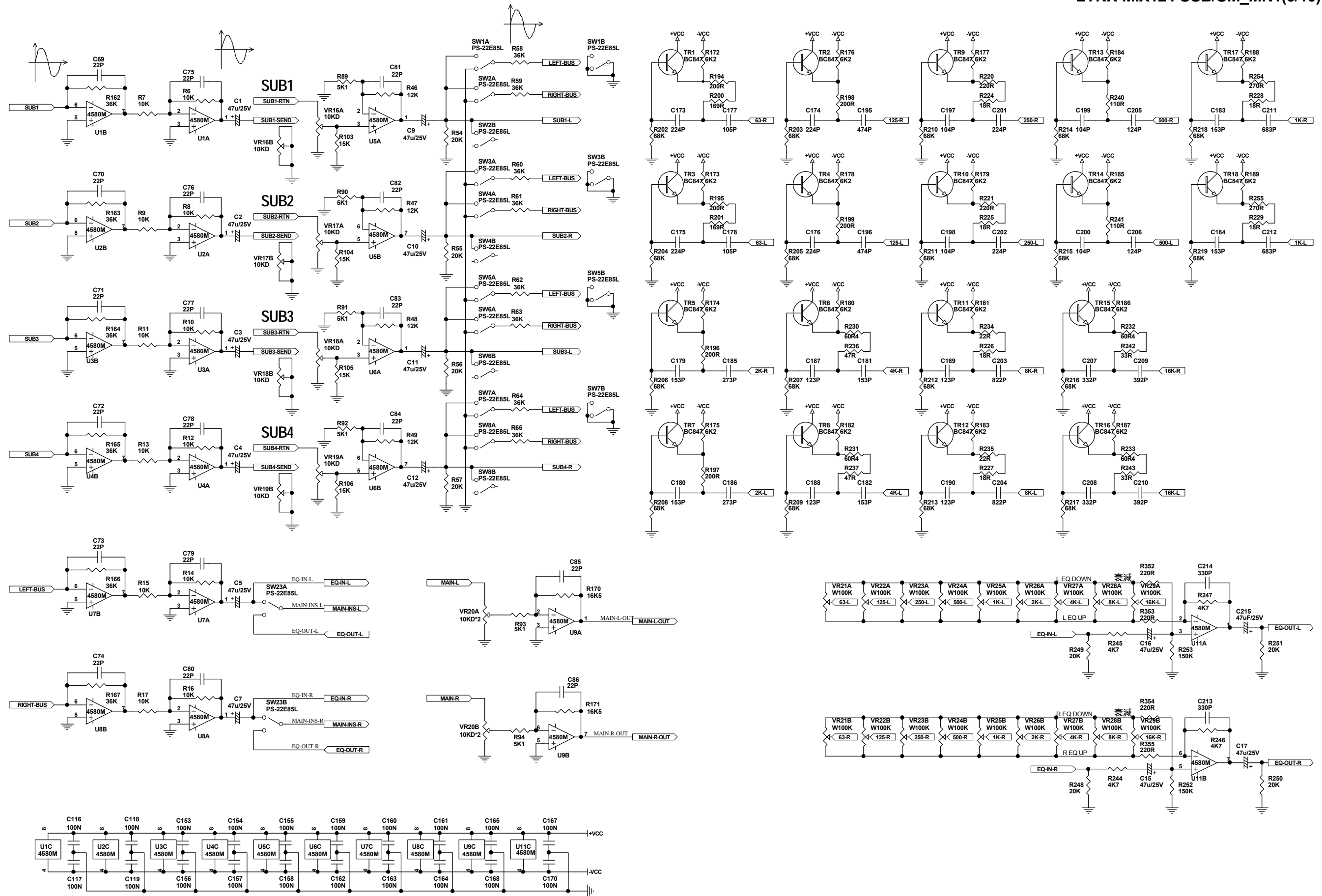
LYNX-MIX124 USB/UM_MN1(4/10)



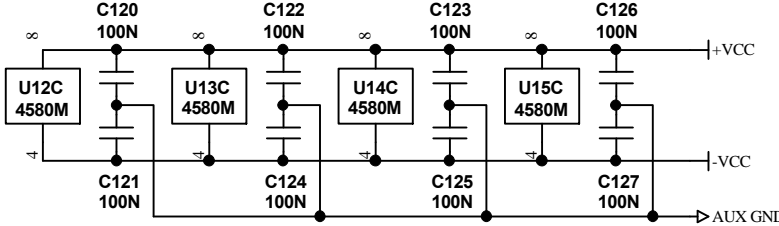
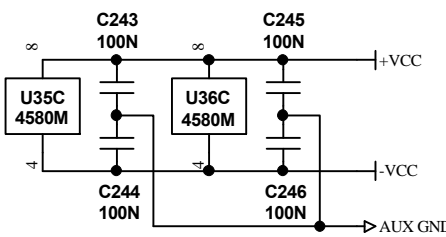
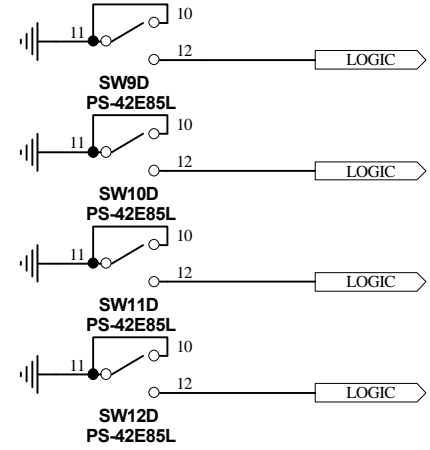
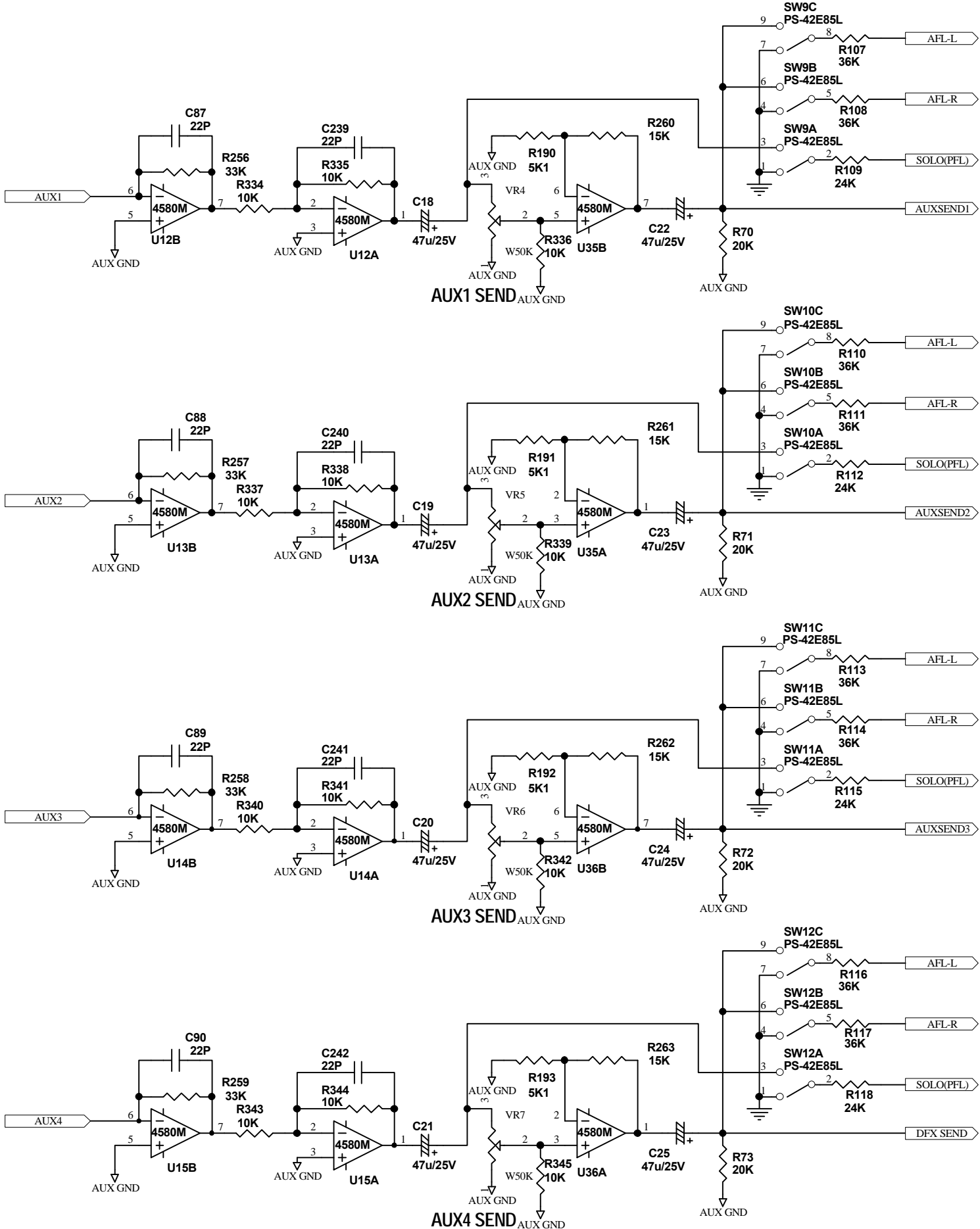
LYNX-MIX124 USB/UM_MN1(5/10)



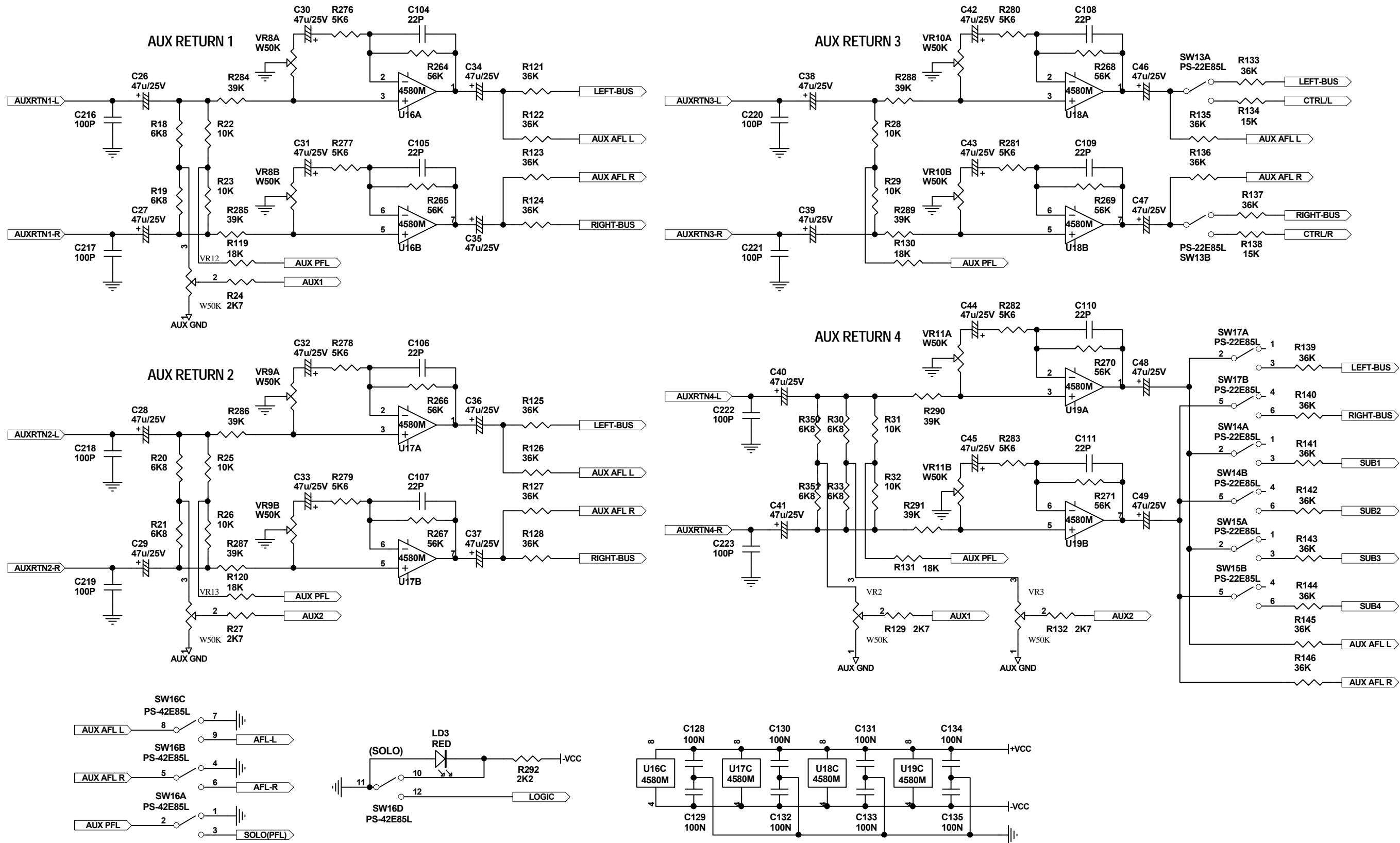
LYNX-MIX124 USB/UM_MN1(6/10)



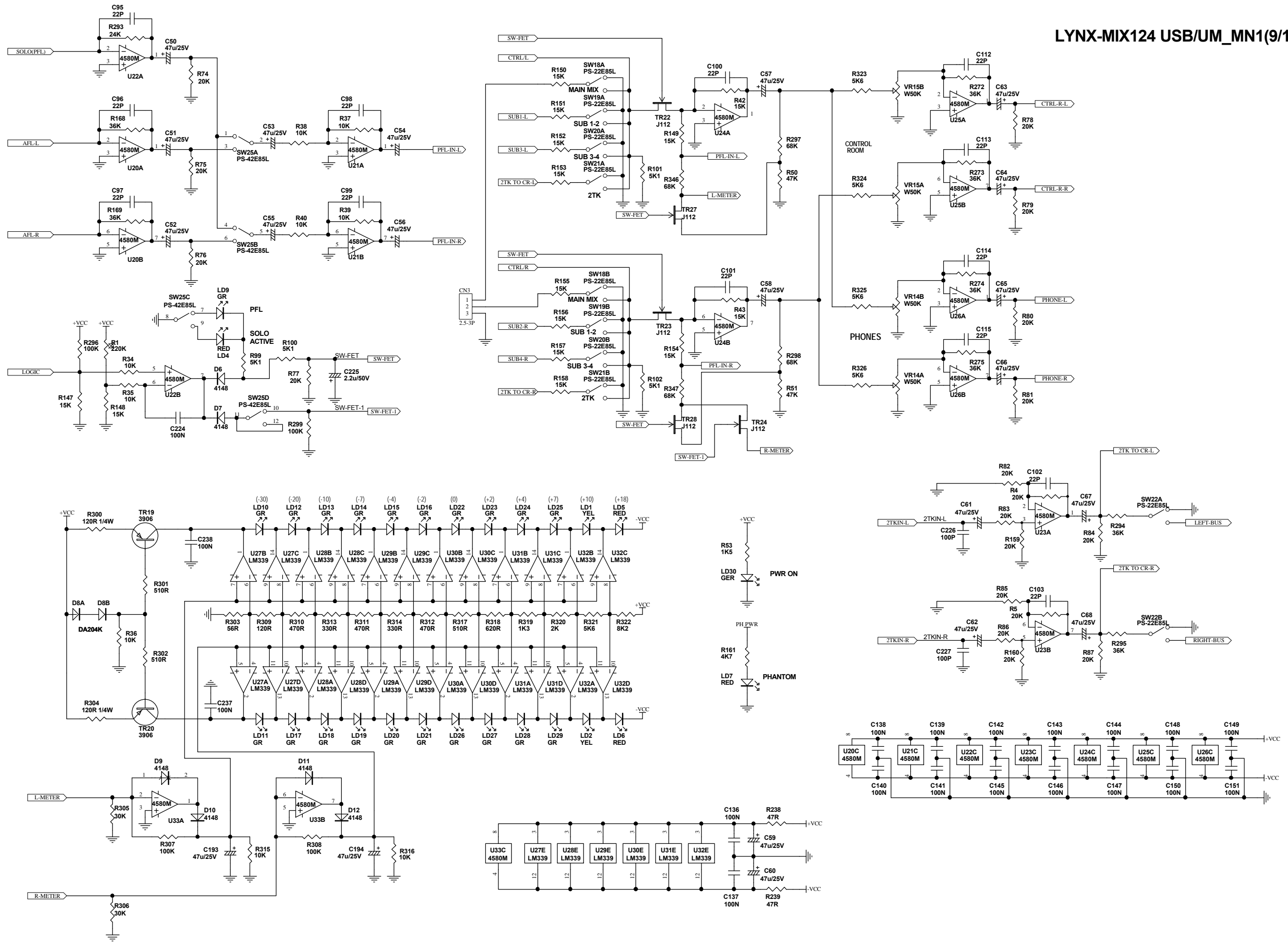
LYNX-MIX124 USB/UM_MN1(7/10)



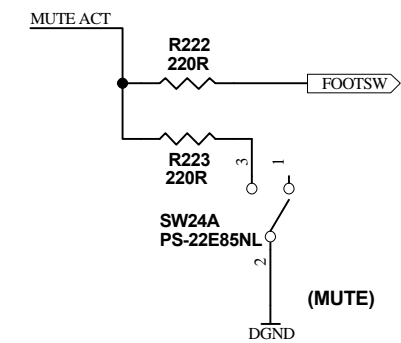
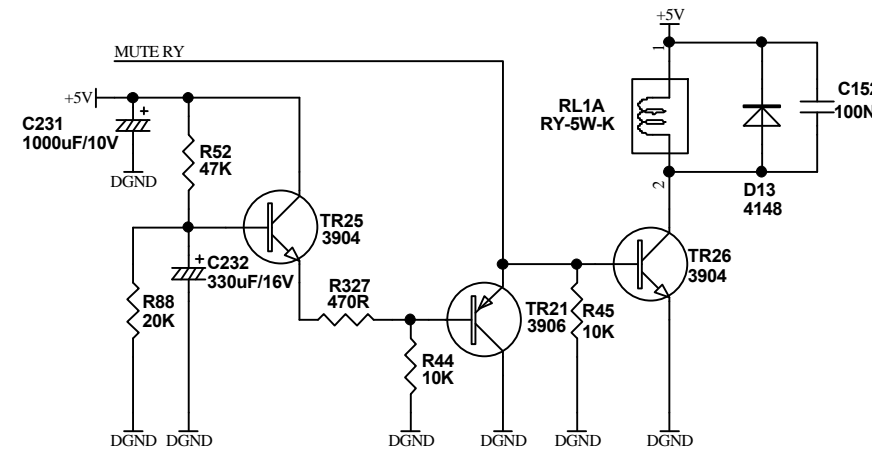
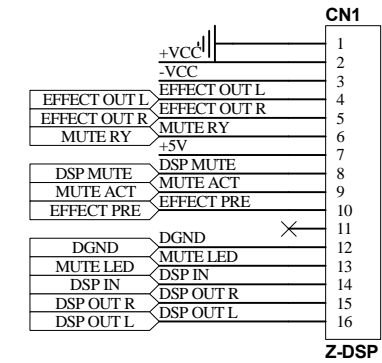
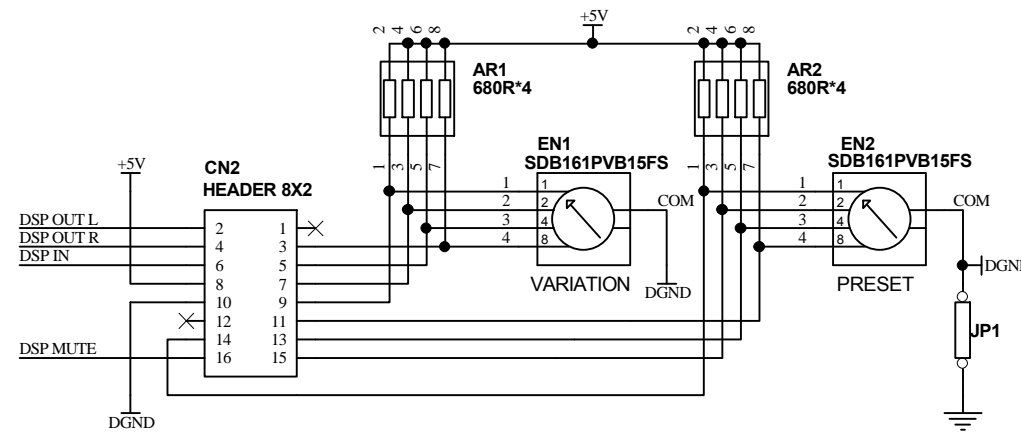
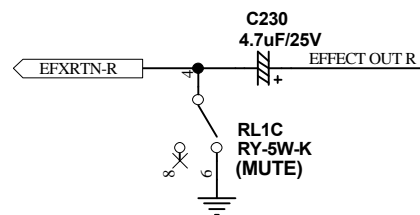
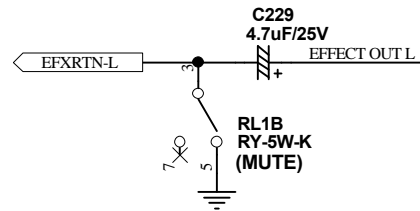
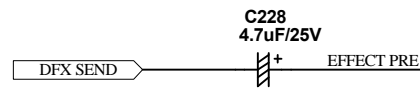
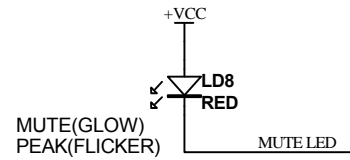
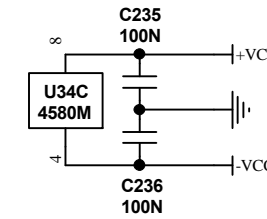
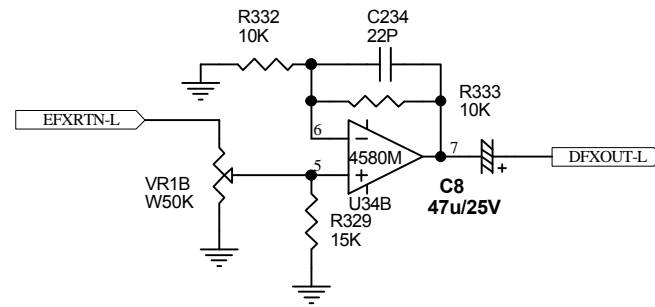
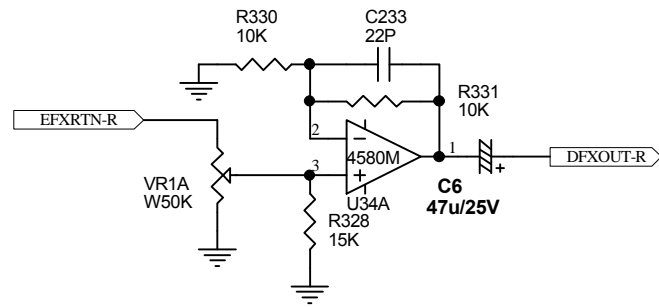
LYNX-MIX124 USB/UM_MN1(8/10)

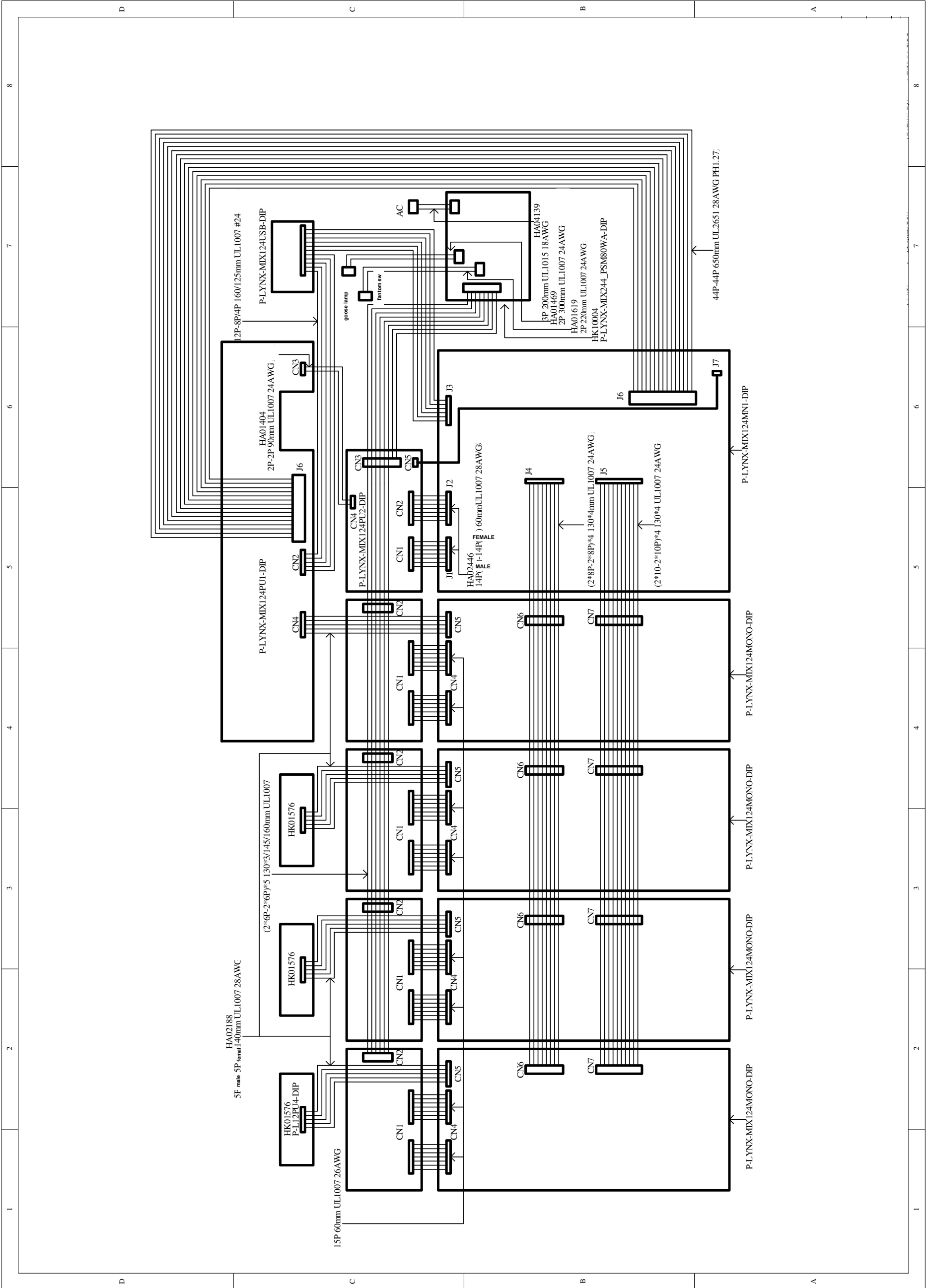


LYNX-MIX124 USB/UM_MN1(9/10)

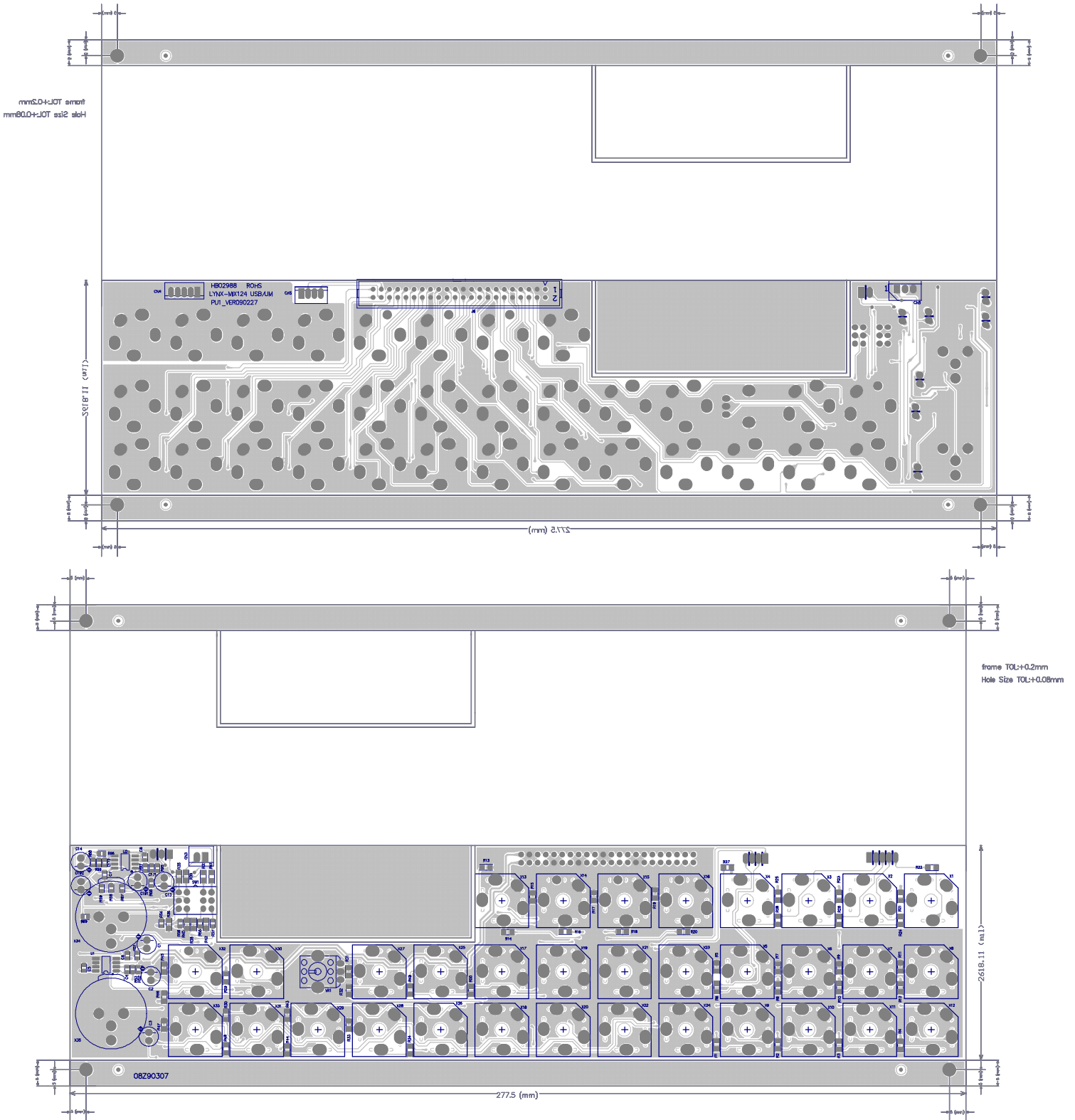


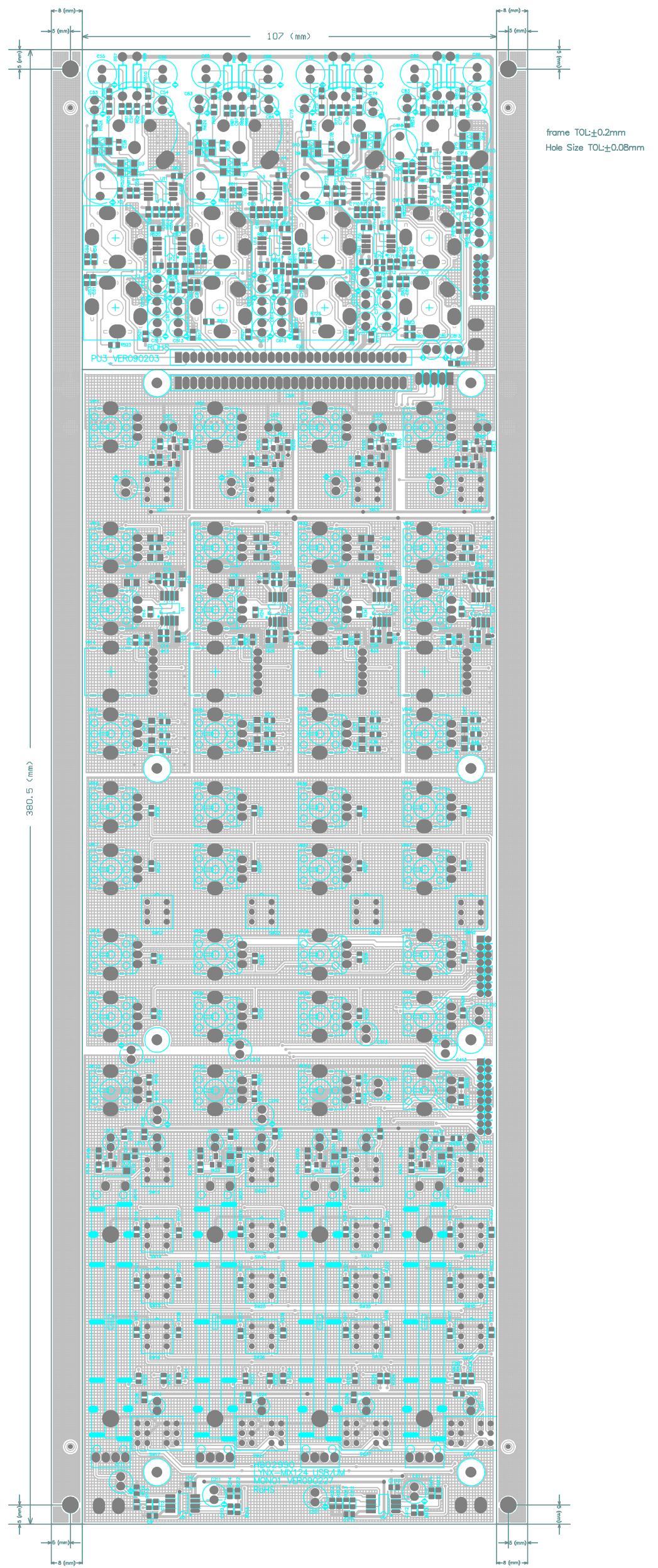
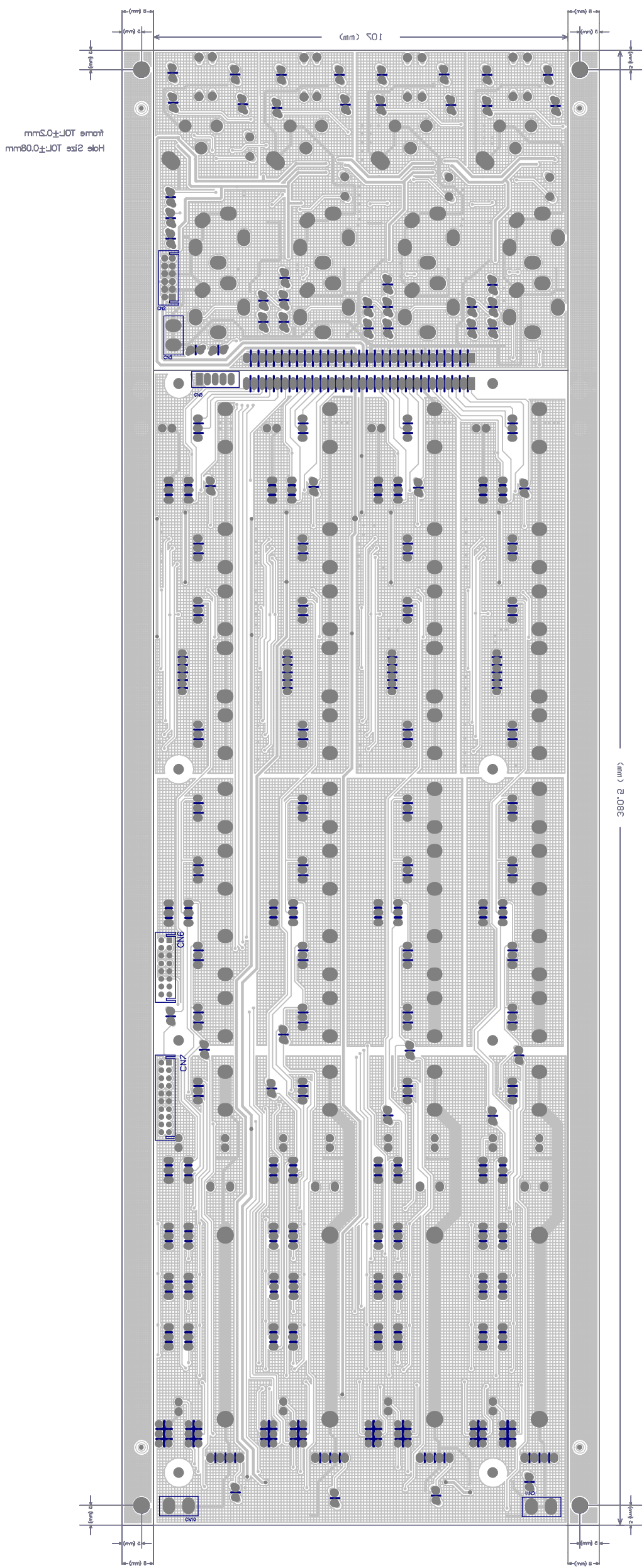
LYNX-MIX124 USB/UM_MN1(10/10)

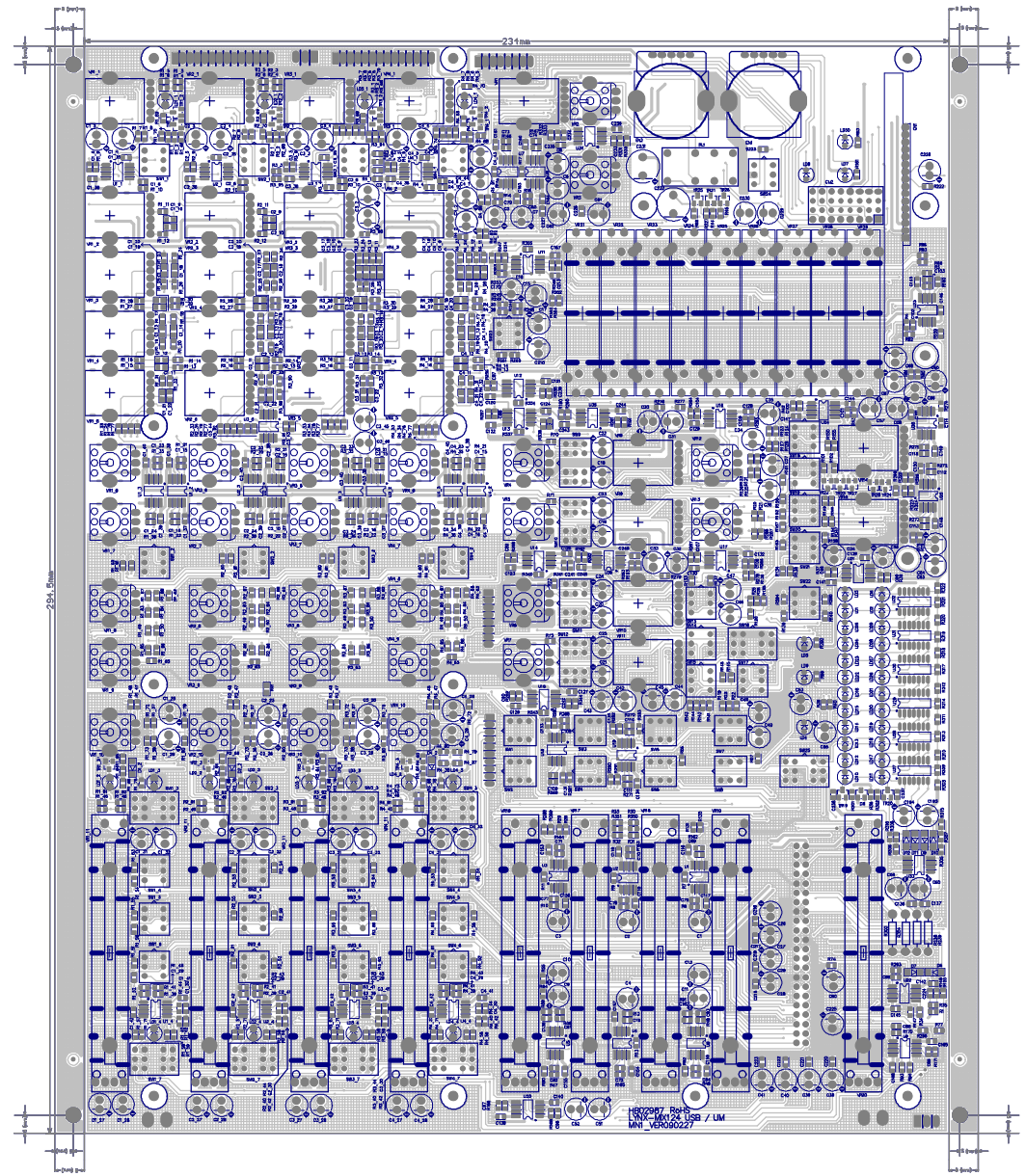
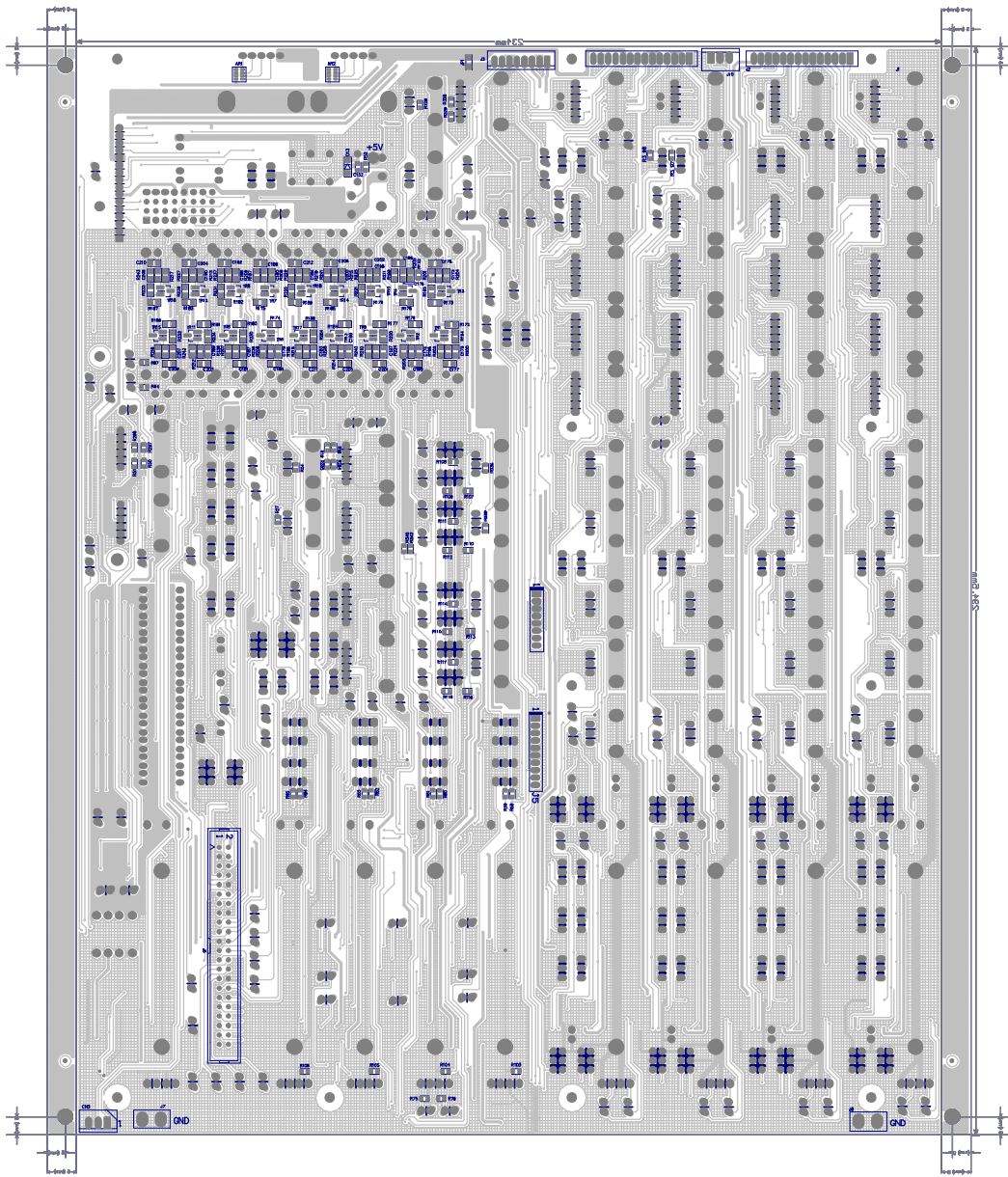




4 PCB LAYOUT

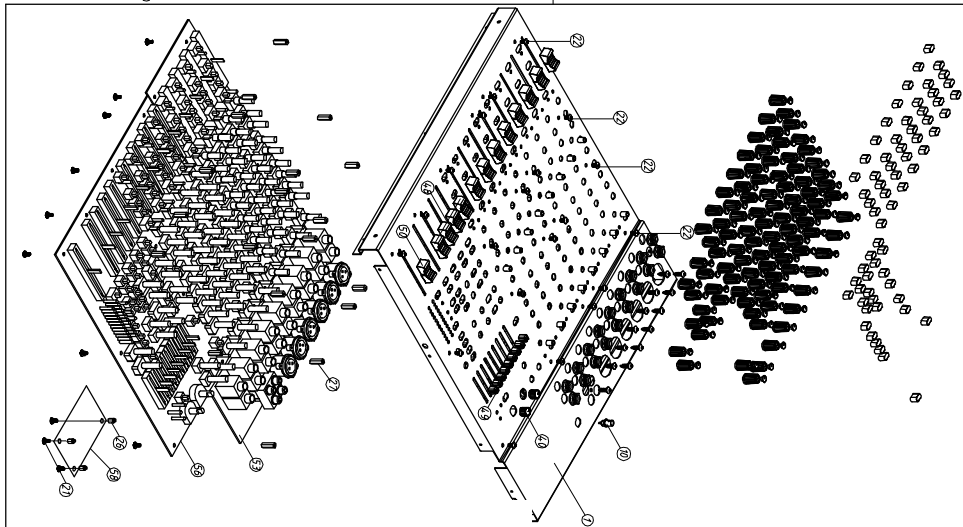
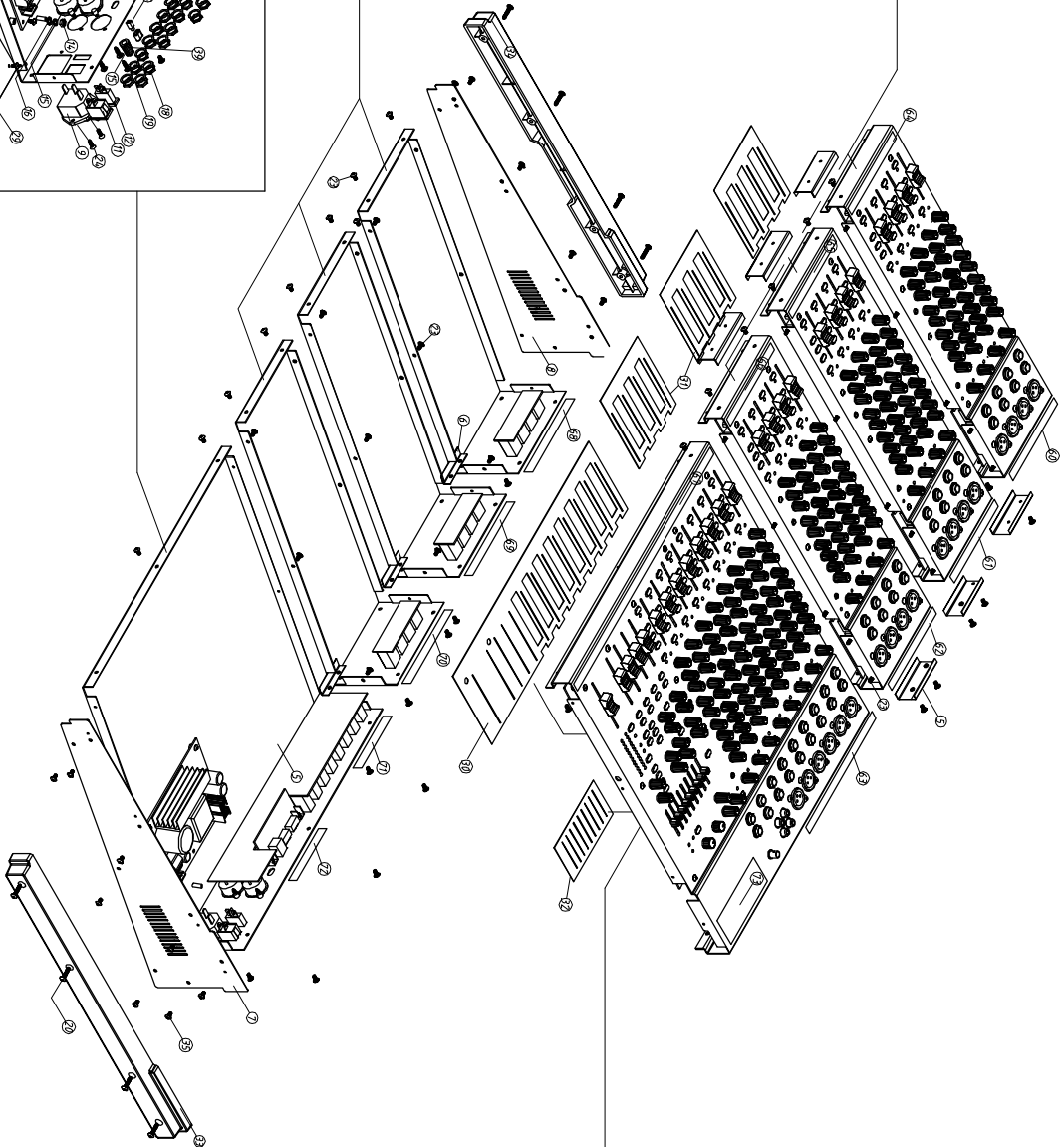
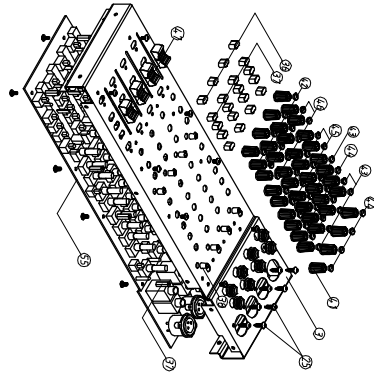
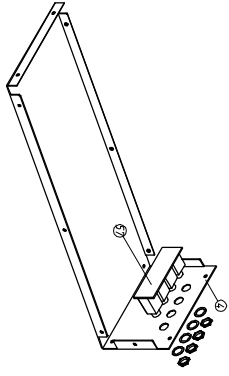
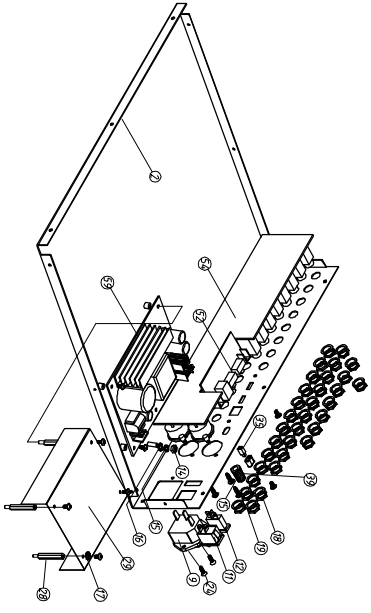


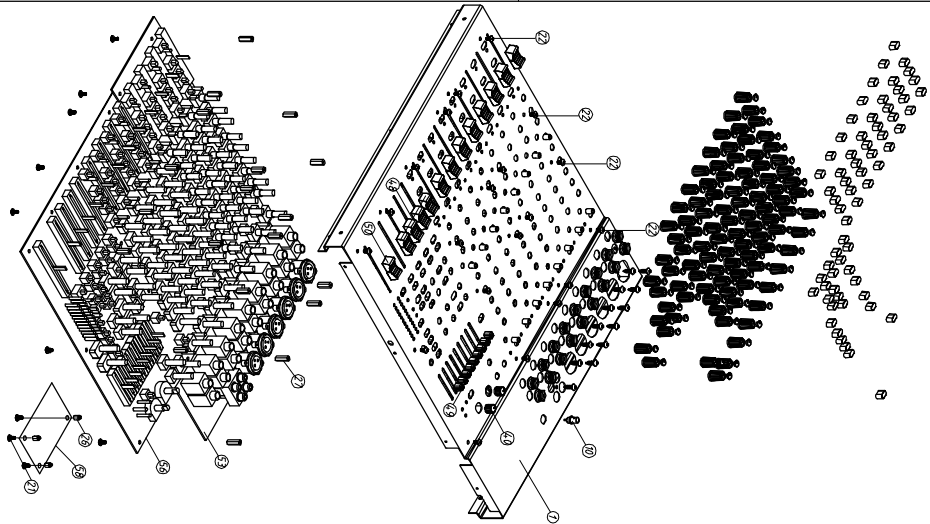
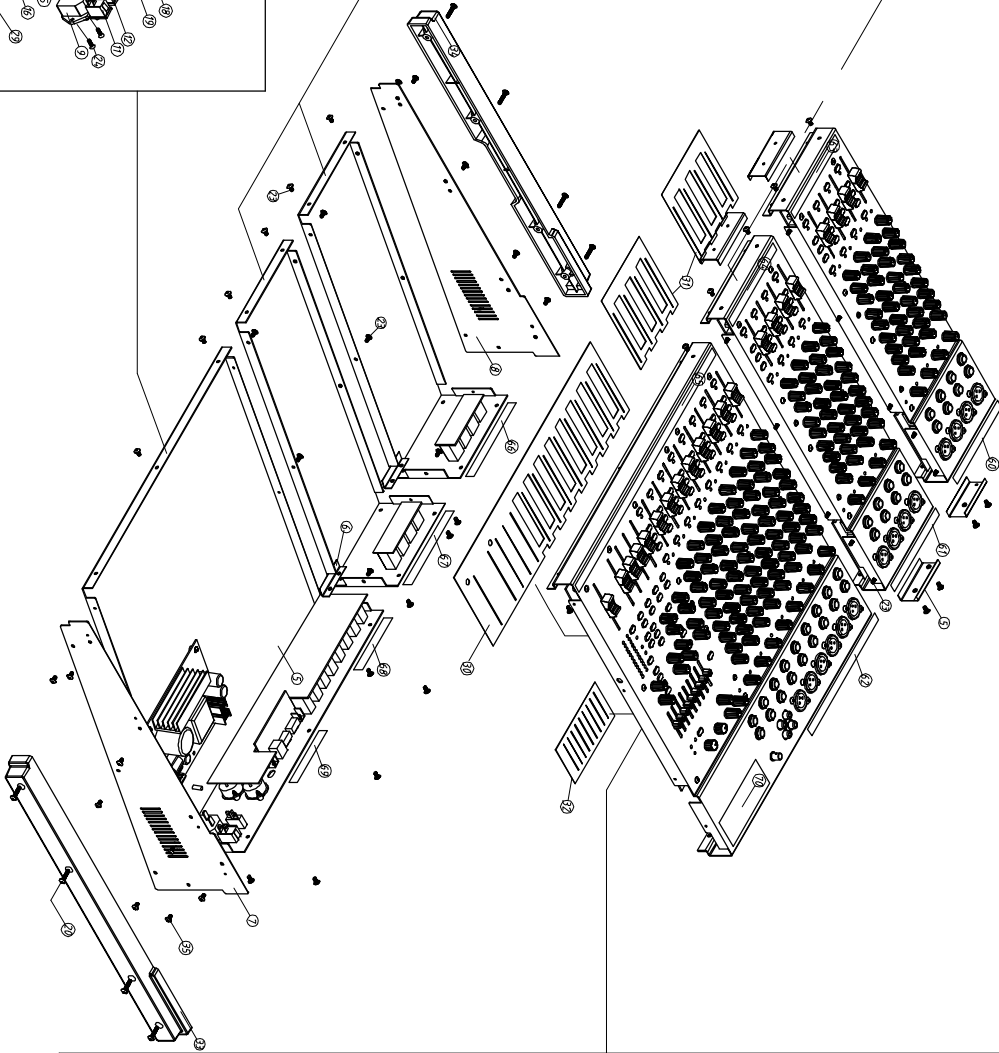
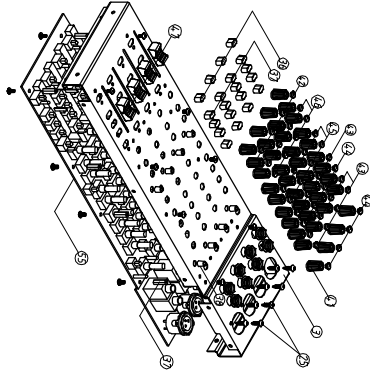
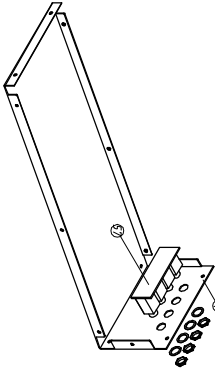
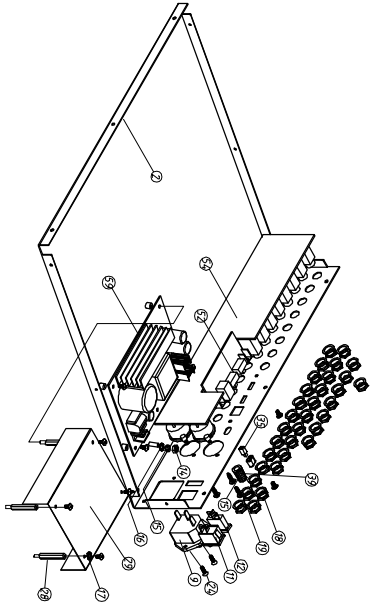


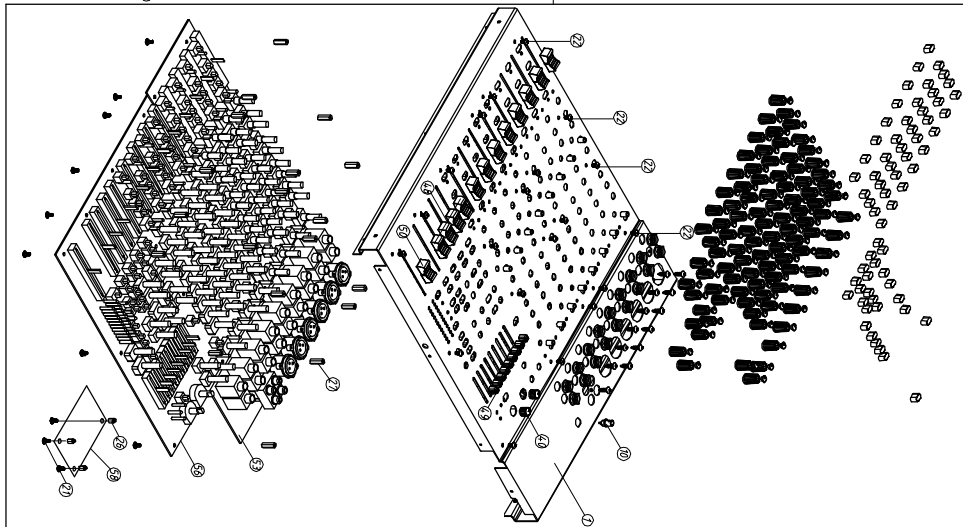
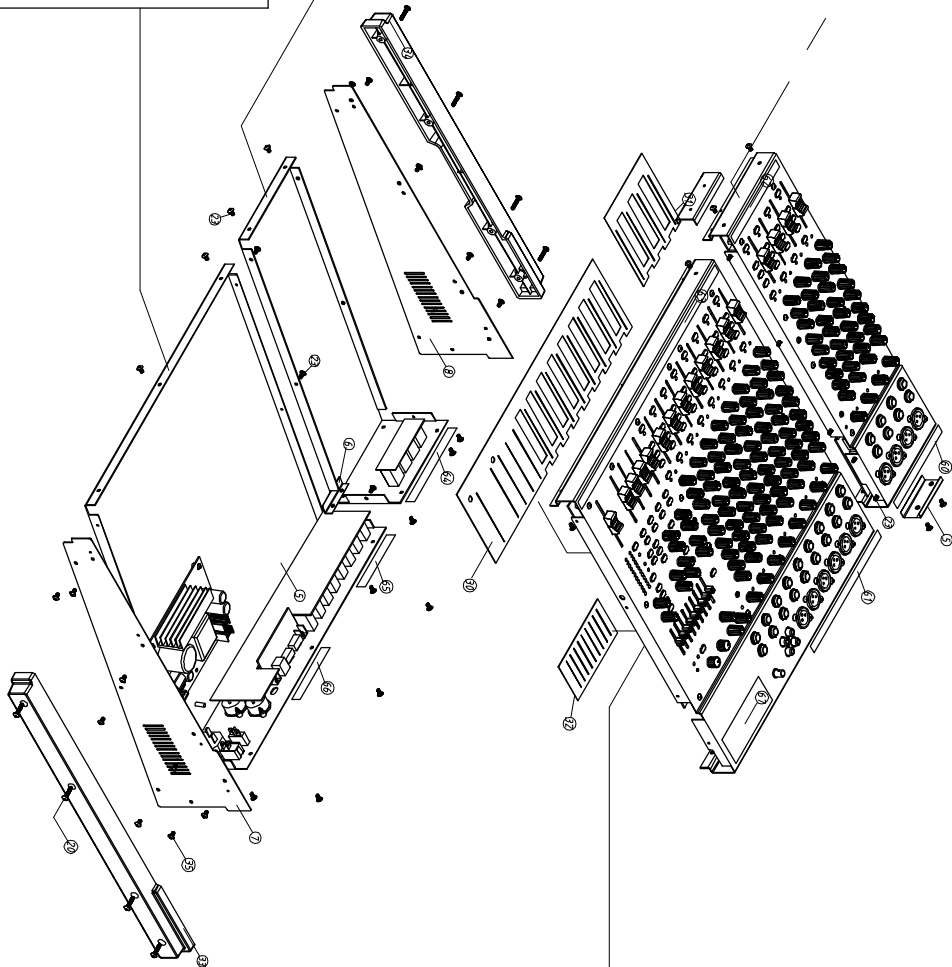
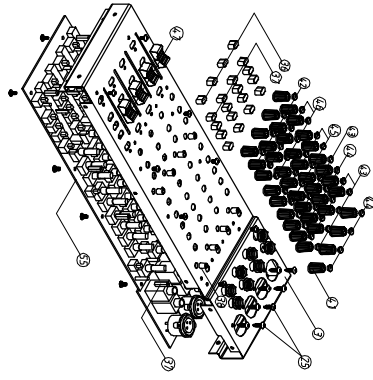
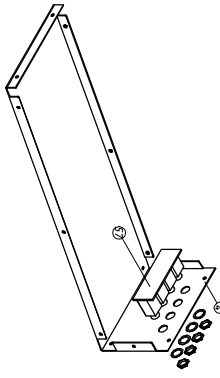
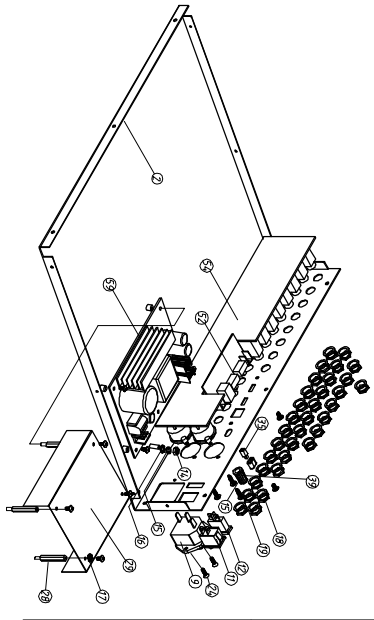


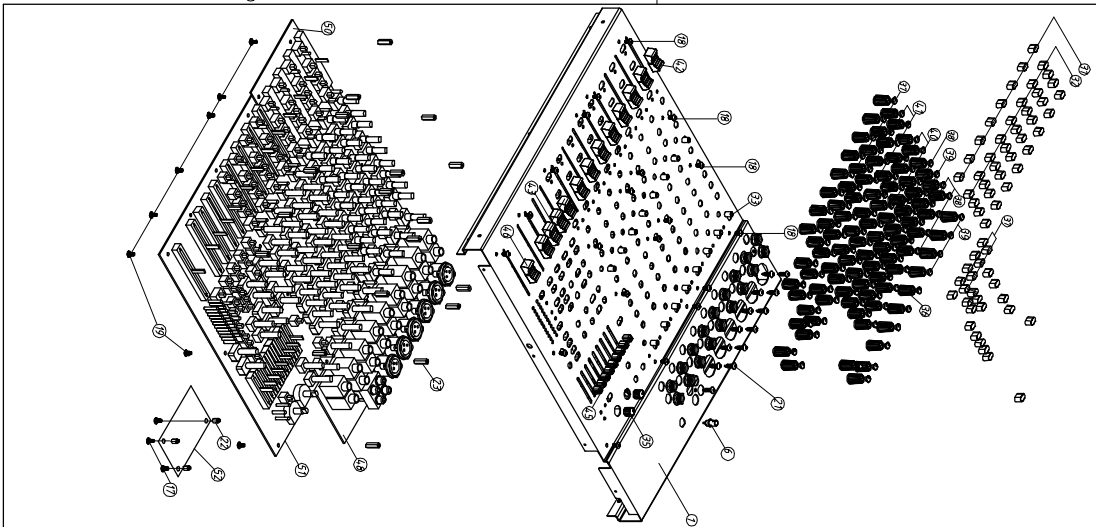
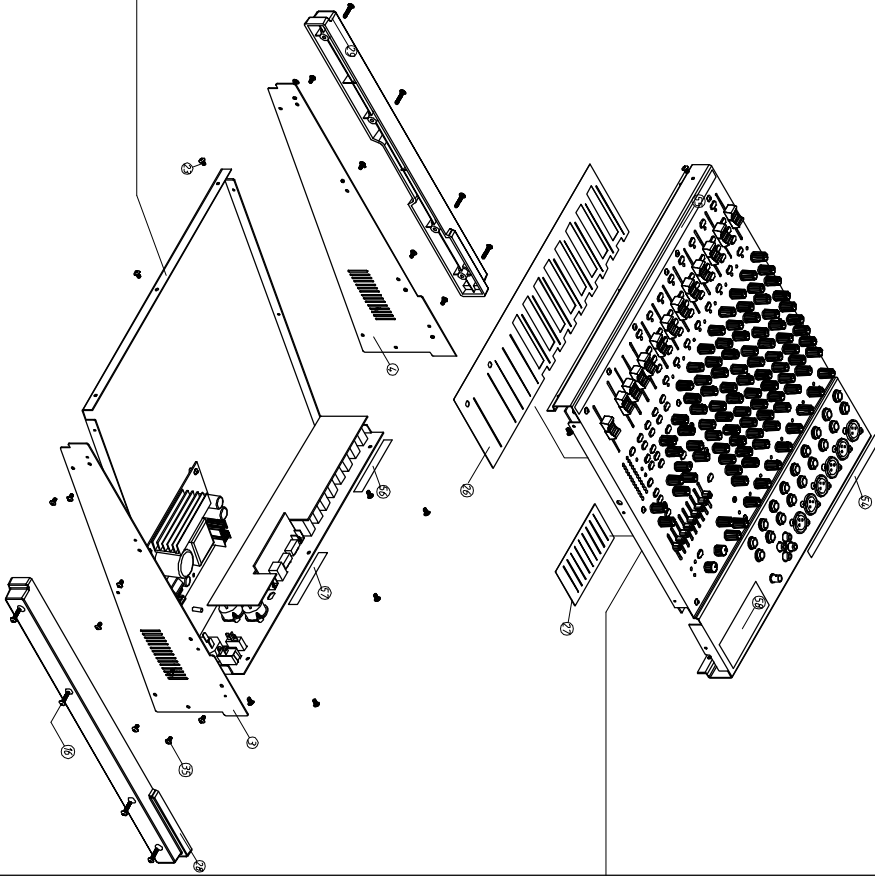
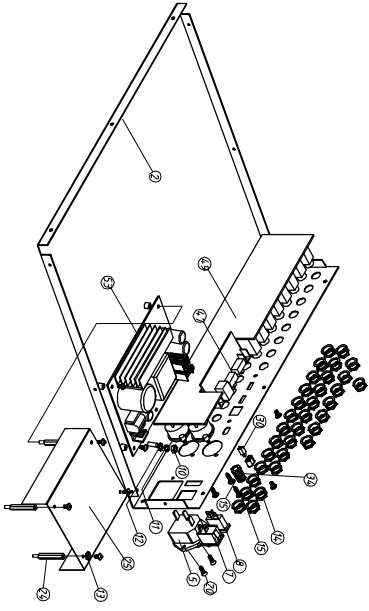
5 EXPLODED VIEW

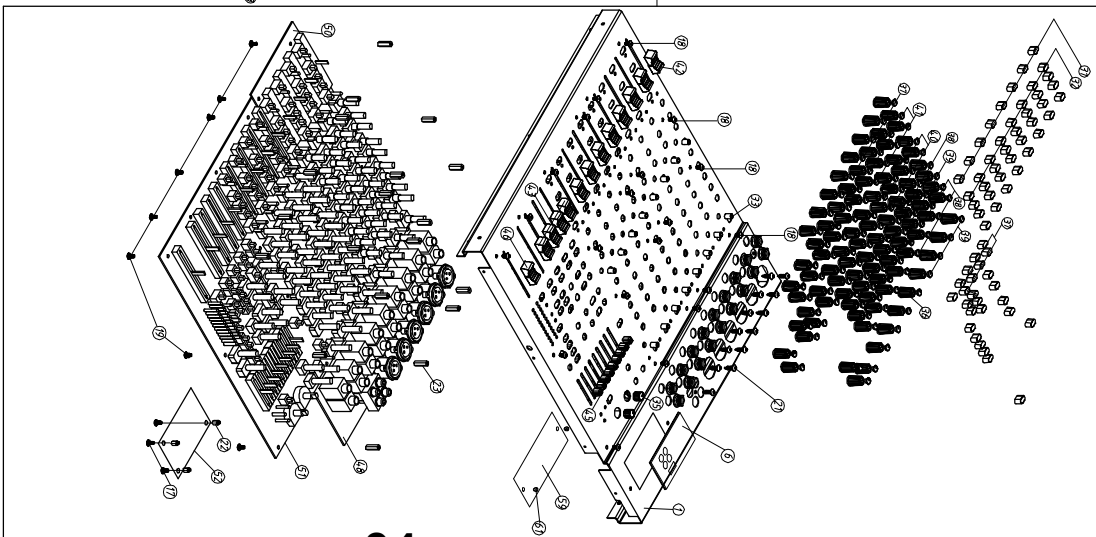
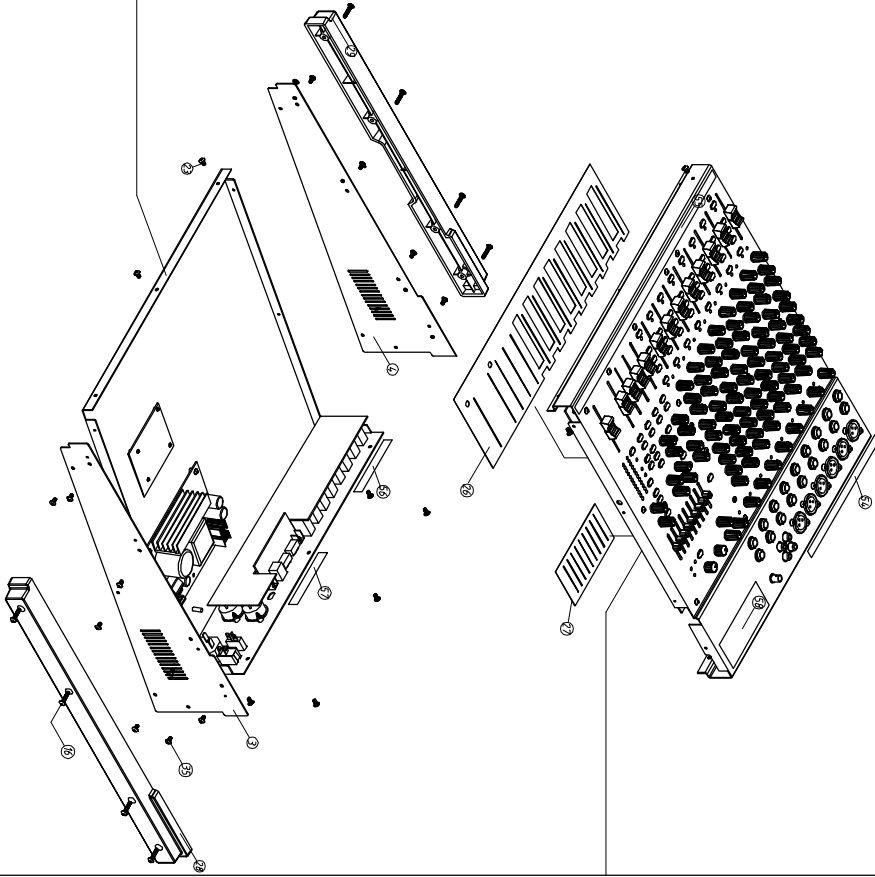
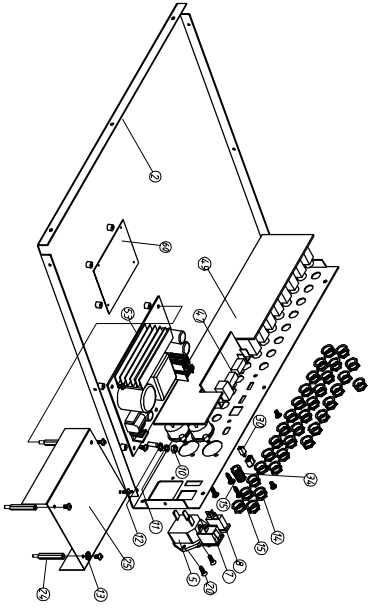
SEIKAIKU











PARTS LIST

No.	Part No.	Description	Specification	PCS
1	MA07947	FRONT PANEL	LYNX-MIX244 USB MKII STEREO_V1.0	1
2	MB06346	BOTTOM PANEL	LYNX-MIX244 USB MKII STEREO_V1.0	1
3	MJ01400	SIDE PANEL	LYNX-124USB RIGHT_V1.0	1
4	MJ01401	SIDE PANEL	LYNX-124USB LEFT_V1.0	1
5	HC00008	AC CONNECTOR	3515 A TYPE(RF-2004-C-4.8)	1
6	HC00206	BNC CONNECTOR	WJ-7031(28*12.7)	1
7	HI00019	POWER SW	4P MSR-8	1
8	HI00171	POWER SW	R612KKATOF1	1
9	ME00015	COLOUR NUT	3mm	6
10	ME00016	COLOUR NUT	4mm	1
11	MF00038	SPRING WASHER	4* 7*1t	1
12	MF00048	OUTER GEAR WASHER	4* 8*0.5t	1
13	MF00014	OUTER GEAR WASHER	3* 6.5*0.5t	1
14	ME00060	MIC CONNECTOR NUT	JY-6351G-02-250	51
15	MF00061	WASHER	9.6* 13*0.5t	51
16	MG00377	BLACK-PLATED SCREW	M3*16mm	8
17	MG00036	BLACK-PLATED SCREW	M3*4	3
18	MG00804	BLACK-PLATED SCREW	M3*6*0.5PH_V1.0	20
19	MG00041	BLACK-PLATED SCREW	M3*6	51
20	MG00042	BLACK-PLATED SCREW	M3*10	2
21	MG00580	BLACK-PLATED SCREW	M3*10(5.0)_V1.0	17
22	MG00243	COPPER PILLAR	M3*5*0.5PH	3
23	MG00248	COPPER PILLAR	M3*15*0.5PH	20
24	MG00707	COPPER PILLAR	5.0*M3*37_V1.0	4
25	MI05062	SEPARATION SCREEN	LYNX-MIX244 USB 0.3t*138*121.5*40_V1.0	1
26	ND00246	DUSTFROOF DOME	0.35t*347*100mm BLACK2016B_V1.1	1
27	ND00247	DUSTFROOF DOME	0.35t*100*50(2016B)_V1.1	1
28	NI02547	HANDLE	401*31*25mm RIGHT BLACK	1
29	NI02548	HANDLE	401*31*25mm LEFT BLACK	1
30	NI01862	BUTTON BAR	5.5*5.5*14.5_V1.1	1
31	NI01863	BUTTON	5.5*W10*7.5 BLACK	48
32	NI05634	BUTTON	5.5*W10*7.5 187CRED_V1.0	18
33	NI02377	BUTTON	5.5*7.5 BLACK_V1.2	15
34	NI02084	RUBBER KNOB	10.5*18mm	1
35	NI02386	RUBBER KNOB	14*13mm	2
36	NI04004	RUBBER KNOB	10*16.5 90 _V1.0	95
37	NI02692	KNOB DOME	7*3.5 BLACK	8
38	NI02678	KNOB DOME	7*3.5 534C BLUE	28
39	NI02868	KNOB DOME	7*3.5 WHITE_V1.0	14
40	NI04601	KNOB DOME	7*3.5 3298U GREEN_V1.0	22
41	NI04602	KNOB DOME	7*3.5 123U BLOWN_V1.0	23
42	NI04042	SKID BUTTON	24*11.5*11_V1.0	8
43	NI02353	SKID BUTTON	24*11.5*11	4
44	NI05472	SKID BUTTON	MIX 244 6*7*8 COOL GRAY 8U_V1.1	9
45	NI02352	SKID BUTTON	24*11.5*11	1

No.	Part No.	Description	Specification	PCS
46	NI04557	INSULATION SHEET	XM-24 0.5t*102.5*129_V1.2	2
47	HK10832	PC BOARD	P-LYNX124USB USB-DIP	1
48	HK10831	PC BOARD	P-LYNX124USB PU2-DIP	1
49	HK10830	PC BOARD	P-LYNX124USB PU1-DIP	1
50	HK10829	PC BOARD	P-LYNX124USB MONO-DIP	1
51	HK10828	PC BOARD	P-LYNX124USB MN1-DIP	1
52	HK01409	PC BOARD	P-313123-DIP(AMX-140FX)	1
53	HK10004	PC BOARD	P-LYNX-MIX244_PSM80WA-DIP	1
54	NE19434	LABEL	LYNX-MIX124 USB MKII TOP MIC1-6_V1.0	1
55	NE19418	LABEL	LYNX-MIX124 USB MKII REAR1-4_V1.0	1
56	NE19437	LABEL	LYNX-MIX124 USB MKII BOTTOM1-12_V1.0	1
57	NE19440	LABEL	LYNX-MIX124 USB MKII SW_V1.0	1
58	NE19431	LABEL	LYNX-MIX124 USB MKII_V1.0	1
59	NI05514	ACRYLIC	LYNX-MIX124UM 97.5*48*3_V1.0	1
60	HK10949	PC BOARD	P-LYNX-MIX124UM MN1-DIP	1
61	HK10132	PC BOARD	P-USB_LCD_DIP	1
62	HK10130	PC BOARD	P-USB_M_DIP	1
63	MG00246	COPPER PILLAR	M3*12*0.5PH	2
64	MAO7946	FRONT PANEL	LYNX-MIX124 USB MKII MONO_V1.0	1
65	MB06345	BOTTOM BOARD	LYNX-MIX124 USB MKII MONO_V1.0	1
66	MI05060	FIXED BRACKET	LYNX-MIX124 USB 58*22.5*6_V1.0	2
67	MI05061	FIXED BRACKET	LYNX-MIX124 USB 1.0t*58*15*12_V1.0	1
68	ND00245	DUSTFROOF DOME	0.35t*95.5*100mm BLACK2016B_V1.1	1
69	HK01576	PC BOARD	P-L12PU4-DIP	1
70	NE19435	LABEL	LYNX-MIX164 USB MKII REAR5-10_V1.0	1
71	NE19417	LABEL	LYNX-MIX244 USB MKII REAR5-8_V1.0	1
72	NE19412	LABEL	LYNX-MIX244 USB MKII BOTTOM1-4_V1.0	1
73	NE19438	LABEL	LYNX-MIX164 USB MKII BOTTOM5-16_V1.0	1
74	NE19441	LABEL	LYNX-MIX164 USB MKII SW_V1.0	1
75	NE19432	LABEL	LYNX-MIX164 USB MKII_V1.0	1
76	NE19408	LABEL	LYNX-MIX244 USB MKII TOP MIC5-8_V1.0	1
77	NE19436	LABEL	LYNX-MIX244 USB MKII TOP MIC9-14_V1.1	1
78	NE19416	LABEL	LYNX-MIX244 USB MKII REAR9-12_V1.0	1
79	NE19411	LABEL	LYNX-MIX244 USB MKII REAR5-8_V1.0	1
80	NE19439	LABEL	LYNX-MIX204 USB MKII BOTTOM9-20_V1.0	1
81	NE19442	LABEL	LYNX-MIX204 USB MKII SW_V1.0	1
82	NE19433	LABEL	LYNX-MIX204 USB MKII_V1.0	1
83	NE19407	LABEL	LYNX-MIX244 USB MKII TOP MIC9-12_V1.0	1
84	NE19413	LABEL	LYNX-MIX244 USB MKII TOP MIC13-18_V1.0	1
85	NE19419	LABEL	LYNX-MIX244 USB MKII REAR13-16_V1.0	1
86	NE19410	LABEL	LYNX-MIX204 USB MKII BOTTOM9-12_V1.0	1
87	NE19414	LABEL	LYNX-MIX204 USB MKII BOTTOM13-24_V1.0	1
88	NE19415	LABEL	LYNX-MIX244 USB MKII SW_V1.0	1
89	NE19406	LABEL	LYNX-MIX244 USB MKII_V1.0	1

6 BOM

Rank	Part No.	Description	Specification	QTY	Remark
PF04383		MIXER	LYNX-MIX244 USB_ALTO_230V_	1	
0001	HK10840	lead plane	LYNX-MIX244 USB_ALTO_230V	1	
0001	MA07947	panel-RS	LYNX-MIX244 USB MK STEREO_V1.1	1	
0002	MB06346	chassis-RS	LYNX-MIX244 USB MK STEREO_V1.0	1	
0003	MA07946	panel-RS	LYNX-MIX244 USB MK MONO_V1.0	3	
0004	MB06345	chassis-RS	LYNX-MIX244 USB MK MONO_V1.0	3	
0005	MI05060	fixed bracket-RS	LYNX-MIX244USB 58*22.5*6_V1.0	6	
0006	MI05061	fixed bracket-RS	LYNX-MIX244USB 1.0t*58*15*12_V1.0	3	
0007	MJ01400	side cover board-RS	LYNX-124USB_V1.0	1	
0008	MJ01401	side cover board-RS	LYNX-124USB_V1.0	1	
0009	HC00008	AC socket	3515 A TYPE(RF- 2004-C-4.8)	1	
0010	HC00206	BNC jack	WJ-7031(28*12.7)	1	
0011	HI00019	power switch	4P MSR-8	1	
0012	HI00171	power switch-RS	R612KKAT0F1	1	
0013	ME00015	color nut	3m/m	6	fix DSP board and front/rear panel
0014	ME00016	color nut	4m/m	1	lock ground cable
0015	MF00038	washer-RS	4* 7*1t	1	lock ground cable
0016	MF00048	washer-RS	4* 8*0.5t	1	lock ground cable
0017	MF00014	washer	3* 6.5*0.5t	1	fix separation screen
0018	ME00060	MIC jack	JY-6351G-02-250	87	lock HC00125
0019	MF00061	MIC jack	9.6* 13*0.5t	87	lock HC00125
0020	MG00377	screw	M3*16mm	8	lock right/left handle
0021	MG00036	screw	M3*4	3	fix DSP board
0022	MG00804	screw-RS-CT	M3*6*0.5PH_V1.0	44	fix front panel and PCB semifinished products
0023	MG00041	screw	M3*6	132	lock PC board and assembling
0024	MG00042	screw	M3*10	2	fix AC connector
0025	MG00580	screw	M3*10_V1.0	41	fix MIC male connector , MIC female connector and RCA connector
0026	MG00243	copper pillar	M3*5*0.5PH	3	fix DSP bozrd
0027	MG00248	copper pillar	M3*15*0.5PHdouble plane	44	lock PC board and front panel
0028	MG00707	iron pillar	5.0*M3*37 42(VI000110)_V1.0	4	fix separation screen

Rank	Part No.	Description	Specification	QTY	Remark
0029	MI05062	separating shade-RS	LYNX-MIX244USB 0.3t*138*121.5*40_V1.0	1	
0030	MJ00808	fixed clip	WL3-32T	2	
0031	ND00246	dustproof cloth-RS	0.35t*347*100mm 2016B_V1.1	1	
0032	ND00245	dustproof cloth-RS	0.35t*95.5*100mm 2016B_V1.1	3	
0033	ND00247	dustproof cloth	0.35t*100*50(2016B)_ V1.1	1	
0034	NI00252	sleeve	4*20mm	8	
0035	NI02547	handle	401*31*25mm	1	
0036	NI02548	handle	401*31*25mm	1	
0037	NI01862	key	5.5*5.5*14.5_V1.1	1	
0038	NI01863	key-RS	5.5*W10*7.5_V1.3	96	
0039	NI05634	key-RS-CT	5.5*W10*7.5 187C red_V1.0	30	
0040	NI02377	knob-RS	5.5*7.5(3.3*3.3mm)_V 1.2	39	
0041	NI02084	knob	10.5*18mm	1	MONO
0042	NI02386	konb-RS	14*13mm	2	DSP
0043	NI04004	knob	10*16.5 90 °V1.0	215	
0044	NI02692	knob cover	7*3.5 black	20	PAN、BAL
0045	NI02678	knob cover	7*3.5 534C blue	64	EQ (HI、HI-MID、 MID、MID-LOW、 LOW)
0046	NI02868	knob cover	7*3.5 white_V1.0	38	TRIM*16、EQ (FREQ)*12、 PHONES*1、CTRL RPPM*1
0047	NI04601	knob-RS	7*3.5 3298U_V1.0	46	AUX1、AUX2、 AUX SEND1、 AUX SEND2、 STEREO AUX RETURNS1、 STERE,,O AUX RETURNS2
0048	NI04602	knob-RS	7*3.5 123U_V1.0	47	AUX3、AUX4、 AUX SEND3、 AUX SEND4、 STEREO AUX RETURNS3、 STERE,,O AUX RETURNS4
0049	NI04042	knob	24*11.5*11_V 1.0	20	CHANNEL
0050	NI02353	knob	24*11.5*11	4	SUBGROUPS
0051	NI05472	slide key-RS	MIX 244 6*7*8 COOL GRAY 8U_V1.1	9	STEREO GRAPHIC EQ
0052	NI02352	knob	24*11.5*11	1	MAIN MIX LEVEL

Rank	Part No.	Description	Specification	QTY	Remark
0053	NI04557	insulator-RS	XM-24 0.5t*102.5*129_V1.2	2	
0054	HK10832	PC board	P-LYNX-MIX124USB USB-DIP	1	
0001	SC00003	crystal oscillator	12.000MHZ HC-49/US ±20PPM	1	
0002	HC00335	terminal for PCB	PCB-2-M3	2	
0003	HI00125	slide switch	SL20202-25Y-6mm	2	
0004	HC00754	USB socket	CU02SAH0000 90 °	1	
0005	HA00210	wire	260mm red L3R3	1	C26 positive terminal
0006	HA05353	wire-RS	12P-8P/4P 160/125mm UL1007 24AWG	1	
0007	AC00603	lead free soldering bar	S100	1.44	
0008	HK10496	PC board	P-LYNX- MIX124UM_USBMOD -AI	1	
0001	CB00192	electrolytic capacitor	10uF/16V 4*7mm	10	
0002	HK10495	PC board	P-LYNX- MIX124UM_USBMOD -SMD	1	
0001	CI00266	SMD ceramic capacitor-RS 0603	22PF/50V NPO ±5%	2	
0002	CI00075	SMD ceramic capacitor 0603	0.1uF/50V Y5V +80,- 20%	5	
0003	RD00544	SMD precise resistance 1/10W	22 ±1% 0603	2	
0004	RD00274	SMD precise resistor 1/10W	100 ±1% 0603	4	
0005	RD00201	SMD precise resistor 1/10W	1.50K ±1% 0603	1	
0006	RD00414	SMD precise resistor 1/10W	3.90K ±1% 0603	4	
0007	RD00214	SMD precise resistor 1/10W	10.0K ±1% 0603	4	
0008	RD00353	SMD fixed resistor 1/10W	36K ±5% 0603	4	
0009	RD00306	SMD fixed resistor 1/10W	20K ±5% 0603	4	
0010	RD00125	SMD fixed resistor 1/10W	1.0M ±5% 0603	1	
0011	CI00009	SMD ceramic capacitor 0805	33PF/50V NPO	2	
0012	CI00149	SMD ceramic capacitor 0805	330PF/50V NPO ±5%	4	
0013	CI00108	SMD ceramic capacitor 0805	0.0018uF/50V NPO ± 5%	4	
0014	CI00030	SMD ceramic capacitor 0805	1uF/16V Y5V- 0805(2012)	4	

Rank	Part No.	Description	Specification	QTY	Remark
0015	RD00002	SMD fixed resistor 1/8W	0.0 $\pm 5\%$ 0805	1	
0016	SG00489	SMD integrated circuit-RS	PCM2900E(SSOP28)/(TI)	1	
0017	SG00122	SMD integrated circuit-RS-ACT	NJM4580M-TE3(SOP8)/(JRC)	2	
0018	HB02951	PCB-RS	LYNX-MIX124 USB/UM_USBMOD(2*4)_VER081024	1	
0019	AE00553	SenJu solder paste	M705-GRN360-K2-V 0.5KG/bottle	0.168	
0055	HK10831	PC board	P-LYNX-MIX124USB PU2-DIP	1	
0001	HC00321	connector(male)	14P 2.0mm 180 °	2	
0002	HC00886	connector(male)-RS	2*8P 2.0mm 180 ° (A2004WV-2*8P)	1	
0003	HC00076	connector(male)	2P 2.5mm 180 °	1	
0004	SD00007	integrated circuit	BA15218N(M5218L)(SIP8)/(ROHM)	4	
0005	HC00126	balance MIC jack-RS	JY-5042-030G female plug 180 °	2	
0006	HC00125	MIC jack-RS	JY-6351G-02-250	10	
0007	HC00403	RCA jack	SCP6873NS3232T2 4P	1	
0008	RA01262	precise resistor 1/4W	6.81K $\pm 1\%$	4	
0009	CB00255	electrolytic capacitor	1000uF/10V 8*11mm 5mm	2	
0010	AC00603	lead free soldering bar	S100	3.82	
0011	HK10839	PC board	P-LYNX-MIX124USB PU2-AI	1	
0001	CB00238	electrolytic capacitor	0.22uF/50V 5*11mm	6	
0002	CB00194	electrolytic capacitor	47uF/25V 5*11mm	14	
0003	CB00334	electrolytic capacitor-RS	47uF/50V 6.3*11mm	4	
0004	HK10836	PC board	P-LYNX-MIX124USB PU2-SMD	1	
0001	CI00266	SMD ceramic capacitor-RS 0603	22PF/50V NPO $\pm 5\%$	32	
0002	CI00268	SMD ceramic capacitor-RS 0603	47PF/50V NPO $\pm 5\%$	2	
0003	CI00059	SMD ceramic capacitor 0603	100PF/50V NPO $\pm 5\%$	16	
0004	CI00063	SMD ceramic capacitor 0603	470PF/50V NPO $\pm 5\%$	2	
0005	CI00075	SMD ceramic capacitor 0603	0.1uF/50V Y5V +80,-20%	20	
0006	RD00298	SMD precise resistor 1/10W	47.0 $\pm 1\%$ 0603	4	

Rank	Part No.	Description	Specification	QTY	Remark
0007	RD00282	SMD precise resistor 1/10W	1.00K ±% 0603	2	
0008	RD00351	SMD fixed resistor 1/10W	1.3K ±% 0603	2	
0009	RD00406	SMD precise resistor 1/10W	3.60K ±% 0603	4	
0010	RD00210	SMD precise resistor 1/10W	5.11K ±% 0603	8	
0011	RD00214	SMD precise resistor 1/10W	10.0K ±% 0603	30	
0012	RD00219	SMD precise resistor 1/10W	20.0K ±% 0603	16	
0013	RD00550	SMD precise resistor 1/10W	27.0K ±% 0603	16	
0014	RD00007	SMD fixed resistor 1/8W	120 ±% 0805	8	
0015	SE00011	SMD rectifier diode	RLS4148 0.5A (LL-34)	8	
0016	SG00122	SMD integrated circuit-RS-ACT	NJM4580M- TE3(SOP8)/(JRC)	10	
0017	RD00224	SMD precise resistor 1/10W	100K ±% 0603	8	
0018	RD00329	SMD precise resistor 1/10W	30.0K ±% 0603	2	
0019	RD00090	SMD fixed resistor 1/10W	3.0K ±% 0603	2	
0020	AE00553	SenJu solder paste	M705-GRN360-K2-V 0.5KG/bottle	0.53	
0021	HB02989	PCB-RS	LYNX-MIX124 USB/UM_PU2_VER09 0227	1	
0056	HK10830	PC board	P-LYNX-MIX124USB PU1-DIP	1	
0001	HC01128	connector(male)-RS	2*22P 2.54mm 180 °	1	
0002	HC00076	connector(male)	2P 2.5mm 180 °	1	
0003	HC00255	connector(male)	4P 2.0mm 180 °	1	
0004	HC00256	connector(male)	5P 2.0mm 180 °	1	
0005	HC00077	connector(male)	3P 2.5mm 180 °	1	
0006	HC00392	balance MIC jack-RS	JY-5030-030G 180 °	2	
0007	HC00125	MIC jack-RS	JY-6351G-02-250	33	
0008	HI00237	push-button switch- RS	2 12P KFC-D130- B(SELF-LOCK)	1	
0009	RC00359	potentiometer	W50K RD09F113A224- 50K4BT(SAS1);30F-C	1	
0010	CB00194	electrolytic capacitor	47uF/25V 5*11mm	7	
0011	AC00603	lead free soldering bar	S100	4.86	
0012	HK10835	PC board	P-LYNX-MIX124USB PU1-SMD	1	

Rank	Part No.	Description	Specification	QTY	Remark
0001	RD00102	SMD fixed resistor 1/10W	12K $\pm 5\%$ 0603	1	
0002	RD00509	SMD fixed resistor 1/10W	24K $\pm 5\%$ 0603	1	
0003	RD00306	SMD fixed resistor 1/10W	20K $\pm 5\%$ 0603	4	
0004	RD00105	SMD fixed resistor 1/10W	22K $\pm 5\%$ 0603	2	
0005	RD00352	SMD fixed resistor 1/10W	3.6K $\pm 5\%$ 0603	1	
0006	RD00094	SMD fixed resistor 1/10W	5.1K $\pm 5\%$ 0603	8	
0007	CI00266	SMD ceramic capacitor-RS 0603	22PF/50V NPO $\pm 5\%$	3	
0008	CI00075	SMD ceramic capacitor 0603	0.1uF/50V Y5V +80,- 20%	4	
0009	RD00007	SMD fixed resistor 1/8W	120 $\pm 5\%$ 0805	50	
0010	SG00122	SMD integrated circuit-RS-ACT	NJM4580M- TE3(SOP8)/(JRC)	2	
0011	AE00553	SenJu solder paste	M705-GRN360-K2-V 0.5KG/bottle	0.2	
0012	HB02988	PCB-RS	LYNX-MIX124 USB/UM_PU1_VER09 0227	1	
0057	HK10829	PC board	P-LYNX-MIX124USB MONO-DIP	4	
0001	HC01127	connector(male)-RS	2*6P 2.0mm 180 ° (A2004WV-2*6P)	1	
0002	HC00126	balance MIC jack-RS	JY-5042-030G female plug 180 °	4	
0003	HC00125	MIC jack-RS	JY-6351G-02-250	8	
0004	HI00236	push-button switch- RS	2 6P KFC-D85- C(SELF-LOCK)	24	
0005	HI00237	push-button switch- RS	2 12P KFC-D130- B(SELF-LOCK)	4	
0006	SA00053	L.E.D	3 round(red)long foot 26mm	8	
0007	SA00054	L.E.D	3m/m round(yellow)long foot 26	4	
0008	SA00052	L.E.D	3 round(green)long foot 26	4	
0009	RC00284	slide potentiometer	D10K RF6011YP600F- 10KD(SAS1)	4	
0010	RC00672	potentiometer-RS	B50K XV09213YNPV30F- 1B50K C.C	12	

Rank	Part No.	Description	Specification	QTY	Remark
0011	RC00703	potentiometer-RS	W50K XV09213YNPV30F-4BP50K CC	20	
0012	RC00671	potentiometer-RS	C500K XV012313YGPV30F-15C500K C.C	4	
0013	RC00727	potentiometer-RS	Z10K XV09213YNPV30F914 Z10K	4	
0014	HA05356	wire-RS	15P 30mm UL2651 26AWG	2	
0015	HA02188	wire-RS	5P-5P 140mm UL1007 28AWG	1	
0016	HC00887	connector(male)-RS	2*10P 2.0mm 180 ° (A2004WV-2*10P)	1	
0017	HC00886	connector(male)-RS	2*8P 2.0mm 180 ° (A2004WV-2*8P)	1	
0018	NI01786	LED spacer support	LEDS-12 12mm	16	
0019	RA01262	precise resistor 1/4W	6.81K $\pm 1\%$	8	
0020	AC00603	lead free soldering bar	S100	14.17	
0021	HK10838	PC board	P-LYNX-MIX124USB MONO-AI	1	
0001	CB00255	electrolytic capacitor	1000uF/10V 8*11mm 5mm	4	
0002	CB00238	electrolytic capacitor	0.22uF/50V 5*11mm	12	
0003	CB00242	electrolytic capacitor	22uF/35V 5*11mm	8	
0004	CB00194	electrolytic capacitor	47uF/25V 5*11mm	24	
0005	CB00334	electrolytic capacitor-RS	47uF/50V 6.3*11mm	8	
0006	HK10834	PC board	P-LYNX-MIX124USB MONO-SMD	1	
0001	CI00075	SMD ceramic capacitor 0603	0.1uF/50V Y5V +80,-20%	28	
0002	CI00063	SMD ceramic capacitor 0603	470PF/50V NPO $\pm 5\%$	12	
0003	CI00268	SMD ceramic capacitor-RS 0603	47PF/50V NPO $\pm 5\%$	4	
0004	CI00266	SMD ceramic capacitor-RS 0603	22PF/50V NPO $\pm 5\%$	28	
0005	RD00059	SMD fixed resistor 1/10W	0.0 $\pm 5\%$ 0603	4	
0006	RD00062	SMD fixed resistor 1/10W	18 $\pm 5\%$ 0603	4	
0007	RD00298	SMD precise resistor 1/10W	47.0 $\pm 1\%$ 0603	8	
0008	RD00069	SMD fixed resistor 1/10W	120 $\pm 5\%$ 0603	4	

Rank	Part No.	Description	Specification	QTY	Remark
0009	RD00083	SMD fixed resistor 1/10W	1.0K \pm 5% 0603	4	
0010	RD00351	SMD fixed resistor 1/10W	1.3K \pm 5% 0603	4	
0011	RD00085	SMD fixed resistor 1/10W	1.5K \pm 5% 0603	12	
0012	RD00090	SMD fixed resistor 1/10W	3.0K \pm 5% 0603	4	
0013	RD00406	SMD precise resistor 1/10W	3.60K \pm 1% 0603	8	
0014	RD00092	SMD fixed resistor 1/10W	3.9K \pm 5% 0603	4	
0015	RD00093	SMD fixed resistor 1/10W	4.7K \pm 5% 0603	12	
0016	RD00210	SMD precise resistor 1/10W	5.11K \pm 1% 0603	36	
0017	RD00095	SMD fixed resistor 1/10W	5.6K \pm 5% 0603	8	
0018	RD00097	SMD fixed resistor 1/10W	6.8K \pm 5% 0603	12	
0019	RD00102	SMD fixed resistor 1/10W	12K \pm 5% 0603	4	
0020	RD00219	SMD precise resistor 1/10W	20.0K \pm 1% 0603	12	
0021	RD00105	SMD fixed resistor 1/10W	22K \pm 5% 0603	4	
0022	RD00509	SMD fixed resistor 1/10W	24K \pm 5% 0603	4	
0023	RD00329	SMD precise resistor 1/10W	30.0K \pm 1% 0603	4	
0024	RD00353	SMD fixed resistor 1/10W	36K \pm 5% 0603	4	
0025	RD00371	SMD precise resistor 1/10W	51.1K \pm 1% 0603	8	
0026	RD00114	SMD fixed resistor 1/10W	68K \pm 5% 0603	4	
0027	RD00125	SMD fixed resistor 1/10W	1.0M \pm 5% 0603	4	
0028	RD00214	SMD precise resistor 1/10W	10.0K \pm 1% 0603	12	
0029	RD00334	SMD precise resistor 1/10W	11.0K \pm 1% 0603	8	
0030	RD00218	SMD precise resistor 1/10W	15.0K \pm 1% 0603	36	
0031	CI00098	SMD ceramic capacitor 0805	0.033uF/50V X7R \pm 10%	8	
0032	SE00011	SMD rectifier diode	RLS4148 0.5A (LL-34)	20	
0033	SG00122	SMD integrated circuit-RS-ACT	NJM4580M- TE3(SOP8)/(JRC)	14	

Rank	Part No.	Description	Specification	QTY	Remark
0034	SF00056	transistor	MMBT3904(SOT23)/(PHI)	12	
0035	RD00098	SMD fixed resistor 1/10W	7.5K $\pm 5\%$ 0603	8	
0036	CI00023	SMD ceramic capacitor 0805	0.0022uF NPO $\pm 5\%$ - 50V	4	
0037	CI00026	SMD ceramic capacitor 0805	0.0033uF/50V X7R \pm 10%	4	
0038	CI00275	SMD ceramic capacitor-RS 0805	0.0056uF/50V X7R \pm 10%	8	
0039	AE00553	SenJu solder paste	M705-GRN360-K2-V 0.5KG/bottle	1.21	
0040	HB02990	PCB-RS	LYNX-MIX124 USB/UM_MONO1_VE R090227	1	
0058	HK10828	PC board	P-LYNX-MIX124USB MN1-DIP	1	
0001	HI00236	push-button switch- RS	2 6P KFC-D85- C(SELF-LOCK)	38	
0002	HI00238	push-button switch- RS	2 6P KFC-D85- D(NON-LOCK)	1	
0003	HI00237	push-button switch- RS	2 12P KFC-D130- B(SELF-LOCK)	14	
0004	HI00161	relay	RY-5W-K,5V	1	
0005	HI00195	rotary switch-RS- ACT	SDB161PVB15.5F-1-4- 16-16PC	2	
0006	SA00053	L.E.D	3 round(red)long foot 26mm	14	
0007	SA00054	L.E.D	3m/m round(yellow)long foot 26	6	
0008	SA00052	L.E.D	3 round(green)long foot 26	26	
0009	RC00284	slide potentiometer	D10K RF6011YP600F- 10KD(SAS1)	4	
0010	RC00285	slide potentiometer- dual unit	D10K RF60112P600G- 10KD*2(SAS1)	5	
0011	RC00669	potentiometer-RS	B50K XV012313YGPV30F- 3B50K C.C	16	
0012	RC00703	potentiometer-RS	W50K XV09213YNPV30F- 4BP50K CC	28	
0013	RC00670	potentiometer-RS	W50K XV012313YGPV30F- 4B50K C.C	11	
0014	RC00315	slide potentiometer	W100K RA3022- 202-15DA-W100K-C	9	

Rank	Part No.	Description	Specification	QTY	Remark
0015	HK07637	PC board	P-DSP-PRE-DIP(APM120)	1	
0001	HC00697	connector	2.0 90 °16P(gold-pated)2.5/9.5mm 2mm	1	
0002	AC00603	lead free soldering bar	S100	0.4	
0003	HK07638	PC board	P-DSP-PRE-SMD(APM120)	1	
0001	HB01916	PCB-RS	DSP-PRE(1*10)_VER070316	1	
0002	SG00306	SMD integrated circuit	LM393DR(TI)/(MEXICO)	1	
0003	SG00469	SMD integrated circuit-RS	SN74HC109DR(SO16)/(TI)	1	
0004	SG00068	SMD integrated circuit	74HC14DT(SO14)/(PHI)	1	
0005	SF00056	transistor	MMBT3904(SOT23)/(PHI)	1	
0006	RD00068	SMD fixed resistor 1/10W	100 ±5% 0603	2	
0007	SE00007	SMD rectifier diode	RB400D(D3A)	1	
0008	SE00009	SMD rectifier diode-RS	DAN202K/T-146	1	
0009	SE00028	SMD rectifier diode-RS-ACT	BAS316,115	2	
0010	RD00059	SMD fixed resistor 1/10W	0.0 ±5% 0603	1	
0011	RD00083	SMD fixed resistor 1/10W	1.0K ±5% 0603	1	
0012	RD00099	SMD fixed resistor 1/10W	8.2K ±5% 0603	2	
0013	RD00101	SMD fixed resistor 1/10W	10K ±5% 0603	14	
0014	RD00093	SMD fixed resistor 1/10W	4.7K ±5% 0603	1	
0015	RD00098	SMD fixed resistor 1/10W	7.5K ±5% 0603	1	
0016	RD00111	SMD fixed resistor 1/10W	47K ±5% 0603	1	
0017	RD00125	SMD fixed resistor 1/10W	1.0M ±5% 0603	1	
0018	RD00124	SMD fixed resistor 1/10W	820K ±5% 0603	1	
0019	RD00126	SMD fixed resistor 1/10W	2.2M ±5% 0603	1	
0020	CI00129	SMD ceramic capacitor 0603	0.0015uF/50V X7R ±10%	2	
0021	CL00002	SMD tantalum capacitor-RS-ACT	1.0uF/16V case A	2	

Rank	Part No.	Description	Specification	QTY	Remark
0022	CI00053	SMD ceramic capacitor 0603	33PF/50V COG ± 5%(C1608C0G1H330JT)/TDK	2	
0023	CL00006	SMD tantalum capacitor-RS-ACT	10uF/16V case B2	2	
0024	CI00051	SMD ceramic capacitor 0603	22PF/50V COG ± 5%(C1608C0G1H220JT)/TDK	4	
0025	CI00075	SMD ceramic capacitor 0603	0.1uF/50V Y5V +80,-20%	8	
0026	SE00085	SMD zener diode-RS	1/2W 2.4V ZMM55-C2V4	2	
0027	AE00553	SenJu solder paste	M705-GRN360-K2-V 0.5KG/bottle	0.124	
0028	SG00243	SMD integrated circuit	NE555DR(SO8)/(TI)	1	
0029	SG00122	SMD integrated circuit-RS-ACT	NJM4580M-TE3(SOP8)/(JRC)	3	
0030	RD00306	SMD fixed resistor 1/10W	20K ±5% 0603	2	
0031	RD00349	SMD fixed resistor 1/10W	910 ±5% 0603	1	
0032	RD00092	SMD fixed resistor 1/10W	3.9K ±5% 0603	1	
0016	HC00473	connector-RS	2.45mm 180 °2*8P B25-2*8BG1(B)H=5mm	1	
0017	HC00397	connector(male)	10P 2.0mm 180 °	1	
0018	HC00259	connector(male)	8P 2.0mm 180 °	1	
0019	HC01128	connector(male)-RS	2*22P 2.54mm 180 °	1	
0020	HA02446	wire-RS	14P(male)-14P(female) 60mm UL1007 28AWG	2	
0021	HC00256	connector(male)	5P 2.0mm 180 °	1	
0022	HC00077	connector(male)	3P 2.5mm 180 °	2	
0023	NI01786	LED spacer support	LEDS-12 12mm	46	
0024	RA01260	fixed resistor 1/4W	120	2	
0025	RA01259	fixed resistor 1/4W	47	2	
0026	AC00603	lead free soldering bar	S100	26.59	
0027	HK10842	PC board	P-LYNX-MIX124USBMN1-BT-SMD	1	
0001	RD00059	SMD fixed resistor 1/10W	0.0 ±5% 0603	2	
0002	RD00062	SMD fixed resistor 1/10W	18 ±5% 0603	6	
0003	RD00544	SMD precise resistance 1/10W	22 ±1% 0603	2	

Rank	Part No.	Description	Specification	QTY	Remark
0004	RD00304	SMD fixed resistor 1/10W	33 \pm 5% 0603	2	
0005	RD00065	SMD fixed resistor 1/10W	47 \pm 5% 0603	2	
0006	RD00297	SMD precise resistor 1/10W	60.4 \pm 1% 0603	4	
0007	RD00275	SMD precise resistor 1/10W	110 \pm 1% 0603	2	
0008	RD00276	SMD precise resistor 1/10W	169 \pm 1% 0603	2	
0009	RD00277	SMD precise resistor 1/10W	200 \pm 1% 0603	6	
0010	RD00542	SMD precise resistance 1/10W	220 \pm 1% 0603	2	
0011	RD00074	SMD fixed resistor 1/10W	270 \pm 5% 0603	2	
0012	RD00089	SMD fixed resistor 1/10W	2.7K \pm 5% 0603	4	
0013	RD00096	SMD fixed resistor 1/10W	6.2K \pm 5% 0603	18	
0014	RD00097	SMD fixed resistor 1/10W	6.8K \pm 5% 0603	2	
0015	RD00214	SMD precise resistor 1/10W	10.0K \pm 1% 0603	4	
0016	RD00218	SMD precise resistor 1/10W	15.0K \pm 1% 0603	6	
0017	RD00306	SMD fixed resistor 1/10W	20K \pm 5% 0603	4	
0018	RD00509	SMD fixed resistor 1/10W	24K \pm 5% 0603	4	
0019	RD00353	SMD fixed resistor 1/10W	36K \pm 5% 0603	16	
0020	RD00109	SMD fixed resistor 1/10W	39K \pm 5% 0603	2	
0021	RD00111	SMD fixed resistor 1/10W	47K \pm 5% 0603	3	
0022	RE00011	SMD resistor networks 1/16W	680 *4 \pm 5% 8P 1206(0603x4)	2	
0023	RD00114	SMD fixed resistor 1/10W	68K \pm 5% 0603	20	
0024	CI00075	SMD ceramic capacitor 0603	0.1uF/50V Y5V +80,- 20%	1	
0025	CI00026	SMD ceramic capacitor 0805	0.0033uF/50V X7R \pm 10%	2	
0026	CI00116	SMD ceramic capacitor 0805	0.0039uF/50V X7R \pm 10%	2	
0027	CI00147	SMD ceramic capacitor 0805	0.0082uF/50V X7R \pm 10%	2	
0028	CI00289	SMDceramic capacitor-RS	0.012uF/50V X7R \pm 10%	4	

Rank	Part No.	Description	Specification	QTY	Remark
0029	CI00151	SMD ceramic capacitor 0805	0.015uF/50V X7R ± 10%	6	
0030	CI00097	SMD ceramic capacitor 0805	0.027uF/50V X7R ± 10%	2	
0031	CI00099	SMD ceramic capacitor 0805	0.068uF/50V X7R ± 10%	2	
0032	CI00100	SMD ceramic capacitor 0805	0.1uF/50V X7R ±10%	4	
0033	CI00305	SMD ceramic capacitor-RS	0.12uF/50V X7R ± 10%	2	
0034	CI00146	SMD ceramic capacitor 0805	0.22uF/50V X7R ±10%	6	
0035	CI00276	SMD ceramic capacitor-RS	0.47uF/25V X7R ±10%	2	
0036	CI00306	SMD ceramic capacitor-RS	1.0uF/25V X7R ±10%	2	
0037	SE00011	SMD rectifier diode	RLS4148 0.5A (LL-34)	1	
0038	SF00031	SMD transistor-RS-ACT	BC847B(SOT23)/(PHI)	18	
0039	HK10837	PC board	P-LYNX-MIX124USB MN1-AI	1	
0001	CB00248	electrolytic capacitor	2.2uF/50V 4*5mm	1	
0002	CB00190	electrolytic capacitor	4.7uF/25V 4*7mm	3	
0003	CB00194	electrolytic capacitor	47uF/25V 5*11mm	107	
0004	CB00268	electrolytic capacitor	330uF/16V 8*11mm 5mm	1	
0005	CB00255	electrolytic capacitor	1000uF/10V 8*11mm 5mm	1	
0006	HK10833	PC board	P-LYNX-MIX124USB MN1-SMD	1	
0001	CI00266	SMD ceramic capacitor-RS 0603	22PF/50V NPO ±5%	81	
0002	CI00059	SMD ceramic capacitor 0603	100PF/50V NPO ±5%	10	
0003	CI00062	SMD ceramic capacitor 0603	330PF/50V NPO ±5%	2	
0004	CI00075	SMD ceramic capacitor 0603	0.1uF/50V Y5V +80,-20%	93	
0005	RD00346	SMD fixed resistor 1/10W	56 ±5% 0603	1	
0006	RD00069	SMD fixed resistor 1/10W	120 ±5% 0603	17	
0007	RD00542	SMD precise resistance 1/10W	220 ±1% 0603	6	
0008	RD00076	SMD fixed resistor 1/10W	330 ±5% 0603	2	
0009	RD00078	SMD fixed resistor 1/10W	470 ±5% 0603	4	
0010	RD00347	SMD fixed resistor 1/10W	510 ±5% 0603	3	

Rank	Part No.	Description	Specification	QTY	Remark
0011	RD00348	SMD fixed resistor 1/10W	620 $\pm 5\%$ 0603	1	
0012	RD00083	SMD fixed resistor 1/10W	1.0K $\pm 5\%$ 0603	12	
0013	RD00351	SMD fixed resistor 1/10W	1.3K $\pm 5\%$ 0603	1	
0014	RD00084	SMD fixed resistor 1/10W	1.2K $\pm 5\%$ 0603	8	
0015	RD00085	SMD fixed resistor 1/10W	1.5K $\pm 5\%$ 0603	13	
0016	RD00086	SMD fixed resistor 1/10W	1.8K $\pm 5\%$ 0603	32	
0017	RD00087	SMD fixed resistor 1/10W	2.0K $\pm 5\%$ 0603	1	
0018	RD00088	SMD fixed resistor 1/10W	2.2K $\pm 5\%$ 0603	1	
0019	RD00089	SMD fixed resistor 1/10W	2.7K $\pm 5\%$ 0603	16	
0020	RD00093	SMD fixed resistor 1/10W	4.7K $\pm 5\%$ 0603	17	
0021	RD00094	SMD fixed resistor 1/10W	5.1K $\pm 5\%$ 0603	22	
0022	RD00095	SMD fixed resistor 1/10W	5.6K $\pm 5\%$ 0603	13	
0023	RD00097	SMD fixed resistor 1/10W	6.8K $\pm 5\%$ 0603	58	
0024	RD00099	SMD fixed resistor 1/10W	8.2K $\pm 5\%$ 0603	1	
0025	RD00214	SMD precise resistor 1/10W	10.0K $\pm 1\%$ 0603	75	
0026	RD00102	SMD fixed resistor 1/10W	12K $\pm 5\%$ 0603	20	
0027	RD00218	SMD precise resistor 1/10W	15.0K $\pm 1\%$ 0603	60	
0028	RD00368	SMD precise resistor 1/10W	16.5K $\pm 1\%$ 0603	2	
0029	RD00473	SMD precise resistor 1/10W	18.0K $\pm 1\%$ 0603	8	
0030	RD00306	SMD fixed resistor 1/10W	20K $\pm 5\%$ 0603	49	
0031	RD00105	SMD fixed resistor 1/10W	22K $\pm 5\%$ 0603	16	
0032	RD00509	SMD fixed resistor 1/10W	24K $\pm 5\%$ 0603	1	
0033	RD00329	SMD precise resistor 1/10W	30.0K $\pm 1\%$ 0603	2	
0034	RD00108	SMD fixed resistor 1/10W	33K $\pm 5\%$ 0603	4	
0035	RD00353	SMD fixed resistor 1/10W	36K $\pm 5\%$ 0603	40	

Rank	Part No.	Description	Specification	QTY	Remark
0036	RD00109	SMD fixed resistor 1/10W	39K $\pm 5\%$ 0603	6	
0037	RD00111	SMD fixed resistor 1/10W	47K $\pm 5\%$ 0603	8	
0038	RD00112	SMD fixed resistor 1/10W	56K $\pm 5\%$ 0603	8	
0039	RD00114	SMD fixed resistor 1/10W	68K $\pm 5\%$ 0603	6	
0040	RD00116	SMD fixed resistor 1/10W	100K $\pm 5\%$ 0603	4	
0041	RD00118	SMD fixed resistor 1/10W	150K $\pm 5\%$ 0603	2	
0042	RD00119	SMD fixed resistor 1/10W	220K $\pm 5\%$ 0603	17	
0043	RD00125	SMD fixed resistor 1/10W	1.0M $\pm 5\%$ 0603	16	
0044	RD00002	SMD fixed resistor 1/8W	0.0 $\pm 5\%$ 0805	1	
0045	CI00022	SMD ceramic capacitor 0805	0.001uF/50V X7R	8	
0046	CI00026	SMD ceramic capacitor 0805	0.0033uF/50V X7R $\pm 10\%$	16	
0047	CI00289	SMD ceramic capacitor-RS	0.012uF/50V X7R $\pm 10\%$	16	
0048	CI00133	SMD ceramic capacitor 0805	0.047uF/-50V X7R $\pm 0\%$	8	
0049	SE00008	SMD rectifier diode	DA204K/T-146	1	
0050	SF00039	transistor	MMBFJ112(SOT23)/(F AIRCHILD)	5	
0051	SG00210	SMD integrated circuit	LM339DT/(ST)	6	
0052	SG00122	SMD integrated circuit-RS-ACT	NJM4580M- TE3(SOP8)/(JRC)	46	
0053	SE00011	SMD rectifier diode	RLS4148 0.5A (LL-34)	10	
0054	SF00056	transistor	MMBT3904(SOT23)/(P HI)	14	
0055	SF00053	transistor	MMBT3906(SOT23)/(P HI)	3	
0056	AE00553	SenJu solder paste	M705-GRN360-K2-V 0.5KG/bottle	2.87	
0057	HB02987	PCB-RS	LYNX-MIX124 USB/UM_MN1_VER09 0227	1	
0059	HK01576	PC board	P-L12PU4-DIP	3	
0001	HC00125	MIC jack-RS	JY-6351G-02-250	4	
0002	HC00256	connector(male)	5P 2.0mm 180 °	1	
0003	HK01565	PC board	P-L12PU4-SMD	1	
0001	HB00961	PCB	L12PU4(1*6)_VER030 530	1	

Rank	Part No.	Description	Specification	QTY	Remark
0002	RD00007	SMD fixed resistor 1/8W	120 \pm 5% 0805	8	
0003	AE00553	SenJu solder paste	M705-GRN360-K2-V 0.5KG/bottle	0.005	
0004	AC00603	lead free soldering bar	S100	0.468	
0060	HK01409	PC board-RS	P-313123-DIP(AMX-140FX)	1	
0001	SC00004	crystal oscillator	16.00MHZ	1	
0002	HC00484	connector	2.54 180 2×8 P(gold-plated) 13.5/19mm	1	TIP on the copper foil side
0003	SG00193	SMD integrated circuit	SST39VF010-70n/L-8	1	
0004	HK03894	PC board-RS-ACT	P-313123-SMD(L-8)	1	
0001	HB00895	PCB	313123/2(1*6)	1	
0002	CI00075	SMD ceramic capacitor 0603	0.1uF/50V Y5V +80,-20%	13	
0003	RD00061	SMD fixed resistor 1/10W	10 \pm 5% 0603	1	
0004	RD00068	SMD fixed resistor 1/10W	100 \pm 5% 0603	8	
0005	RD00073	SMD fixed resistor 1/10W	220 \pm 5% 0603	1	
0006	RD00085	SMD fixed resistor 1/10W	1.5K \pm 5% 0603	10	
0007	RD00088	SMD fixed resistor 1/10W	2.2K \pm 5% 0603	8	
0008	RD00101	SMD fixed resistor 1/10W	10K \pm 5% 0603	3	
0009	RD00125	SMD fixed resistor 1/10W	1.0M \pm 5% 0603	1	
0010	RE00006	SMD resistor networks 1/16W	100 *4 \pm 5% 8P 1206(0603x4)	2	
0011	SE00011	SMD rectifier diode	RLS4148 0.5A (LL-34)	1	
0012	SG00068	SMD integrated circuit	74HC14DT(SO14)/(PHI)	1	
0013	SG00410	SMD integrated circuit-RS-ACT	IC41LV16256-35KG(SOJ40)/(ICSI)	1	
0014	SG00166	SMD integrated circuit	TY-2 ALTO(GMCODE:105022)	1	
0015	SG00037	SMD integrated circuit	LD1117DT33C(TO252)/(ST)	1	
0016	HC00611	IC socket (SMD)	PLCC32 (AMP S/N:822516-7)	1	
0017	SG00016	SMD integrated circuit	UDA1345TS(SSOP28)/(PHI)	1	
0018	AE00553	SenJu solder paste	M705-GRN360-K2-V 0.5KG/bottle	0.386	

Rank	Part No.	Description	Specification	QTY	Remark
0019	CI00264	SMD ceramic capacitor-RS 0603	15PF/50V NPO $\pm 5\%$	2	
0005	NE11475	label	L-8	1	
0006	AC00603	lead free soldering bar	S100	5.058	
0007	CB00166	electrolytic capacitor	100uF/16V 6*5mm	11	
0061	HK10004	PC board	P-LYNX-MIX244_PSM80WA-DIP	1	
0002	RA00022	metal-oxide-film resistor 1W	33K	1	
0003	CB00237	electrolytic capacitor	1.0uF/50V 5*11mm 2.5mm	1	
0004	CB00188	electrolytic capacitor	10uF/63V 5*11mm 2.5mm	3	
0005	CB00034	electrolytic capacitor	33uF/16V 5*11mm	1	
0006	CB00260	electrolytic capacitor	47uF/35V 5*11mm 2.5mm	1	
0007	CB00279	electrolytic capacitor	100uF/100V 10*20mm	1	
0008	CB00337	electrolytic capacitor-RS	220uF/400V 30*31mm	1	
0009	CB00064	electrolytic capacitor	470uF/16V 10*12mm	1	
0010	CB00065	electrolytic capacitor	470uF/25V 10*16mm	4	
0011	CB00079	electrolytic capacitor	2200uF/25V 13*25mm	2	
0012	CG00020	X1/Y2 capacitor	4700PF Y5V X1-400V Y2-250V	1	
0013	CG00082	X2 capacitor-RS-ACT	0.1uF/275V $\pm 20\%$ R46-KI3100-JP M1M(ARC)	2	
0014	CG00033	metal oxide varistors	B57237-S100-M	1	
0015	CG00092	metal oxide varistors-RS	CNR-14D431K/(CNR)	1	
0016	SA00130	diode-RS-ACT	1A/600V/35ns BYV26C	1	
0017	SA00004	high speed diode-RS	2A/100V BYV27-200,113	3	
0018	SA00144	diode-RS	BYV28-200-TAP(SOD64)/(VISHAY)	2	
0019	SA00093	rectifier diode	1N4148 0.5A	1	
0020	SA00222	diode-RS-ACT	2.2A/274V P6KE200A	1	
0021	SA00223	zener diode-RS-ACT	3.6W 36V KA431AZ(TO-92)	1	
0022	SB00064	transistor-RS-ACT	TIP41C(TO220)/(ST)	1	
0023	SD00074	integrated circuit	L7805CV(TO220)/(ST)	1	

Rank	Part No.	Description	Specification	QTY	Remark
0024	SD00319	integrated circuit-RS	TOP248YN(TO220)/(PI)	1	
0025	SB00012	Pohtotriode-RS-ACT	H11A817C.300/(QT)	1	
0026	SA00221	bridge rectifier	2A/600V KBP206	1	
0027	TC00424	transformer-RS	ETD29_80W_AC90-240	1	
0028	CN00235	inductance-RS	12uH(WL-333)	2	
0029	CN00153	inductance-RS-ACT	3mH UT20-H125NP	1	
0030	HC00076	connector(male)	2P 2.5mm 180 °	2	
0031	HC00082	connector(male)	8P 2.5mm 180 °	1	
0032	HC00173	connector(male)	3P 3.96mm 180 °	1	
0033	CN00228	magnetic bead-RS	GF4 RH 3.5*5*1.8	2	used with Q1's 1,3 pin
0034	MI03847	heat-sink-RS	2.9*77*30*15_V1.2	1	TOP248
0035	MI00256	heat-sink	25*15*10.6-1PIN SCL-2020	2	TIP41 , 7805
0036	NI02249	plastic washer	TW-1(TO-220)	3	TOP248,TIP41,7805
0037	NC00167	mica-RS	13*18(3.6)TO-220	3	TOP248,TIP41,7805
0038	MF00014	washer	3* 6.5*0.5t	2	fix TOP248 heat sinl
0039	MF00037	washer	3.2* 5*0.8t	3	fix TOP248,TIP41,7805
0040	MI04729	separating shade-RS	TYPHOON PS3200 24*18*25_V1.1	1	separate input inductance
0041	AC00603	lead free soldering bar	S100	3.118	
0042	HK10005	PC board	P-LYNX-MIX244_PSM80WA-SMD	1	
0001	CI00103	SMD ceramic capacitor 1206	100PF/50V NPO $\pm 5\%$	5	
0002	CI00154	SMD ceramic capacitor 1206	0.1uF/100V X7R $\pm 0\%$	12	
0003	RD00412	SMD precise resistor 1/4W	6.8 $\pm 1\%$ 1206	1	
0004	RD00597	SMD precise resistor-RS 1/4W	100 $\pm 1\%$ 1206	1	
0005	RD00400	SMD fixed resistor 1/4W	220 $\pm 5\%$ 1206	1	
0006	RD00410	SMD precise resistor 1/4W	470 $\pm 1\%$ 1206	5	
0007	RD00245	SMD precise resistor 1/4W	1.00K $\pm 1\%$ 1206	2	
0008	RD00440	SMD fixed resistor 1/8W	5.1K $\pm 5\%$ 0805	1	
0009	RD00399	SMD precise resistor 1/4W	10.0K $\pm 1\%$ 1206	9	

Rank	Part No.	Description	Specification	QTY	Remark
0010	RD00255	SMD precise resistor 1/4W	100K $\pm 1\%$ 1206	1	
0011	RD00617	SMD fixed resistor-RS 1/4W	2.0M $\pm 5\%$ 1206	1	
0012	SE00110	SMD zener diode-RS-ACT	1/2W 47V ZMM55C47 SOD80	1	
0013	HB02832	PCB-RS	LYNX-MIX244_PSM80WA_V ER080505	1	
0043	MG00196	screw	M3*8	5	
0044	CG00023	X1/Y1 capacitor	0.0022uF/250VAC Y5U	2	
0045	CG00046	X1/Y2 capacitor AY2	2200PF VDE/UL $\pm 20\%$ X1:400V~ Y2:250V~	2	
0046	SB00287	transistor-RS-ACT	2N5551(TO92)/(UTC)	1	
0062	HA01619	wire-RS	2P 220mm UL1007 24AWG	1	
0063	HA01469	wire-RS	2P 300mm UL1007 24AWG	1	
0064	HA01174	single terminal wiring CF:W146	80 green/yellow	1	
0065	HA01835	wire-RS	70mm brown L10R10	2	
0066	HA04139	wire-RS	3P 200mm UL1015 18AWG	1	
0067	HA01404	wire-RS	2P-2P 90mm UL1007 24AWG	1	
0068	HA00397	wire	330mm black L5R5	5	
0069	HA02891	wire-RS	3P-3P 400mm UL2547 28AWG	1	
0070	HA05358	wire-RS	10P-(2*10P)*4 130*4mm UL1007 24AWG	1	
0071	HA05354	wire-RS	8P-(2*8P)*4 130*4mm UL1007 24AWG	1	
0072	HA05355	wire-RS	8P-2*8P/(2*6P)*4 130*3/145/160mm UL1007	1	
0073	HA05357	wire-RS	44P-44P 620mm UL2651 28AWG PH1.27	1	
0074	NE19409	label-RS-CT	LYNX-MIX244 USB MK MIC1-4_V1.0	1	
0075	NE19408	label-RS-CT	LYNX-MIX244 USB MK MIC5-8_V1.0	1	
0076	NE19407	label-RS-CT	LYNX-MIX244 USB MK MIC9-12_V1.0	1	
0077	NE19413	label-RS-CT	LYNX-MIX244 USB MK MIC13-18_V1.0	1	

Rank	Part No.	Description	Specification	QTY	Remark
0078	NE19418	label-RS-CT	LYNX-MIX244 USB MK 1-4_V1.0	1	
0079	NE19417	label-RS-CT	LYNX-MIX244 USB MK 5-8_V1.0	1	
0080	NE19416	label-RS-CT	LYNX-MIX244 USB MK 9-12_V1.0	1	
0081	NE19419	label-RS-CT	LYNX-MIX244 USB MK 13-16_V1.0	1	
0082	NE19412	label-RS-CT	LYNX-MIX244 USB MK 1-4_V1.0	1	
0083	NE19411	label-RS-CT	LYNX-MIX244 USB MK 5-8_V1.0	1	
0084	NE19410	label-RS-CT	LYNX-MIX244 USB MK 9-12_V1.0	1	
0085	NE19414	label-RS-CT	LYNX-MIX244 USB MK 13-24_V1.0	1	
0086	NE19415	label-RS-CT	LYNX-MIX244 USB MK _V1.0	1	
0087	NE19406	label-RS-CT	LYNX-MIX244 USB MK _V1.0	1	
0002	HK10841	package	LYNX-MIX244 USB_ALTO_230V	1	
0001	NA00137	clip-chain bag	5*7	1	pack corner pad
0002	NA00859	PE bag-RS	0.04t*220*200mm_V1. 0	1	pack user's manual
0003	NA00279	clip-chain bag	0.04t*100*150mm_V1. 0	1	pack warranty card
0004	NA00912	PE bag-RS-ACT	0.05t*600*1000mm_V1 .0	1	
0005	NB06412	inner case-RS-CT	LYNX-MIX244 USB MK ALTO_V1.0	1	
0006	NE05004	label	ALTO PF_V1.2	4	
0007	NE19404	label-RS	LYNX-MIX244 USB_V1.0	4	
0008	NF00061	assurance card-RS-C	ALTO_V1.1	1	
0009	NF03280	user manual-RS	LYNX-MIX USB MK SERIES ALTO_V1.0	1	
0010	HA00861	power cord Europe 3P	LT-312+LT-501	1	
0011	NE19405	label-RS	LYNX-MIX244 USB MK _V1.0	1	
0012	HD00009	glass tube fuse	1.6A 250V 5.2*20mm CSA/S/UL/VDE	1	
0013	NI02519	self-adhere foot cushion	15.9*8.0mm(RF-006)	4	
0014	NB02474	cushion	L-12;16;20series right	1	
0015	NB02473	cushion	L-12;16;20series contrary	1	

Rank	Part No.	Description	Specification	QTY	Remark
0016	NB06413	carton-RS-CT	LYNX-MIX244 USB MK ALTO_V1.1	1	
0017	NA01022	silk wadding-RS-CT	LYNX MIX244USB 655*160*30_V1.0	2	
PF04384		MIXER	LYNX-MIX204 USB MK _ALTO_230V	1	
0001	HK10941	lead plane	LYNX-MIX204 USB MK	1	
0001	MA07947	panel-RS	LYNX-MIX244 USB MK STEREO_V1.1	1	
0002	MB06346	chassis-RS	LYNX-MIX244 USB MK STEREO_V1.0	1	
0003	MA07946	panel-RS	LYNX-MIX244 USB MK MONO_V1.0	2	
0004	MB06345	chassis-RS	LYNX-MIX244 USB MK MONO_V1.0	2	
0005	MI05060	fixed bracket-RS	LYNX-MIX244USB 58*22.5*6_V1.0	4	
0006	MI05061	fixed bracket-RS	LYNX-MIX244USB 1.0t*58*15*12_V1.0	2	
0007	MJ01400	side cover board-RS	LYNX-124USB_V1.0	1	
0008	MJ01401	side cover board-RS	LYNX-124USB_V1.0	1	
0009	HC00008	AC socket	3515 A TYPE(RF- 2004-C-4.8)	1	
0010	HC00206	BNC jack	WJ-7031(28*12.7)	1	
0011	HI00019	power switch	4P MSR-8	1	
0012	HI00171	power switch-RS	R612KKAT0F1	1	
0013	ME00015	color nut	3m/m	6	fix DSP board and front/rear panel
0014	ME00016	color nut	4m/m	1	lock ground cable
0015	MF00038	washer-RS	4* 7*1t	1	lock ground cable
0016	MF00048	washer-RS	4* 8*0.5t	1	lock ground cable
0017	MF00014	washer	3* 6.5*0.5t	1	fix separation screen
0018	ME00060	MIC jack	JY-6351G-02-250	75	lock HC00125
0019	MF00061	MIC jack	9.6* 13*0.5t	75	lock HC00125
0020	MG00377	screw	M3*16mm	8	lock right/left handle
0021	MG00036	screw	M3*4	3	fix DSP board
0022	MG00804	screw-RS-CT	M3*6*0.5PH_V1.0	36	fix front panel and PCB semifinished products
0023	MG00041	screw	M3*6	105	lock PC board and assembling
0024	MG00042	screw	M3*10	2	fix AC connector
0025	MG00580	screw	M3*10_V1.0	33	fix MIC male connector , MIC female connector and RCA connector
0026	MG00243	copper pillar	M3*5*0.5PH	3	fix DSP bozrd

Rank	Part No.	Description	Specification	QTY	Remark
0027	MG00248	copper pillar	M3*15*0.5PHdouble plane	36	lock PC board and front panel
0028	MG00707	iron pillar	5.0*M3*37 42(VI000110)_V1.0	4	fix separation screen
0029	MI05062	separating shade-RS	LYNX-MIX244USB 0.3t*138*121.5*40_V1.0	1	
0030	MJ00808	fixed clip	WL3-32T	2	
0031	ND00246	dustproof cloth-RS	0.35t*347*100mm 2016B_V1.1	1	
0032	ND00245	dustproof cloth-RS	0.35t*95.5*100mm 2016B_V1.1	2	
0033	ND00247	dustproof cloth	0.35t*100*50(2016B)_ V1.1	1	
0034	NI00252	sleeve	4*20mm	8	
0035	NI02547	handle	401*31*25mm	1	
0036	NI02548	handle	401*31*25mm	1	
0037	NI01862	key	5.5*5.5*14.5_V1.1	1	
0038	NI01863	key-RS	5.5*W10*7.5_V1.3	80	
0039	NI05634	key-RS-CT	5.5*W10*7.5 187C red_V1.0	26	
0040	NI02377	knob-RS	5.5*7.5(3.3*3.3mm)_V 1.2	31	
0041	NI02084	knob	10.5*18mm	1	MONO
0042	NI02386	konb-RS	14*13mm	2	DSP
0043	NI04004	knob	10*16.5 90 °V1.0	175	
0044	NI02692	knob cover	7*3.5 black	16	PAN、BAL
0045	NI02678	knob cover	7*3.5 534C blue	52	EQ (HI、 HI-MID、 MID、 MID-LOW、 LOW)
0046	NI02868	knob cover	7*3.5 white_V1.0	30	TRIM*16、 EQ (FREQ)*12、 PHONES*1、 CTRL RPPM*1
0047	NI04601	knob-RS	7*3.5 3298U_V1.0	38	AUX1、 AUX2、 AUX SEND1、 AUX SEND2、 STEREO AUX RETURNS1、 STERE,,O AUX RETURNS2
0048	NI04602	knob-RS	7*3.5 123U_V1.0	39	AUX3、 AUX4、 AUX SEND3、 AUX SEND4、 STEREO AUX RETURNS3、 STERE,,O AUX RETURNS4
0049	NI04042	knob	24*11.5*11_V 1.0	16	CHANNEL

Rank	Part No.	Description	Specification	QTY	Remark
0050	NI02353	knob	24*11.5*11	4	SUBGROUPS
0051	NI05472	slide key-RS	MIX 244 6*7*8 COOL GRAY 8U_V1.1	9	STEREO GRAPHIC EQ
0052	NI02352	knob	24*11.5*11	1	MAIN MIX LEVEL
0053	NI04557	insulator-RS	XM-24 0.5t*102.5*129_V1.2	2	
0054	HK10832	PC board	P-LYNX-MIX124USB USB-DIP	1	
0001	SC00003	crystal oscillator	12.000MHZ HC-49/US ±20PPM	1	
0002	HC00335	terminal for PCB	PCB-2-M3	2	
0003	HI00125	slide switch	SL20202-25Y-6mm	2	
0004	HC00754	USB socket	CU02SAH0000 90 °	1	
0005	HA00210	wire	260mm red L3R3	1	C26 positive
0006	HA05353	wire-RS	12P-8P/4P 160/125mm UL1007 24AWG	1	
0007	AC00603	lead free soldering bar	S100	1.44	
0008	HK10496	PC board	P-LYNX- MIX124UM_USBMOD -AI	1	
0001	CB00192	electrolytic capacitor	10uF/16V 4*7mm	10	
0002	HK10495	PC board	P-LYNX- MIX124UM_USBMOD -SMD	1	
0001	CI00266	SMD ceramic capacitor-RS 0603	22PF/50V NPO ±5%	2	
0002	CI00075	SMD ceramic capacitor 0603	0.1uF/50V Y5V +80,- 20%	5	
0003	RD00544	SMD precise resistance 1/10W	22 ±1% 0603	2	
0004	RD00274	SMD precise resistor 1/10W	100 ±1% 0603	4	
0005	RD00201	SMD precise resistor 1/10W	1.50K ±1% 0603	1	
0006	RD00414	SMD precise resistor 1/10W	3.90K ±1% 0603	4	
0007	RD00214	SMD precise resistor 1/10W	10.0K ±1% 0603	4	
0008	RD00353	SMD fixed resistor 1/10W	36K ±5% 0603	4	
0009	RD00306	SMD fixed resistor 1/10W	20K ±5% 0603	4	
0010	RD00125	SMD fixed resistor 1/10W	1.0M ±5% 0603	1	
0011	CI00009	SMD ceramic capacitor 0805	33PF/50V NPO	2	
0012	CI00149	SMD ceramic capacitor 0805	330PF/50V NPO ±5%	4	

Rank	Part No.	Description	Specification	QTY	Remark
0013	CI00108	SMD ceramic capacitor 0805	0.0018uF/50V NPO \pm 5%	4	
0014	CI00030	SMD ceramic capacitor 0805	1uF/16V Y5V-0805(2012)	4	
0015	RD00002	SMD fixed resistor 1/8W	0.0 \pm 5% 0805	1	
0016	SG00489	SMD integrated circuit-RS	PCM2900E(SSOP28)/(TI)	1	
0017	SG00122	SMD integrated circuit-RS-ACT	NJM4580M-TE3(SOP8)/(JRC)	2	
0018	HB02951	PCB-RS	LYNX-MIX124 USB/UM_USBMOD(2*4)_VER081024	1	
0019	AE00553	SenJu solder paste	M705-GRN360-K2-V 0.5KG/bottle	0.168	
0055	HK10831	PC board	P-LYNX-MIX124USB PU2-DIP	1	
0001	HC00321	connector(male)	14P 2.0mm 180 °	2	
0002	HC00886	connector(male)-RS	2*8P 2.0mm 180 ° (A2004WV-2*8P)	1	
0003	HC00076	connector(male)	2P 2.5mm 180 °	1	
0004	SD00007	integrated circuit	BA15218N(M5218L)(SIP8)/(ROHM)	4	
0005	HC00126	balance MIC jack-RS	JY-5042-030G female plug 180 °	2	
0006	HC00125	MIC jack-RS	JY-6351G-02-250	10	
0007	HC00403	RCA jack	SCP6873NS3232T2 4P	1	
0008	RA01262	precise resistor 1/4W	6.81K \pm 1%	4	
0009	CB00255	electrolytic capacitor	1000uF/10V 8*11mm 5mm	2	
0010	AC00603	lead free soldering bar	S100	3.82	
0011	HK10839	PC board	P-LYNX-MIX124USB PU2-AI	1	
0001	CB00238	electrolytic capacitor	0.22uF/50V 5*11mm	6	
0002	CB00194	electrolytic capacitor	47uF/25V 5*11mm	14	
0003	CB00334	electrolytic capacitor-RS	47uF/50V 6.3*11mm	4	
0004	HK10836	PC board	P-LYNX-MIX124USB PU2-SMD	1	
0001	CI00266	SMD ceramic capacitor-RS 0603	22PF/50V NPO \pm 5%	32	
0002	CI00268	SMD ceramic capacitor-RS 0603	47PF/50V NPO \pm 5%	2	
0003	CI00059	SMD ceramic capacitor 0603	100PF/50V NPO \pm 5%	16	
0004	CI00063	SMD ceramic capacitor 0603	470PF/50V NPO \pm 5%	2	

Rank	Part No.	Description	Specification	QTY	Remark
0005	CI00075	SMD ceramic capacitor 0603	0.1uF/50V Y5V +80,-20%	20	
0006	RD00298	SMD precise resistor 1/10W	47.0 \pm % 0603	4	
0007	RD00282	SMD precise resistor 1/10W	1.00K \pm % 0603	2	
0008	RD00351	SMD fixed resistor 1/10W	1.3K \pm 5% 0603	2	
0009	RD00406	SMD precise resistor 1/10W	3.60K \pm % 0603	4	
0010	RD00210	SMD precise resistor 1/10W	5.11K \pm % 0603	8	
0011	RD00214	SMD precise resistor 1/10W	10.0K \pm % 0603	30	
0012	RD00219	SMD precise resistor 1/10W	20.0K \pm % 0603	16	
0013	RD00550	SMD precise resistor 1/10W	27.0K \pm % 0603	16	
0014	RD00007	SMD fixed resistor 1/8W	120 \pm 5% 0805	8	
0015	SE00011	SMD rectifier diode	RLS4148 0.5A (LL-34)	8	
0016	SG00122	SMD integrated circuit-RS-ACT	NJM4580M-TE3(SOP8)/(JRC)	10	
0017	RD00224	SMD precise resistor 1/10W	100K \pm % 0603	8	
0018	RD00329	SMD precise resistor 1/10W	30.0K \pm % 0603	2	
0019	RD00090	SMD fixed resistor 1/10W	3.0K \pm 5% 0603	2	
0020	AE00553	SenJu solder paste	M705-GRN360-K2-V 0.5KG/bottle	0.53	
0021	HB02989	PCB-RS	LYNX-MIX124 USB/UM_PU2_VER09 0227	1	
0056	HK10830	PC board	P-LYNX-MIX124USB PU1-DIP	1	
0001	HC01128	connector(male)-RS	2*22P 2.54mm 180 °	1	
0002	HC00076	connector(male)	2P 2.5mm 180 °	1	
0003	HC00255	connector(male)	4P 2.0mm 180 °	1	
0004	HC00256	connector(male)	5P 2.0mm 180 °	1	
0005	HC00077	connector(male)	3P 2.5mm 180 °	1	
0006	HC00392	balance MIC jack-RS	JY-5030-030G 180 °	2	
0007	HC00125	MIC jack-RS	JY-6351G-02-250	33	
0008	HI00237	push-button switch-RS	2 12P KFC-D130-B(SELF-LOCK)	1	
0009	RC00359	potentiometer	W50K RD09F113A224-50K4BT(SAS1);30F-C	1	
0010	CB00194	electrolytic capacitor	47uF/25V 5*11mm	7	

Rank	Part No.	Description	Specification	QTY	Remark
0011	AC00603	lead free soldering bar	S100	4.86	
0012	HK10835	PC board	P-LYNX-MIX124USB PU1-SMD	1	
0001	RD00102	SMD fixed resistor 1/10W	12K $\pm 5\%$ 0603	1	
0002	RD00509	SMD fixed resistor 1/10W	24K $\pm 5\%$ 0603	1	
0003	RD00306	SMD fixed resistor 1/10W	20K $\pm 5\%$ 0603	4	
0004	RD00105	SMD fixed resistor 1/10W	22K $\pm 5\%$ 0603	2	
0005	RD00352	SMD fixed resistor 1/10W	3.6K $\pm 5\%$ 0603	1	
0006	RD00094	SMD fixed resistor 1/10W	5.1K $\pm 5\%$ 0603	8	
0007	CI00266	SMD ceramic capacitor-RS 0603	22PF/50V NPO $\pm 5\%$	3	
0008	CI00075	SMD ceramic capacitor 0603	0.1uF/50V Y5V +80,- 20%	4	
0009	RD00007	SMD fixed resistor 1/8W	120 $\pm 5\%$ 0805	50	
0010	SG00122	SMD integrated circuit-RS-ACT	NJM4580M- TE3(SOP8)/(JRC)	2	
0011	AE00553	SenJu solder paste	M705-GRN360-K2-V 0.5KG/bottle	0.2	
0012	HB02988	PCB-RS	LYNX-MIX124 USB/UM_PU1_VER09 0227	1	
0057	HK10829	PC board	P-LYNX-MIX124USB MONO-DIP	3	
0001	HC01127	connector(male)-RS	2*6P 2.0mm 180 ° (A2004WV-2*6P)	1	
0002	HC00126	balance MIC jack-RS	JY-5042-030G female plug 180 °	4	
0003	HC00125	MIC jack-RS	JY-6351G-02-250	8	
0004	HI00236	push-button switch- RS	2 6P KFC-D85- C(SELF-LOCK)	24	
0005	HI00237	push-button switch- RS	2 12P KFC-D130- B(SELF-LOCK)	4	
0006	SA00053	L.E.D	3 round(red)long foot 26mm	8	
0007	SA00054	L.E.D	3m/m round(yellow)long foot 26	4	
0008	SA00052	L.E.D	3 round(green)long foot 26	4	
0009	RC00284	slide potentiometer	D10K RF6011YP600F- 10KD(SAS1)	4	

Rank	Part No.	Description	Specification	QTY	Remark
0010	RC00672	potentiometer-RS	B50K XV09213YNPV30F- 1B50K C.C	12	
0011	RC00703	potentiometer-RS	W50K XV09213YNPV30F- 4BP50K CC	20	
0012	RC00671	potentiometer-RS	C500K XV012313YGPV30F- 15C500K C.C	4	
0013	RC00727	potentiometer-RS	Z10K XV09213YNPV30F914 Z10K	4	
0014	HA05356	wire-RS	15P 30mm UL2651 26AWG	2	
0015	HA02188	wire-RS	5P-5P 140mm UL1007 28AWG	1	
0016	HC00887	connector(male)-RS	2*10P 2.0mm 180 ° (A2004WV-2*10P)	1	
0017	HC00886	connector(male)-RS	2*8P 2.0mm 180 ° (A2004WV-2*8P)	1	
0018	NI01786	LED spacer support	LEDS-12 12mm	16	
0019	RA01262	precise resistor 1/4W	6.81K ±1%	8	
0020	AC00603	lead free soldering bar	S100	14.17	
0021	HK10838	PC board	P-LYNX-MIX124USB MONO-AI	1	
0001	CB00255	electrolytic capacitor	1000uF/10V 8*11mm 5mm	4	
0002	CB00238	electrolytic capacitor	0.22uF/50V 5*11mm	12	
0003	CB00242	electrolytic capacitor	22uF/35V 5*11mm	8	
0004	CB00194	electrolytic capacitor	47uF/25V 5*11mm	24	
0005	CB00334	electrolytic capacitor- RS	47uF/50V 6.3*11mm	8	
0006	HK10834	PC board	P-LYNX-MIX124USB MONO-SMD	1	
0001	CI00075	SMD ceramic capacitor 0603	0.1uF/50V Y5V +80,- 20%	28	
0002	CI00063	SMD ceramic capacitor 0603	470PF/50V NPO ±5 %	12	
0003	CI00268	SMD ceramic capacitor-RS 0603	47PF/50V NPO ±5 %	4	
0004	CI00266	SMD ceramic capacitor-RS 0603	22PF/50V NPO ±5 %	28	
0005	RD00059	SMD fixed resistor 1/10W	0.0 ±5% 0603	4	
0006	RD00062	SMD fixed resistor 1/10W	18 ±5% 0603	4	

Rank	Part No.	Description	Specification	QTY	Remark
0007	RD00298	SMD precise resistor 1/10W	47.0 \pm 5% 0603	8	
0008	RD00069	SMD fixed resistor 1/10W	120 \pm 5% 0603	4	
0009	RD00083	SMD fixed resistor 1/10W	1.0K \pm 5% 0603	4	
0010	RD00351	SMD fixed resistor 1/10W	1.3K \pm 5% 0603	4	
0011	RD00085	SMD fixed resistor 1/10W	1.5K \pm 5% 0603	12	
0012	RD00090	SMD fixed resistor 1/10W	3.0K \pm 5% 0603	4	
0013	RD00406	SMD precise resistor 1/10W	3.60K \pm 1% 0603	8	
0014	RD00092	SMD fixed resistor 1/10W	3.9K \pm 5% 0603	4	
0015	RD00093	SMD fixed resistor 1/10W	4.7K \pm 5% 0603	12	
0016	RD00210	SMD precise resistor 1/10W	5.11K \pm 1% 0603	36	
0017	RD00095	SMD fixed resistor 1/10W	5.6K \pm 5% 0603	8	
0018	RD00097	SMD fixed resistor 1/10W	6.8K \pm 5% 0603	12	
0019	RD00102	SMD fixed resistor 1/10W	12K \pm 5% 0603	4	
0020	RD00219	SMD precise resistor 1/10W	20.0K \pm 1% 0603	12	
0021	RD00105	SMD fixed resistor 1/10W	22K \pm 5% 0603	4	
0022	RD00509	SMD fixed resistor 1/10W	24K \pm 5% 0603	4	
0023	RD00329	SMD precise resistor 1/10W	30.0K \pm 1% 0603	4	
0024	RD00353	SMD fixed resistor 1/10W	36K \pm 5% 0603	4	
0025	RD00371	SMD precise resistor 1/10W	51.1K \pm 1% 0603	8	
0026	RD00114	SMD fixed resistor 1/10W	68K \pm 5% 0603	4	
0027	RD00125	SMD fixed resistor 1/10W	1.0M \pm 5% 0603	4	
0028	RD00214	SMD precise resistor 1/10W	10.0K \pm 1% 0603	12	
0029	RD00334	SMD precise resistor 1/10W	11.0K \pm 1% 0603	8	
0030	RD00218	SMD precise resistor 1/10W	15.0K \pm 1% 0603	36	
0031	CI00098	SMD ceramic capacitor 0805	0.033uF/50V X7R \pm 10%	8	

Rank	Part No.	Description	Specification	QTY	Remark
0032	SE00011	SMD rectifier diode	RLS4148 0.5A (LL-34)	20	
0033	SG00122	SMD integrated circuit-RS-ACT	NJM4580M-TE3(SOP8)/(JRC)	14	
0034	SF00056	transistor	MMBT3904(SOT23)/(PHI)	12	
0035	RD00098	SMD fixed resistor 1/10W	7.5K \pm 5% 0603	8	
0036	CI00023	SMD ceramic capacitor 0805	0.0022uF NPO \pm 5% -50V	4	
0037	CI00026	SMD ceramic capacitor 0805	0.0033uF/50V X7R \pm 10%	4	
0038	CI00275	SMD ceramic capacitor-RS 0805	0.0056uF/50V X7R \pm 10%	8	
0039	AE00553	SenJu solder paste	M705-GRN360-K2-V 0.5KG/bottle	1.21	
0040	HB02990	PCB-RS	LYNX-MIX124 USB/UM_MONO1_VE R090227	1	
0058	HK10828	PC board	P-LYNX-MIX124USB MN1-DIP	1	
0001	HI00236	push-button switch-RS	2 6P KFC-D85-C(SELF-LOCK)	38	
0002	HI00238	push-button switch-RS	2 6P KFC-D85-D(NON-LOCK)	1	
0003	HI00237	push-button switch-RS	2 12P KFC-D130-B(SELF-LOCK)	14	
0004	HI00161	relay	RY-5W-K,5V	1	
0005	HI00195	rotary switch-RS-ACT	SDB161PVB15.5F-1-4-16-16PC	2	
0006	SA00053	L.E.D	3 round(red)long foot 26mm	14	
0007	SA00054	L.E.D	3m/m round(yellow)long foot 26	6	
0008	SA00052	L.E.D	3 round(green)long foot 26	26	
0009	RC00284	slide potentiometer	D10K RF6011YP600F-10KD(SAS1)	4	
0010	RC00285	slide potentiometer-dual unit	D10K RF60112P600G-10KD*2(SAS1)	5	
0011	RC00669	potentiometer-RS	B50K XV012313YGPV30F-3B50K C.C	16	
0012	RC00703	potentiometer-RS	W50K XV09213YNPV30F-4BP50K CC	28	

Rank	Part No.	Description	Specification	QTY	Remark
0013	RC00670	potentiometer-RS	W50K XV012313YGPV30F- 4B50K C.C	11	
0014	RC00315	slide potentiometer	W100K RA3022- 202-15DA-W100K-C	9	
0015	HK07637	PC board	P-DSP-PRE- DIP(APM120)	1	
0001	HC00697	connector	2.0 90 °16P(gold- pated)2.5/9.5mm 2mm	1	
0002	AC00603	lead free soldering bar	S100	0.4	
0003	HK07638	PC board	P-DSP-PRE- SMD(APM120)	1	
0001	HB01916	PCB-RS	DSP- PRE(1*10)_VER07031 6	1	
0002	SG00306	SMD integrated circuit	LM393DR(TI)/(MEXIC O)	1	
0003	SG00469	SMD integrated circuit-RS	SN74HC109DR(SO16)/ (TI)	1	
0004	SG00068	SMD integrated circuit	74HC14DT(SO14)/(PHI)	1	
0005	SF00056	transistor	MMBT3904(SOT23)/(P HI)	1	
0006	RD00068	SMD fixed resistor 1/10W	100 ±5% 0603	2	
0007	SE00007	SMD rectifier diode	RB400D(D3A)	1	
0008	SE00009	SMD rectifier diode- RS	DAN202K/T-146	1	
0009	SE00028	SMD rectifier diode- RS-ACT	BAS316,115	2	
0010	RD00059	SMD fixed resistor 1/10W	0.0 ±5% 0603	1	
0011	RD00083	SMD fixed resistor 1/10W	1.0K ±5% 0603	1	
0012	RD00099	SMD fixed resistor 1/10W	8.2K ±5% 0603	2	
0013	RD00101	SMD fixed resistor 1/10W	10K ±5% 0603	14	
0014	RD00093	SMD fixed resistor 1/10W	4.7K ±5% 0603	1	
0015	RD00098	SMD fixed resistor 1/10W	7.5K ±5% 0603	1	
0016	RD00111	SMD fixed resistor 1/10W	47K ±5% 0603	1	
0017	RD00125	SMD fixed resistor 1/10W	1.0M ±5% 0603	1	
0018	RD00124	SMD fixed resistor 1/10W	820K ±5% 0603	1	

Rank	Part No.	Description	Specification	QTY	Remark
0019	RD00126	SMD fixed resistor 1/10W	2.2M \pm 5% 0603	1	
0020	CI00129	SMD ceramic capacitor 0603	0.0015uF/50V X7R \pm 10%	2	
0021	CL00002	SMD tantalum capacitor-RS-ACT	1.0uF/16V case A	2	
0022	CI00053	SMD ceramic capacitor 0603	33PF/50V C0G \pm 5%(C1608C0G1H330JT)/TDK	2	
0023	CL00006	SMD tantalum capacitor-RS-ACT	10uF/16V case B2	2	
0024	CI00051	SMD ceramic capacitor 0603	22PF/50V C0G \pm 5%(C1608C0G1H220JT)/TDK	4	
0025	CI00075	SMD ceramic capacitor 0603	0.1uF/50V Y5V +80,-20%	8	
0026	SE00085	SMD zener diode-RS	1/2W 2.4V ZMM55-C2V4	2	
0027	AE00553	SenJu solder paste	M705-GRN360-K2-V 0.5KG/bottle	0.124	
0028	SG00243	SMD integrated circuit	NE555DR(SO8)/(TI)	1	
0029	SG00122	SMD integrated circuit-RS-ACT	NJM4580M-TE3(SOP8)/(JRC)	3	
0030	RD00306	SMD fixed resistor 1/10W	20K \pm 5% 0603	2	
0031	RD00349	SMD fixed resistor 1/10W	910 \pm 5% 0603	1	
0032	RD00092	SMD fixed resistor 1/10W	3.9K \pm 5% 0603	1	
0016	HC00473	connector-RS	2.45mm 180 \circ 2*8P B25-2*8BG1(B)H=5mm	1	
0017	HC00397	connector(male)	10P 2.0mm 180 \circ	1	
0018	HC00259	connector(male)	8P 2.0mm 180 \circ	1	
0019	HC01128	connector(male)-RS	2*22P 2.54mm 180 \circ	1	
0020	HA02446	wire-RS	14P(male)-14P(female) 60mm UL1007 28AWG	2	
0021	HC00256	connector(male)	5P 2.0mm 180 \circ	1	
0022	HC00077	connector(male)	3P 2.5mm 180 \circ	2	
0023	NI01786	LED spacer support	LEDS-12 12mm	46	
0024	RA01260	fixed resistor 1/4W	120	2	
0025	RA01259	fixed resistor 1/4W	47	2	
0026	AC00603	lead free soldering bar	S100	26.59	
0027	HK10842	PC board	P-LYNX-MIX124USBMN1-BT-SMD	1	

Rank	Part No.	Description	Specification	QTY	Remark
0001	RD00059	SMD fixed resistor 1/10W	0.0 $\pm 5\%$ 0603	2	
0002	RD00062	SMD fixed resistor 1/10W	18 $\pm 5\%$ 0603	6	
0003	RD00544	SMD precise resistance 1/10W	22 $\pm 1\%$ 0603	2	
0004	RD00304	SMD fixed resistor 1/10W	33 $\pm 5\%$ 0603	2	
0005	RD00065	SMD fixed resistor 1/10W	47 $\pm 5\%$ 0603	2	
0006	RD00297	SMD precise resistor 1/10W	60.4 $\pm 1\%$ 0603	4	
0007	RD00275	SMD precise resistor 1/10W	110 $\pm 1\%$ 0603	2	
0008	RD00276	SMD precise resistor 1/10W	169 $\pm 1\%$ 0603	2	
0009	RD00277	SMD precise resistor 1/10W	200 $\pm 1\%$ 0603	6	
0010	RD00542	SMD precise resistance 1/10W	220 $\pm 1\%$ 0603	2	
0011	RD00074	SMD fixed resistor 1/10W	270 $\pm 5\%$ 0603	2	
0012	RD00089	SMD fixed resistor 1/10W	2.7K $\pm 5\%$ 0603	4	
0013	RD00096	SMD fixed resistor 1/10W	6.2K $\pm 5\%$ 0603	18	
0014	RD00097	SMD fixed resistor 1/10W	6.8K $\pm 5\%$ 0603	2	
0015	RD00214	SMD precise resistor 1/10W	10.0K $\pm 1\%$ 0603	4	
0016	RD00218	SMD precise resistor 1/10W	15.0K $\pm 1\%$ 0603	6	
0017	RD00306	SMD fixed resistor 1/10W	20K $\pm 5\%$ 0603	4	
0018	RD00509	SMD fixed resistor 1/10W	24K $\pm 5\%$ 0603	4	
0019	RD00353	SMD fixed resistor 1/10W	36K $\pm 5\%$ 0603	16	
0020	RD00109	SMD fixed resistor 1/10W	39K $\pm 5\%$ 0603	2	
0021	RD00111	SMD fixed resistor 1/10W	47K $\pm 5\%$ 0603	3	
0022	RE00011	SMD resistor networks 1/16W	680 *4 $\pm 5\%$ 8P 1206(0603x4)	2	
0023	RD00114	SMD fixed resistor 1/10W	68K $\pm 5\%$ 0603	20	
0024	CI00075	SMD ceramic capacitor 0603	0.1uF/50V Y5V +80,- 20%	1	
0025	CI00026	SMD ceramic capacitor 0805	0.0033uF/50V X7R \pm 10%	2	

Rank	Part No.	Description	Specification	QTY	Remark
0026	CI00116	SMD ceramic capacitor 0805	0.0039uF/50V X7R ± 10%	2	
0027	CI00147	SMD ceramic capacitor 0805	0.0082uF/50V X7R ± 10%	2	
0028	CI00289	SMD ceramic capacitor-RS	0.012uF/50V X7R ± 10%	4	
0029	CI00151	SMD ceramic capacitor 0805	0.015uF/50V X7R ± 10%	6	
0030	CI00097	SMD ceramic capacitor 0805	0.027uF/50V X7R ± 10%	2	
0031	CI00099	SMD ceramic capacitor 0805	0.068uF/50V X7R ± 10%	2	
0032	CI00100	SMD ceramic capacitor 0805	0.1uF/50V X7R ±0%	4	
0033	CI00305	SMD ceramic capacitor-RS	0.12uF/50V X7R ± 10%	2	
0034	CI00146	SMD ceramic capacitor 0805	0.22uF/50V X7R ±0%	6	
0035	CI00276	SMD ceramic capacitor-RS	0.47uF/25V X7R ±0%	2	
0036	CI00306	SMD ceramic capacitor-RS	1.0uF/25V X7R ±0%	2	
0037	SE00011	SMD rectifier diode	RLS4148 0.5A (LL-34)	1	
0038	SF00031	SMD transistor-RS-ACT	BC847B(SOT23)/(PHI)	18	
0039	HK10837	PC board	P-LYNX-MIX124USB MN1-AI	1	
0001	CB00248	electrolytic capacitor	2.2uF/50V 4*5mm	1	
0002	CB00190	electrolytic capacitor	4.7uF/25V 4*7mm	3	
0003	CB00194	electrolytic capacitor	47uF/25V 5*11mm	107	
0004	CB00268	electrolytic capacitor	330uF/16V 8*11mm 5mm	1	
0005	CB00255	electrolytic capacitor	1000uF/10V 8*11mm 5mm	1	
0006	HK10833	PC board	P-LYNX-MIX124USB MN1-SMD	1	
0001	CI00266	SMD ceramic capacitor-RS 0603	22PF/50V NPO ±5%	81	
0002	CI00059	SMD ceramic capacitor 0603	100PF/50V NPO ±5%	10	
0003	CI00062	SMD ceramic capacitor 0603	330PF/50V NPO ±5%	2	
0004	CI00075	SMD ceramic capacitor 0603	0.1uF/50V Y5V +80,-20%	93	
0005	RD00346	SMD fixed resistor 1/10W	56 ±5% 0603	1	
0006	RD00069	SMD fixed resistor 1/10W	120 ±5% 0603	17	
0007	RD00542	SMD precise resistance 1/10W	220 ±1% 0603	6	

Rank	Part No.	Description	Specification	QTY	Remark
0008	RD00076	SMD fixed resistor 1/10W	330 $\pm 5\%$ 0603	2	
0009	RD00078	SMD fixed resistor 1/10W	470 $\pm 5\%$ 0603	4	
0010	RD00347	SMD fixed resistor 1/10W	510 $\pm 5\%$ 0603	3	
0011	RD00348	SMD fixed resistor 1/10W	620 $\pm 5\%$ 0603	1	
0012	RD00083	SMD fixed resistor 1/10W	1.0K $\pm 5\%$ 0603	12	
0013	RD00351	SMD fixed resistor 1/10W	1.3K $\pm 5\%$ 0603	1	
0014	RD00084	SMD fixed resistor 1/10W	1.2K $\pm 5\%$ 0603	8	
0015	RD00085	SMD fixed resistor 1/10W	1.5K $\pm 5\%$ 0603	13	
0016	RD00086	SMD fixed resistor 1/10W	1.8K $\pm 5\%$ 0603	32	
0017	RD00087	SMD fixed resistor 1/10W	2.0K $\pm 5\%$ 0603	1	
0018	RD00088	SMD fixed resistor 1/10W	2.2K $\pm 5\%$ 0603	1	
0019	RD00089	SMD fixed resistor 1/10W	2.7K $\pm 5\%$ 0603	16	
0020	RD00093	SMD fixed resistor 1/10W	4.7K $\pm 5\%$ 0603	17	
0021	RD00094	SMD fixed resistor 1/10W	5.1K $\pm 5\%$ 0603	22	
0022	RD00095	SMD fixed resistor 1/10W	5.6K $\pm 5\%$ 0603	13	
0023	RD00097	SMD fixed resistor 1/10W	6.8K $\pm 5\%$ 0603	58	
0024	RD00099	SMD fixed resistor 1/10W	8.2K $\pm 5\%$ 0603	1	
0025	RD00214	SMD precise resistor 1/10W	10.0K $\pm 1\%$ 0603	75	
0026	RD00102	SMD fixed resistor 1/10W	12K $\pm 5\%$ 0603	20	
0027	RD00218	SMD precise resistor 1/10W	15.0K $\pm 1\%$ 0603	60	
0028	RD00368	SMD precise resistor 1/10W	16.5K $\pm 1\%$ 0603	2	
0029	RD00473	SMD precise resistor 1/10W	18.0K $\pm 1\%$ 0603	8	
0030	RD00306	SMD fixed resistor 1/10W	20K $\pm 5\%$ 0603	49	
0031	RD00105	SMD fixed resistor 1/10W	22K $\pm 5\%$ 0603	16	
0032	RD00509	SMD fixed resistor 1/10W	24K $\pm 5\%$ 0603	1	

Rank	Part No.	Description	Specification	QTY	Remark
0033	RD00329	SMD precise resistor 1/10W	30.0K \pm 1% 0603	2	
0034	RD00108	SMD fixed resistor 1/10W	33K \pm 5% 0603	4	
0035	RD00353	SMD fixed resistor 1/10W	36K \pm 5% 0603	40	
0036	RD00109	SMD fixed resistor 1/10W	39K \pm 5% 0603	6	
0037	RD00111	SMD fixed resistor 1/10W	47K \pm 5% 0603	8	
0038	RD00112	SMD fixed resistor 1/10W	56K \pm 5% 0603	8	
0039	RD00114	SMD fixed resistor 1/10W	68K \pm 5% 0603	6	
0040	RD00116	SMD fixed resistor 1/10W	100K \pm 5% 0603	4	
0041	RD00118	SMD fixed resistor 1/10W	150K \pm 5% 0603	2	
0042	RD00119	SMD fixed resistor 1/10W	220K \pm 5% 0603	17	
0043	RD00125	SMD fixed resistor 1/10W	1.0M \pm 5% 0603	16	
0044	RD00002	SMD fixed resistor 1/8W	0.0 \pm 5% 0805	1	
0045	CI00022	SMD ceramic capacitor 0805	0.001uF/50V X7R	8	
0046	CI00026	SMD ceramic capacitor 0805	0.0033uF/50V X7R \pm 10%	16	
0047	CI00289	SMD ceramic capacitor-RS	0.012uF/50V X7R \pm 10%	16	
0048	CI00133	SMD ceramic capacitor 0805	0.047uF/-50V X7R \pm 0 %	8	
0049	SE00008	SMD rectifier diode	DA204K/T-146	1	
0050	SF00039	transistor	MMBFJ112(SOT23)/(F AIRCHILD)	5	
0051	SG00210	SMD integrated circuit	LM339DT/(ST)	6	
0052	SG00122	SMD integrated circuit-RS-ACT	NJM4580M- TE3(SOP8)/(JRC)	46	
0053	SE00011	SMD rectifier diode	RLS4148 0.5A (LL-34)	10	
0054	SF00056	transistor	MMBT3904(SOT23)/(P HI)	14	
0055	SF00053	transistor	MMBT3906(SOT23)/(P HI)	3	
0056	AE00553	SenJu solder paste	M705-GRN360-K2-V 0.5KG/bottle	2.87	
0057	HB02987	PCB-RS	LYNX-MIX124 USB/UM_MN1_VER09 0227	1	
0059	HK01576	PC board	P-L12PU4-DIP	2	

Rank	Part No.	Description	Specification	QTY	Remark
0001	HC00125	MIC jack-RS	JY-6351G-02-250	4	
0002	HC00256	connector(male)	5P 2.0mm 180 °	1	
0003	HK01565	PC board	P-L12PU4-SMD	1	
0001	HB00961	PCB	L12PU4(1*6)_VER030 530	1	
0002	RD00007	SMD fixed resistor 1/8W	120 ±5% 0805	8	
0003	AE00553	SenJu solder paste	M705-GRN360-K2-V 0.5KG/bottle	0.005	
0004	AC00603	lead free soldering bar	S100	0.468	
0060	HK01409	PC board-RS	P-313123-DIP(AMX- 140FX)	1	
0001	SC00004	crystal oscillator	16.00MHZ	1	
0002	HC00484	connector	2.54 180 °2*8P(gold- plated) 13.5/19mm	1	TIP on copper foil side
0003	SG00193	SMD integrated circuit	SST39VF010-70n/L-8	1	
0004	HK03894	PC board-RS-ACT	P-313123-SMD(L-8)	1	
0001	HB00895	PCB	313123/2(1*6)	1	
0002	CI00075	SMD ceramic capacitor 0603	0.1uF/50V Y5V +80,- 20%	13	
0003	RD00061	SMD fixed resistor 1/10W	10 ±5% 0603	1	
0004	RD00068	SMD fixed resistor 1/10W	100 ±5% 0603	8	
0005	RD00073	SMD fixed resistor 1/10W	220 ±5% 0603	1	
0006	RD00085	SMD fixed resistor 1/10W	1.5K ±5% 0603	10	
0007	RD00088	SMD fixed resistor 1/10W	2.2K ±5% 0603	8	
0008	RD00101	SMD fixed resistor 1/10W	10K ±5% 0603	3	
0009	RD00125	SMD fixed resistor 1/10W	1.0M ±5% 0603	1	
0010	RE00006	SMD resistor networks 1/16W	100 *4 ±5% 8P 1206(0603x4)	2	
0011	SE00011	SMD rectifier diode	RLS4148 0.5A (LL-34)	1	
0012	SG00068	SMD integrated circuit	74HC14DT(SO14)/(PHI)	1	
0013	SG00410	SMD integrated circuit-RS-ACT	IC41LV16256- 35KG(SOJ40)/(ICSI)	1	
0014	SG00166	SMD integrated circuit	TY-2 ALTO(GMCODE:1050 22)	1	
0015	SG00037	SMD integrated circuit	LD1117DT33C(TO252) /(ST)	1	
0016	HC00611	IC socket (SMD)	PLCC32 (AMP S/N:822516-7)	1	

Rank	Part No.	Description	Specification	QTY	Remark
0017	SG00016	SMD integrated circuit	UDA1345TS(SSOP28)/(PHI)	1	
0018	AE00553	SenJu solder paste	M705-GRN360-K2-V 0.5KG/bottle	0.386	
0019	CI00264	SMD ceramic capacitor-RS 0603	15PF/50V NPO $\pm 5\%$	2	
0005	NE11475	label	L-8	1	
0006	AC00603	lead free soldering bar	S100	5.058	
0007	CB00166	electrolytic capacitor	100uF/16V 6*5mm	11	
0061	HK10004	PC board	P-LYNX-MIX244_PSM80WA-DIP	1	
0001	HA01935	jump	12.5mm	3	
0002	RA00022	metal-oxide-film resistor 1W	33K	1	
0003	CB00237	electrolytic capacitor	1.0uF/50V 5*11mm 2.5mm	1	
0004	CB00188	electrolytic capacitor	10uF/63V 5*11mm 2.5mm	3	
0005	CB00034	electrolytic capacitor	33uF/16V 5*11mm	1	
0006	CB00260	electrolytic capacitor	47uF/35V 5*11mm 2.5mm	1	
0007	CB00279	electrolytic capacitor	100uF/100V 10*20mm	1	
0008	CB00337	electrolytic capacitor-RS	220uF/400V 30*31mm	1	
0009	CB00064	electrolytic capacitor	470uF/16V 10*12mm	1	
0010	CB00065	electrolytic capacitor	470uF/25V 10*16mm	4	
0011	CB00079	electrolytic capacitor	2200uF/25V 13*25mm	2	
0012	CG00020	X1/Y2 capacitor	4700PF Y5V X1-400V Y2-250V	1	
0013	CG00082	X2 capacitor-RS-ACT	0.1uF/275V $\pm 20\%$ R46-KI3100-JP M1M(ARC)	2	
0014	CG00033	metal oxide varistors	B57237-S100-M	1	
0015	CG00092	metal oxide varistors-RS	CNR-14D431K/(CNR)	1	
0016	SA00130	diode-RS-ACT	1A/600V/35ns BYV26C	1	
0017	SA00004	high speed diode-RS	2A/100V BYV27-200,113	3	
0018	SA00144	diode-RS	BYV28-200-TAP(SOD64)/(VISHAY)	2	
0019	SA00093	rectifier diode	1N4148 0.5A	1	
0020	SA00222	diode-RS-ACT	2.2A/274V P6KE200A	1	

Rank	Part No.	Description	Specification	QTY	Remark
0021	SA00223	zener diode-RS-ACT	3.6W 36V KA431AZ(TO-92)	1	
0022	SB00064	transistor-RS-ACT	TIP41C(TO220)/(ST)	1	
0023	SD00074	integrated circuit	L7805CV(TO220)/(ST)	1	
0024	SD00319	integrated circuit-RS	TOP248YN(TO220)/(PI)	1	
0025	SB00012	Pohtotriode-RS-ACT	H11A817C.300/(QT)	1	
0026	SA00221	bridge rectifier	2A/600V KBP206	1	
0027	TC00424	transformer-RS	ETD29_80W_AC90- 240	1	
0028	CN00235	inductance-RS	12uH(WL-333)	2	
0029	CN00153	inductance-RS-ACT	3mH UT20-H125NP	1	
0030	HC00076	connector(male)	2P 2.5mm 180 °	2	
0031	HC00082	connector(male)	8P 2.5mm 180 °	1	
0032	HC00173	connector(male)	3P 3.96mm 180 °	1	
0033	CN00228	magnetic bead-RS	GF4 RH 3.5*5*1.8	2	used with Q1's 1,3 pin
0034	MI03847	heat-sink-RS	2.9*77*30*15_V1.2	1	TOP248
0035	MI00256	heat-sink	25*15*10.6-1PIN SCL- 2020	2	TIP41 , 7805
0036	NI02249	plastic washer	TW-1(TO-220)	3	TOP248,TIP41,7805
0037	NC00167	mica-RS	13*18(3.6)TO-220	3	TOP248,TIP41,7805
0038	MF00014	washer	3* 6.5*0.5t	2	fix TOP248 heat sinl
0039	MF00037	washer	3.2* 5*0.8t	3	fix TOP248,TIP41,7805
0040	MI04729	separating shade-RS	TYPHOON PS3200 24*18*25_V1.1	1	separate input inductor
0041	AC00603	lead free soldering bar	S100	3.118	
0042	HK10005	PC board	P-LYNX- MIX244_PSM80WA- SMD	1	
0001	CI00103	SMD ceramic capacitor 1206	100PF/50V NPO ±5%	5	
0002	CI00154	SMD ceramic capacitor 1206	0.1uF/100V X7R ±10%	12	
0003	RD00412	SMD precise resistor 1/4W	6.8 ±1% 1206	1	
0004	RD00597	SMD precise resistor- RS 1/4W	100 ±1% 1206	1	
0005	RD00400	SMD fixed resistor 1/4W	220 ±5% 1206	1	
0006	RD00410	SMD precise resistor 1/4W	470 ±1% 1206	5	
0007	RD00245	SMD precise resistor 1/4W	1.00K ±1% 1206	2	

Rank	Part No.	Description	Specification	QTY	Remark
0008	RD00440	SMD fixed resistor 1/8W	5.1K $\pm 5\%$ 0805	1	
0009	RD00399	SMD precise resistor 1/4W	10.0K $\pm 1\%$ 1206	9	
0010	RD00255	SMD precise resistor 1/4W	100K $\pm 1\%$ 1206	1	
0011	RD00617	SMD fixed resistor- RS 1/4W	2.0M $\pm 5\%$ 1206	1	
0012	SE00110	SMD zener diode- RS-ACT	1/2W 47V ZMM55C47 SOD80	1	
0013	HB02832	PCB-RS	LYNX- MIX244_PSM80WA_V ER080505	1	
0043	MG00196	screw	M3*8	5	
0044	CG00023	X1/Y1 capacitor	0.0022uF/250VAC Y5U	2	
0045	CG00046	X1/Y2 capacitor AY2	2200PF VDE/UL $\pm 20\%$ X1:400V~ Y2:250V~	2	
0046	SB00287	transistor-RS-ACT	2N5551(TO92)/(UTC)	1	
0062	HA01619	wire-RS	2P 220mm UL1007 24AWG	1	
0063	HA01469	wire-RS	2P 300mm UL1007 24AWG	1	
0064	HA01174	single terminal wiring CF:W146	80 green/yellow	1	
0065	HA01835	wire-RS	70mm brown L10R10	2	
0066	HA04139	wire-RS	3P 200mm UL1015 18AWG	1	
0067	HA01404	wire-RS	2P-2P 90mm UL1007 24AWG	1	
0068	HA00397	wire	330mm black L5R5	5	
0069	HA02891	wire-RS	3P-3P 400mm UL2547 28AWG	1	
0070	HA05364	wire-RS	10P-(2*10P)*3 130*3mm UL1007 24AWG	1	
0071	HA05360	wire-RS	8P-(2*8P)*3 130*3mm UL1007 24AWG	1	
0072	HA05362	wire-RS	8P-2*8P/(2*6P)*2 130/145/160mm UL1007	1	
0073	HA05357	wire-RS	44P-44P 620mm UL2651 28AWG PH1.27	1	
0074	NE19409	label-RS-CT	LYNX-MIX244 USB MK MIC1-4_V1.0	1	
0075	NE19408	label-RS-CT	LYNX-MIX244 USB MK MIC5-8_V1.0	1	

Rank	Part No.	Description	Specification	QTY	Remark
0076	NE19436	label-RS-CT	LYNX-MIX204 USB MK MIC9-14_V1.0	1	
0077	NE19418	label-RS-CT	LYNX-MIX244 USB MK 1-4_V1.0	1	
0078	NE19417	label-RS-CT	LYNX-MIX244 USB MK 5-8_V1.0	1	
0079	NE19416	label-RS-CT	LYNX-MIX244 USB MK 9-12_V1.0	1	
0080	NE19412	label-RS-CT	LYNX-MIX244 USB MK 1-4_V1.0	1	
0081	NE19411	label-RS-CT	LYNX-MIX244 USB MK 5-8_V1.0	1	
0082	NE19439	label-RS-CT	LYNX-MIX204 USB MK 9-20_V1.0	1	
0083	NE19442	label-RS-CT	LYNX-MIX204 USB MK _V1.0	1	
0084	NE19433	label-RS-CT	LYNX-MIX204 USB MK _V1.0	1	
0002	HK10942	package	LYNX-MIX204 USB MK	1	
0001	NB02473	cushion	L-12;16;20series contrary	1	
0002	NB02474	cushion	L-12;16;20series right	1	
0003	NA00137	clip-chain bag	5*7	1	pack corner pad
0004	NA00859	PE bag-RS	0.04t*220*200mm_V1. 0	1	pack user's manual
0005	NA00279	clip-chain bag	0.04t*100*150mm_V1. 0	1	pack warranty card
0006	NA00912	PE bag-RS-ACT	0.05t*600*1000mm_V1 .0	1	
0007	NB06419	inner case-RS-CT	LYNX-MIX204 USB MK ALTO_V1.0	1	
0008	NB06420	carton-RS-CT	LYNX-MIX204 USB MK ALTO_V1.1	1	
0009	NA01021	silk wadding-RS-CT	LYNX MIX204USB 535*160*30_V1.0	2	
0010	NE05004	label	ALTO PF_V1.2	4	
0011	NE17010	lable-RS	LYNX-MIX204 USB_V1.1	4	
0012	NF00061	assurance card-RS-C	ALTO_V1.1	1	
0013	NF03280	user manual-RS	LYNX-MIX USB MK SERIES ALTO_V1.0	1	
0014	HA00861	power cord Europe 3P	LT-312+LT-501	1	
0015	NE19430	label-RS	LYNX-MIX204 USB MK _V1.0	1	
0016	HD00009	glass tube fuse	1.6A 250V 5.2*20mm CSA/S/UL/VDE	1	

Rank	Part No.	Description	Specification	QTY	Remark
0017	NI02519	self-adhere foot cushion	15.9*8.0mm(RF-006)	4	
PF04385		MIXER	LYNX-MIX164 USB MK _ALTO_230V	1	
0001	HK10943	lead plane	LYNX-MIX164 USB MK	1	
0001	MA07947	panel-RS	LYNX-MIX244 USB MK STEREO_V1.1	1	
0002	MB06346	chassis-RS	LYNX-MIX244 USB MK STEREO_V1.0	1	
0003	MA07946	panel-RS	LYNX-MIX244 USB MK MONO_V1.0	1	
0004	MB06345	chassis-RS	LYNX-MIX244 USB MK MONO_V1.0	1	
0005	MI05060	fixed bracket-RS	LYNX-MIX244USB 58*22.5*6_V1.0	2	
0006	MI05061	fixed bracket-RS	LYNX-MIX244USB 1.0t*58*15*12_V1.0	1	
0007	MJ01400	side cover board-RS	LYNX-124USB_V1.0	1	
0008	MJ01401	side cover board-RS	LYNX-124USB_V1.0	1	
0009	HC00008	AC socket	3515 A TYPE(RF-2004-C-4.8)	1	
0010	HC00206	BNC jack	WJ-7031(28*12.7)	1	
0011	HI00019	power switch	4P MSR-8	1	
0012	HI00171	power switch-RS	R612KKAT0F1	1	
0013	ME00015	color nut	3m/m	6	fix DSP board and front/rear panel
0014	ME00016	color nut	4m/m	1	lock ground cable
0015	MF00038	washer-RS	4* 7*1t	1	lock ground cable
0016	MF00048	washer-RS	4* 8*0.5t	1	lock ground cable
0017	MF00014	washer	3* 6.5*0.5t	1	fix separation screen
0018	ME00060	MIC jack	JY-6351G-02-250	63	lock HC00125
0019	MF00061	MIC jack	9.6* 13*0.5t	63	lock HC00125
0020	MG00377	screw	M3*16mm	8	lock right/left handle
0021	MG00036	screw	M3*4	3	fix DSP board
0022	MG00804	screw-RS-CT	M3*6*0.5PH_V1.0	28	fix front panel and PCB semifinished products
0023	MG00041	screw	M3*6	78	lock PC board and assembling
0024	MG00042	screw	M3*10	2	fix AC connector
0025	MG00580	screw	M3*10_V1.0	25	fix MIC male connector , MIC female connector and RCA connector
0026	MG00243	copper pillar	M3*5*0.5PH	3	fix DSP board
0027	MG00248	copper pillar	M3*15*0.5PHdouble plane	28	lock PC board and front panel

Rank	Part No.	Description	Specification	QTY	Remark
0028	MG00707	iron pillar	5.0*M3*37 42(VI000110)_V1.0	4	fix separation screen
0029	MI05062	separating shade-RS	LYNX-MIX244USB 0.3t*138*121.5*40_V1.0	1	
0030	MJ00808	fixed clip	WL3-32T	2	
0031	ND00246	dustproof cloth-RS	0.35t*347*100mm 2016B_V1.1	1	
0032	ND00245	dustproof cloth-RS	0.35t*95.5*100mm 2016B_V1.1	1	
0033	ND00247	dustproof cloth	0.35t*100*50(2016B)_ V1.1	1	
0034	NI00252	sleeve	4*20mm	8	
0035	NI02547	handle	401*31*25mm	1	
0036	NI02548	handle	401*31*25mm	1	
0037	NI01862	key	5.5*5.5*14.5_V1.1	1	
0038	NI01863	key-RS	5.5*W10*7.5_V1.3	64	
0039	NI05634	key-RS-CT	5.5*W10*7.5 187C red_V1.0	22	
0040	NI02377	knob-RS	5.5*7.5(3.3*3.3mm)_V 1.2	23	
0041	NI02084	knob	10.5*18mm	1	MONO
0042	NI02386	konb-RS	14*13mm	2	DSP
0043	NI04004	knob	10*16.5 90 °V1.0	135	
0044	NI02692	knob cover	7*3.5 black	12	PAN、 BAL
0045	NI02678	knob cover	7*3.5 534C blue	40	EQ (HI、 HI-MID、 MID、 MID-LOW、 LOW)
0046	NI02868	knob cover	7*3.5 white_V1.0	22	TRIM*16、 EQ (FREQ)*12、 PHONES*1、 CTRL RPPM*1
0047	NI04601	knob-RS	7*3.5 3298U_V1.0	30	AUX1、 AUX2、 AUX SEND1、 AUX SEND2、 STEREO AUX RETURNS1、 STERE,,O AUX RETURNS2
0048	NI04602	knob-RS	7*3.5 123U_V1.0	31	AUX3、 AUX4、 AUX SEND3、 AUX SEND4、 STEREO AUX RETURNS3、 STERE,,O AUX RETURNS4
0049	NI04042	knob	24*11.5*11_V 1.0	12	CHANNEL
0050	NI02353	knob	24*11.5*11	4	SUBGROUPS

Rank	Part No.	Description	Specification	QTY	Remark
0051	NI05472	slide key-RS	MIX 244 6*7*8 COOL GRAY 8U_V1.1	9	STEREO GRAPHIC EQ
0052	NI02352	knob	24*11.5*11	1	MAIN MIX LEVEL
0053	NI04557	insulator-RS	XM-24 0.5t*102.5*129_V1.2	2	
0054	HK10832	PC board	P-LYNX-MIX124USB USB-DIP	1	
0001	SC00003	crystal oscillator	12.000MHZ HC-49/US ±0PPM	1	
0002	HC00335	terminal for PCB	PCB-2-M3	2	
0003	HI00125	slide switch	SL20202-25Y-6mm	2	
0004	HC00754	USB socket	CU02SAH0000 90 °	1	
0005	HA00210	wire	260mm red L3R3	1	C26 positive terminal
0006	HA05353	wire-RS	12P-8P/4P 160/125mm UL1007 24AWG	1	
0007	AC00603	lead free soldering bar	S100	1.44	
0008	HK10496	PC board	P-LYNX- MIX124UM_USBMOD -AI	1	
0001	CB00192	electrolytic capacitor	10uF/16V 4*7mm	10	
0002	HK10495	PC board	P-LYNX- MIX124UM_USBMOD -SMD	1	
0001	CI00266	SMD ceramic capacitor-RS 0603	22PF/50V NPO ±5%	2	
0002	CI00075	SMD ceramic capacitor 0603	0.1uF/50V Y5V +80,- 20%	5	
0003	RD00544	SMD precise resistance 1/10W	22 ±1% 0603	2	
0004	RD00274	SMD precise resistor 1/10W	100 ±1% 0603	4	
0005	RD00201	SMD precise resistor 1/10W	1.50K ±1% 0603	1	
0006	RD00414	SMD precise resistor 1/10W	3.90K ±1% 0603	4	
0007	RD00214	SMD precise resistor 1/10W	10.0K ±1% 0603	4	
0008	RD00353	SMD fixed resistor 1/10W	36K ±5% 0603	4	
0009	RD00306	SMD fixed resistor 1/10W	20K ±5% 0603	4	
0010	RD00125	SMD fixed resistor 1/10W	1.0M ±5% 0603	1	
0011	CI00009	SMD ceramic capacitor 0805	33PF/50V NPO	2	
0012	CI00149	SMD ceramic capacitor 0805	330PF/50V NPO ±5%	4	

Rank	Part No.	Description	Specification	QTY	Remark
0013	CI00108	SMD ceramic capacitor 0805	0.0018uF/50V NPO \pm 5%	4	
0014	CI00030	SMD ceramic capacitor 0805	1uF/16V Y5V-0805(2012)	4	
0015	RD00002	SMD fixed resistor 1/8W	0.0 \pm 5% 0805	1	
0016	SG00489	SMD integrated circuit-RS	PCM2900E(SSOP28)/(TI)	1	
0017	SG00122	SMD integrated circuit-RS-ACT	NJM4580M-TE3(SOP8)/(JRC)	2	
0018	HB02951	PCB-RS	LYNX-MIX124 USB/UM_USBMOD(2*4)_VER081024	1	
0019	AE00553	SenJu solder paste	M705-GRN360-K2-V 0.5KG/bottle	0.168	
0055	HK10831	PC board	P-LYNX-MIX124USB PU2-DIP	1	
0001	HC00321	connector(male)	14P 2.0mm 180 °	2	
0002	HC00886	connector(male)-RS	2*8P 2.0mm 180 ° (A2004WV-2*8P)	1	
0003	HC00076	connector(male)	2P 2.5mm 180 °	1	
0004	SD00007	integrated circuit	BA15218N(M5218L)(SIP8)/(ROHM)	4	
0005	HC00126	balance MIC jack-RS	JY-5042-030G female plug 180 °	2	
0006	HC00125	MIC jack-RS	JY-6351G-02-250	10	
0007	HC00403	RCA jack	SCP6873NS3232T2 4P	1	
0008	RA01262	precise resistor 1/4W	6.81K \pm 1%	4	
0009	CB00255	electrolytic capacitor	1000uF/10V 8*11mm 5mm	2	
0010	AC00603	lead free soldering bar	S100	3.82	
0011	HK10839	PC board	P-LYNX-MIX124USB PU2-AI	1	
0001	CB00238	electrolytic capacitor	0.22uF/50V 5*11mm	6	
0002	CB00194	electrolytic capacitor	47uF/25V 5*11mm	14	
0003	CB00334	electrolytic capacitor-RS	47uF/50V 6.3*11mm	4	
0004	HK10836	PC board	P-LYNX-MIX124USB PU2-SMD	1	
0001	CI00266	SMD ceramic capacitor-RS 0603	22PF/50V NPO \pm 5%	32	
0002	CI00268	SMD ceramic capacitor-RS 0603	47PF/50V NPO \pm 5%	2	
0003	CI00059	SMD ceramic capacitor 0603	100PF/50V NPO \pm 5%	16	
0004	CI00063	SMD ceramic capacitor 0603	470PF/50V NPO \pm 5%	2	

Rank	Part No.	Description	Specification	QTY	Remark
0005	CI00075	SMD ceramic capacitor 0603	0.1uF/50V Y5V +80,-20%	20	
0006	RD00298	SMD precise resistor 1/10W	47.0 \pm % 0603	4	
0007	RD00282	SMD precise resistor 1/10W	1.00K \pm % 0603	2	
0008	RD00351	SMD fixed resistor 1/10W	1.3K \pm 5% 0603	2	
0009	RD00406	SMD precise resistor 1/10W	3.60K \pm % 0603	4	
0010	RD00210	SMD precise resistor 1/10W	5.11K \pm % 0603	8	
0011	RD00214	SMD precise resistor 1/10W	10.0K \pm % 0603	30	
0012	RD00219	SMD precise resistor 1/10W	20.0K \pm % 0603	16	
0013	RD00550	SMD precise resistor 1/10W	27.0K \pm % 0603	16	
0014	RD00007	SMD fixed resistor 1/8W	120 \pm 5% 0805	8	
0015	SE00011	SMD rectifier diode	RLS4148 0.5A (LL-34)	8	
0016	SG00122	SMD integrated circuit-RS-ACT	NJM4580M-TE3(SOP8)/(JRC)	10	
0017	RD00224	SMD precise resistor 1/10W	100K \pm % 0603	8	
0018	RD00329	SMD precise resistor 1/10W	30.0K \pm % 0603	2	
0019	RD00090	SMD fixed resistor 1/10W	3.0K \pm 5% 0603	2	
0020	AE00553	SenJu solder paste	M705-GRN360-K2-V 0.5KG/bottle	0.53	
0021	HB02989	PCB-RS	LYNX-MIX124 USB/UM_PU2_VER09 0227	1	
0056	HK10830	PC board	P-LYNX-MIX124USB PU1-DIP	1	
0001	HC01128	connector(male)-RS	2*22P 2.54mm 180 °	1	
0002	HC00076	connector(male)	2P 2.5mm 180 °	1	
0003	HC00255	connector(male)	4P 2.0mm 180 °	1	
0004	HC00256	connector(male)	5P 2.0mm 180 °	1	
0005	HC00077	connector(male)	3P 2.5mm 180 °	1	
0006	HC00392	balance MIC jack-RS	JY-5030-030G 180 °	2	
0007	HC00125	MIC jack-RS	JY-6351G-02-250	33	
0008	HI00237	push-button switch-RS	2 12P KFC-D130-B(SELF-LOCK)	1	
0009	RC00359	potentiometer	W50K RD09F113A224-50K4BT(SAS1);30F-C	1	
0010	CB00194	electrolytic capacitor	47uF/25V 5*11mm	7	

Rank	Part No.	Description	Specification	QTY	Remark
0011	AC00603	lead free soldering bar	S100	4.86	
0012	HK10835	PC board	P-LYNX-MIX124USB PU1-SMD	1	
0001	RD00102	SMD fixed resistor 1/10W	12K $\pm 5\%$ 0603	1	
0002	RD00509	SMD fixed resistor 1/10W	24K $\pm 5\%$ 0603	1	
0003	RD00306	SMD fixed resistor 1/10W	20K $\pm 5\%$ 0603	4	
0004	RD00105	SMD fixed resistor 1/10W	22K $\pm 5\%$ 0603	2	
0005	RD00352	SMD fixed resistor 1/10W	3.6K $\pm 5\%$ 0603	1	
0006	RD00094	SMD fixed resistor 1/10W	5.1K $\pm 5\%$ 0603	8	
0007	CI00266	SMD ceramic capacitor-RS 0603	22PF/50V NPO $\pm 5\%$	3	
0008	CI00075	SMD ceramic capacitor 0603	0.1uF/50V Y5V +80,- 20%	4	
0009	RD00007	SMD fixed resistor 1/8W	120 $\pm 5\%$ 0805	50	
0010	SG00122	SMD integrated circuit-RS-ACT	NJM4580M- TE3(SOP8)/(JRC)	2	
0011	AE00553	SenJu solder paste	M705-GRN360-K2-V 0.5KG/bottle	0.2	
0012	HB02988	PCB-RS	LYNX-MIX124 USB/UM_PU1_VER09 0227	1	
0057	HK10829	PC board	P-LYNX-MIX124USB MONO-DIP	2	
0001	HC01127	connector(male)-RS	2*6P 2.0mm 180 ° (A2004WV-2*6P)	1	
0002	HC00126	balance MIC jack-RS	JY-5042-030G female plug 180 °	4	
0003	HC00125	MIC jack-RS	JY-6351G-02-250	8	
0004	HI00236	push-button switch- RS	2 6P KFC-D85- C(SELF-LOCK)	24	
0005	HI00237	push-button switch- RS	2 12P KFC-D130- B(SELF-LOCK)	4	
0006	SA00053	L.E.D	3 round(red)long foot 26mm	8	
0007	SA00054	L.E.D	3m/m round(yellow)long foot 26	4	
0008	SA00052	L.E.D	3 round(green)long foot 26	4	
0009	RC00284	slide potentiometer	D10K RF6011YP600F- 10KD(SAS1)	4	

Rank	Part No.	Description	Specification	QTY	Remark
0010	RC00672	potentiometer-RS	B50K XV09213YNPV30F- 1B50K C.C	12	
0011	RC00703	potentiometer-RS	W50K XV09213YNPV30F- 4BP50K CC	20	
0012	RC00671	potentiometer-RS	C500K XV012313YGPV30F- 15C500K C.C	4	
0013	RC00727	potentiometer-RS	Z10K XV09213YNPV30F914 Z10K	4	
0014	HA05356	wire-RS	15P 30mm UL2651 26AWG	2	
0015	HA02188	wire-RS	5P-5P 140mm UL1007 28AWG	1	
0016	HC00887	connector(male)-RS	2*10P 2.0mm 180 ° (A2004WV-2*10P)	1	
0017	HC00886	connector(male)-RS	2*8P 2.0mm 180 ° (A2004WV-2*8P)	1	
0018	NI01786	LED spacer support	LEDS-12 12mm	16	
0019	RA01262	precise resistor 1/4W	6.81K ±1%	8	
0020	AC00603	lead free soldering bar	S100	14.17	
0021	HK10838	PC board	P-LYNX-MIX124USB MONO-AI	1	
0001	CB00255	electrolytic capacitor	1000uF/10V 8*11mm 5mm	4	
0002	CB00238	electrolytic capacitor	0.22uF/50V 5*11mm	12	
0003	CB00242	electrolytic capacitor	22uF/35V 5*11mm	8	
0004	CB00194	electrolytic capacitor	47uF/25V 5*11mm	24	
0005	CB00334	electrolytic capacitor- RS	47uF/50V 6.3*11mm	8	
0006	HK10834	PC board	P-LYNX-MIX124USB MONO-SMD	1	
0001	CI00075	SMD ceramic capacitor 0603	0.1uF/50V Y5V +80,- 20%	28	
0002	CI00063	SMD ceramic capacitor 0603	470PF/50V NPO ±5 %	12	
0003	CI00268	SMD ceramic capacitor-RS 0603	47PF/50V NPO ±5 %	4	
0004	CI00266	SMD ceramic capacitor-RS 0603	22PF/50V NPO ±5 %	28	
0005	RD00059	SMD fixed resistor 1/10W	0.0 ±5% 0603	4	
0006	RD00062	SMD fixed resistor 1/10W	18 ±5% 0603	4	

Rank	Part No.	Description	Specification	QTY	Remark
0007	RD00298	SMD precise resistor 1/10W	47.0 \pm 5% 0603	8	
0008	RD00069	SMD fixed resistor 1/10W	120 \pm 5% 0603	4	
0009	RD00083	SMD fixed resistor 1/10W	1.0K \pm 5% 0603	4	
0010	RD00351	SMD fixed resistor 1/10W	1.3K \pm 5% 0603	4	
0011	RD00085	SMD fixed resistor 1/10W	1.5K \pm 5% 0603	12	
0012	RD00090	SMD fixed resistor 1/10W	3.0K \pm 5% 0603	4	
0013	RD00406	SMD precise resistor 1/10W	3.60K \pm 1% 0603	8	
0014	RD00092	SMD fixed resistor 1/10W	3.9K \pm 5% 0603	4	
0015	RD00093	SMD fixed resistor 1/10W	4.7K \pm 5% 0603	12	
0016	RD00210	SMD precise resistor 1/10W	5.11K \pm 1% 0603	36	
0017	RD00095	SMD fixed resistor 1/10W	5.6K \pm 5% 0603	8	
0018	RD00097	SMD fixed resistor 1/10W	6.8K \pm 5% 0603	12	
0019	RD00102	SMD fixed resistor 1/10W	12K \pm 5% 0603	4	
0020	RD00219	SMD precise resistor 1/10W	20.0K \pm 1% 0603	12	
0021	RD00105	SMD fixed resistor 1/10W	22K \pm 5% 0603	4	
0022	RD00509	SMD fixed resistor 1/10W	24K \pm 5% 0603	4	
0023	RD00329	SMD precise resistor 1/10W	30.0K \pm 1% 0603	4	
0024	RD00353	SMD fixed resistor 1/10W	36K \pm 5% 0603	4	
0025	RD00371	SMD precise resistor 1/10W	51.1K \pm 1% 0603	8	
0026	RD00114	SMD fixed resistor 1/10W	68K \pm 5% 0603	4	
0027	RD00125	SMD fixed resistor 1/10W	1.0M \pm 5% 0603	4	
0028	RD00214	SMD precise resistor 1/10W	10.0K \pm 1% 0603	12	
0029	RD00334	SMD precise resistor 1/10W	11.0K \pm 1% 0603	8	
0030	RD00218	SMD precise resistor 1/10W	15.0K \pm 1% 0603	36	
0031	CI00098	SMD ceramic capacitor 0805	0.033uF/50V X7R \pm 10%	8	

Rank	Part No.	Description	Specification	QTY	Remark
0032	SE00011	SMD rectifier diode	RLS4148 0.5A (LL-34)	20	
0033	SG00122	SMD integrated circuit-RS-ACT	NJM4580M-TE3(SOP8)/(JRC)	14	
0034	SF00056	transistor	MMBT3904(SOT23)/(PHI)	12	
0035	RD00098	SMD fixed resistor 1/10W	7.5K \pm 5% 0603	8	
0036	CI00023	SMD ceramic capacitor 0805	0.0022uF NPO \pm 5% -50V	4	
0037	CI00026	SMD ceramic capacitor 0805	0.0033uF/50V X7R \pm 10%	4	
0038	CI00275	SMD ceramic capacitor-RS 0805	0.0056uF/50V X7R \pm 10%	8	
0039	AE00553	SenJu solder paste	M705-GRN360-K2-V 0.5KG/bottle	1.21	
0040	HB02990	PCB-RS	LYNX-MIX124 USB/UM_MONO1_VE R090227	1	
0058	HK10828	PC board	P-LYNX-MIX124USB MN1-DIP	1	
0001	HI00236	push-button switch-RS	2 6P KFC-D85-C(SELF-LOCK)	38	
0002	HI00238	push-button switch-RS	2 6P KFC-D85-D(NON-LOCK)	1	
0003	HI00237	push-button switch-RS	2 12P KFC-D130-B(SELF-LOCK)	14	
0004	HI00161	relay	RY-5W-K,5V	1	
0005	HI00195	rotary switch-RS-ACT	SDB161PVB15.5F-1-4-16-16PC	2	
0006	SA00053	L.E.D	3 round(red)long foot 26mm	14	
0007	SA00054	L.E.D	3m/m round(yellow)long foot 26	6	
0008	SA00052	L.E.D	3 round(green)long foot 26	26	
0009	RC00284	slide potentiometer	D10K RF6011YP600F-10KD(SAS1)	4	
0010	RC00285	slide potentiometer-dual unit	D10K RF60112P600G-10KD*2(SAS1)	5	
0011	RC00669	potentiometer-RS	B50K XV012313YGPV30F-3B50K C.C	16	
0012	RC00703	potentiometer-RS	W50K XV09213YNPV30F-4BP50K CC	28	

Rank	Part No.	Description	Specification	QTY	Remark
0013	RC00670	potentiometer-RS	W50K XV012313YGPV30F- 4B50K C.C	11	
0014	RC00315	slide potentiometer	W100K RA3022- 202-15DA-W100K-C	9	
0015	HK07637	PC board	P-DSP-PRE- DIP(APM120)	1	
0001	HC00697	connector	2.0 90 °16P(gold- pated)2.5/9.5mm 2mm	1	
0002	AC00603	lead free soldering bar	S100	0.4	
0003	HK07638	PC board	P-DSP-PRE- SMD(APM120)	1	
0001	HB01916	PCB-RS	DSP- PRE(1*10)_VER07031 6	1	
0002	SG00306	SMD integrated circuit	LM393DR(TI)/(MEXIC O)	1	
0003	SG00469	SMD integrated circuit-RS	SN74HC109DR(SO16)/ (TI)	1	
0004	SG00068	SMD integrated circuit	74HC14DT(SO14)/(PHI)	1	
0005	SF00056	transistor	MMBT3904(SOT23)/(P HI)	1	
0006	RD00068	SMD fixed resistor 1/10W	100 ±5% 0603	2	
0007	SE00007	SMD rectifier diode	RB400D(D3A)	1	
0008	SE00009	SMD rectifier diode- RS	DAN202K/T-146	1	
0009	SE00028	SMD rectifier diode- RS-ACT	BAS316,115	2	
0010	RD00059	SMD fixed resistor 1/10W	0.0 ±5% 0603	1	
0011	RD00083	SMD fixed resistor 1/10W	1.0K ±5% 0603	1	
0012	RD00099	SMD fixed resistor 1/10W	8.2K ±5% 0603	2	
0013	RD00101	SMD fixed resistor 1/10W	10K ±5% 0603	14	
0014	RD00093	SMD fixed resistor 1/10W	4.7K ±5% 0603	1	
0015	RD00098	SMD fixed resistor 1/10W	7.5K ±5% 0603	1	
0016	RD00111	SMD fixed resistor 1/10W	47K ±5% 0603	1	
0017	RD00125	SMD fixed resistor 1/10W	1.0M ±5% 0603	1	
0018	RD00124	SMD fixed resistor 1/10W	820K ±5% 0603	1	

Rank	Part No.	Description	Specification	QTY	Remark
0019	RD00126	SMD fixed resistor 1/10W	2.2M \pm 5% 0603	1	
0020	CI00129	SMD ceramic capacitor 0603	0.0015uF/50V X7R \pm 10%	2	
0021	CL00002	SMD tantalum capacitor-RS-ACT	1.0uF/16V case A	2	
0022	CI00053	SMD ceramic capacitor 0603	33PF/50V C0G \pm 5%(C1608C0G1H330JT)/TDK	2	
0023	CL00006	SMD tantalum capacitor-RS-ACT	10uF/16V case B2	2	
0024	CI00051	SMD ceramic capacitor 0603	22PF/50V C0G \pm 5%(C1608C0G1H220JT)/TDK	4	
0025	CI00075	SMD ceramic capacitor 0603	0.1uF/50V Y5V +80,-20%	8	
0026	SE00085	SMD zener diode-RS	1/2W 2.4V ZMM55-C2V4	2	
0027	AE00553	SenJu solder paste	M705-GRN360-K2-V 0.5KG/bottle	0.124	
0028	SG00243	SMD integrated circuit	NE555DR(SO8)/(TI)	1	
0029	SG00122	SMD integrated circuit-RS-ACT	NJM4580M-TE3(SOP8)/(JRC)	3	
0030	RD00306	SMD fixed resistor 1/10W	20K \pm 5% 0603	2	
0031	RD00349	SMD fixed resistor 1/10W	910 \pm 5% 0603	1	
0032	RD00092	SMD fixed resistor 1/10W	3.9K \pm 5% 0603	1	
0016	HC00473	connector-RS	2.45mm 180 \circ 2*8P B25-2*8BG1(B)H=5mm	1	
0017	HC00397	connector(male)	10P 2.0mm 180 \circ	1	
0018	HC00259	connector(male)	8P 2.0mm 180 \circ	1	
0019	HC01128	connector(male)-RS	2*22P 2.54mm 180 \circ	1	
0020	HA02446	wire-RS	14P(male)-14P(female) 60mm UL1007 28AWG	2	
0021	HC00256	connector(male)	5P 2.0mm 180 \circ	1	
0022	HC00077	connector(male)	3P 2.5mm 180 \circ	2	
0023	NI01786	LED spacer support	LEDS-12 12mm	46	
0024	RA01260	fixed resistor 1/4W	120	2	
0025	RA01259	fixed resistor 1/4W	47	2	
0026	AC00603	lead free soldering bar	S100	26.59	
0027	HK10842	PC board	P-LYNX-MIX124USBMN1-BT-SMD	1	

Rank	Part No.	Description	Specification	QTY	Remark
0001	RD00059	SMD fixed resistor 1/10W	0.0 $\pm 5\%$ 0603	2	
0002	RD00062	SMD fixed resistor 1/10W	18 $\pm 5\%$ 0603	6	
0003	RD00544	SMD precise resistance 1/10W	22 $\pm 1\%$ 0603	2	
0004	RD00304	SMD fixed resistor 1/10W	33 $\pm 5\%$ 0603	2	
0005	RD00065	SMD fixed resistor 1/10W	47 $\pm 5\%$ 0603	2	
0006	RD00297	SMD precise resistor 1/10W	60.4 $\pm 1\%$ 0603	4	
0007	RD00275	SMD precise resistor 1/10W	110 $\pm 1\%$ 0603	2	
0008	RD00276	SMD precise resistor 1/10W	169 $\pm 1\%$ 0603	2	
0009	RD00277	SMD precise resistor 1/10W	200 $\pm 1\%$ 0603	6	
0010	RD00542	SMD precise resistance 1/10W	220 $\pm 1\%$ 0603	2	
0011	RD00074	SMD fixed resistor 1/10W	270 $\pm 5\%$ 0603	2	
0012	RD00089	SMD fixed resistor 1/10W	2.7K $\pm 5\%$ 0603	4	
0013	RD00096	SMD fixed resistor 1/10W	6.2K $\pm 5\%$ 0603	18	
0014	RD00097	SMD fixed resistor 1/10W	6.8K $\pm 5\%$ 0603	2	
0015	RD00214	SMD precise resistor 1/10W	10.0K $\pm 1\%$ 0603	4	
0016	RD00218	SMD precise resistor 1/10W	15.0K $\pm 1\%$ 0603	6	
0017	RD00306	SMD fixed resistor 1/10W	20K $\pm 5\%$ 0603	4	
0018	RD00509	SMD fixed resistor 1/10W	24K $\pm 5\%$ 0603	4	
0019	RD00353	SMD fixed resistor 1/10W	36K $\pm 5\%$ 0603	16	
0020	RD00109	SMD fixed resistor 1/10W	39K $\pm 5\%$ 0603	2	
0021	RD00111	SMD fixed resistor 1/10W	47K $\pm 5\%$ 0603	3	
0022	RE00011	SMD resistor networks 1/16W	680 *4 $\pm 5\%$ 8P 1206(0603x4)	2	
0023	RD00114	SMD fixed resistor 1/10W	68K $\pm 5\%$ 0603	20	
0024	CI00075	SMD ceramic capacitor 0603	0.1uF/50V Y5V +80,- 20%	1	
0025	CI00026	SMD ceramic capacitor 0805	0.0033uF/50V X7R \pm 10%	2	

Rank	Part No.	Description	Specification	QTY	Remark
0026	CI00116	SMD ceramic capacitor 0805	0.0039uF/50V X7R ± 10%	2	
0027	CI00147	SMD ceramic capacitor 0805	0.0082uF/50V X7R ± 10%	2	
0028	CI00289	SMD ceramic capacitor-RS	0.012uF/50V X7R ± 10%	4	
0029	CI00151	SMD ceramic capacitor 0805	0.015uF/50V X7R ± 10%	6	
0030	CI00097	SMD ceramic capacitor 0805	0.027uF/50V X7R ± 10%	2	
0031	CI00099	SMD ceramic capacitor 0805	0.068uF/50V X7R ± 10%	2	
0032	CI00100	SMD ceramic capacitor 0805	0.1uF/50V X7R ±0%	4	
0033	CI00305	SMD ceramic capacitor-RS	0.12uF/50V X7R ± 10%	2	
0034	CI00146	SMD ceramic capacitor 0805	0.22uF/50V X7R ±0%	6	
0035	CI00276	SMD ceramic capacitor-RS	0.47uF/25V X7R ±0%	2	
0036	CI00306	SMD ceramic capacitor-RS	1.0uF/25V X7R ±0%	2	
0037	SE00011	SMD rectifier diode	RLS4148 0.5A (LL-34)	1	
0038	SF00031	SMD transistor-RS-ACT	BC847B(SOT23)/(PHI)	18	
0039	HK10837	PC board	P-LYNX-MIX124USB MN1-AI	1	
0001	CB00248	electrolytic capacitor	2.2uF/50V 4*5mm	1	
0002	CB00190	electrolytic capacitor	4.7uF/25V 4*7mm	3	
0003	CB00194	electrolytic capacitor	47uF/25V 5*11mm	107	
0004	CB00268	electrolytic capacitor	330uF/16V 8*11mm 5mm	1	
0005	CB00255	electrolytic capacitor	1000uF/10V 8*11mm 5mm	1	
0006	HK10833	PC board	P-LYNX-MIX124USB MN1-SMD	1	
0001	CI00266	SMD ceramic capacitor-RS 0603	22PF/50V NPO ±5%	81	
0002	CI00059	SMD ceramic capacitor 0603	100PF/50V NPO ±5%	10	
0003	CI00062	SMD ceramic capacitor 0603	330PF/50V NPO ±5%	2	
0004	CI00075	SMD ceramic capacitor 0603	0.1uF/50V Y5V +80,-20%	93	
0005	RD00346	SMD fixed resistor 1/10W	56 ±5% 0603	1	
0006	RD00069	SMD fixed resistor 1/10W	120 ±5% 0603	17	
0007	RD00542	SMD precise resistance 1/10W	220 ±1% 0603	6	

Rank	Part No.	Description	Specification	QTY	Remark
0008	RD00076	SMD fixed resistor 1/10W	330 $\pm 5\%$ 0603	2	
0009	RD00078	SMD fixed resistor 1/10W	470 $\pm 5\%$ 0603	4	
0010	RD00347	SMD fixed resistor 1/10W	510 $\pm 5\%$ 0603	3	
0011	RD00348	SMD fixed resistor 1/10W	620 $\pm 5\%$ 0603	1	
0012	RD00083	SMD fixed resistor 1/10W	1.0K $\pm 5\%$ 0603	12	
0013	RD00351	SMD fixed resistor 1/10W	1.3K $\pm 5\%$ 0603	1	
0014	RD00084	SMD fixed resistor 1/10W	1.2K $\pm 5\%$ 0603	8	
0015	RD00085	SMD fixed resistor 1/10W	1.5K $\pm 5\%$ 0603	13	
0016	RD00086	SMD fixed resistor 1/10W	1.8K $\pm 5\%$ 0603	32	
0017	RD00087	SMD fixed resistor 1/10W	2.0K $\pm 5\%$ 0603	1	
0018	RD00088	SMD fixed resistor 1/10W	2.2K $\pm 5\%$ 0603	1	
0019	RD00089	SMD fixed resistor 1/10W	2.7K $\pm 5\%$ 0603	16	
0020	RD00093	SMD fixed resistor 1/10W	4.7K $\pm 5\%$ 0603	17	
0021	RD00094	SMD fixed resistor 1/10W	5.1K $\pm 5\%$ 0603	22	
0022	RD00095	SMD fixed resistor 1/10W	5.6K $\pm 5\%$ 0603	13	
0023	RD00097	SMD fixed resistor 1/10W	6.8K $\pm 5\%$ 0603	58	
0024	RD00099	SMD fixed resistor 1/10W	8.2K $\pm 5\%$ 0603	1	
0025	RD00214	SMD precise resistor 1/10W	10.0K $\pm 1\%$ 0603	75	
0026	RD00102	SMD fixed resistor 1/10W	12K $\pm 5\%$ 0603	20	
0027	RD00218	SMD precise resistor 1/10W	15.0K $\pm 1\%$ 0603	60	
0028	RD00368	SMD precise resistor 1/10W	16.5K $\pm 1\%$ 0603	2	
0029	RD00473	SMD precise resistor 1/10W	18.0K $\pm 1\%$ 0603	8	
0030	RD00306	SMD fixed resistor 1/10W	20K $\pm 5\%$ 0603	49	
0031	RD00105	SMD fixed resistor 1/10W	22K $\pm 5\%$ 0603	16	
0032	RD00509	SMD fixed resistor 1/10W	24K $\pm 5\%$ 0603	1	

Rank	Part No.	Description	Specification	QTY	Remark
0033	RD00329	SMD precise resistor 1/10W	30.0K \pm 1% 0603	2	
0034	RD00108	SMD fixed resistor 1/10W	33K \pm 5% 0603	4	
0035	RD00353	SMD fixed resistor 1/10W	36K \pm 5% 0603	40	
0036	RD00109	SMD fixed resistor 1/10W	39K \pm 5% 0603	6	
0037	RD00111	SMD fixed resistor 1/10W	47K \pm 5% 0603	8	
0038	RD00112	SMD fixed resistor 1/10W	56K \pm 5% 0603	8	
0039	RD00114	SMD fixed resistor 1/10W	68K \pm 5% 0603	6	
0040	RD00116	SMD fixed resistor 1/10W	100K \pm 5% 0603	4	
0041	RD00118	SMD fixed resistor 1/10W	150K \pm 5% 0603	2	
0042	RD00119	SMD fixed resistor 1/10W	220K \pm 5% 0603	17	
0043	RD00125	SMD fixed resistor 1/10W	1.0M \pm 5% 0603	16	
0044	RD00002	SMD fixed resistor 1/8W	0.0 \pm 5% 0805	1	
0045	CI00022	SMD ceramic capacitor 0805	0.001uF/50V X7R	8	
0046	CI00026	SMD ceramic capacitor 0805	0.0033uF/50V X7R \pm 10%	16	
0047	CI00289	SMD ceramic capacitor-RS	0.012uF/50V X7R \pm 10%	16	
0048	CI00133	SMD ceramic capacitor 0805	0.047uF/-50V X7R \pm 0 %	8	
0049	SE00008	SMD rectifier diode	DA204K/T-146	1	
0050	SF00039	transistor	MMBFJ112(SOT23)/(F AIRCHILD)	5	
0051	SG00210	SMD integrated circuit	LM339DT/(ST)	6	
0052	SG00122	SMD integrated circuit-RS-ACT	NJM4580M- TE3(SOP8)/(JRC)	46	
0053	SE00011	SMD rectifier diode	RLS4148 0.5A (LL-34)	10	
0054	SF00056	transistor	MMBT3904(SOT23)/(P HI)	14	
0055	SF00053	transistor	MMBT3906(SOT23)/(P HI)	3	
0056	AE00553	SenJu solder paste	M705-GRN360-K2-V 0.5KG/bottle	2.87	
0057	HB02987	PCB-RS	LYNX-MIX124 USB/UM_MN1_VER09 0227	1	
0059	HK01576	PC board	P-L12PU4-DIP	1	

Rank	Part No.	Description	Specification	QTY	Remark
0001	HC00125	MIC jack-RS	JY-6351G-02-250	4	
0002	HC00256	connector(male)	5P 2.0mm 180 °	1	
0003	HK01565	PC board	P-L12PU4-SMD	1	
0001	HB00961	PCB	L12PU4(1*6)_VER030 530	1	
0002	RD00007	SMD fixed resistor 1/8W	120 ±5% 0805	8	
0003	AE00553	SenJu solder paste	M705-GRN360-K2-V 0.5KG/bottle	0.005	
0004	AC00603	lead free soldering bar	S100	0.468	
0060	HK01409	PC board-RS	P-313123-DIP(AMX- 140FX)	1	
0001	SC00004	crystal oscillator	16.00MHZ	1	
0002	HC00484	connector	2.54 180 °*8P(gold- plated) 13.5/19mm	1	TIP on copper foil side
0003	SG00193	SMD integrated circuit	SST39VF010-70n/L-8	1	
0004	HK03894	PC board-RS-ACT	P-313123-SMD(L-8)	1	
0001	HB00895	PCB	313123/2(1*6)	1	
0002	CI00075	SMD ceramic capacitor 0603	0.1uF/50V Y5V +80,- 20%	13	
0003	RD00061	SMD fixed resistor 1/10W	10 ±5% 0603	1	
0004	RD00068	SMD fixed resistor 1/10W	100 ±5% 0603	8	
0005	RD00073	SMD fixed resistor 1/10W	220 ±5% 0603	1	
0006	RD00085	SMD fixed resistor 1/10W	1.5K ±5% 0603	10	
0007	RD00088	SMD fixed resistor 1/10W	2.2K ±5% 0603	8	
0008	RD00101	SMD fixed resistor 1/10W	10K ±5% 0603	3	
0009	RD00125	SMD fixed resistor 1/10W	1.0M ±5% 0603	1	
0010	RE00006	SMD resistor networks 1/16W	100 *4 ±5% 8P 1206(0603x4)	2	
0011	SE00011	SMD rectifier diode	RLS4148 0.5A (LL-34)	1	
0012	SG00068	SMD integrated circuit	74HC14DT(SO14)/(PHI)	1	
0013	SG00410	SMD integrated circuit-RS-ACT	IC41LV16256- 35KG(SOJ40)/(ICSI)	1	
0014	SG00166	SMD integrated circuit	TY-2 ALTO(GMCODE:1050 22)	1	
0015	SG00037	SMD integrated circuit	LD1117DT33C(TO252) /(ST)	1	
0016	HC00611	IC socket (SMD)	PLCC32 (AMP S/N:822516-7)	1	

Rank	Part No.	Description	Specification	QTY	Remark
0017	SG00016	SMD integrated circuit	UDA1345TS(SSOP28)/(PHI)	1	
0018	AE00553	SenJu solder paste	M705-GRN360-K2-V 0.5KG/bottle	0.386	
0019	CI00264	SMD ceramic capacitor-RS 0603	15PF/50V NPO $\pm 5\%$	2	
0005	NE11475	label	L-8	1	
0006	AC00603	lead free soldering bar	S100	5.058	
0007	CB00166	electrolytic capacitor	100uF/16V 6*5mm	11	
0061	HK10004	PC board	P-LYNX-MIX244_PSM80WA-DIP	1	
0001	HA01935	jump	12.5mm	3	
0002	RA00022	metal-oxide-film resistor 1W	33K	1	
0003	CB00237	electrolytic capacitor	1.0uF/50V 5*11mm 2.5mm	1	
0004	CB00188	electrolytic capacitor	10uF/63V 5*11mm 2.5mm	3	
0005	CB00034	electrolytic capacitor	33uF/16V 5*11mm	1	
0006	CB00260	electrolytic capacitor	47uF/35V 5*11mm 2.5mm	1	
0007	CB00279	electrolytic capacitor	100uF/100V 10*20mm	1	
0008	CB00337	electrolytic capacitor-RS	220uF/400V 30*31mm	1	
0009	CB00064	electrolytic capacitor	470uF/16V 10*12mm	1	
0010	CB00065	electrolytic capacitor	470uF/25V 10*16mm	4	
0011	CB00079	electrolytic capacitor	2200uF/25V 13*25mm	2	
0012	CG00020	X1/Y2 capacitor	4700PF Y5V X1-400V Y2-250V	1	
0013	CG00082	X2 capacitor-RS-ACT	0.1uF/275V $\pm 20\%$ R46-KI3100-JP M1M(ARC)	2	
0014	CG00033	metal oxide varistors	B57237-S100-M	1	
0015	CG00092	metal oxide varistors-RS	CNR-14D431K/(CNR)	1	
0016	SA00130	diode-RS-ACT	1A/600V/35ns BYV26C	1	
0017	SA00004	high speed diode-RS	2A/100V BYV27-200,113	3	
0018	SA00144	diode-RS	BYV28-200-TAP(SOD64)/(VISHAY)	2	
0019	SA00093	rectifier diode	1N4148 0.5A	1	
0020	SA00222	diode-RS-ACT	2.2A/274V P6KE200A	1	

Rank	Part No.	Description	Specification	QTY	Remark
0021	SA00223	zener diode-RS-ACT	3.6W 36V KA431AZ(TO-92)	1	
0022	SB00064	transistor-RS-ACT	TIP41C(TO220)/(ST)	1	
0023	SD00074	integrated circuit	L7805CV(TO220)/(ST)	1	
0024	SD00319	integrated circuit-RS	TOP248YN(TO220)/(PI)	1	
0025	SB00012	Pohtotriode-RS-ACT	H11A817C.300/(QT)	1	
0026	SA00221	bridge rectifier	2A/600V KBP206	1	
0027	TC00424	transformer-RS	ETD29_80W_AC90- 240	1	
0028	CN00235	inductance-RS	12uH(WL-333)	2	
0029	CN00153	inductance-RS-ACT	3mH UT20-H125NP	1	
0030	HC00076	connector(male)	2P 2.5mm 180 °	2	
0031	HC00082	connector(male)	8P 2.5mm 180 °	1	
0032	HC00173	connector(male)	3P 3.96mm 180 °	1	
0033	CN00228	magnetic bead-RS	GF4 RH 3.5*5*1.8	2	used with Q1's 1,3 pin
0034	MI03847	heat-sink-RS	2.9*77*30*15_V1.2	1	TOP248
0035	MI00256	heat-sink	25*15*10.6-1PIN SCL- 2020	2	TIP41 , 7805
0036	NI02249	plastic washer	TW-1(TO-220)	3	TOP248,TIP41,7805
0037	NC00167	mica-RS	13*18(3.6)TO-220	3	TOP248,TIP41,7805
0038	MF00014	washer	3* 6.5*0.5t	2	fix TOP248 heat sinl
0039	MF00037	washer	3.2* 5*0.8t	3	fix TOP248,TIP41,7805
0040	MI04729	separating shade-RS	TYPHOON PS3200 24*18*25_V1.1	1	sparate input inductor
0041	AC00603	lead free soldering bar	S100	3.118	
0042	HK10005	PC board	P-LYNX- MIX244_PSM80WA- SMD	1	
0001	CI00103	SMD ceramic capacitor 1206	100PF/50V NPO ±5%	5	
0002	CI00154	SMD ceramic capacitor 1206	0.1uF/100V X7R ±10%	12	
0003	RD00412	SMD precise resistor 1/4W	6.8 ±1% 1206	1	
0004	RD00597	SMD precise resistor- RS 1/4W	100 ±1% 1206	1	
0005	RD00400	SMD fixed resistor 1/4W	220 ±5% 1206	1	
0006	RD00410	SMD precise resistor 1/4W	470 ±1% 1206	5	
0007	RD00245	SMD precise resistor 1/4W	1.00K ±1% 1206	2	

Rank	Part No.	Description	Specification	QTY	Remark
0008	RD00440	SMD fixed resistor 1/8W	5.1K $\pm 5\%$ 0805	1	
0009	RD00399	SMD precise resistor 1/4W	10.0K $\pm 1\%$ 1206	9	
0010	RD00255	SMD precise resistor 1/4W	100K $\pm 1\%$ 1206	1	
0011	RD00617	SMD fixed resistor- RS 1/4W	2.0M $\pm 5\%$ 1206	1	
0012	SE00110	SMD zener diode- RS-ACT	1/2W 47V ZMM55C47 SOD80	1	
0013	HB02832	PCB-RS	LYNX- MIX244_PSM80WA_V ER080505	1	
0043	MG00196	screw	M3*8	5	
0044	CG00023	X1/Y1 capacitor	0.0022uF/250VAC Y5U	2	
0045	CG00046	X1/Y2 capacitor AY2	2200PF VDE/UL $\pm 20\%$ X1:400V~ Y2:250V~	2	
0046	SB00287	transistor-RS-ACT	2N5551(TO92)/(UTC)	1	
0062	HA01619	wire-RS	2P 220mm UL1007 24AWG	1	
0063	HA01469	wire-RS	2P 300mm UL1007 24AWG	1	
0064	HA01174	single terminal wiring CF:W146	80 green/yellow	1	
0065	HA01835	wire-RS	70mm brown L10R10	2	
0066	HA04139	wire-RS	3P 200mm UL1015 18AWG	1	
0067	HA01404	wire-RS	2P-2P 90mm UL1007 24AWG	1	
0068	HA00397	wire	330mm black L5R5	4	
0069	HA02891	wire-RS	3P-3P 400mm UL2547 28AWG	1	
0070	HA05359	wire-RS	2*8P-2*8P/8P 130*2mm UL1007 24AWG	1	
0071	HA05361	wire-RS	10P-(2*10P)*2 130*2mm UL1007 24AWG	1	
0072	HA05363	wire-RS	8P-2*8P/(2*6P)*3 130*2/145/160mm UL1007	1	
0073	HA05357	wire-RS	44P-44P 620mm UL2651 28AWG PH1.27	1	
0074	NE19409	label-RS-CT	LYNX-MIX244 USB MK MIC1-4_V1.0	1	
0075	NE19435	label-RS-CT	LYNX-MIX164 USB MK MIC5-10_V1.0	1	

Rank	Part No.	Description	Specification	QTY	Remark
0076	NE19418	label-RS-CT	LYNX-MIX244 USB MK 1-4_V1.0	1	
0077	NE19417	label-RS-CT	LYNX-MIX244 USB MK 5-8_V1.0	1	
0078	NE19412	label-RS-CT	LYNX-MIX244 USB MK 1-4_V1.0	1	
0079	NE19438	label-RS-CT	LYNX-MIX164 USB MK 5-16_V1.0	1	
0080	NE19441	label-RS-CT	LYNX-MIX164 USB MK _V1.0	1	
0081	NE19432	label-RS-CT	LYNX-MIX164 USB MK _V1.0	1	
0002	HK10944	package	LYNX-MIX164 USB MK	1	
0001	NB02473	cushion	L-12;16;20series contrary	1	
0002	NB02474	cushion	L-12;16;20series right	1	
0003	NA00137	clip-chain bag	5*7	1	pack corner pad
0004	NA00859	PE bag-RS	0.04t*220*200mm_V1. 0	1	pack user's manual
0005	NA00279	clip-chain bag	0.04t*100*150mm_V1. 0	1	pack warranty card
0006	NA00912	PE bag-RS-ACT	0.05t*600*1000mm_V1 .0	1	
0007	NB06417	inner case-RS-CT	LYNX-MIX164 USB MK ALTO_V1.0	1	
0008	NB06418	carton-RS-CT	LYNX-MIX164 USB MK ALTO_V1.1	1	
0009	NA01020	silk wadding-RS-CT	LYNX MIX164USB 410*160*30_V1.0	2	
0010	NE05004	label	ALTO PF_V1.2	4	
0011	NE17009	lable-RS	LYNX-MIX164 USB_V1.1	4	
0012	NF00061	assurance card-RS-C	ALTO_V1.1	1	
0013	NF03280	user manual-RS	LYNX-MIX USB MK SERIES ALTO_V1.0	1	
0014	HA00861	power cord Europe 3P	LT-312+LT-501	1	
0015	NE19429	label-RS	LYNX-MIX164 USB MK _V1.0	1	
0016	HD00009	glass tube fuse	1.6A 250V 5.2*20mm CSA/S/UL/VDE	1	
0017	NI02519	self-adhere foot cushion	15.9*8.0mm(RF-006)	4	
PF04386		MIXER	LYNX-MIX124 USB MK _ALTO_230V	1	
0001	HK10945	lead plane	LYNX-MIX124 USB MK	1	

Rank	Part No.	Description	Specification	QTY	Remark
0001	MA07947	panel-RS	LYNX-MIX244 USB MK STEREO_V1.1	1	
0002	MB06346	chassis-RS	LYNX-MIX244 USB MK STEREO_V1.0	1	
0003	MJ01400	side cover board-RS	LYNX-124USB_V1.0	1	
0004	MJ01401	side cover board-RS	LYNX-124USB_V1.0	1	
0005	HC00008	AC socket	3515 A TYPE(RF- 2004-C-4.8)	1	
0006	HC00206	BNC jack	WJ-7031(28*12.7)	1	
0007	HI00019	power switch	4P MSR-8	1	
0008	HI00171	power switch-RS	R612KKAT0F1	1	
0009	ME00015	color nut	3m/m	6	fix DSP board and front/rear panel
0010	ME00016	color nut	4m/m	1	lock ground cable
0011	MF00038	washer-RS	4* 7*1t	1	lock ground cable
0012	MF00048	washer-RS	4* 8*0.5t	1	lock ground cable
0013	MF00014	washer	3* 6.5*0.5t	1	fix separation screen
0014	ME00060	MIC jack	JY-6351G-02-250	51	lock HC00125
0015	MF00061	MIC jack	9.6* 13*0.5t	51	lock HC00125
0016	MG00377	screw	M3*16mm	8	lock right/left handle
0017	MG00036	screw	M3*4	3	fix DSP board
0018	MG00804	screw-RS-CT	M3*6*0.5PH_V1.0	20	fix front panel and PCB semifinished products
0019	MG00041	screw	M3*6	51	lock PC board and assembling
0020	MG00042	screw	M3*10	2	fix AC connector
0021	MG00580	screw	M3*10_V1.0	17	fix MIC male connector , MIC female connector and RCA connector
0022	MG00243	copper pillar	M3*5*0.5PH	3	fix DSP board
0023	MG00248	copper pillar	M3*15*0.5PHdouble plane	20	lock PC board and front panel
0024	MG00707	iron pillar	5.0*M3*37 42(VI000110)_V1.0	4	fix separation screen
0025	MI05062	separating shade-RS	LYNX-MIX244USB 0.3t*138*121.5*40_V1. 0	1	
0026	MJ00808	fixed clip	WL3-32T	2	
0027	ND00246	dustproof cloth-RS	0.35t*347*100mm 2016B_V1.1	1	
0028	ND00247	dustproof cloth	0.35t*100*50(2016B)_ V1.1	1	
0029	NI00252	sleeve	4*20mm	8	
0030	NI02547	handle	401*31*25mm	1	
0031	NI02548	handle	401*31*25mm	1	
0032	NI01862	key	5.5*5.5*14.5_V1.1	1	

Rank	Part No.	Description	Specification	QTY	Remark
0033	NI01863	key-RS	5.5*W10*7.5_V1.3	48	
0034	NI05634	key-RS-CT	5.5*W10*7.5 187C red_V1.0	18	
0035	NI02377	knob-RS	5.5*7.5(3.3*3.3mm)_V 1.2	15	
0036	NI02084	knob	10.5*18mm	1	MONO
0037	NI02386	konb-RS	14*13mm	2	DSP
0038	NI04004	knob	10*16.5 90 °V1.0	95	
0039	NI02692	knob cover	7*3.5 black	8	PAN、BAL
0040	NI02678	knob cover	7*3.5 534C blue	28	EQ (HI、 HI-MID、 MID、 MID-LOW、 LOW)
0041	NI02868	knob cover	7*3.5 white_V1.0	14	TRIM*16、 EQ (FREQ)*12、 PHONES*1、 CTRL RPPM*1
0042	NI04601	knob-RS	7*3.5 3298U_V1.0	22	AUX1、 AUX2、 AUX SEND1、 AUX SEND2、 STEREO AUX RETURNS1、 STERE,,O AUX RETURNS2
0043	NI04602	knob-RS	7*3.5 123U_V1.0	23	AUX3、 AUX4、 AUX SEND3、 AUX SEND4、 STEREO AUX RETURNS3、 STERE,,O AUX RETURNS4
0044	NI04042	knob	24*11.5*11_V 1.0	8	CHANNEL
0045	NI02353	knob	24*11.5*11	4	SUBGROUPS
0046	NI05472	slide key-RS	MIX 244 6*7*8 COOL GRAY 8U_V1.1	9	STEREO GRAPHIC EQ
0047	NI02352	knob	24*11.5*11	1	MAIN MIX LEVEL
0048	NI04557	insulator-RS	XM-24 0.5t*102.5*129_V1.2	2	
0049	HK10832	PC board	P-LYNX-MIX124USB USB-DIP	1	
0001	SC00003	crystal oscillator	12.000MHZ HC-49/US ±0PPM	1	
0002	HC00335	terminal for PCB	PCB-2-M3	2	
0003	HI00125	slide switch	SL20202-25Y-6mm	2	
0004	HC00754	USB socket	CU02SAH0000 90 °	1	
0005	HA00210	wire	260mm red L3R3	1	C26 positive terminal
0006	HA05353	wire-RS	12P-8P/4P 160/125mm UL1007 24AWG	1	

Rank	Part No.	Description	Specification	QTY	Remark
0007	AC00603	lead free soldering bar	S100	1.44	
0008	HK10496	PC board	P-LYNX-MIX124UM_USBMOD-AI	1	
0001	CB00192	electrolytic capacitor	10uF/16V 4*7mm	10	
0002	HK10495	PC board	P-LYNX-MIX124UM_USBMOD-SMD	1	
0001	CI00266	SMD ceramic capacitor-RS 0603	22PF/50V NPO $\pm 5\%$	2	
0002	CI00075	SMD ceramic capacitor 0603	0.1uF/50V Y5V +80,-20%	5	
0003	RD00544	SMD precise resistance 1/10W	22 $\pm 1\%$ 0603	2	
0004	RD00274	SMD precise resistor 1/10W	100 $\pm 1\%$ 0603	4	
0005	RD00201	SMD precise resistor 1/10W	1.50K $\pm 1\%$ 0603	1	
0006	RD00414	SMD precise resistor 1/10W	3.90K $\pm 1\%$ 0603	4	
0007	RD00214	SMD precise resistor 1/10W	10.0K $\pm 1\%$ 0603	4	
0008	RD00353	SMD fixed resistor 1/10W	36K $\pm 5\%$ 0603	4	
0009	RD00306	SMD fixed resistor 1/10W	20K $\pm 5\%$ 0603	4	
0010	RD00125	SMD fixed resistor 1/10W	1.0M $\pm 5\%$ 0603	1	
0011	CI00009	SMD ceramic capacitor 0805	33PF/50V NPO	2	
0012	CI00149	SMD ceramic capacitor 0805	330PF/50V NPO $\pm 5\%$	4	
0013	CI00108	SMD ceramic capacitor 0805	0.0018uF/50V NPO $\pm 5\%$	4	
0014	CI00030	SMD ceramic capacitor 0805	1uF/16V Y5V-0805(2012)	4	
0015	RD00002	SMD fixed resistor 1/8W	0.0 $\pm 5\%$ 0805	1	
0016	SG00489	SMD integrated circuit-RS	PCM2900E(SSOP28)/(TI)	1	
0017	SG00122	SMD integrated circuit-RS-ACT	NJM4580M-TE3(SOP8)/(JRC)	2	
0018	HB02951	PCB-RS	LYNX-MIX124 USB/UM_USBMOD(2*4)_VER081024	1	
0019	AE00553	SenJu solder paste	M705-GRN360-K2-V 0.5KG/bottle	0.168	
0050	HK10831	PC board	P-LYNX-MIX124USB PU2-DIP	1	

Rank	Part No.	Description	Specification	QTY	Remark
0001	HC00321	connector(male)	14P 2.0mm 180 °	2	
0002	HC00886	connector(male)-RS	2*8P 2.0mm 180 ° (A2004WV-2*8P)	1	
0003	HC00076	connector(male)	2P 2.5mm 180 °	1	
0004	SD00007	integrated circuit	BA15218N(M5218L)(S IP8)/(ROHM)	4	
0005	HC00126	balance MIC jack-RS	JY-5042-030G female plug 180 °	2	
0006	HC00125	MIC jack-RS	JY-6351G-02-250	10	
0007	HC00403	RCA jack	SCP6873NS3232T2 4P	1	
0008	RA01262	precise resistor 1/4W	6.81K ±%	4	
0009	CB00255	electrolytic capacitor	1000uF/10V 8*11mm 5mm	2	
0010	AC00603	lead free soldering bar	S100	3.82	
0011	HK10839	PC board	P-LYNX-MIX124USB PU2-AI	1	
0001	CB00238	electrolytic capacitor	0.22uF/50V 5*11mm	6	
0002	CB00194	electrolytic capacitor	47uF/25V 5*11mm	14	
0003	CB00334	electrolytic capacitor- RS	47uF/50V 6.3*11mm	4	
0004	HK10836	PC board	P-LYNX-MIX124USB PU2-SMD	1	
0001	CI00266	SMD ceramic capacitor-RS 0603	22PF/50V NPO ±%	32	
0002	CI00268	SMD ceramic capacitor-RS 0603	47PF/50V NPO ±%	2	
0003	CI00059	SMD ceramic capacitor 0603	100PF/50V NPO ±5%	16	
0004	CI00063	SMD ceramic capacitor 0603	470PF/50V NPO ±%	2	
0005	CI00075	SMD ceramic capacitor 0603	0.1uF/50V Y5V +80,- 20%	20	
0006	RD00298	SMD precise resistor 1/10W	47.0 ±% 0603	4	
0007	RD00282	SMD precise resistor 1/10W	1.00K ±% 0603	2	
0008	RD00351	SMD fixed resistor 1/10W	1.3K ±5% 0603	2	
0009	RD00406	SMD precise resistor 1/10W	3.60K ±% 0603	4	
0010	RD00210	SMD precise resistor 1/10W	5.11K ±% 0603	8	
0011	RD00214	SMD precise resistor 1/10W	10.0K ±% 0603	30	
0012	RD00219	SMD precise resistor 1/10W	20.0K ±% 0603	16	

Rank	Part No.	Description	Specification	QTY	Remark
0013	RD00550	SMD precise resistor 1/10W	27.0K \pm 1% 0603	16	
0014	RD00007	SMD fixed resistor 1/8W	120 \pm 5% 0805	8	
0015	SE00011	SMD rectifier diode	RLS4148 0.5A (LL-34)	8	
0016	SG00122	SMD integrated circuit-RS-ACT	NJM4580M- TE3(SOP8)/(JRC)	10	
0017	RD00224	SMD precise resistor 1/10W	100K \pm 1% 0603	8	
0018	RD00329	SMD precise resistor 1/10W	30.0K \pm 1% 0603	2	
0019	RD00090	SMD fixed resistor 1/10W	3.0K \pm 5% 0603	2	
0020	AE00553	SenJu solder paste	M705-GRN360-K2-V 0.5KG/bottle	0.53	
0021	HB02989	PCB-RS	LYNX-MIX124 USB/UM_PU2_VER09 0227	1	
0051	HK10830	PC board	P-LYNX-MIX124USB PU1-DIP	1	
0001	HC01128	connector(male)-RS	2*22P 2.54mm 180 °	1	
0002	HC00076	connector(male)	2P 2.5mm 180 °	1	
0003	HC00255	connector(male)	4P 2.0mm 180 °	1	
0004	HC00256	connector(male)	5P 2.0mm 180 °	1	
0005	HC00077	connector(male)	3P 2.5mm 180 °	1	
0006	HC00392	balance MIC jack-RS	JY-5030-030G 180 °	2	
0007	HC00125	MIC jack-RS	JY-6351G-02-250	33	
0008	HI00237	push-button switch- RS	2 12P KFC-D130- B(SELF-LOCK)	1	
0009	RC00359	potentiometer	W50K RD09F113A224- 50K4BT(SAS1);30F-C	1	
0010	CB00194	electrolytic capacitor	47uF/25V 5*11mm	7	
0011	AC00603	lead free soldering bar	S100	4.86	
0012	HK10835	PC board	P-LYNX-MIX124USB PU1-SMD	1	
0001	RD00102	SMD fixed resistor 1/10W	12K \pm 5% 0603	1	
0002	RD00509	SMD fixed resistor 1/10W	24K \pm 5% 0603	1	
0003	RD00306	SMD fixed resistor 1/10W	20K \pm 5% 0603	4	
0004	RD00105	SMD fixed resistor 1/10W	22K \pm 5% 0603	2	
0005	RD00352	SMD fixed resistor 1/10W	3.6K \pm 5% 0603	1	
0006	RD00094	SMD fixed resistor 1/10W	5.1K \pm 5% 0603	8	

Rank	Part No.	Description	Specification	QTY	Remark
0007	CI00266	SMD ceramic capacitor-RS 0603	22PF/50V NPO $\pm 5\%$	3	
0008	CI00075	SMD ceramic capacitor 0603	0.1uF/50V Y5V +80,-20%	4	
0009	RD00007	SMD fixed resistor 1/8W	120 $\pm 5\%$ 0805	50	
0010	SG00122	SMD integrated circuit-RS-ACT	NJM4580M-TE3(SOP8)/(JRC)	2	
0011	AE00553	SenJu solder paste	M705-GRN360-K2-V 0.5KG/bottle	0.2	
0012	HB02988	PCB-RS	LYNX-MIX124 USB/UM_PU1_VER09 0227	1	
0052	HK10829	PC board	P-LYNX-MIX124USB MONO-DIP	1	
0001	HC01127	connector(male)-RS	2*6P 2.0mm 180 ° (A2004WV-2*6P)	1	
0002	HC00126	balance MIC jack-RS	JY-5042-030G female plug 180 °	4	
0003	HC00125	MIC jack-RS	JY-6351G-02-250	8	
0004	HI00236	push-button switch-RS	2 6P KFC-D85- C(SELF-LOCK)	24	
0005	HI00237	push-button switch-RS	2 12P KFC-D130- B(SELF-LOCK)	4	
0006	SA00053	L.E.D	3 round(red)long foot 26mm	8	
0007	SA00054	L.E.D	3m/m round(yellow)long foot 26	4	
0008	SA00052	L.E.D	3 round(green)long foot 26	4	
0009	RC00284	slide potentiometer	D10K RF6011YP600F- 10KD(SAS1)	4	
0010	RC00672	potentiometer-RS	B50K XV09213YNPV30F- 1B50K C.C	12	
0011	RC00703	potentiometer-RS	W50K XV09213YNPV30F- 4BP50K CC	20	
0012	RC00671	potentiometer-RS	C500K XV012313YGPV30F- 15C500K C.C	4	
0013	RC00727	potentiometer-RS	Z10K XV09213YNPV30F914 Z10K	4	
0014	HA05356	wire-RS	15P 30mm UL2651 26AWG	2	
0015	HA02188	wire-RS	5P-5P 140mm UL1007 28AWG	1	

Rank	Part No.	Description	Specification	QTY	Remark
0016	HC00887	connector(male)-RS	2*10P 2.0mm 180 ° (A2004WV-2*10P)	1	
0017	HC00886	connector(male)-RS	2*8P 2.0mm 180 ° (A2004WV-2*8P)	1	
0018	NI01786	LED spacer support	LEDS-12 12mm	16	
0019	RA01262	precise resistor 1/4W	6.81K ±1%	8	
0020	AC00603	lead free soldering bar	S100	14.17	
0021	HK10838	PC board	P-LYNX-MIX124USB MONO-AI	1	
0001	CB00255	electrolytic capacitor	1000uF/10V 8*11mm 5mm	4	
0002	CB00238	electrolytic capacitor	0.22uF/50V 5*11mm	12	
0003	CB00242	electrolytic capacitor	22uF/35V 5*11mm	8	
0004	CB00194	electrolytic capacitor	47uF/25V 5*11mm	24	
0005	CB00334	electrolytic capacitor- RS	47uF/50V 6.3*11mm	8	
0006	HK10834	PC board	P-LYNX-MIX124USB MONO-SMD	1	
0001	CI00075	SMD ceramic capacitor 0603	0.1uF/50V Y5V +80,- 20%	28	
0002	CI00063	SMD ceramic capacitor 0603	470PF/50V NPO ±5%	12	
0003	CI00268	SMD ceramic capacitor-RS 0603	47PF/50V NPO ±5%	4	
0004	CI00266	SMD ceramic capacitor-RS 0603	22PF/50V NPO ±5%	28	
0005	RD00059	SMD fixed resistor 1/10W	0.0 ±5% 0603	4	
0006	RD00062	SMD fixed resistor 1/10W	18 ±5% 0603	4	
0007	RD00298	SMD precise resistor 1/10W	47.0 ±1% 0603	8	
0008	RD00069	SMD fixed resistor 1/10W	120 ±5% 0603	4	
0009	RD00083	SMD fixed resistor 1/10W	1.0K ±5% 0603	4	
0010	RD00351	SMD fixed resistor 1/10W	1.3K ±5% 0603	4	
0011	RD00085	SMD fixed resistor 1/10W	1.5K ±5% 0603	12	
0012	RD00090	SMD fixed resistor 1/10W	3.0K ±5% 0603	4	
0013	RD00406	SMD precise resistor 1/10W	3.60K ±1% 0603	8	
0014	RD00092	SMD fixed resistor 1/10W	3.9K ±5% 0603	4	

Rank	Part No.	Description	Specification	QTY	Remark
0015	RD00093	SMD fixed resistor 1/10W	4.7K $\pm 5\%$ 0603	12	
0016	RD00210	SMD precise resistor 1/10W	5.11K $\pm 1\%$ 0603	36	
0017	RD00095	SMD fixed resistor 1/10W	5.6K $\pm 5\%$ 0603	8	
0018	RD00097	SMD fixed resistor 1/10W	6.8K $\pm 5\%$ 0603	12	
0019	RD00102	SMD fixed resistor 1/10W	12K $\pm 5\%$ 0603	4	
0020	RD00219	SMD precise resistor 1/10W	20.0K $\pm 1\%$ 0603	12	
0021	RD00105	SMD fixed resistor 1/10W	22K $\pm 5\%$ 0603	4	
0022	RD00509	SMD fixed resistor 1/10W	24K $\pm 5\%$ 0603	4	
0023	RD00329	SMD precise resistor 1/10W	30.0K $\pm 1\%$ 0603	4	
0024	RD00353	SMD fixed resistor 1/10W	36K $\pm 5\%$ 0603	4	
0025	RD00371	SMD precise resistor 1/10W	51.1K $\pm 1\%$ 0603	8	
0026	RD00114	SMD fixed resistor 1/10W	68K $\pm 5\%$ 0603	4	
0027	RD00125	SMD fixed resistor 1/10W	1.0M $\pm 5\%$ 0603	4	
0028	RD00214	SMD precise resistor 1/10W	10.0K $\pm 1\%$ 0603	12	
0029	RD00334	SMD precise resistor 1/10W	11.0K $\pm 1\%$ 0603	8	
0030	RD00218	SMD precise resistor 1/10W	15.0K $\pm 1\%$ 0603	36	
0031	CI00098	SMD ceramic capacitor 0805	0.033uF/50V X7R $\pm 10\%$	8	
0032	SE00011	SMD rectifier diode	RLS4148 0.5A (LL-34)	20	
0033	SG00122	SMD integrated circuit-RS-ACT	NJM4580M- TE3(SOP8)/(JRC)	14	
0034	SF00056	transistor	MMBT3904(SOT23)/(P HI)	12	
0035	RD00098	SMD fixed resistor 1/10W	7.5K $\pm 5\%$ 0603	8	
0036	CI00023	SMD ceramic capacitor 0805	0.0022uF NPO $\pm 5\%$ - 50V	4	
0037	CI00026	SMD ceramic capacitor 0805	0.0033uF/50V X7R $\pm 10\%$	4	
0038	CI00275	SMD ceramic capacitor-RS 0805	0.0056uF/50V X7R $\pm 10\%$	8	
0039	AE00553	SenJu solder paste	M705-GRN360-K2-V 0.5KG/bottle	1.21	

Rank	Part No.	Description	Specification	QTY	Remark
0040	HB02990	PCB-RS	LYNX-MIX124 USB/UM_MONO1_VE R090227	1	
0053	HK10828	PC board	P-LYNX-MIX124USB MN1-DIP	1	
0001	HI00236	push-button switch- RS	2 6P KFC-D85- C(SELF-LOCK)	38	
0002	HI00238	push-button switch- RS	2 6P KFC-D85- D(NON-LOCK)	1	
0003	HI00237	push-button switch- RS	2 12P KFC-D130- B(SELF-LOCK)	14	
0004	HI00161	relay	RY-5W-K,5V	1	
0005	HI00195	rotary switch-RS- ACT	SDB161PVB15.5F-1-4- 16-16PC	2	
0006	SA00053	L.E.D	3 round(red)long foot 26mm	14	
0007	SA00054	L.E.D	3m/m round(yellow)long foot 26	6	
0008	SA00052	L.E.D	3 round(green)long foot 26	26	
0009	RC00284	slide potentiometer	D10K RF6011YP600F- 10KD(SAS1)	4	
0010	RC00285	slide potentiometer- dual unit	D10K RF60112P600G- 10KD*2(SAS1)	5	
0011	RC00669	potentiometer-RS	B50K XV012313YGPV30F- 3B50K C.C	16	
0012	RC00703	potentiometer-RS	W50K XV09213YNPV30F- 4BP50K CC	28	
0013	RC00670	potentiometer-RS	W50K XV012313YGPV30F- 4B50K C.C	11	
0014	RC00315	slide potentiometer	W100K RA3022- 202-15DA-W100K-C	9	
0015	HK07637	PC board	P-DSP-PRE- DIP(APM120)	1	
0001	HC00697	connector	2.0 90 °16P(gold- pated)2.5/9.5mm 2mm	1	
0002	AC00603	lead free soldering bar	S100	0.4	
0003	HK07638	PC board	P-DSP-PRE- SMD(APM120)	1	
0001	HB01916	PCB-RS	DSP- PRE(1*10)_VER07031 6	1	

Rank	Part No.	Description	Specification	QTY	Remark
0002	SG00306	SMD integrated circuit	LM393DR(TI)/(MEXICO)	1	
0003	SG00469	SMD integrated circuit-RS	SN74HC109DR(SO16)/(TI)	1	
0004	SG00068	SMD integrated circuit	74HC14DT(SO14)/(PHI)	1	
0005	SF00056	transistor	MMBT3904(SOT23)/(PHI)	1	
0006	RD00068	SMD fixed resistor 1/10W	100 \pm 5% 0603	2	
0007	SE00007	SMD rectifier diode	RB400D(D3A)	1	
0008	SE00009	SMD rectifier diode-RS	DAN202K/T-146	1	
0009	SE00028	SMD rectifier diode-RS-ACT	BAS316,115	2	
0010	RD00059	SMD fixed resistor 1/10W	0.0 \pm 5% 0603	1	
0011	RD00083	SMD fixed resistor 1/10W	1.0K \pm 5% 0603	1	
0012	RD00099	SMD fixed resistor 1/10W	8.2K \pm 5% 0603	2	
0013	RD00101	SMD fixed resistor 1/10W	10K \pm 5% 0603	14	
0014	RD00093	SMD fixed resistor 1/10W	4.7K \pm 5% 0603	1	
0015	RD00098	SMD fixed resistor 1/10W	7.5K \pm 5% 0603	1	
0016	RD00111	SMD fixed resistor 1/10W	47K \pm 5% 0603	1	
0017	RD00125	SMD fixed resistor 1/10W	1.0M \pm 5% 0603	1	
0018	RD00124	SMD fixed resistor 1/10W	820K \pm 5% 0603	1	
0019	RD00126	SMD fixed resistor 1/10W	2.2M \pm 5% 0603	1	
0020	CI00129	SMD ceramic capacitor 0603	0.0015uF/50V X7R \pm 10%	2	
0021	CL00002	SMD tantalum capacitor-RS-ACT	1.0uF/16V case A	2	
0022	CI00053	SMD ceramic capacitor 0603	33PF/50V C0G \pm 5%(C1608C0G1H330JT)/TDK	2	
0023	CL00006	SMD tantalum capacitor-RS-ACT	10uF/16V case B2	2	
0024	CI00051	SMD ceramic capacitor 0603	22PF/50V C0G \pm 5%(C1608C0G1H220JT)/TDK	4	
0025	CI00075	SMD ceramic capacitor 0603	0.1uF/50V Y5V +80,-20%	8	

Rank	Part No.	Description	Specification	QTY	Remark
0026	SE00085	SMD zener diode-RS	1/2W 2.4V ZMM55-C2V4	2	
0027	AE00553	SenJu solder paste	M705-GRN360-K2-V 0.5KG/bottle	0.124	
0028	SG00243	SMD integrated circuit	NE555DR(SO8)/(TI)	1	
0029	SG00122	SMD integrated circuit-RS-ACT	NJM4580M-TE3(SOP8)/(JRC)	3	
0030	RD00306	SMD fixed resistor 1/10W	20K $\pm 5\%$ 0603	2	
0031	RD00349	SMD fixed resistor 1/10W	910 $\pm 5\%$ 0603	1	
0032	RD00092	SMD fixed resistor 1/10W	3.9K $\pm 5\%$ 0603	1	
0016	HC00473	connector-RS	2.45mm 180 $^{\circ}$ 2*8P B25-2*8BG1(B)H=5mm	1	
0017	HC00397	connector(male)	10P 2.0mm 180 $^{\circ}$	1	
0018	HC00259	connector(male)	8P 2.0mm 180 $^{\circ}$	1	
0019	HC01128	connector(male)-RS	2*22P 2.54mm 180 $^{\circ}$	1	
0020	HA02446	wire-RS	14P(male)-14P(female) 60mm UL1007 28AWG	2	
0021	HC00256	connector(male)	5P 2.0mm 180 $^{\circ}$	1	
0022	HC00077	connector(male)	3P 2.5mm 180 $^{\circ}$	2	
0023	NI01786	LED spacer support	LEDS-12 12mm	46	
0024	RA01260	fixed resistor 1/4W	120	2	
0025	RA01259	fixed resistor 1/4W	47	2	
0026	AC00603	lead free soldering bar	S100	26.59	
0027	HK10842	PC board	P-LYNX-MIX124USBMN1-BT-SMD	1	
0001	RD00059	SMD fixed resistor 1/10W	0.0 $\pm 5\%$ 0603	2	
0002	RD00062	SMD fixed resistor 1/10W	18 $\pm 5\%$ 0603	6	
0003	RD00544	SMD precise resistance 1/10W	22 $\pm 1\%$ 0603	2	
0004	RD00304	SMD fixed resistor 1/10W	33 $\pm 5\%$ 0603	2	
0005	RD00065	SMD fixed resistor 1/10W	47 $\pm 5\%$ 0603	2	
0006	RD00297	SMD precise resistor 1/10W	60.4 $\pm 1\%$ 0603	4	
0007	RD00275	SMD precise resistor 1/10W	110 $\pm 1\%$ 0603	2	
0008	RD00276	SMD precise resistor 1/10W	169 $\pm 1\%$ 0603	2	

Rank	Part No.	Description	Specification	QTY	Remark
0009	RD00277	SMD precise resistor 1/10W	200 \pm % 0603	6	
0010	RD00542	SMD precise resistance 1/10W	220 \pm % 0603	2	
0011	RD00074	SMD fixed resistor 1/10W	270 \pm % 0603	2	
0012	RD00089	SMD fixed resistor 1/10W	2.7K \pm % 0603	4	
0013	RD00096	SMD fixed resistor 1/10W	6.2K \pm % 0603	18	
0014	RD00097	SMD fixed resistor 1/10W	6.8K \pm % 0603	2	
0015	RD00214	SMD precise resistor 1/10W	10.0K \pm % 0603	4	
0016	RD00218	SMD precise resistor 1/10W	15.0K \pm % 0603	6	
0017	RD00306	SMD fixed resistor 1/10W	20K \pm % 0603	4	
0018	RD00509	SMD fixed resistor 1/10W	24K \pm % 0603	4	
0019	RD00353	SMD fixed resistor 1/10W	36K \pm % 0603	16	
0020	RD00109	SMD fixed resistor 1/10W	39K \pm % 0603	2	
0021	RD00111	SMD fixed resistor 1/10W	47K \pm % 0603	3	
0022	RE00011	SMD resistor networks 1/16W	680 *4 \pm % 8P 1206(0603x4)	2	
0023	RD00114	SMD fixed resistor 1/10W	68K \pm % 0603	20	
0024	CI00075	SMD ceramic capacitor 0603	0.1uF/50V Y5V +80,-20%	1	
0025	CI00026	SMD ceramic capacitor 0805	0.0033uF/50V X7R \pm 10%	2	
0026	CI00116	SMD ceramic capacitor 0805	0.0039uF/50V X7R \pm 10%	2	
0027	CI00147	SMD ceramic capacitor 0805	0.0082uF/50V X7R \pm 10%	2	
0028	CI00289	SMDceramic capacitor-RS	0.012uF/50V X7R \pm 10%	4	
0029	CI00151	SMD ceramic capacitor 0805	0.015uF/50V X7R \pm 10%	6	
0030	CI00097	SMD ceramic capacitor 0805	0.027uF/50V X7R \pm 10%	2	
0031	CI00099	SMD ceramic capacitor 0805	0.068uF/50V X7R \pm 10%	2	
0032	CI00100	SMD ceramic capacitor 0805	0.1uF/50V X7R \pm 10%	4	
0033	CI00305	SMDceramic capacitor-RS	0.12UF/50V X7R \pm 10%	2	

Rank	Part No.	Description	Specification	QTY	Remark
0034	CI00146	SMD ceramic capacitor 0805	0.22uF/50V X7R \pm 0%	6	
0035	CI00276	SMD ceramic capacitor-RS	0.47uF/25V X7R \pm 0%	2	
0036	CI00306	SMD ceramic capacitor-RS	1.0uF/25V X7R \pm 0%	2	
0037	SE00011	SMD rectifier diode	RLS4148 0.5A (LL-34)	1	
0038	SF00031	SMD transistor-RS-ACT	BC847B(SOT23)/(PHI)	18	
0039	HK10837	PC board	P-LYNX-MIX124USB MN1-AI	1	
0001	CB00248	electrolytic capacitor	2.2uF/50V 4*5mm	1	
0002	CB00190	electrolytic capacitor	4.7uF/25V 4*7mm	3	
0003	CB00194	electrolytic capacitor	47uF/25V 5*11mm	107	
0004	CB00268	electrolytic capacitor	330uF/16V 8*11mm 5mm	1	
0005	CB00255	electrolytic capacitor	1000uF/10V 8*11mm 5mm	1	
0006	HK10833	PC board	P-LYNX-MIX124USB MN1-SMD	1	
0001	CI00266	SMD ceramic capacitor-RS 0603	22PF/50V NPO \pm 5%	81	
0002	CI00059	SMD ceramic capacitor 0603	100PF/50V NPO \pm 5%	10	
0003	CI00062	SMD ceramic capacitor 0603	330PF/50V NPO \pm 5%	2	
0004	CI00075	SMD ceramic capacitor 0603	0.1uF/50V Y5V +80,-20%	93	
0005	RD00346	SMD fixed resistor 1/10W	56 \pm 5% 0603	1	
0006	RD00069	SMD fixed resistor 1/10W	120 \pm 5% 0603	17	
0007	RD00542	SMD precise resistance 1/10W	220 \pm 1% 0603	6	
0008	RD00076	SMD fixed resistor 1/10W	330 \pm 5% 0603	2	
0009	RD00078	SMD fixed resistor 1/10W	470 \pm 5% 0603	4	
0010	RD00347	SMD fixed resistor 1/10W	510 \pm 5% 0603	3	
0011	RD00348	SMD fixed resistor 1/10W	620 \pm 5% 0603	1	
0012	RD00083	SMD fixed resistor 1/10W	1.0K \pm 5% 0603	12	
0013	RD00351	SMD fixed resistor 1/10W	1.3K \pm 5% 0603	1	
0014	RD00084	SMD fixed resistor 1/10W	1.2K \pm 5% 0603	8	
0015	RD00085	SMD fixed resistor 1/10W	1.5K \pm 5% 0603	13	

Rank	Part No.	Description	Specification	QTY	Remark
0016	RD00086	SMD fixed resistor 1/10W	1.8K $\pm 5\%$ 0603	32	
0017	RD00087	SMD fixed resistor 1/10W	2.0K $\pm 5\%$ 0603	1	
0018	RD00088	SMD fixed resistor 1/10W	2.2K $\pm 5\%$ 0603	1	
0019	RD00089	SMD fixed resistor 1/10W	2.7K $\pm 5\%$ 0603	16	
0020	RD00093	SMD fixed resistor 1/10W	4.7K $\pm 5\%$ 0603	17	
0021	RD00094	SMD fixed resistor 1/10W	5.1K $\pm 5\%$ 0603	22	
0022	RD00095	SMD fixed resistor 1/10W	5.6K $\pm 5\%$ 0603	13	
0023	RD00097	SMD fixed resistor 1/10W	6.8K $\pm 5\%$ 0603	58	
0024	RD00099	SMD fixed resistor 1/10W	8.2K $\pm 5\%$ 0603	1	
0025	RD00214	SMD precise resistor 1/10W	10.0K $\pm 1\%$ 0603	75	
0026	RD00102	SMD fixed resistor 1/10W	12K $\pm 5\%$ 0603	20	
0027	RD00218	SMD precise resistor 1/10W	15.0K $\pm 1\%$ 0603	60	
0028	RD00368	SMD precise resistor 1/10W	16.5K $\pm 1\%$ 0603	2	
0029	RD00473	SMD precise resistor 1/10W	18.0K $\pm 1\%$ 0603	8	
0030	RD00306	SMD fixed resistor 1/10W	20K $\pm 5\%$ 0603	49	
0031	RD00105	SMD fixed resistor 1/10W	22K $\pm 5\%$ 0603	16	
0032	RD00509	SMD fixed resistor 1/10W	24K $\pm 5\%$ 0603	1	
0033	RD00329	SMD precise resistor 1/10W	30.0K $\pm 1\%$ 0603	2	
0034	RD00108	SMD fixed resistor 1/10W	33K $\pm 5\%$ 0603	4	
0035	RD00353	SMD fixed resistor 1/10W	36K $\pm 5\%$ 0603	40	
0036	RD00109	SMD fixed resistor 1/10W	39K $\pm 5\%$ 0603	6	
0037	RD00111	SMD fixed resistor 1/10W	47K $\pm 5\%$ 0603	8	
0038	RD00112	SMD fixed resistor 1/10W	56K $\pm 5\%$ 0603	8	
0039	RD00114	SMD fixed resistor 1/10W	68K $\pm 5\%$ 0603	6	
0040	RD00116	SMD fixed resistor 1/10W	100K $\pm 5\%$ 0603	4	

Rank	Part No.	Description	Specification	QTY	Remark	
	0041	RD00118	SMD fixed resistor 1/10W	150K \pm 5% 0603	2	
	0042	RD00119	SMD fixed resistor 1/10W	220K \pm 5% 0603	17	
	0043	RD00125	SMD fixed resistor 1/10W	1.0M \pm 5% 0603	16	
	0044	RD00002	SMD fixed resistor 1/8W	0.0 \pm 5% 0805	1	
	0045	CI00022	SMD ceramic capacitor 0805	0.001uF/50V X7R	8	
	0046	CI00026	SMD ceramic capacitor 0805	0.0033uF/50V X7R \pm 10%	16	
	0047	CI00289	SMDceramic capacitor-RS	0.012uF/50V X7R \pm 10%	16	
	0048	CI00133	SMD ceramic capacitor 0805	0.047uF/-50V X7R \pm 0 %	8	
	0049	SE00008	SMD rectifier diode	DA204K/T-146	1	
	0050	SF00039	transistor	MMBFJ112(SOT23)/(F AIRCHILD)	5	
	0051	SG00210	SMD integrated circuit	LM339DT/(ST)	6	
	0052	SG00122	SMD integrated circuit-RS-ACT	NJM4580M- TE3(SOP8)/(JRC)	46	
	0053	SE00011	SMD rectifier diode	RLS4148 0.5A (LL-34)	10	
	0054	SF00056	transistor	MMBT3904(SOT23)/(P HI)	14	
	0055	SF00053	transistor	MMBT3906(SOT23)/(P HI)	3	
	0056	AE00553	SenJu solder paste	M705-GRN360-K2-V 0.5KG/bottle	2.87	
	0057	HB02987	PCB-RS	LYNX-MIX124 USB/UM_MN1_VER09 0227	1	
	0054	HK01409	PC board-RS	P-313123-DIP(AMX- 140FX)	1	
	0001	SC00004	crystal oscillator	16.00MHZ	1	
	0002	HC00484	connector	2.54 180 2*8P(gold- plated) 13.5/19mm	1	TIP on copper foil side
	0003	SG00193	SMD integrated circuit	SST39VF010-70n/L-8	1	
	0004	HK03894	PC board-RS-ACT	P-313123-SMD(L-8)	1	
	0001	HB00895	PCB	313123/2(1*6)	1	
	0002	CI00075	SMD ceramic capacitor 0603	0.1uF/50V Y5V +80,- 20%	13	
	0003	RD00061	SMD fixed resistor 1/10W	10 \pm 5% 0603	1	
	0004	RD00068	SMD fixed resistor 1/10W	100 \pm 5% 0603	8	
	0005	RD00073	SMD fixed resistor 1/10W	220 \pm 5% 0603	1	

Rank	Part No.	Description	Specification	QTY	Remark
0006	RD00085	SMD fixed resistor 1/10W	1.5K $\pm 5\%$ 0603	10	
0007	RD00088	SMD fixed resistor 1/10W	2.2K $\pm 5\%$ 0603	8	
0008	RD00101	SMD fixed resistor 1/10W	10K $\pm 5\%$ 0603	3	
0009	RD00125	SMD fixed resistor 1/10W	1.0M $\pm 5\%$ 0603	1	
0010	RE00006	SMD resistor networks 1/16W	100 *4 $\pm 5\%$ 8P 1206(0603x4)	2	
0011	SE00011	SMD rectifier diode	RLS4148 0.5A (LL-34)	1	
0012	SG00068	SMD integrated circuit	74HC14DT(SO14)/(PHI)	1	
0013	SG00410	SMD integrated circuit-RS-ACT	IC41LV16256- 35KG(SOJ40)/(ICSI)	1	
0014	SG00166	SMD integrated circuit	TY-2 ALTO(GMCODE:1050 22)	1	
0015	SG00037	SMD integrated circuit	LD1117DT33C(TO252) /(ST)	1	
0016	HC00611	IC socket (SMD)	PLCC32 (AMP S/N:822516-7)	1	
0017	SG00016	SMD integrated circuit	UDA1345TS(SSOP28)/ (PHI)	1	
0018	AE00553	SenJu solder paste	M705-GRN360-K2-V 0.5KG/bottle	0.386	
0019	CI00264	SMD ceramic capacitor-RS 0603	15PF/50V NPO $\pm 5\%$	2	
0005	NE11475	label	L-8	1	
0006	AC00603	lead free soldering bar	S100	5.058	
0007	CB00166	electrolytic capacitor	100uF/16V 6*5mm	11	
0055	HK10004	PC board	P-LYNX- MIX244_PSM80WA- DIP	1	
0001	HA01935	jump	12.5mm	3	
0002	RA00022	metal-oxide-film resistor 1W	33K	1	
0003	CB00237	electrolytic capacitor	1.0uF/50V 5*11mm 2.5mm	1	
0004	CB00188	electrolytic capacitor	10uF/63V 5*11mm 2.5mm	3	
0005	CB00034	electrolytic capacitor	33uF/16V 5*11mm	1	
0006	CB00260	electrolytic capacitor	47uF/35V 5*11mm 2.5mm	1	
0007	CB00279	electrolytic capacitor	100uF/100V 10*20mm	1	
0008	CB00337	electrolytic capacitor- RS	220uF/400V 30*31mm	1	

Rank	Part No.	Description	Specification	QTY	Remark
0009	CB00064	electrolytic capacitor	470uF/16V 10*12mm	1	
0010	CB00065	electrolytic capacitor	470uF/25V 10*16mm	4	
0011	CB00079	electrolytic capacitor	2200uF/25V 13*25mm	2	
0012	CG00020	X1/Y2 capacitor	4700PF Y5V X1-400V Y2-250V	1	
0013	CG00082	X2 capacitor-RS- ACT	0.1uF/275V ±20% R46- KI3100-JP M1M(ARC)	2	
0014	CG00033	metal oxide varistors	B57237-S100-M	1	
0015	CG00092	metal oxide varistors- RS	CNR-14D431K/(CNR)	1	
0016	SA00130	diode-RS-ACT	1A/600V/35ns BYV26C	1	
0017	SA00004	high speed diode-RS	2A/100V BYV27- 200,113	3	
0018	SA00144	diode-RS	BYV28-200- TAP(SOD64)/(VISHAY)	2	
0019	SA00093	rectifier diode	1N4148 0.5A	1	
0020	SA00222	diode-RS-ACT	2.2A/274V P6KE200A	1	
0021	SA00223	zener diode-RS-ACT	3.6W 36V KA431AZ(TO-92)	1	
0022	SB00064	transistor-RS-ACT	TIP41C(TO220)/(ST)	1	
0023	SD00074	integrated circuit	L7805CV(TO220)/(ST)	1	
0024	SD00319	integrated circuit-RS	TOP248YN(TO220)/(PI)	1	
0025	SB00012	Photodiode-RS-ACT	H11A817C.300/(QT)	1	
0026	SA00221	bridge rectifier	2A/600V KBP206	1	
0027	TC00424	transformer-RS	ETD29_80W_AC90- 240	1	
0028	CN00235	inductance-RS	12uH(WL-333)	2	
0029	CN00153	inductance-RS-ACT	3mH UT20-H125NP	1	
0030	HC00076	connector(male)	2P 2.5mm 180 °	2	
0031	HC00082	connector(male)	8P 2.5mm 180 °	1	
0032	HC00173	connector(male)	3P 3.96mm 180 °	1	
0033	CN00228	magnetic bead-RS	GF4 RH 3.5*5*1.8	2	used with Q1's 1,3 pin
0034	MI03847	heat-sink-RS	2.9*77*30*15_V1.2	1	TOP248
0035	MI00256	heat-sink	25*15*10.6-1PIN SCL- 2020	2	TIP41 , 7805
0036	NI02249	plastic washer	TW-1(TO-220)	3	TOP248,TIP41,7805
0037	NC00167	mica-RS	13*18(3.6)TO-220	3	TOP248,TIP41,7805
0038	MF00014	washer	3* 6.5*0.5t	2	fix TOP248 heat sinl

Rank	Part No.	Description	Specification	QTY	Remark
0039	MF00037	washer	3.2* 5*0.8t	3	fix TOP248,TIP41,7805
0040	MI04729	separating shade-RS	TYPHOON PS3200 24*18*25_V1.1	1	separate input inductor
0041	AC00603	lead free soldering bar	S100	3.118	
0042	HK10005	PC board	P-LYNX- MIX244_PSM80WA- SMD	1	
0001	CI00103	SMD ceramic capacitor 1206	100PF/50V NPO $\pm 5\%$	5	
0002	CI00154	SMD ceramic capacitor 1206	0.1uF/100V X7R $\pm 0\%$	12	
0003	RD00412	SMD precise resistor 1/4W	6.8 $\pm 1\%$ 1206	1	
0004	RD00597	SMD precise resistor- RS 1/4W	100 $\pm 1\%$ 1206	1	
0005	RD00400	SMD fixed resistor 1/4W	220 $\pm 5\%$ 1206	1	
0006	RD00410	SMD precise resistor 1/4W	470 $\pm 1\%$ 1206	5	
0007	RD00245	SMD precise resistor 1/4W	1.00K $\pm 1\%$ 1206	2	
0008	RD00440	SMD fixed resistor 1/8W	5.1K $\pm 5\%$ 0805	1	
0009	RD00399	SMD precise resistor 1/4W	10.0K $\pm 1\%$ 1206	9	
0010	RD00255	SMD precise resistor 1/4W	100K $\pm 1\%$ 1206	1	
0011	RD00617	SMD fixed resistor- RS 1/4W	2.0M $\pm 5\%$ 1206	1	
0012	SE00110	SMD zener diode- RS-ACT	1/2W 47V ZMM55C47 SOD80	1	
0013	HB02832	PCB-RS	LYNX- MIX244_PSM80WA_V ER080505	1	
0043	MG00196	screw	M3*8	5	
0044	CG00023	X1/Y1 capacitor	0.0022uF/250VAC Y5U	2	
0045	CG00046	X1/Y2 capacitor AY2	2200PF VDE/UL $\pm 20\%$ X1:400V~ Y2:250V~	2	
0046	SB00287	transistor-RS-ACT	2N5551(TO92)/(UTC)	1	
0056	HA01619	wire-RS	2P 220mm UL1007 24AWG	1	
0057	HA01469	wire-RS	2P 300mm UL1007 24AWG	1	
0058	HA01174	single terminal wiring CF:W146	80 green/yellow	1	

Rank	Part No.	Description	Specification	QTY	Remark
0059	HA01835	wire-RS	70mm brown L10R10	2	
0060	HA04139	wire-RS	3P 200mm UL1015 18AWG	1	
0061	HA01404	wire-RS	2P-2P 90mm UL1007 24AWG	1	
0062	HA00397	wire	330mm black L5R5	2	
0063	HA02891	wire-RS	3P-3P 400mm UL2547 28AWG	1	
0064	HA05367	wire-RS	10P-(2*10P) 130mm UL1007 22AWG	1	
0065	HA05365	wire-RS	8P-(2*8P) 130mm UL1007 22AWG	1	
0066	HA05366	wire-RS	8P-(2*8P)/(2*6P) 145/160mm UL1007 22AWG	1	
0067	HA05357	wire-RS	44P-44P 620mm UL2651 28AWG PH1.27	1	
0068	NE19434	label-RS-CT	LYNX-MIX124 USB MK MIC1-6_V1.0	1	
0069	NE19418	label-RS-CT	LYNX-MIX244 USB MK 1-4_V1.0	1	
0070	NE19437	label-RS-CT	LYNX-MIX124 USB MK 1-12_V1.0	1	
0071	NE19440	label-RS-CT	LYNX-MIX124 USB MK _V1.0	1	
0072	NE19431	label-RS-CT	LYNX-MIX124 USB MK _V1.0	1	
0002	HK10946	package	LYNX-MIX124 USB MK	1	
0001	NB02473	cushion	L-12;16;20series contrary	1	
0002	NB02474	cushion	L-12;16;20series right	1	
0003	NA00137	clip-chain bag	5*7	1	pack corner pad
0004	NA00859	PE bag-RS	0.04t*220*200mm_V1. 0	1	pack user's manual
0005	NA00279	clip-chain bag	0.04t*100*150mm_V1. 0	1	pack warranty card
0006	NA00912	PE bag-RS-ACT	0.05t*600*1000mm_V1 .0	1	
0007	NB06415	inner case-RS-CT	LYNX-MIX124 USB MK ALTO_V1.0	1	
0008	NB06416	carton-RS-CT	LYNX-MIX124 USB MK ALTO_V1.1	1	
0009	NA01019	silk wadding-RS-CT	LYNX MIX124USB 300*160*30_V1.0	2	
0010	NE05004	label	ALTO PF_V1.2	4	
0011	NE17008	lable-RS	LYNX-124 USB_V1.1	4	
0012	NF00061	assurance card-RS-C	ALTO_V1.1	1	

Rank	Part No.	Description	Specification	QTY	Remark
0013	NF03280	user manual-RS	LYNX-MIX USB MK SERIES ALTO_V1.0	1	
0014	HA00861	power cord Europe 3P	LT-312+LT-501	1	
0015	NE19428	label-RS	LYNX-MIX124 USB MK _V1.0	1	
0016	HD00123	glass tube fuse- slow(spiral)	T1.25A 250V 5.2*20mm CSA/CCC/UL/VDE	1	
0017	NI02519	self-adhere foot cushion	15.9*8.0mm(RF-006)	4	
PF04387		MIXER	LYNX-MIX124 UM MK _ALTO_230V	1	
0001	HK10947	lead plane	LYNX-MIX124 UM MK	1	
0001	MA07968	panel-RS	LYNX-MIX124UM MK _V1.0	1	
0002	MB06346	chassis-RS	LYNX-MIX244 USB MK STEREO V1.0	1	
0003	MJ01400	side cover board-RS	LYNX-124USB_V1.0	1	
0004	MJ01401	side cover board-RS	LYNX-124USB_V1.0	1	
0005	HC00008	AC socket	3515 A TYPE(RF- 2004-C-4.8)	1	
0006	HI00019	power switch	4P MSR-8	1	
0007	HI00171	power switch-RS	R612KKAT0F1	1	
0008	ME00015	color nut	3m/m	6	fix DSP board and front/rear panel
0009	ME00016	color nut	4m/m	1	lock ground cable
0010	MF00038	washer-RS	4* 7*1t	1	lock ground cable
0011	MF00048	washer-RS	4* 8*0.5t	1	lock ground cable
0012	MF00014	washer	3* 6.5*0.5t	1	fix separation screen
0013	ME00060	MIC jack	JY-6351G-02-250	51	lock HC00125
0014	MF00061	MIC jack	9.6* 13*0.5t	51	lock HC00125
0015	MG00377	screw	M3*16mm	8	lock right/left handle
0016	MG00036	screw	M3*4	3	fix DSP board
0017	MG00804	screw-RS-CT	M3*6*0.5PH_V1.0	22	fix front panel and PCB semifinished products
0018	MG00041	screw	M3*6	57	lock PC board and assembling
0019	MG00042	screw	M3*10	2	fix AC connector
0020	MG00580	screw	M3*10_V1.0	17	fix MIC male connector , MIC female connector and RCA connector
0021	MG00243	copper pillar	M3*5*0.5PH	3	fix DSP bozrd

Rank	Part No.	Description	Specification	QTY	Remark
0022	MG00248	copper pillar	M3*15*0.5PHdouble plane	20	lock PC board and front panel
0023	MG00246	copper pillar	M3*12*0.5PHdouble plane	2	
0024	MG00707	iron pillar	5.0*M3*37 42(VI000110)_V1.0	4	fix separation screen
0025	MI05062	separating shade-RS	LYNX-MIX244USB 0.3t*138*121.5*40_V1.0	1	
0026	MJ00808	fixed clip	WL3-32T	2	
0027	ND00246	dustproof cloth-RS	0.35t*347*100mm 2016B_V1.1	1	
0028	ND00247	dustproof cloth	0.35t*100*50(2016B)_ V1.1	1	
0029	NI00252	sleeve	4*20mm	8	
0030	NI02547	handle	401*31*25mm	1	
0031	NI02548	handle	401*31*25mm	1	
0032	NI01862	key	5.5*5.5*14.5_V1.1	1	
0033	NI01863	key-RS	5.5*W10*7.5_V1.3	48	
0034	NI05634	key-RS-CT	5.5*W10*7.5 187C red_V1.0	18	
0035	NI02377	knob-RS	5.5*7.5(3.3*3.3mm)_V 1.2	16	
0036	NI02084	knob	10.5*18mm	1	MONO
0037	NI02386	konb-RS	14*13mm	2	DSP
0038	NI04004	knob	10*16.5 90 °V1.0	95	
0039	NI02692	knob cover	7*3.5 black	8	PAN、BAL
0040	NI02678	knob cover	7*3.5 534C blue	28	EQ (HI、 HI-MID、 MID、 MID-LOW、 LOW)
0041	NI02868	knob cover	7*3.5 white_V1.0	14	TRIM*16、 EQ (FREQ)*12、 PHONES*1、 CTRL RPPM*1
0042	NI04601	knob-RS	7*3.5 3298U_V1.0	22	AUX1、 AUX2、 AUX SEND1、 AUX SEND2、 STEREO AUX RETURNS1、 STERE,,O AUX RETURNS2
0043	NI04602	knob-RS	7*3.5 123U_V1.0	23	AUX3、 AUX4、 AUX SEND3、 AUX SEND4、 STEREO AUX RETURNS3、 STERE,,O AUX RETURNS4
0044	NI04042	knob	24*11.5*11_V 1.0	8	CHANNEL

Rank	Part No.	Description	Specification	QTY	Remark
0045	NI02353	knob	24*11.5*11	4	SUBGROUPS
0046	NI05472	slide key-RS	MIX 244 6*7*8 COOL GRAY 8U_V1.1	9	STEREO GRAPHIC EQ
0047	NI02352	knob	24*11.5*11	1	MAIN MIX LEVEL
0048	NI00606	button	5.5*7.1	4	
0049	NI05519	acrylic-RS	LYNX-MIX124 UM_V1.0	1	
0050	NI04557	insulator-RS	XM-24 0.5t*102.5*129_V1.2	2	
0051	NI02249	plastic washer	TW-1(TO-220)	2	
0052	HK10832	PC board	P-LYNX-MIX124USB USB-DIP	1	
0001	SC00003	crystal oscillator	12.000MHZ HC-49/US ±20PPM	1	
0002	HC00335	terminal for PCB	PCB-2-M3	2	
0003	HI00125	slide switch	SL20202-25Y-6mm	2	
0004	HC00754	USB socket	CU02SAH0000 90 °	1	
0005	HA00210	wire	260mm red L3R3	1	C26 positive terminal
0006	HA05353	wire-RS	12P-8P/4P 160/125mm UL1007 24AWG	1	
0007	AC00603	lead free soldering bar	S100	1.44	
0008	HK10496	PC board	P-LYNX-MIX124UM_USBMOD -AI	1	
0001	CB00192	electrolytic capacitor	10uF/16V 4*7mm	10	
0002	HK10495	PC board	P-LYNX-MIX124UM_USBMOD -SMD	1	
0001	CI00266	SMD ceramic capacitor-RS 0603	22PF/50V NPO ±5%	2	
0002	CI00075	SMD ceramic capacitor 0603	0.1uF/50V Y5V +80,-20%	5	
0003	RD00544	SMD precise resistance 1/10W	22 ±1% 0603	2	
0004	RD00274	SMD precise resistor 1/10W	100 ±1% 0603	4	
0005	RD00201	SMD precise resistor 1/10W	1.50K ±1% 0603	1	
0006	RD00414	SMD precise resistor 1/10W	3.90K ±1% 0603	4	
0007	RD00214	SMD precise resistor 1/10W	10.0K ±1% 0603	4	
0008	RD00353	SMD fixed resistor 1/10W	36K ±5% 0603	4	
0009	RD00306	SMD fixed resistor 1/10W	20K ±5% 0603	4	
0010	RD00125	SMD fixed resistor 1/10W	1.0M ±5% 0603	1	

Rank	Part No.	Description	Specification	QTY	Remark
0011	CI00009	SMD ceramic capacitor 0805	33PF/50V NPO	2	
0012	CI00149	SMD ceramic capacitor 0805	330PF/50V NPO $\pm 5\%$	4	
0013	CI00108	SMD ceramic capacitor 0805	0.0018uF/50V NPO $\pm 5\%$	4	
0014	CI00030	SMD ceramic capacitor 0805	1uF/16V Y5V-0805(2012)	4	
0015	RD00002	SMD fixed resistor 1/8W	0.0 $\pm 5\%$ 0805	1	
0016	SG00489	SMD integrated circuit-RS	PCM2900E(SSOP28)/(TI)	1	
0017	SG00122	SMD integrated circuit-RS-ACT	NJM4580M-TE3(SOP8)/(JRC)	2	
0018	HB02951	PCB-RS	LYNX-MIX124 USB/UM_USBMOD(2*4)_VER081024	1	
0019	AE00553	SenJu solder paste	M705-GRN360-K2-V 0.5KG/bottle	0.168	
0053	HK10831	PC board	P-LYNX-MIX124USB PU2-DIP	1	
0001	HC00321	connector(male)	14P 2.0mm 180 °	2	
0002	HC00886	connector(male)-RS	2*8P 2.0mm 180 ° (A2004WV-2*8P)	1	
0003	HC00076	connector(male)	2P 2.5mm 180 °	1	
0004	SD00007	integrated circuit	BA15218N(M5218L代用)(SIP8)/(ROHM)	4	
0005	HC00126	balance MIC jack-RS	JY-5042-030G female plug 180 °	2	
0006	HC00125	MIC jack-RS	JY-6351G-02-250	10	
0007	HC00403	RCA jack	SCP6873NS3232T2 4P	1	
0008	RA01262	precise resistor 1/4W	6.81K $\pm 1\%$	4	
0009	CB00255	electrolytic capacitor	1000uF/10V 8*11mm 5mm	2	
0010	AC00603	lead free soldering bar	S100	3.82	
0011	HK10839	PC board	P-LYNX-MIX124USB PU2-AI	1	
0001	CB00238	electrolytic capacitor	0.22uF/50V 5*11mm	6	
0002	CB00194	electrolytic capacitor	47uF/25V 5*11mm	14	
0003	CB00334	electrolytic capacitor-RS	47uF/50V 6.3*11mm	4	
0004	HK10836	PC board	P-LYNX-MIX124USB PU2-SMD	1	
0001	CI00266	SMD ceramic capacitor-RS 0603	22PF/50V NPO $\pm 5\%$	32	
0002	CI00268	SMD ceramic capacitor-RS 0603	47PF/50V NPO $\pm 5\%$	2	

Rank	Part No.	Description	Specification	QTY	Remark
0003	CI00059	SMD ceramic capacitor 0603	100PF/50V NPO $\pm 5\%$	16	
0004	CI00063	SMD ceramic capacitor 0603	470PF/50V NPO $\pm 5\%$	2	
0005	CI00075	SMD ceramic capacitor 0603	0.1uF/50V Y5V +80,-20%	20	
0006	RD00298	SMD precise resistor 1/10W	47.0 $\pm 1\%$ 0603	4	
0007	RD00282	SMD precise resistor 1/10W	1.00K $\pm 1\%$ 0603	2	
0008	RD00351	SMD fixed resistor 1/10W	1.3K $\pm 5\%$ 0603	2	
0009	RD00406	SMD precise resistor 1/10W	3.60K $\pm 1\%$ 0603	4	
0010	RD00210	SMD precise resistor 1/10W	5.11K $\pm 1\%$ 0603	8	
0011	RD00214	SMD precise resistor 1/10W	10.0K $\pm 1\%$ 0603	30	
0012	RD00219	SMD precise resistor 1/10W	20.0K $\pm 1\%$ 0603	16	
0013	RD00550	SMD precise resistor 1/10W	27.0K $\pm 1\%$ 0603	16	
0014	RD00007	SMD fixed resistor 1/8W	120 $\pm 5\%$ 0805	8	
0015	SE00011	SMD rectifier diode	RLS4148 0.5A (LL-34)	8	
0016	SG00122	SMD integrated circuit-RS-ACT	NJM4580M-TE3(SOP8)/(JRC)	10	
0017	RD00224	SMD precise resistor 1/10W	100K $\pm 1\%$ 0603	8	
0018	RD00329	SMD precise resistor 1/10W	30.0K $\pm 1\%$ 0603	2	
0019	RD00090	SMD fixed resistor 1/10W	3.0K $\pm 5\%$ 0603	2	
0020	AE00553	SenJu solder paste	M705-GRN360-K2-V 0.5KG/bottle	0.53	
0021	HB02989	PCB-RS	LYNX-MIX124 USB/UM_PU2_VER09 0227	1	
0054	HK10830	PC board	P-LYNX-MIX124USB PU1-DIP	1	
0001	HC01128	connector(male)-RS	2*22P 2.54mm 180 °	1	
0002	HC00076	connector(male)	2P 2.5mm 180 °	1	
0003	HC00255	connector(male)	4P 2.0mm 180 °	1	
0004	HC00256	connector(male)	5P 2.0mm 180 °	1	
0005	HC00077	connector(male)	3P 2.5mm 180 °	1	
0006	HC00392	balance MIC jack-RS	JY-5030-030G 180 °	2	
0007	HC00125	MIC jack-RS	JY-6351G-02-250	33	
0008	HI00237	push-button switch-RS	2 12P KFC-D130-B(SELF-LOCK)	1	

Rank	Part No.	Description	Specification	QTY	Remark
0009	RC00359	potentiometer	W50K RD09F113A224- 50K4BT(SAS1);30F-C	1	
0010	CB00194	electrolytic capacitor	47uF/25V 5*11mm	7	
0011	AC00603	lead free soldering bar	S100	4.86	
0012	HK10835	PC board	P-LYNX-MIX124USB PU1-SMD	1	
0001	RD00102	SMD fixed resistor 1/10W	12K $\pm 5\%$ 0603	1	
0002	RD00509	SMD fixed resistor 1/10W	24K $\pm 5\%$ 0603	1	
0003	RD00306	SMD fixed resistor 1/10W	20K $\pm 5\%$ 0603	4	
0004	RD00105	SMD fixed resistor 1/10W	22K $\pm 5\%$ 0603	2	
0005	RD00352	SMD fixed resistor 1/10W	3.6K $\pm 5\%$ 0603	1	
0006	RD00094	SMD fixed resistor 1/10W	5.1K $\pm 5\%$ 0603	8	
0007	CI00266	SMD ceramic capacitor-RS 0603	22PF/50V NPO $\pm 5\%$	3	
0008	CI00075	SMD ceramic capacitor 0603	0.1uF/50V Y5V +80,- 20%	4	
0009	RD00007	SMD fixed resistor 1/8W	120 $\pm 5\%$ 0805	50	
0010	SG00122	SMD integrated circuit-RS-ACT	NJM4580M- TE3(SOP8)/(JRC)	2	
0011	AE00553	SenJu solder paste	M705-GRN360-K2-V 0.5KG/bottle	0.2	
0012	HB02988	PCB-RS	LYNX-MIX124 USB/UM_PU1_VER09 0227	1	
0055	HK10829	PC board	P-LYNX-MIX124USB MONO-DIP	1	
0001	HC01127	connector(male)-RS	2*6P 2.0mm 180 ° (A2004WV-2*6P)	1	
0002	HC00126	balance MIC jack-RS	JY-5042-030G female plug 180 °	4	
0003	HC00125	MIC jack-RS	JY-6351G-02-250	8	
0004	HI00236	push-button switch- RS	2 6P KFC-D85- C(SELF-LOCK)	24	
0005	HI00237	push-button switch- RS	2 12P KFC-D130- B(SELF-LOCK)	4	
0006	SA00053	L.E.D	3 round(red)long foot 26mm	8	
0007	SA00054	L.E.D	3m/m round(yellow)long foot 26	4	

Rank	Part No.	Description	Specification	QTY	Remark
0008	SA00052	L.E.D	3 round(green)long foot 26	4	
0009	RC00284	slide potentiometer	D10K RF6011YP600F- 10KD(SAS1)	4	
0010	RC00672	potentiometer-RS	B50K XV09213YNPV30F- 1B50K C.C	12	
0011	RC00703	potentiometer-RS	W50K XV09213YNPV30F- 4BP50K CC	20	
0012	RC00671	potentiometer-RS	C500K XV012313YGPV30F- 15C500K C.C	4	
0013	RC00727	potentiometer-RS	Z10K XV09213YNPV30F914 Z10K	4	
0014	HA05356	wire-RS	15P 30mm UL2651 26AWG	2	
0015	HA02188	wire-RS	5P-5P 140mm UL1007 28AWG	1	
0016	HC00887	connector(male)-RS	2*10P 2.0mm 180 ° (A2004WV-2*10P)	1	
0017	HC00886	connector(male)-RS	2*8P 2.0mm 180 ° (A2004WV-2*8P)	1	
0018	NI01786	LED spacer support	LEDS-12 12mm	16	
0019	RA01262	precise resistor 1/4W	6.81K ±1%	8	
0020	AC00603	lead free soldering bar	S100	14.17	
0021	HK10838	PC board	P-LYNX-MIX124USB MONO-AI	1	
0001	CB00255	electrolytic capacitor	1000uF/10V 8*11mm 5mm	4	
0002	CB00238	electrolytic capacitor	0.22uF/50V 5*11mm	12	
0003	CB00242	electrolytic capacitor	22uF/35V 5*11mm	8	
0004	CB00194	electrolytic capacitor	47uF/25V 5*11mm	24	
0005	CB00334	electrolytic capacitor- RS	47uF/50V 6.3*11mm	8	
0006	HK10834	PC board	P-LYNX-MIX124USB MONO-SMD	1	
0001	CI00075	SMD ceramic capacitor 0603	0.1uF/50V Y5V +80,- 20%	28	
0002	CI00063	SMD ceramic capacitor 0603	470PF/50V NPO ±5 %	12	
0003	CI00268	SMD ceramic capacitor-RS 0603	47PF/50V NPO ±5 %	4	
0004	CI00266	SMD ceramic capacitor-RS 0603	22PF/50V NPO ±5 %	28	

Rank	Part No.	Description	Specification	QTY	Remark
0005	RD00059	SMD fixed resistor 1/10W	0.0 \pm 5% 0603	4	
0006	RD00062	SMD fixed resistor 1/10W	18 \pm 5% 0603	4	
0007	RD00298	SMD precise resistor 1/10W	47.0 \pm 1% 0603	8	
0008	RD00069	SMD fixed resistor 1/10W	120 \pm 5% 0603	4	
0009	RD00083	SMD fixed resistor 1/10W	1.0K \pm 5% 0603	4	
0010	RD00351	SMD fixed resistor 1/10W	1.3K \pm 5% 0603	4	
0011	RD00085	SMD fixed resistor 1/10W	1.5K \pm 5% 0603	12	
0012	RD00090	SMD fixed resistor 1/10W	3.0K \pm 5% 0603	4	
0013	RD00406	SMD precise resistor 1/10W	3.60K \pm 1% 0603	8	
0014	RD00092	SMD fixed resistor 1/10W	3.9K \pm 5% 0603	4	
0015	RD00093	SMD fixed resistor 1/10W	4.7K \pm 5% 0603	12	
0016	RD00210	SMD precise resistor 1/10W	5.11K \pm 1% 0603	36	
0017	RD00095	SMD fixed resistor 1/10W	5.6K \pm 5% 0603	8	
0018	RD00097	SMD fixed resistor 1/10W	6.8K \pm 5% 0603	12	
0019	RD00102	SMD fixed resistor 1/10W	12K \pm 5% 0603	4	
0020	RD00219	SMD precise resistor 1/10W	20.0K \pm 1% 0603	12	
0021	RD00105	SMD fixed resistor 1/10W	22K \pm 5% 0603	4	
0022	RD00509	SMD fixed resistor 1/10W	24K \pm 5% 0603	4	
0023	RD00329	SMD precise resistor 1/10W	30.0K \pm 1% 0603	4	
0024	RD00353	SMD fixed resistor 1/10W	36K \pm 5% 0603	4	
0025	RD00371	SMD precise resistor 1/10W	51.1K \pm 1% 0603	8	
0026	RD00114	SMD fixed resistor 1/10W	68K \pm 5% 0603	4	
0027	RD00125	SMD fixed resistor 1/10W	1.0M \pm 5% 0603	4	
0028	RD00214	SMD precise resistor 1/10W	10.0K \pm 1% 0603	12	
0029	RD00334	SMD precise resistor 1/10W	11.0K \pm 1% 0603	8	

Rank	Part No.	Description	Specification	QTY	Remark
0030	RD00218	SMD precise resistor 1/10W	15.0K \pm 1% 0603	36	
0031	CI00098	SMD ceramic capacitor 0805	0.033uF/50V X7R \pm 10%	8	
0032	SE00011	SMD rectifier diode	RLS4148 0.5A (LL-34)	20	
0033	SG00122	SMD integrated circuit-RS-ACT	NJM4580M-TE3(SOP8)/(JRC)	14	
0034	SF00056	transistor	MMBT3904(SOT23)/(PHI)	12	
0035	RD00098	SMD fixed resistor 1/10W	7.5K \pm 5% 0603	8	
0036	CI00023	SMD ceramic capacitor 0805	0.0022uF NPO \pm 5% -50V	4	
0037	CI00026	SMD ceramic capacitor 0805	0.0033uF/50V X7R \pm 10%	4	
0038	CI00275	SMD ceramic capacitor-RS 0805	0.0056uF/50V X7R \pm 10%	8	
0039	AE00553	SenJu solder paste	M705-GRN360-K2-V 0.5KG/bottle	1.21	
0040	HB02990	PCB-RS	LYNX-MIX124 USB/UM_MONO1_VE R090227	1	
0056	HK10949	PC board	P-LYNX-MIX124UM MN1-DIP	1	
0001	HI00236	push-button switch-RS	2 6P KFC-D85-C(SELF-LOCK)	38	
0002	HI00238	push-button switch-RS	2 6P KFC-D85-D(NON-LOCK)	1	
0003	HI00237	push-button switch-RS	2 12P KFC-D130-B(SELF-LOCK)	14	
0004	HI00161	relay	RY-5W-K,5V	1	
0005	HI00195	rotary switch-RS-ACT	SDB161PVB15.5F-1-4-16-16PC	2	
0006	SA00053	L.E.D	3 round(red)long foot 26mm	14	
0007	SA00054	L.E.D	3m/m round(yellow)long foot 26	6	
0008	SA00052	L.E.D	3 round(green)long foot 26	26	
0009	RC00284	slide potentiometer	D10K RF6011YP600F-10KD(SAS1)	4	
0010	RC00285	slide potentiometer-dual unit	D10K RF60112P600G-10KD*2(SAS1)	5	
0011	RC00669	potentiometer-RS	B50K XV012313YGPV30F-3B50K C.C	16	

Rank	Part No.	Description	Specification	QTY	Remark
0012	RC00703	potentiometer-RS	W50K XV09213YNPV30F- 4BP50K CC	28	
0013	RC00670	potentiometer-RS	W50K XV012313YGPV30F- 4B50K C.C	11	
0014	RC00315	slide potentiometer	W100K RA3022- 202-15DA-W100K-C	9	
0015	HK07637	PC board	P-DSP-PRE- DIP(APM120)	1	
0001	HC00697	connector	2.0 90 °16P(gold- pated)2.5/9.5mm 2mm	1	
0002	AC00603	lead free soldering bar	S100	0.4	
0003	HK07638	PC board	P-DSP-PRE- SMD(APM120)	1	
0001	HB01916	PCB-RS	DSP- PRE(1*10)_VER07031 6	1	
0002	SG00306	SMD integrated circuit	LM393DR(TI)/(MEXIC O)	1	
0003	SG00469	SMD integrated circuit-RS	SN74HC109DR(SO16)/ (TI)	1	
0004	SG00068	SMD integrated circuit	74HC14DT(SO14)/(PHI)	1	
0005	SF00056	transistor	MMBT3904(SOT23)/(P HI)	1	
0006	RD00068	SMD fixed resistor 1/10W	100 ±5% 0603	2	
0007	SE00007	SMD rectifier diode	RB400D(D3A)	1	
0008	SE00009	SMD rectifier diode- RS	DAN202K/T-146	1	
0009	SE00028	SMD rectifier diode- RS-ACT	BAS316,115	2	
0010	RD00059	SMD fixed resistor 1/10W	0.0 ±5% 0603	1	
0011	RD00083	SMD fixed resistor 1/10W	1.0K ±5% 0603	1	
0012	RD00099	SMD fixed resistor 1/10W	8.2K ±5% 0603	2	
0013	RD00101	SMD fixed resistor 1/10W	10K ±5% 0603	14	
0014	RD00093	SMD fixed resistor 1/10W	4.7K ±5% 0603	1	
0015	RD00098	SMD fixed resistor 1/10W	7.5K ±5% 0603	1	
0016	RD00111	SMD fixed resistor 1/10W	47K ±5% 0603	1	
0017	RD00125	SMD fixed resistor 1/10W	1.0M ±5% 0603	1	

Rank	Part No.	Description	Specification	QTY	Remark
0018	RD00124	SMD fixed resistor 1/10W	820K \pm 5% 0603	1	
0019	RD00126	SMD fixed resistor 1/10W	2.2M \pm 5% 0603	1	
0020	CI00129	SMD ceramic capacitor 0603	0.0015uF/50V X7R \pm 10%	2	
0021	CL00002	SMD tantalum capacitor-RS-ACT	1.0uF/16V case A	2	
0022	CI00053	SMD ceramic capacitor 0603	33PF/50V COG \pm 5%(C1608C0G1H330JT)/TDK	2	
0023	CL00006	SMD tantalum capacitor-RS-ACT	10uF/16V case B2	2	
0024	CI00051	SMD ceramic capacitor 0603	22PF/50V COG \pm 5%(C1608C0G1H220JT)/TDK	4	
0025	CI00075	SMD ceramic capacitor 0603	0.1uF/50V Y5V +80,-20%	8	
0026	SE00085	SMD zener diode-RS	1/2W 2.4V ZMM55-C2V4	2	
0027	AE00553	SenJu solder paste	M705-GRN360-K2-V 0.5KG/bottle	0.124	
0028	SG00243	SMD integrated circuit	NE555DR(SO8)/(TI)	1	
0029	SG00122	SMD integrated circuit-RS-ACT	NJM4580M-TE3(SOP8)/(JRC)	3	
0030	RD00306	SMD fixed resistor 1/10W	20K \pm 5% 0603	2	
0031	RD00349	SMD fixed resistor 1/10W	910 \pm 5% 0603	1	
0032	RD00092	SMD fixed resistor 1/10W	3.9K \pm 5% 0603	1	
0016	HC00473	connector-RS	2.45mm 180 \circ 2*8P B25-2*8BG1(B)H=5mm	1	
0017	HC00397	connector(male)	10P 2.0mm 180 \circ	1	
0018	HC00259	connector(male)	8P 2.0mm 180 \circ	1	
0019	HC01128	connector(male)-RS	2*22P 2.54mm 180 \circ	1	
0020	HA02446	wire-RS	14P(male)-14P(female) 60mm UL1007 28AWG	2	
0021	HC00256	connector(male)	5P 2.0mm 180 \circ	1	
0022	HC00077	connector(male)	3P 2.5mm 180 \circ	2	
0023	NI01786	LED spacer support	LEDS-12 12mm	46	
0024	RA01260	fixed resistor 1/4W	120	2	
0025	RA01259	fixed resistor 1/4W	47	2	
0026	AC00603	lead free soldering bar	S100	26.59	
0027	HK10951	PC board	P-LYNX-MIX124UM MN1-BT-SMD	1	

Rank	Part No.	Description	Specification	QTY	Remark
0001	RD00062	SMD fixed resistor 1/10W	18 $\pm 5\%$ 0603	6	
0002	RD00544	SMD precise resistance 1/10W	22 $\pm 1\%$ 0603	2	
0003	RD00304	SMD fixed resistor 1/10W	33 $\pm 5\%$ 0603	2	
0004	RD00065	SMD fixed resistor 1/10W	47 $\pm 5\%$ 0603	2	
0005	RD00297	SMD precise resistor 1/10W	60.4 $\pm 1\%$ 0603	4	
0006	RD00275	SMD precise resistor 1/10W	110 $\pm 1\%$ 0603	2	
0007	RD00276	SMD precise resistor 1/10W	169 $\pm 1\%$ 0603	2	
0008	RD00277	SMD precise resistor 1/10W	200 $\pm 1\%$ 0603	6	
0009	RD00542	SMD precise resistance 1/10W	220 $\pm 1\%$ 0603	2	
0010	RD00074	SMD fixed resistor 1/10W	270 $\pm 5\%$ 0603	2	
0011	RD00089	SMD fixed resistor 1/10W	2.7K $\pm 5\%$ 0603	4	
0012	RD00096	SMD fixed resistor 1/10W	6.2K $\pm 5\%$ 0603	18	
0013	RD00097	SMD fixed resistor 1/10W	6.8K $\pm 5\%$ 0603	2	
0014	RD00214	SMD precise resistor 1/10W	10.0K $\pm 1\%$ 0603	4	
0015	RD00218	SMD precise resistor 1/10W	15.0K $\pm 1\%$ 0603	6	
0016	RD00306	SMD fixed resistor 1/10W	20K $\pm 5\%$ 0603	4	
0017	RD00509	SMD fixed resistor 1/10W	24K $\pm 5\%$ 0603	4	
0018	RD00353	SMD fixed resistor 1/10W	36K $\pm 5\%$ 0603	16	
0019	RD00109	SMD fixed resistor 1/10W	39K $\pm 5\%$ 0603	2	
0020	RD00111	SMD fixed resistor 1/10W	47K $\pm 5\%$ 0603	3	
0021	RE00011	SMD resistor networks 1/16W	680 *4 $\pm 5\%$ 8P 1206(0603x4)	2	
0022	RD00114	SMD fixed resistor 1/10W	68K $\pm 5\%$ 0603	20	
0023	CI00075	SMD ceramic capacitor 0603	0.1uF/50V Y5V +80,- 20%	1	
0024	CI00026	SMD ceramic capacitor 0805	0.0033uF/50V X7R \pm 10%	2	
0025	CI00116	SMD ceramic capacitor 0805	0.0039uF/50V X7R \pm 10%	2	

Rank	Part No.	Description	Specification	QTY	Remark
0026	CI00147	SMD ceramic capacitor 0805	0.0082uF/50V X7R ± 10%	2	
0027	CI00289	SMD ceramic capacitor-RS	0.012uF/50V X7R ± 10%	4	
0028	CI00151	SMD ceramic capacitor 0805	0.015uF/50V X7R ± 10%	6	
0029	CI00097	SMD ceramic capacitor 0805	0.027uF/50V X7R ± 10%	2	
0030	CI00099	SMD ceramic capacitor 0805	0.068uF/50V X7R ± 10%	2	
0031	CI00100	SMD ceramic capacitor 0805	0.1uF/50V X7R ±10%	4	
0032	CI00305	SMD ceramic capacitor-RS	0.12uF/50V X7R ± 10%	2	
0033	CI00146	SMD ceramic capacitor 0805	0.22uF/50V X7R ±10%	6	
0034	CI00276	SMD ceramic capacitor-RS	0.47uF/25V X7R ±10%	2	
0035	CI00306	SMD ceramic capacitor-RS	1.0uF/25V X7R ±10%	2	
0036	SE00011	SMD rectifier diode	RLS4148 0.5A (LL-34)	1	
0037	SF00031	SMD transistor-RS-ACT	BC847B(SOT23)/(PHI)	18	
0038	HK10952	PC board	P-LYNX-MIX124UM MN1-AI	1	
0001	CB00248	electrolytic capacitor	2.2uF/50V 4*5mm	1	
0002	CB00190	electrolytic capacitor	4.7uF/25V 4*7mm	3	
0003	CB00194	electrolytic capacitor	47uF/25V 5*11mm	109	
0004	CB00268	electrolytic capacitor	330uF/16V 8*11mm 5mm	1	
0005	CB00255	electrolytic capacitor	1000uF/10V 8*11mm 5mm	1	
0006	HK10950	PC board	P-LYNX-MIX124UM MN1-SMD	1	
0001	CI00266	SMD ceramic capacitor-RS 0603	22PF/50V NPO ±5%	83	
0002	CI00059	SMD ceramic capacitor 0603	100PF/50V NPO ±5%	10	
0003	CI00062	SMD ceramic capacitor 0603	330PF/50V NPO ±5%	2	
0004	CI00075	SMD ceramic capacitor 0603	0.1uF/50V Y5V +80,-20%	93	
0005	RD00346	SMD fixed resistor 1/10W	56 ±5% 0603	1	
0006	RD00069	SMD fixed resistor 1/10W	120 ±5% 0603	17	
0007	RD00542	SMD precise resistance 1/10W	220 ±1% 0603	6	
0008	RD00076	SMD fixed resistor 1/10W	330 ±5% 0603	2	

Rank	Part No.	Description	Specification	QTY	Remark
0009	RD00078	SMD fixed resistor 1/10W	470 $\pm 5\%$ 0603	4	
0010	RD00347	SMD fixed resistor 1/10W	510 $\pm 5\%$ 0603	3	
0011	RD00348	SMD fixed resistor 1/10W	620 $\pm 5\%$ 0603	1	
0012	RD00083	SMD fixed resistor 1/10W	1.0K $\pm 5\%$ 0603	12	
0013	RD00351	SMD fixed resistor 1/10W	1.3K $\pm 5\%$ 0603	1	
0014	RD00084	SMD fixed resistor 1/10W	1.2K $\pm 5\%$ 0603	8	
0015	RD00085	SMD fixed resistor 1/10W	1.5K $\pm 5\%$ 0603	13	
0016	RD00086	SMD fixed resistor 1/10W	1.8K $\pm 5\%$ 0603	32	
0017	RD00087	SMD fixed resistor 1/10W	2.0K $\pm 5\%$ 0603	1	
0018	RD00088	SMD fixed resistor 1/10W	2.2K $\pm 5\%$ 0603	1	
0019	RD00089	SMD fixed resistor 1/10W	2.7K $\pm 5\%$ 0603	16	
0020	RD00093	SMD fixed resistor 1/10W	4.7K $\pm 5\%$ 0603	17	
0021	RD00094	SMD fixed resistor 1/10W	5.1K $\pm 5\%$ 0603	22	
0022	RD00095	SMD fixed resistor 1/10W	5.6K $\pm 5\%$ 0603	13	
0023	RD00097	SMD fixed resistor 1/10W	6.8K $\pm 5\%$ 0603	58	
0024	RD00099	SMD fixed resistor 1/10W	8.2K $\pm 5\%$ 0603	1	
0025	RD00214	SMD precise resistor 1/10W	10.0K $\pm 1\%$ 0603	81	
0026	RD00102	SMD fixed resistor 1/10W	12K $\pm 5\%$ 0603	20	
0027	RD00218	SMD precise resistor 1/10W	15.0K $\pm 1\%$ 0603	60	
0028	RD00368	SMD precise resistor 1/10W	16.5K $\pm 1\%$ 0603	2	
0029	RD00473	SMD precise resistor 1/10W	18.0K $\pm 1\%$ 0603	8	
0030	RD00306	SMD fixed resistor 1/10W	20K $\pm 5\%$ 0603	49	
0031	RD00105	SMD fixed resistor 1/10W	22K $\pm 5\%$ 0603	16	
0032	RD00509	SMD fixed resistor 1/10W	24K $\pm 5\%$ 0603	1	
0033	RD00329	SMD precise resistor 1/10W	30.0K $\pm 1\%$ 0603	2	

Rank	Part No.	Description	Specification	QTY	Remark	
	0034	RD00108	SMD fixed resistor 1/10W	33K $\pm 5\%$ 0603	4	
	0035	RD00353	SMD fixed resistor 1/10W	36K $\pm 5\%$ 0603	40	
	0036	RD00109	SMD fixed resistor 1/10W	39K $\pm 5\%$ 0603	6	
	0037	RD00111	SMD fixed resistor 1/10W	47K $\pm 5\%$ 0603	8	
	0038	RD00112	SMD fixed resistor 1/10W	56K $\pm 5\%$ 0603	8	
	0039	RD00114	SMD fixed resistor 1/10W	68K $\pm 5\%$ 0603	6	
	0040	RD00116	SMD fixed resistor 1/10W	100K $\pm 5\%$ 0603	4	
	0041	RD00118	SMD fixed resistor 1/10W	150K $\pm 5\%$ 0603	2	
	0042	RD00119	SMD fixed resistor 1/10W	220K $\pm 5\%$ 0603	17	
	0043	RD00125	SMD fixed resistor 1/10W	1.0M $\pm 5\%$ 0603	16	
	0044	RD00002	SMD fixed resistor 1/8W	0.0 $\pm 5\%$ 0805	1	
	0045	CI00022	SMD ceramic capacitor 0805	0.001uF/50V X7R	8	
	0046	CI00026	SMD ceramic capacitor 0805	0.0033uF/50V X7R $\pm 10\%$	16	
	0047	CI00289	SMD ceramic capacitor-RS	0.012uF/50V X7R $\pm 10\%$	16	
	0048	CI00133	SMD ceramic capacitor 0805	0.047uF/-50V X7R $\pm 0\%$	8	
	0049	SE00008	SMD rectifier diode	DA204K/T-146	1	
	0050	SF00039	transistor	MMBFJ112(SOT23)/(F AIRCHILD)	5	
	0051	SG00210	SMD integrated circuit	LM339DT/(ST)	6	
	0052	SG00122	SMD integrated circuit-RS-ACT	NJM4580M- TE3(SOP8)/(JRC)	46	
	0053	SE00011	SMD rectifier diode	RLS4148 0.5A (LL-34)	10	
	0054	SF00056	transistor	MMBT3904(SOT23)/(P HI)	14	
	0055	SF00053	transistor	MMBT3906(SOT23)/(P HI)	3	
	0056	AE00553	SenJu solder paste	M705-GRN360-K2-V 0.5KG/bottle	2.87	
	0057	HB02987	PCB-RS	LYNX-MIX124 USB/UM_MN1_VER09 0227	1	
0057	HK01409	PC board-RS	P-313123-DIP(AMX- 140FX)	1		
0001	SC00004	crystal oscillator	16.00MHZ	1		

Rank	Part No.	Description	Specification	QTY	Remark
0002	HC00484	connector	2.54 180 2*8P(gold-plated) 13.5/19mm	1	tip on copper foil side
0003	SG00193	SMD integrated circuit	SST39VF010-70n/L-8	1	
0004	HK03894	PC board-RS-ACT	P-313123-SMD(L-8)	1	
0001	HB00895	PCB	313123/2(1*6)	1	
0002	CI00075	SMD ceramic capacitor 0603	0.1uF/50V Y5V +80,-20%	13	
0003	RD00061	SMD fixed resistor 1/10W	10 ±5% 0603	1	
0004	RD00068	SMD fixed resistor 1/10W	100 ±5% 0603	8	
0005	RD00073	SMD fixed resistor 1/10W	220 ±5% 0603	1	
0006	RD00085	SMD fixed resistor 1/10W	1.5K ±5% 0603	10	
0007	RD00088	SMD fixed resistor 1/10W	2.2K ±5% 0603	8	
0008	RD00101	SMD fixed resistor 1/10W	10K ±5% 0603	3	
0009	RD00125	SMD fixed resistor 1/10W	1.0M ±5% 0603	1	
0010	RE00006	SMD resistor networks 1/16W	100 *4 ±5% 8P 1206(0603x4)	2	
0011	SE00011	SMD rectifier diode	RLS4148 0.5A (LL-34)	1	
0012	SG00068	SMD integrated circuit	74HC14DT(SO14)/(PHI)	1	
0013	SG00410	SMD integrated circuit-RS-ACT	IC41LV16256-35KG(SOJ40)/(ICSI)	1	
0014	SG00166	SMD integrated circuit	TY-2 ALTO(GMCODE:105022)	1	
0015	SG00037	SMD integrated circuit	LD1117DT33C(TO252)/(ST)	1	
0016	HC00611	IC socket (SMD)	PLCC32 (AMP S/N:822516-7)	1	
0017	SG00016	SMD integrated circuit	UDA1345TS(SSOP28)/(PHI)	1	
0018	AE00553	SenJu solder paste	M705-GRN360-K2-V 0.5KG/bottle	0.386	
0019	CI00264	SMD ceramic capacitor-RS 0603	15PF/50V NPO ±5%	2	
0005	NE11475	label	L-8	1	
0006	AC00603	lead free soldering bar	S100	5.058	
0007	CB00166	electrolytic capacitor	100uF/16V 6*5mm	11	
0058	HK10130	PC board	P-USB_M_DIP	1	
0001	RA01058	metal-oxide-film resistor 1W	33	2	
0002	SD00249	integrated circuit	LM317LZ(TO92)/(ST)	1	

Rank	Part No.	Description	Specification	QTY	Remark
0003	SC00404	crystal oscillator	16.9344MHz	1	
0004	HC00076	connector(male)	2P 2.5mm 180 °	1	
0005	HC00077	connector(male)	3P 2.5mm 180 °	1	
0006	HC00078	connector(male)	4P 2.5mm 180 °	1	
0007	HC00082	connector(male)	8P 2.5mm 180 °	1	
0008	HC00261	connector(male)	12P 2.0mm 180 °	1	
0009	CB00222	electrolytic capacitor	220uF/16V \pm 0% 6.3*12mm	6	
0010	AC00603	lead free soldering bar	S100	1.404	
0011	HK10131	PC board	P-USB_M_SMD	1	
0001	SF00085	voltage stabilized transistor	LD1117S33TR(SOT223)/(ST)	1	
0002	SF00103	voltage stabilized transistor-RS-CT	MC78M05CDT (DPAK3)/(ON)	2	
0003	SE00011	SMD rectifier diode	RLS4148 0.5A (LL-34)	2	
0004	SF00076	transistor	DTA124EUA/(SC70)/(ROHM)	1	
0005	SF00077	transistor	DTC114TUA/(SC70)/(ROHM)	2	
0006	RD00059	SMD fixed resistor 1/10W	0.0 \pm 5% 0603	5	
0007	RD00073	SMD fixed resistor 1/10W	220 \pm 5% 0603	1	
0008	RD00019	SMD fixed resistor 1/8W	1.2K \pm 5% 0805	1	
0009	RD00018	SMD fixed resistor 1/8W	1.0K \pm 5% 0805	1	
0010	RD00101	SMD fixed resistor 1/10W	10K \pm 5% 0603	10	
0011	RD00088	SMD fixed resistor 1/10W	2.2K \pm 5% 0603	4	
0012	RD00102	SMD fixed resistor 1/10W	12K \pm 5% 0603	1	
0013	RD00125	SMD fixed resistor 1/10W	1.0M \pm 5% 0603	1	
0014	CI00096	SMD ceramic capacitor 0603	560PF/50V NPO \pm 5 %	4	
0015	CI00180	SMD ceramic capacitor-RS-ACT	10uF/10V Y5V +80;-20%	4	
0016	CI00075	SMD ceramic capacitor 0603	0.1uF/50V Y5V +80,-20%	12	
0017	CI00264	SMD ceramic capacitor-RS 0603	15PF/50V NPO \pm 5 %	2	
0018	AE00553	SenJu solder paste	M705-GRN360-K2-V 0.5KG/bottle	0.176	
0019	HB02858	PCB-RS	USB_M_VER081118	1	
0020	SG00633	SMD integrated circuit-RS	BU72435KV(VQFP64)/(ROHM)	1	

Rank	Part No.	Description	Specification	QTY	Remark
0021	CL00025	SMD tantalum capacitor-RS	10uF/16V case A (NEC ESVA1C106M)	4	
0059	HK10132	PC board	P-USB_LCD_DIP	1	
0001	HI00208	push button switch	6*6*12.5	4	
0002	HC00034	short circuit connector	NO.2700 2.54mm/6mm OPEN	3	
0003	HC00136	connector	2.54 180 °3P(gold-plated) 6/11.6mm	3	
0004	AC00603	lead free soldering bar	S100	5.742	
0005	HE00169	LCD module-RS	OCM12864-9	1	
0006	ND00431	EV foam	19*41*5 black	1	
0007	NI01783	LED spacer support	LEDS-3.5 3.5mm	2	
0008	ME00009	nut	2*4*1.5	2	
0009	MG00180	screw	M2*12	2	
0010	HC01100	connector-RS	2.0 180 °20P 18/22mm	1	
0011	HK10129	PC board	P-USB_D	1	
0012	HK10133	PC board	P-USB_LCD_SMD	1	
0001	RD00101	SMD fixed resistor 1/10W	10K ±5% 0603	23	
0002	SG00657	SMD integrated circuit-RS	P89LPC936FDH(TSSOP28)/(NXP)	1	
0003	CI00180	SMD ceramic capacitor-RS-ACT	10uF/10V Y5V +80;-20%	1	
0004	AE00553	SenJu solder paste	M705-GRN360-K2-V 0.5KG/bottle	0.155	
0005	HB02857	PCB-RS	USB_LCD_VER090218	1	
0013	HC00082	connector(male)	8P 2.5mm 180 °	1	tip on the back side
0014	HC00079	connector(male)	5P 2.5mm 180 °	1	tip on the back side
0060	HK10004	PC board	P-LYNX-MIX244_PSM80WA-DIP	1	
0001	HA01935	jump	12.5mm	3	
0002	RA00022	metal-oxide-film resistor 1W	33K	1	
0003	CB00237	electrolytic capacitor	1.0uF/50V 5*11mm 2.5mm	1	
0004	CB00188	electrolytic capacitor	10uF/63V 5*11mm 2.5mm	3	
0005	CB00034	electrolytic capacitor	33uF/16V 5*11mm	1	
0006	CB00260	electrolytic capacitor	47uF/35V 5*11mm 2.5mm	1	
0007	CB00279	electrolytic capacitor	100uF/100V 10*20mm	1	
0008	CB00337	electrolytic capacitor-RS	220uF/400V 30*31mm	1	
0009	CB00064	electrolytic capacitor	470uF/16V 10*12mm	1	

Rank	Part No.	Description	Specification	QTY	Remark
0010	CB00065	electrolytic capacitor	470uF/25V 10*16mm	4	
0011	CB00079	electrolytic capacitor	2200uF/25V 13*25mm	2	
0012	CG00020	X1/Y2 capacitor	4700PF Y5V X1-400V Y2-250V	1	
0013	CG00082	X2 capacitor-RS- ACT	0.1uF/275V ±0% R46- KI3100-JP M1M(ARC)	2	
0014	CG00033	metal oxide varistors	B57237-S100-M	1	
0015	CG00092	metal oxide varistors- RS	CNR-14D431K/(CNR)	1	
0016	SA00130	diode-RS-ACT	1A/600V/35ns BYV26C	1	
0017	SA00004	high speed diode-RS	2A/100V BYV27- 200,113	3	
0018	SA00144	diode-RS	BYV28-200- TAP(SOD64)/(VISHAY)	2	
0019	SA00093	rectifier diode	1N4148 0.5A	1	
0020	SA00222	diode-RS-ACT	2.2A/274V P6KE200A	1	
0021	SA00223	zener diode-RS-ACT	3.6W 36V KA431AZ(TO-92)	1	
0022	SB00064	transistor-RS-ACT	TIP41C(TO220)/(ST)	1	
0023	SD00074	integrated circuit	L7805CV(TO220)/(ST)	1	
0024	SD00319	integrated circuit-RS	TOP248YN(TO220)/(PI)	1	
0025	SB00012	Power triode-RS-ACT	H11A817C.300/(QT)	1	
0026	SA00221	bridge rectifier	2A/600V KBP206	1	
0027	TC00424	transformer-RS	ETD29_80W_AC90- 240	1	
0028	CN00235	inductance-RS	12uH(WL-333)	2	
0029	CN00153	inductance-RS-ACT	3mH UT20-H125NP	1	
0030	HC00076	connector(male)	2P 2.5mm 180 °	2	
0031	HC00082	connector(male)	8P 2.5mm 180 °	1	
0032	HC00173	connector(male)	3P 3.96mm 180 °	1	
0033	CN00228	magnetic bead-RS	GF4 RH 3.5*5*1.8	2	used with Q1's 1,3 pin
0034	MI03847	heat-sink-RS	2.9*77*30*15_V1.2	1	TOP248
0035	MI00256	heat-sink	25*15*10.6-1PIN SCL- 2020	2	TIP41 , 7805
0036	NI02249	plastic washer	TW-1(TO-220)	3	TOP248,TIP41,7805
0037	NC00167	mica-RS	13*18(3.6)TO-220	3	TOP248,TIP41,7805
0038	MF00014	washer	3* 6.5*0.5t	2	fix TOP248 heat sinl
0039	MF00037	washer	3.2* 5*0.8t	3	fix TOP248,TIP41,7805

Rank	Part No.	Description	Specification	QTY	Remark
0040	MI04729	separating shade-RS	TYPHOON PS3200 24*18*25_V1.1	1	separate input inductor
0041	AC00603	lead free soldering bar	S100	3.118	
0042	HK10005	PC board	P-LYNX- MIX244_PSM80WA- SMD	1	
0001	CI00103	SMD ceramic capacitor 1206	100PF/50V NPO $\pm 5\%$	5	
0002	CI00154	SMD ceramic capacitor 1206	0.1uF/100V X7R $\pm 0\%$	12	
0003	RD00412	SMD precise resistor 1/4W	6.8 $\pm 1\%$ 1206	1	
0004	RD00597	SMD precise resistor- RS 1/4W	100 $\pm 1\%$ 1206	1	
0005	RD00400	SMD fixed resistor 1/4W	220 $\pm 5\%$ 1206	1	
0006	RD00410	SMD precise resistor 1/4W	470 $\pm 1\%$ 1206	5	
0007	RD00245	SMD precise resistor 1/4W	1.00K $\pm 1\%$ 1206	2	
0008	RD00440	SMD fixed resistor 1/8W	5.1K $\pm 5\%$ 0805	1	
0009	RD00399	SMD precise resistor 1/4W	10.0K $\pm 1\%$ 1206	9	
0010	RD00255	SMD precise resistor 1/4W	100K $\pm 1\%$ 1206	1	
0011	RD00617	SMD fixed resistor- RS 1/4W	2.0M $\pm 5\%$ 1206	1	
0012	SE00110	SMD zener diode- RS-ACT	1/2W 47V ZMM55C47 SOD80	1	
0013	HB02832	PCB-RS	LYNX- MIX244_PSM80WA_V ER080505	1	
0043	MG00196	screw	M3*8	5	
0044	CG00023	X1/Y1 capacitor	0.0022uF/250VAC Y5U	2	
0045	CG00046	X1/Y2 capacitor AY2	2200PF VDE/UL $\pm 20\%$ X1:400V~ Y2:250V~	2	
0046	SB00287	transistor-RS-ACT	2N5551(TO92)/(UTC)	1	
0061	HA01949	wire-RS	2P-2P 275mm UL1007 28AWG	1	
0062	HA01081	wire-RS	3P-3P 220mm UL2547 28AWG	1	
0063	HA01619	wire-RS	2P 220mm UL1007 24AWG	1	
0064	HA01174	single terminal wiring CF:W146	80 green/yellow	1	
0065	HA01835	wire-RS	70mm brown L10R10	2	

Rank	Part No.	Description	Specification	QTY	Remark
0066	HA04139	wire-RS	3P 200mm UL1015 18AWG	1	
0067	HA01404	wire-RS	2P-2P 90mm UL1007 24AWG	1	
0068	HA00397	wire	330mm black L5R5	2	
0069	HA02891	wire-RS	3P-3P 400mm UL2547 28AWG	1	
0070	HA05367	wire-RS	10P-(2*10P) 130mm UL1007 22AWG	1	
0071	HA05365	wire-RS	8P-(2*8P) 130mm UL1007 22AWG	1	
0072	HA05366	wire-RS	8P-(2*8P)/(2*6P) 145/160mm UL1007 22AWG	1	
0073	HA05357	wire-RS	44P-44P 620mm UL2651 28AWG PH1.27	1	
0074	HA02657	wire	8P-8P 360mm UL1007 20AWG	1	
0075	NE19434	label-RS-CT	LYNX-MIX124 USB MK MIC1-6_V1.0	1	
0076	NE19418	label-RS-CT	LYNX-MIX244 USB MK 1-4_V1.0	1	
0077	NE19437	label-RS-CT	LYNX-MIX124 USB MK 1-12_V1.0	1	
0078	NE19440	label-RS-CT	LYNX-MIX124 USB MK _V1.0	1	
0079	NE19543	label-RS	LYNX-MIX124UM MK -front_V1.0	1	
0080	NE19544	label-RS	LYNX-MIX124UM MK -behind_V1.0	1	
0002	HK10948	package	LYNX-MIX124 UM MK	1	
0001	NB02473	cushion	L-12;16;20series contrary	1	
0002	NB02474	cushion	L-12;16;20series right	1	
0003	NA00137	clip-chain bag	5*7	1	pack corner pad
0004	NA00859	PE bag-RS	0.04t*220*200mm_V1. 0	1	pack user's manual
0005	NA00279	clip-chain bag	0.04t*100*150mm_V1. 0	1	pack warranty card
0006	NA00912	PE bag-RS-ACT	0.05t*600*1000mm_V1 .0	1	
0007	NB06415	inner case-RS-CT	LYNX-MIX124 USB MK ALTO_V1.0	1	
0008	NB06416	carton-RS-CT	LYNX-MIX124 USB MK ALTO_V1.1	1	
0009	NA01019	silk wadding-RS-CT	LYNX MIX124USB 300*160*30_V1.0	2	
0010	NE05004	label	ALTO PF_V1.2	4	

Rank	Part No.	Description	Specification	QTY	Remark
0011	NE18985	label-RS	LYNX-MIX124 UM_V1.0	4	
0012	NF00061	assurance card-RS-C	ALTO_V1.1	1	
0013	NF03280	user manual-RS	LYNX-MIX USB MK SERIES ALTO_V1.0	1	
0014	HA00861	power cord Europe 3P	LT-312+LT-501	1	
0015	HD00123	glass tube fuse- slow(spiral)	T1.25A 250V 5.2*20mm CSA/CCC/UL/VDE	1	
0016	NI02519	self-adhere foot cushion	15.9*8.0mm(RF-006)	4	