

R137 1 meg linear-bass
 R138 10K
 R139 120K
 R140 1 meg linear-trbl
 R141 22K
 R142 2.2K
 R143 470K

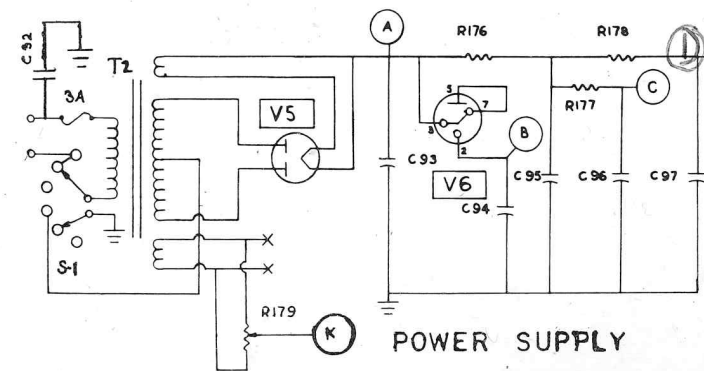
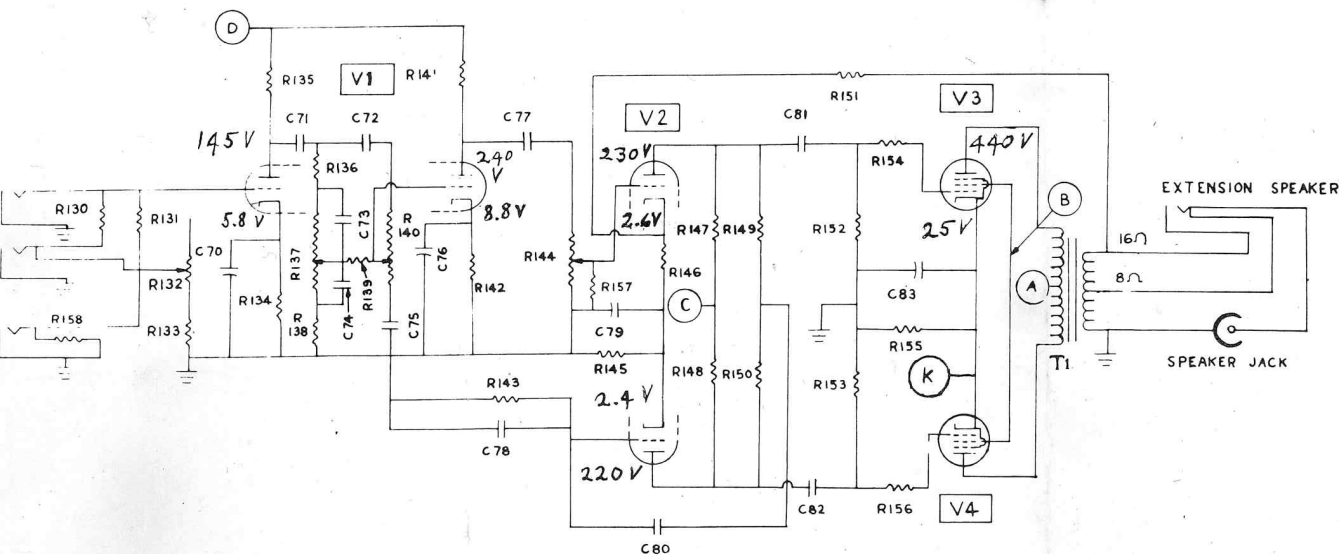
R144 1 meg audio-volume
 R145 1K
 R146 220 ohms
 R147 120K
 R148 120K
 R149 470K
 R150 510K - 5%
 R151 10K
 R152 270K
 R153 270K
 R154 1K
 R155 175 ohms - 10 watt
 R156 1K
 R157 1 meg

R158 1 meg
 R176 1K - 10 watt
 R177 22K - 1 watt
 R178 22K - 1 watt
 R179 300 ohm - linear
 C70 100 mfd 12v
 C71 .02 " 400v
 C72 .0005 " disc
 C73 .002 " 400v
 C74 .02 " 400v
 C75 .002 " 400v
 C76 100 " 12v
 C77 .02 " 400v

C78 .0005mfd disc
 C79 100 " 25v
 C80 .02 " 400v
 C81 .02 " 400v
 C82 .02 " 400v
 C92 .1 " 400v
 C93 40 " 500v
 C94 40 " 500v
 C95 20 " 450v
 C96 20 " 450v
 C97 20 " 450v

V1 6CG7
 V2 6SL7
 V3 EL37
 V4 EL37
 V5 5U4
 V6 OC3
 S1 2 pole 3 pos.
 fuse 3 amps

T1 Stancor A8056
 T2 Stancor PC8412



MODEL 835-N
 Ampeg Co. 54-06 ROOSEVELT AV
 WOODSIDE, NEW YORK