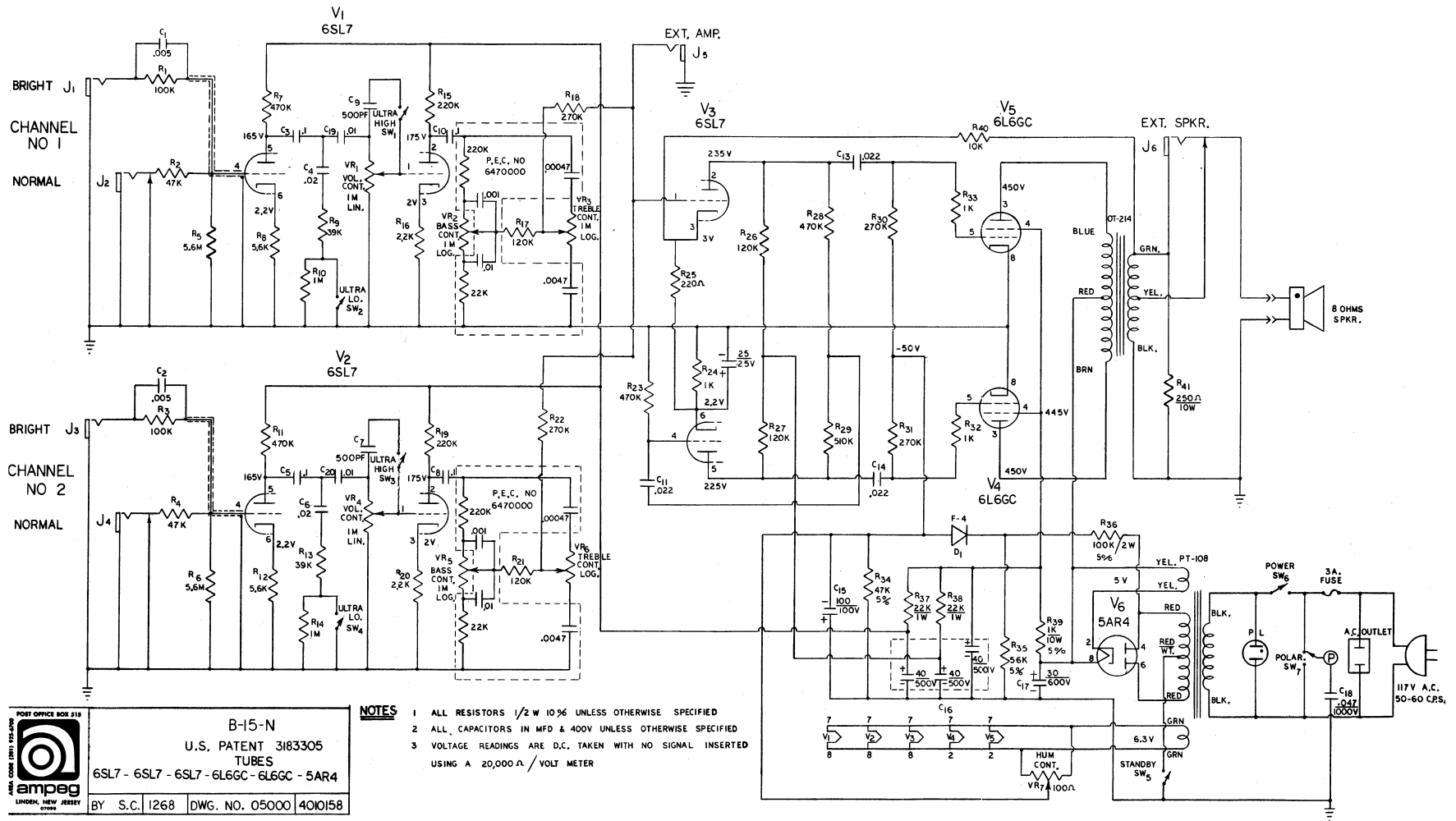



B-15N

Ampeg



- NOTES**
- 1 ALL RESISTORS 1/2 W 10% UNLESS OTHERWISE SPECIFIED
  - 2 ALL CAPACITORS IN MFD & 400V UNLESS OTHERWISE SPECIFIED
  - 3 VOLTAGE READINGS ARE D.C. TAKEN WITH NO SIGNAL INSERTED USING A 20,000 Ω / VOLT METER

POST OFFICE BOX 218  
  
 MADE IN U.S.A.  
**ampeg**  
 LINCOLN, NEW JERSEY 07036

**B-15-N**  
 U.S. PATENT 3183305  
 TUBES  
 6SL7 - 6SL7 - 6SL7 - 6L6GC - 6L6GC - 5AR4

BY S.C. 1268 DWG. NO. 05000 4010158