

NOTES

- 1) CAUTION: SHOCK HAZARD!!
THIS UNIT CONTAINS HAZARDOUS VOLTAGE. DISCONNECT POWER AND BE SURE POWER SUPPLY IS DISCHARGED BEFORE TOUCHING INTERNAL PARTS.
- 2) UNLESS NOTED, RESISTOR VALUES IN OHMS, 1/4W-5%TOL. CAPACITOR VALUES IN MICROFARADS, 50V-10%TOL.
- 3) VOLTAGES ARE MEASURED WITH 1 MEGOHM OSCILLOSCOPE AND 10 MEGOHM DIGITAL VOLTMETER.

NOTE: GOOP C12, C13, C34, C35, C4-C7 AND DB1 RECTIFIER HEATSINK AS SHOWN PER STANDARD GOOP PROCEDURE.

SHEETS 1,2,3 & 4 OF THIS DRAWING REPRESENT ASSY P/N 07-442-03

NOTE: SHEET 3 AND 6 ARE AUTOCAD DRAWING FILE # 442XXP?.DWG

6	5/30/01	ADDED_SHTS_7_8_&_9_TO_CREATE_SUTSPROD_VERSION_P/N_07-442-21	N00597	REM	
5	11/07/00	4-40_x_3/8" SOCKET_HD_CHG_TO_1/2" P/N_30-443-01_TO_-02.	N00412	REM	
4	5/26/00	J43_(2_PIN_HDR)SHT_1_WAS_SHOWN AS_R/A_CORRECT_IS_VERTICAL.	N00342	REM	
3	12-1-99	CHANGED_TO_-03_-11_VERSION CHANGED_QTY_OF_33-576-01_ON_-11	E990103 N00253	ALB	

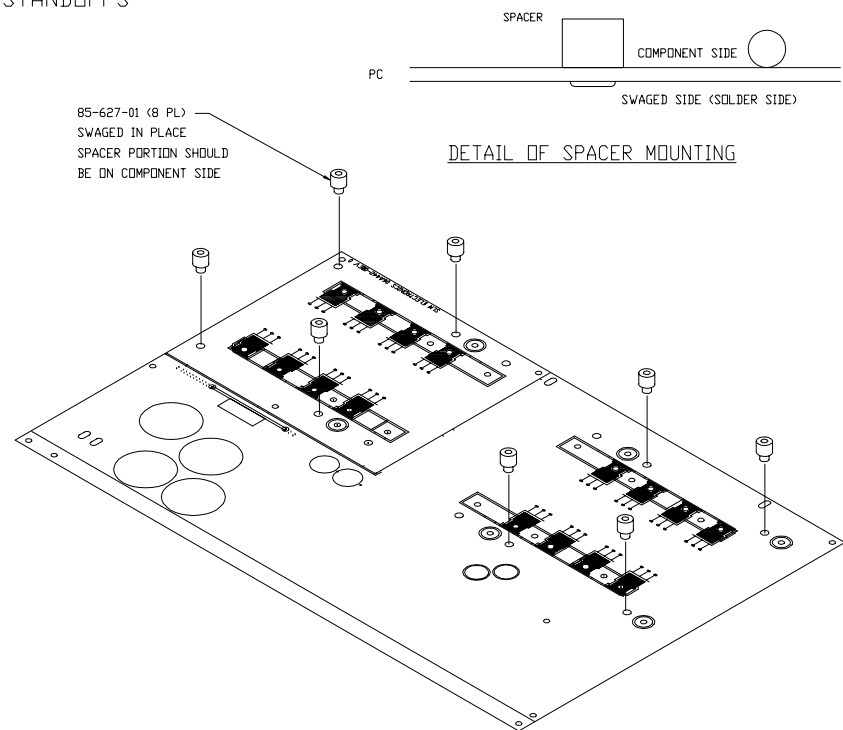
2	5-18-99	ADD_VERSION_DWG#_TO_XX		REM	
	3-31-99	CHANGE_R112,R212_FROM_7.5K TO_15K	E990025	REM	
	3-31-99	CHANGE_39-116-51_TO_-01	E990065	REM	
	11-25-98	J40_AND_J43_HERE_17-102-02	E980586	REM	
1	10-14-98	MOVE_GND,J34,J43_R/A_VALUES	980528	REM	
0		CONTROL_ISSUE			
REV:	DATE:	DESCRIPTION	ECO/ECR NO:	CHNG'D BY:	APPR'D BY:

THIS INFORMATION CONTAINED ON THIS DRAWING IS PROPRIETARY TO ST. LOUIS MUSIC, INC.

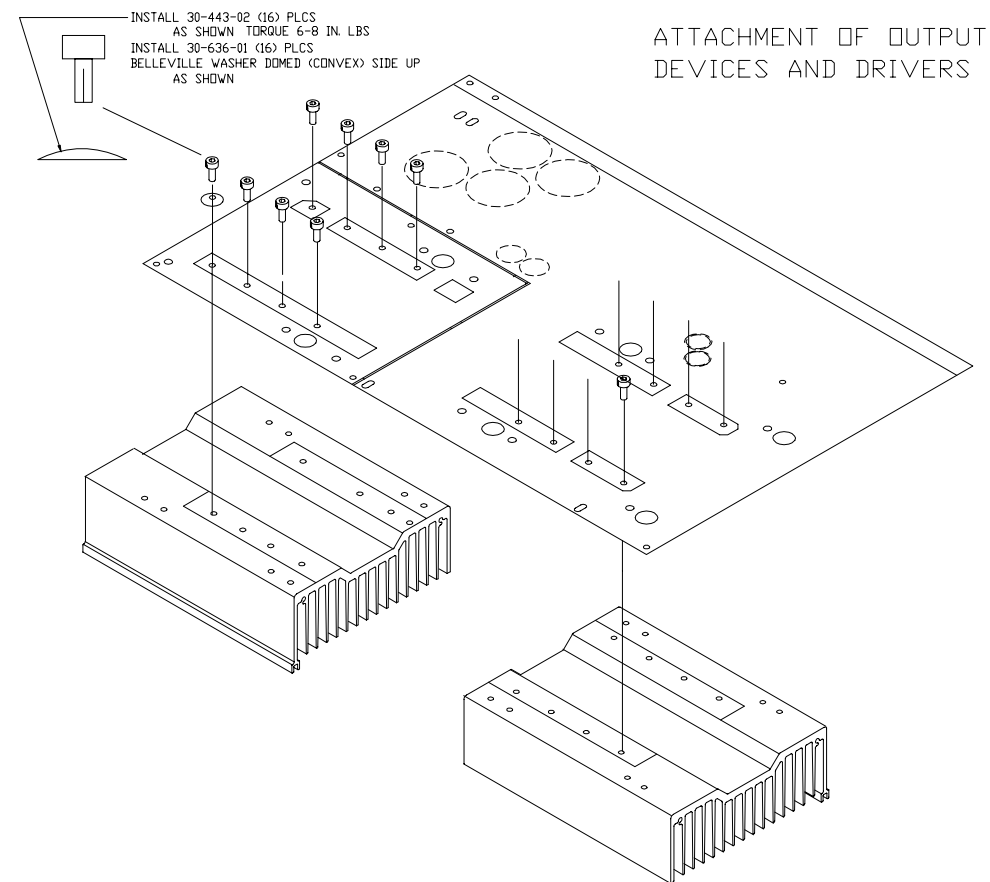
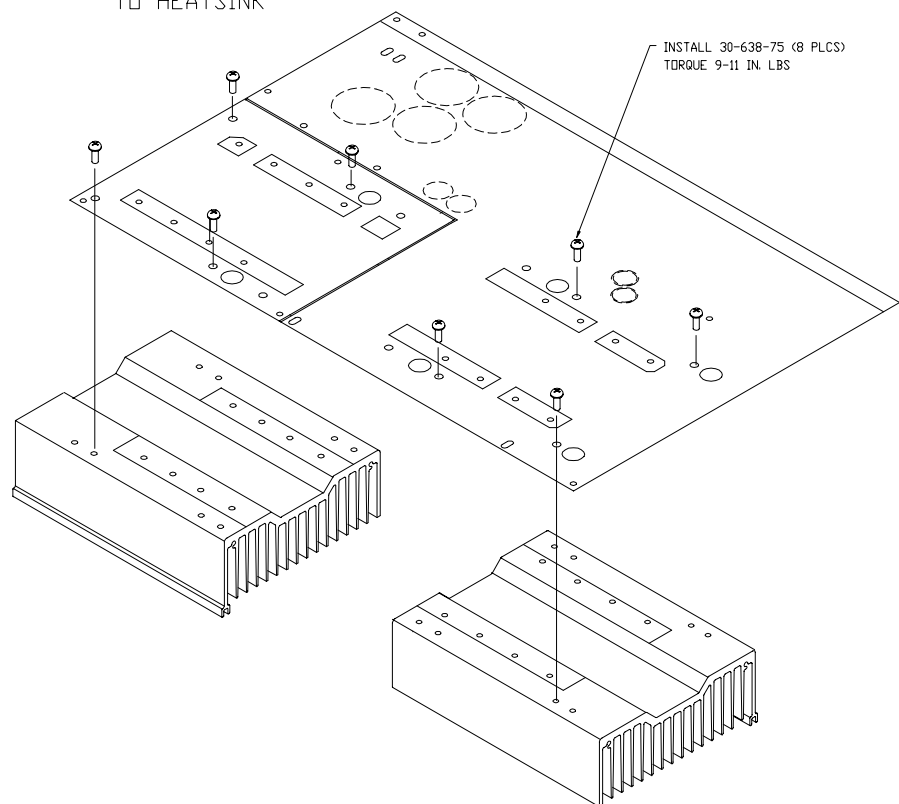
SIGNATURES:		DATE:	11880 Borman Dr. St. Louis, Missouri 63146		
DRAWN:	REM	6-25-98	FIRST USED ON: B-4R_BASS_AMP		
CHK'D:					
ALS'D:			DRAWING TITLE: POWER_AMP		
TOLERANCES:	DRAWING SIZE: C				
	DRAWING TYPE: PICTORIAL/GOOP		DRAWING NO.: 07-442-XX		
	CLASS CODE:				
	SCALE: 1:1	SHEET: SHT 1 OF 9			

A				B				C				D				E				F			
REF DES	PART #	DESCRIPTION		REF DES	PART #	DESCRIPTION		REF DES	PART #	DESCRIPTION		REF DES	PART #	DESCRIPTION		REF DES	PART #	DESCRIPTION					
AP101	71-501-02	500	TRIM	D19	21A402-01	1N4002	100V/1A	J36	17-836-01	TAB	R105	76-172-02	1.74K	1/4W	R219	77-470-03	47	1/2W					
AP201	71-501-02	500	TRIM	D20	21A402-01	1N4002	100V/1A	J37	17-836-01	TAB	R106	76-152-01	1.5K		R220	76-272-01	2.7K						
C1	10A104-01	.1uF	50U	D21	21A402-01	1N4002	100V/1A	J38	17-836-01	TAB	R107	76-102-01	1K		R221	76-272-01	2.7K						
C2	10A474-01	.47uF	50U	D22	21A402-01	1N4002	100V/1A	J42	17-105-02	HEADER	R108	76-223-01	22K		R222	76-472-01	4.7K						
C4	12-828-10	8200uF	100V	D23	21A914-01	1N914	100V/0.1A	J43	17-105-02	HEADER	R109	76-101-01	100		R223	76-472-01	4.7K						
C5	12-828-10	8200uF	100V	D24	21A914-01	1N914	100V/0.1A	J45	17-894-01	TAB	R110	76-473-02	47.5K	1/4W	R224	76-472-01	4.7K						
C6	12-828-10	8200uF	100V	D25	21A593-01	1N5393	200V/1.5A	J46	17-894-01	TAB	R111	76-102-01	1K		R225	77-102-03	1K	1/2W					
C7	12-828-10	8200uF	100V	D26	21A402-01	1N4002	100V/1A	J47	17-894-01	TAB	R112	76-153-01	15K		R226	77-470-03	47	1/2W					
C8	10F224-03	.22uF	100V	D101	21A914-01	1N914	100V/0.1A	J48	17-894-01	TAB	R113	76-153-01	15K		R227	76-681-01	680						
C9	10F224-03	.22uF	100V	D102	21A914-01	1N914	100V/0.1A	J49	17-894-01	TAB	R114	76-222-01	2.2K		R228	76-101-01	100						
C10	10A104-01	.1uF	50U	D103	21A914-01	1N914	100V/0.1A	J50	17-894-01	TAB	R115	76-223-01	22K		R229	76-471-01	470						
C11	12R227-32	220uF	35V	D104	21A914-01	1N914	100V/0.1A	K101	82-090-01	RELAY	R116	76-272-01	2.7K		R230	76-101-01	100						
C12	12-228-32	2200uF	35V	D105	21A914-01	1N914	100V/0.1A	K201	82-090-01	RELAY	R117	76-222-01	2.2K		R231	76-562-02	5.6K	1%					
C13	12-228-32	2200uF	35V	D106	21A370-01	1N3070	200V/0.1A	L101	94-141-01	.5uH	R118	77-102-03	1K	1/2W	R232	76-562-02	5.6K	1%					
C14	10A104-01	.1uF	50U	D107	21A370-01	1N3070	200V/0.1A	L201	94-141-01	.5uH	R119	77-470-03	47	1/2W	R233	76-101-01	100						
C15	10A104-01	.1uF	50U	D108	21A370-01	1N3070	200V/0.1A	OC101	66-100-01	UTL5C7	OPTO	R120	76-272-01	2.7K		R234	76-101-01	100					
C16	12R105-51	1uF	50U	D109	21A370-01	1N3070	200V/0.1A	OC201	66-100-01	UTL5C7	OPTO	R121	76-272-01	2.7K		R235	76-823-01	82K					
C17	12R476-35	47uF	35V	D110	21A914-01	1N914	100V/0.1A					R122	76-472-01	4.7K		R236	76-823-01	82K					
C18	12R476-35	47uF	35V	D111	21A370-01	1N3070	200V/0.1A	OPTJ40	17-105-03	HEADER		R123	76-472-01	4.7K									
C19	10A104-01	.1uF	50U	D112	21A370-01	1N3070	200V/0.1A	Q1	96-125-01	TIP-125		R124	76-472-01	4.7K		R243	77-470-03	47	1/2W				
C20	10A104-01	.1uF	50U	D113	21A914-01	1N914	100V/0.1A	Q101	96R175-01	J175		R125	77-102-03	1K	1/2W	R244	77-152-03	1.5K	1/2W				
C21	10A104-01	.1uF	50U	D114	21A440-01	1N4740A	10U/1W	Q102	96-133-01	MJE15033		R126	77-470-03	47	1/2W	R245	77-101-01	100	1/2W				
C22	10A104-01	.1uF	50U	D115	21A440-01	1N4740A	10U/1W	Q103	96-034-01	MJE340	TO-225A	R127	76-681-01	680		R246	78-470-05	0.47	5W				
C23	10A104-01	.1uF	50U	D116	21A440-01	1N4740A	10U/1W	Q104	96-035-01	MJE350	TO-225A	R128	76-101-01	100		R247	78-470-05	0.47	5W				
C24	10A104-01	.1uF	50U	D117	21A440-01	1N4740A	10U/1W	Q105	96-132-01	MJE15032		R129	76-471-01	470		R248	77-152-03	1.5K	1/2W				
C25	10-332-01	.0033uF	UL	D118	21A914-01	1N914	100V/0.1A	Q106	96R006-01	MPSA06		R130	76-101-01	100		R249	77-470-03	47	1/2W				
C26	10-332-01	.0033uF	UL	D119	21A914-01	1N914	100V/0.1A	Q107	96-006-01	MPSA06		R131	76-562-02	5.6K	1%	R250	77-470-03	47	1/2W				
C27	10-104-21	.1uF	250U	D120	21A914-01	1N914	100V/0.1A	Q108	96R006-01	MPSA06		R132	76-562-02	5.6K	1%	R251	77-152-03	1.5K	1/2W				
C28	10-104-21	.1uF	250U	D201	21A914-01	1N914	100V/0.1A	Q109	96R056-01	MPSA56		R133	76-101-01	100		R252	78-470-05	0.47	5W				
C29	10-104-10	.1uF	400U	D202	21A914-01	1N914	100V/0.1A	Q110	96-914-02	IRFP9240		R134	76-101-01	100		R253	78-470-05	0.47	5W				
C30	10A104-01	.1uF	50U	D203	21A914-01	1N914	100V/0.1A	Q111	96-014-02	IRFP240		R135	76-823-01	82K		R254	77-152-03	1.5K	1/2W				
C31	10A104-01	.1uF	50U	D204	21A914-01	1N914	100V/0.1A	Q112	96-014-02	IRFP240		R136	76-823-01	82K		R255	77-470-03	47	1/2W				
C32	10A104-01	.1uF	50U	D205	21A914-01	1N914	100V/0.1A	Q113	96-914-02	IRFP9240		R137	76-101-01	100		R256	77-470-03	47	1/2W				
C33	10A474-01	.47uF	50U	D206	21A370-01	1N3070	200V/0.1A	Q114	96-014-02	IRFP240		R138	76-471-01	470		R257	77-152-03	1.5K	1/2W				
C34	12-228-16	2200uF	16V	D207	21A370-01	1N3070	200V/0.1A	Q115	96-914-02	IRFP9240		R139	76-101-01	100		R258	78-470-05	0.47	5W				
C35	12-228-16	2200uF	16V	D208	21A370-01	1N3070	200V/0.1A	Q116	96-014-02	IRFP240		R140	78-470-05	0.47	5W	R259	78-470-05	0.47	5W				
C36	10A104-01	.1uF	50U	D209	21A370-01	1N3070	200V/0.1A	Q117	96-914-02	IRFP9240		R141	77-152-03	1.5K	1/2W	R260	77-152-03	1.5K	1/2W				
C37	10A104-01	.1uF	50U	D210	21A914-01	1N914	100V/0.1A	Q118	96-014-02	IRFP240		R142	77-470-03	47	1/2W	R261	77-470-03	47	1/2W				
C101	10A104-03	.1uF	100U	D211	21A370-01	1N3070	200V/0.1A	Q120	96R056-01	MPSA56		R143	77-470-03	47	1/2W	R262	77-470-03	47	1/2W				
C102	10A330-21	33pF	200U	D212	21A370-01	1N3070	200V/0.1A	Q201	96R175-01	J175		R144	77-152-03	1.5K	1/2W	R263	77-152-03	1.5K	1/2W				
C103	12R226-82	22uF	16V	D213	21A914-01	1N914	100V/0.1A	Q202	96-133-01	MJE15033		R145	77-101-01	100	1/2W	R264	78-470-05	0.47	5W				
C104	10A560-21	56pF	200U	D214	21A440-01	1N4740A	10U/1W	Q203	96-034-01	MJE340	TO-225A	R146	78-470-05	0.47	5W	R265	78-470-05	0.47	5W				
C105	10A560-21	56pF	200U	D215	21A440-01	1N4740A	10U/1W	Q204	96-035-01	MJE350	TO-225A	R147	78-470-05	0.47	5W	R266	77-152-03	1.5K	1/2W				
C106	12R106-36	10uF	35V	D216	21A440-01	1N4740A	10U/1W	Q205	96-132-01	MJE15032		R148	77-152-03	1.5K	1/2W	R267	77-470-03	47	1/2W				
C107	10A474-01	.47uF	50U	D217	21A440-01	1N4740A	10U/1W	Q206	96R006-01	MPSA06		R149	77-470-03	47	1/2W	R268	78A033-01	3.3	1W				
C108	10A104-03	.1uF	100U	D218	21A914-01	1N914	100V/0.1A	Q207	96-006-01	MPSA06		R150	77-470-03	47	1/2W	R269	76-224-01	220K					
C109	10A104-03	.1uF	100U	D219	21A914-01	1N914	100V/0.1A	Q208	96R006-01	MPSA06		R151	77-152-03	1.5K	1/2W	R270	76-153-01	15K					
C110	12R106-35	10uF	35V	DB1	21-207-01	25AMP	DIODE	Q209	96R056-01	MPSA56		R152	78-470-05	0.47	5W	R271	76-223-01	22K					
C111	12R105-51	1uF	50U	F1,2	23-301-05	1A SLO-BLO FUSE		Q210	96-914-02	IRFP9240		R153	78-470-05	0.47	5W	R272	76-223-01	22K					
C112	12R105-51	1uF	50U	F3,4	23-308-05	1.5A SLO-BLO FUSE		Q211	96-014-02	IRFP240		R154	77-152-03	1.5K	1/2W	R273	78A010-11	1	1W				
C113	12R106-36	10uF	35V	FC1	23-926-02	CLIP		Q212	96-014-02	IRFP240		R155	77-470-03	47	1/2W	R274	76-102-01	1K					
C114	12R106-36	10uF	35V	FC2	23-926-02	CLIP		Q213	96-914-02	IRFP9240		R156	77-152-03	1.5K	1/2W	S1	88-303-02	QUAD SWITCH					
C115	10A681-21	680pF	200U	FC3	23-926-02	CLIP		Q214	96-014-02	IRFP240		R157	77-470-03	47	1/2W	JW1-140	76-000-05	JUMPER WIRE					
C116	10A681-21	680pF	200U	FC4	23-926-02	CLIP		Q215	96-914-02	IRFP9240		R158	78-470-05	0.47	5W	QTY 16	30-443-02	4-40 X 1/2 SOCKET HD					
C117	10A104-03	.1uF	100U	FC5	23-926-02	CLIP		Q216	96-014-02	IRFP240		R159	78-470-05	0.47	5W	QTY 16	30-636-01	#6 BELLEVILLE WASHER					
C118	12R226-82	22uF	16V	FC6	23-926-02	CLIP		Q217	96-914-02	IRFP9240		R160	77-152-03	1.5K	1/2W	QTY 2	30-638-53	6-32 X 3/8 PPH MS					

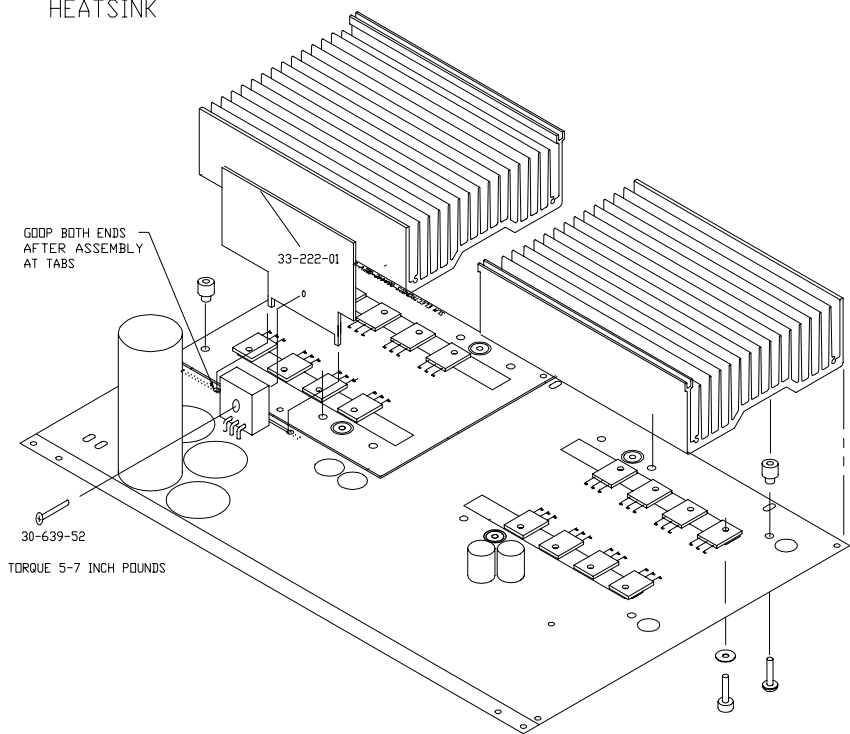
INSTALLATION OF SWAGED STANDOFFS



ATTACHMENT OF PC BOARD
TO HEATSINK

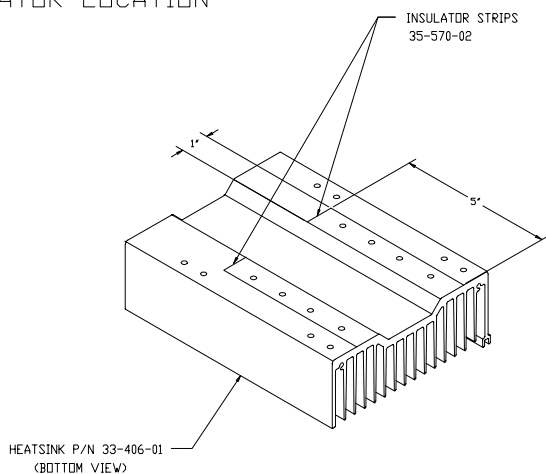


ATTACHMENT OF RECTIFIER
HEATSINK

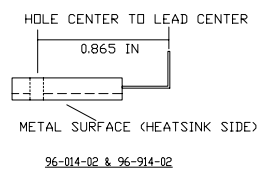


GOOP ENDS OF HEATSINK AT TABS TO RETAIN AND SUPPORT IT
AFTER ASSEMBLY TO PC BOARD

INSULATOR LOCATION

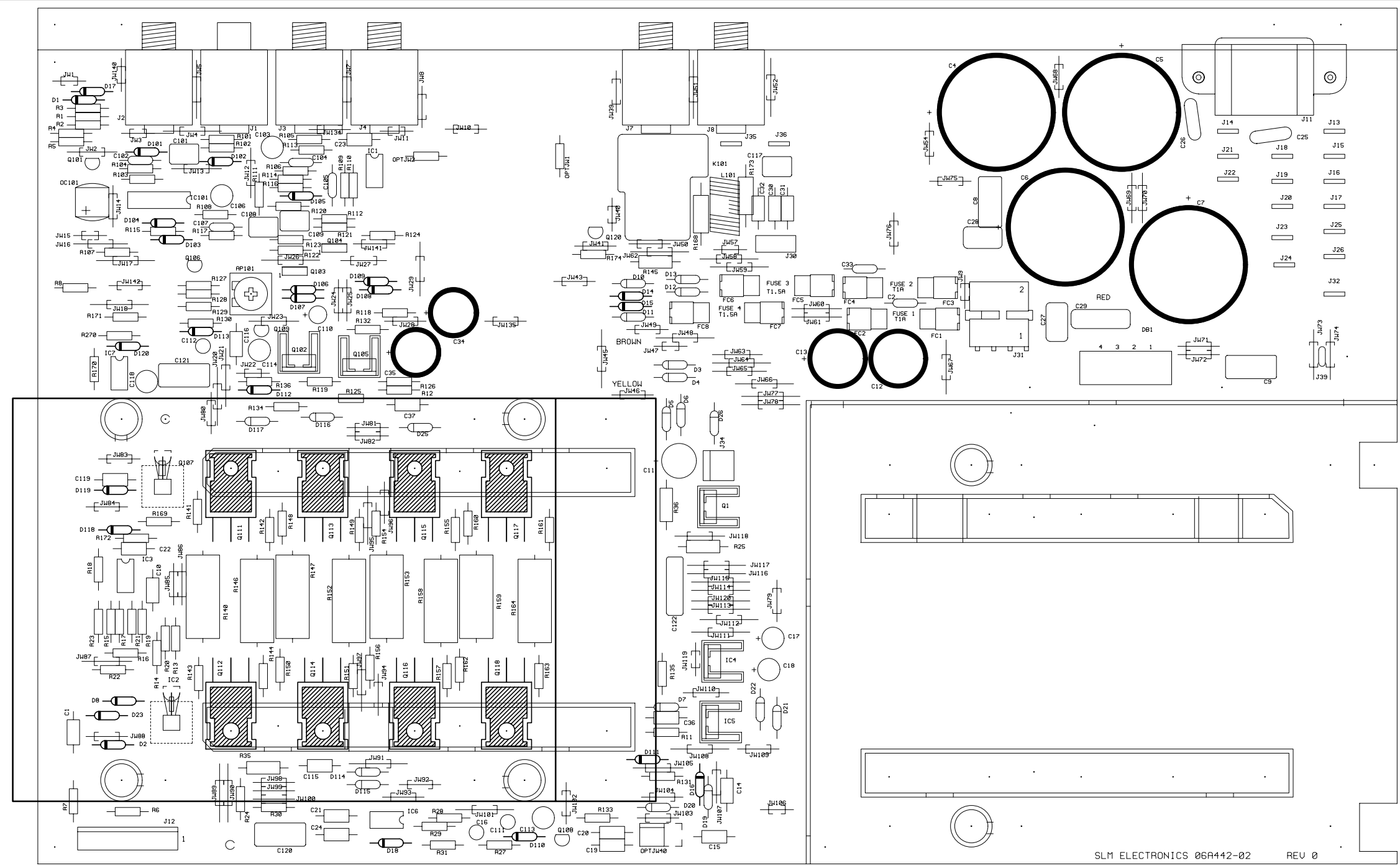


TRANSISTOR LEAD
BENDING



NOTE:
SHEET 3 OF THIS DRAWING
REPRESENTS ASSY P/N 07-442-03

6	SEE SHT 1 FOR REV HISTORY					
REV:	DATE:	DESCRIPTION	ECR/ECN NO:	CHG'D BY:	APPR'D BY:	DATE:
THE INFORMATION CONTAINED ON THIS DRAWING IS PROPRIETARY TO ST. LOUIS MUSIC, INC.						
SIGNATURES:		DATE:		11880 Borman Dr. St. Louis, Missouri 63146		
DRAWN:	REM	6-25-98		B-4R BASS AMP		
CHK'D:				FIRST USED ON:		
RLS'D:				DRAWING TITLE:		
TOLERANCES:	DRAWING SIZE: D		DRAWING TYPE:			
	DRAWING TYPE:		POWER AMP			
	CLASS CODE:		DRAWING NO:			
	SCALE: none	SHEET: 3 OF 9		07-442-XX		



SLM ELECTRONICS 06R442-02 REV 0

NOTE: GOOP C12, C13, C34, C35, C4-C7 PER STANDARD GOOP PROCEDURE.

SHEETS 4,5 & 6 OF THIS DRAWING REPRESENT ASSY P/N 07-442-11

NOTE: SHEET 3 AND 6 ARE AUTOCAD DRAWING FILE # 442XXP?.DWG

6	SEE_SHT_1_FOR_REV_HISTORY					
REV:	DATE:	DESCRIPTION	ECO/ECR NO:	CHNG'D BY:	APPR'D BY:	DATE:
THIS INFORMATION CONTAINED ON THIS DRAWING IS PROPRIETARY TO ST. LOUIS MUSIC, INC.						
SIGNATURES:		DATE:	11880 Borman Dr. St. Louis, Missouri 63146			
DRAWN:	REM	6-25-98				
CHK'D:			FIRST USED ON:			
RLS'D:			B-4R_BASS_AMP			
TOLERANCES:	DRAWING SIZE: C		DRAWING TITLE:			
	DRAWING TYPE: PICTORIAL/GOOP		POWER_AMP			
	CLASS CODE:		DRAWING NO.:			
	SCALE: 1:1	SHEET: SHT 4 OF 9	07-442-XX			

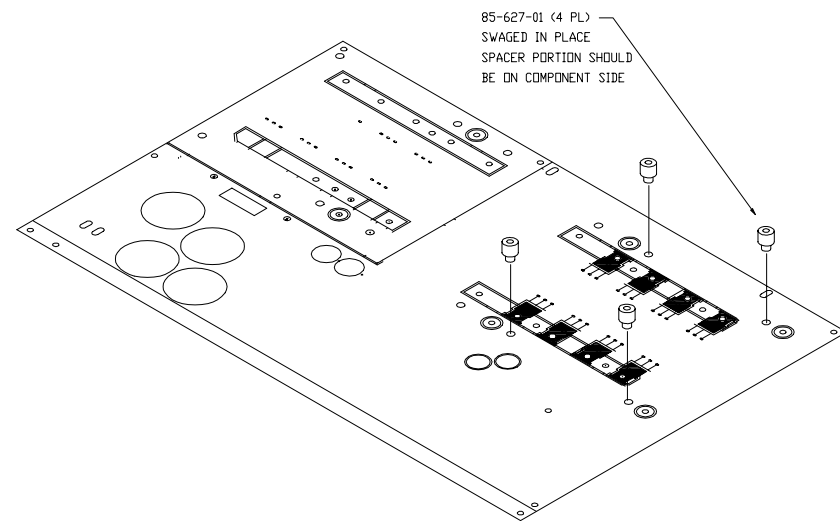
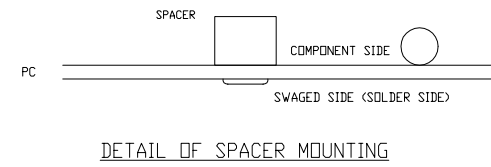
C

D

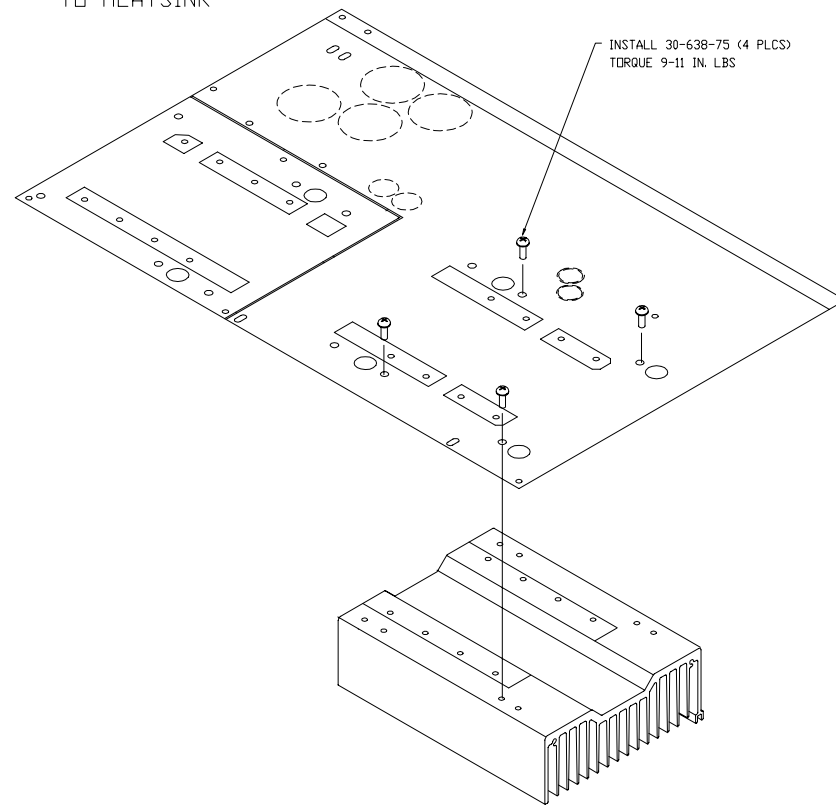
E

F

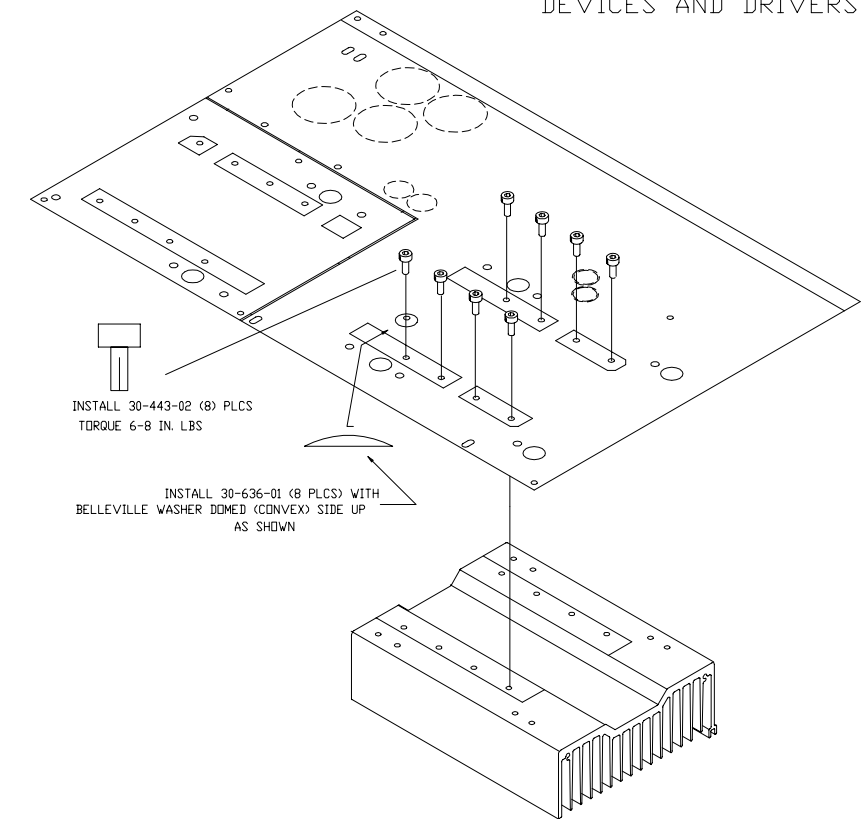
INSTALLATION OF SWAGED STANDOFFS



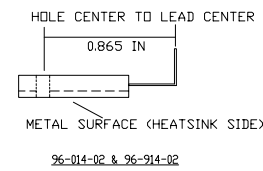
ATTACHMENT OF PC BOARD
TO HEATSINK



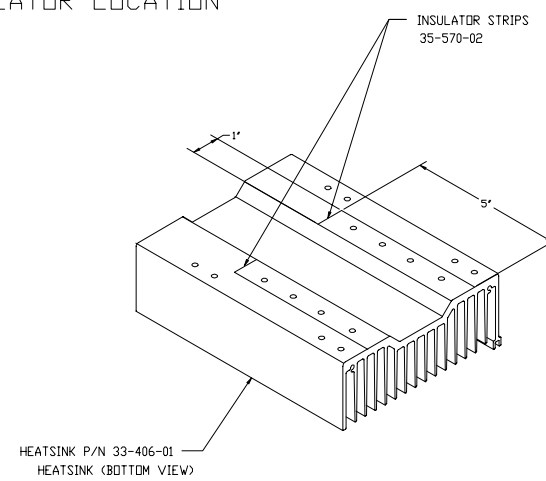
ATTACHMENT OF OUTPUT
DEVICES AND DRIVERS



TRANSISTOR LEAD
BENDING

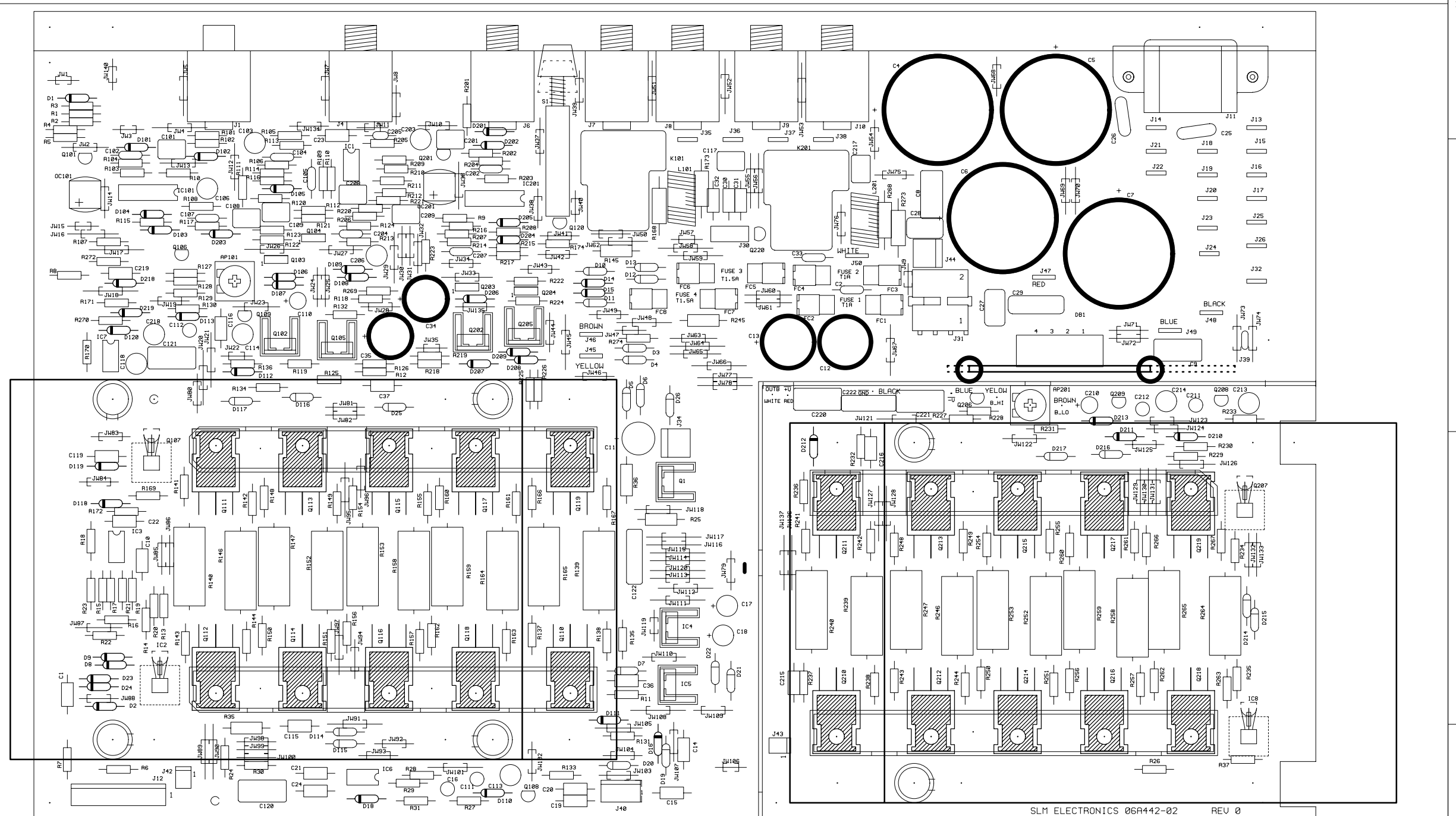


INSULATOR LOCATION



NOTE:
SHEET 6 OF THIS DRAWING
REPRESENTS ASSY P/N 07-442-11

6	SEE SHT 1 FOR REV HISTORY					
REV:	DATE:	DESCRIPTION	ECR/ECN NO:	CHNG'D BY:	APPR'D BY:	DATE:
THE INFORMATION CONTAINED ON THIS DRAWING IS PROPRIETARY TO ST. LOUIS MUSIC, INC.						
SIGNATURES:		DATE:		11880 Borman Dr. St. Louis, Missouri 63146		
DRAWN:	REM	6-25-98		FIRST USED ON:		
CHK'D:				B-4R BASS AMP		
RLS'D:				DRAWING TITLE:		
TOLERANCES:	DRAWING SIZE:	D		DRAWING NO:		
	DRAWING TYPE:			POWER AMP		
	CLASS CODE:			DRAWING NO:		
	SCALE: none	SHEET: 6 OF 9		07-442-XX		



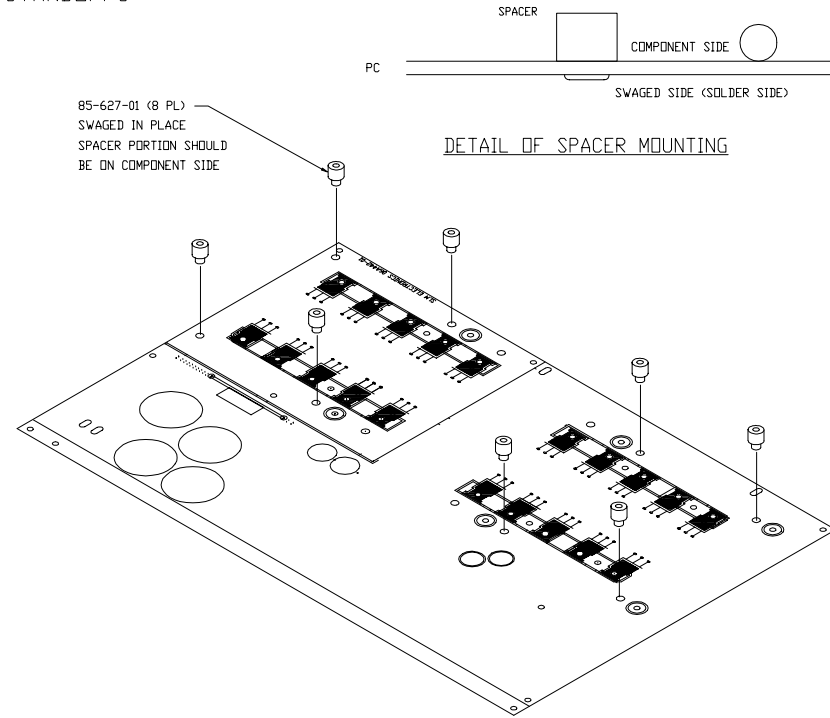
NOTES

- 1) CAUTION: SHOCK HAZARD!!
THIS UNIT CONTAINS HAZARDOUS VOLTAGE. DISCONNECT POWER AND BE SURE POWER SUPPLY IS DISCHARGED BEFORE TOUCHING INTERNAL PARTS.
 - 2) UNLESS NOTED, RESISTOR VALUES IN OHMS, 1/4W-5%TOL. CAPACITOR VALUES IN MICROFARADS, 50V-10%TOL.
 - 3) VOLTAGES ARE MEASURED WITH 1 MEGOHM OSCILLOSCOPE AND 10 MEGOHM DIGITAL VOLTMETER.
- PER STANDARD GOOP PROCEDURE.
SHEETS 7, 8, & 9 OF THIS DRAWING REPRESENT ASSY P/N 07-442-21
NOTE: SHEET 3, 6, AND 9 ARE AUTOCAD DRAWING FILE # 442XXP?.DWG

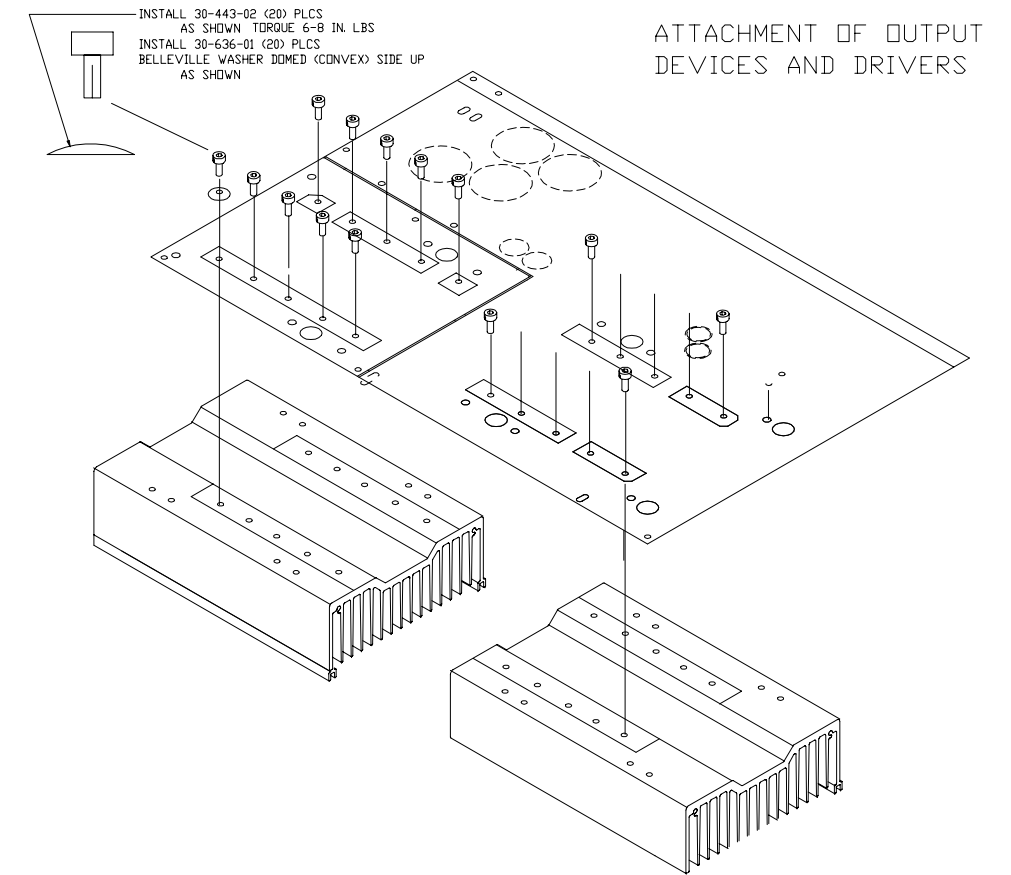
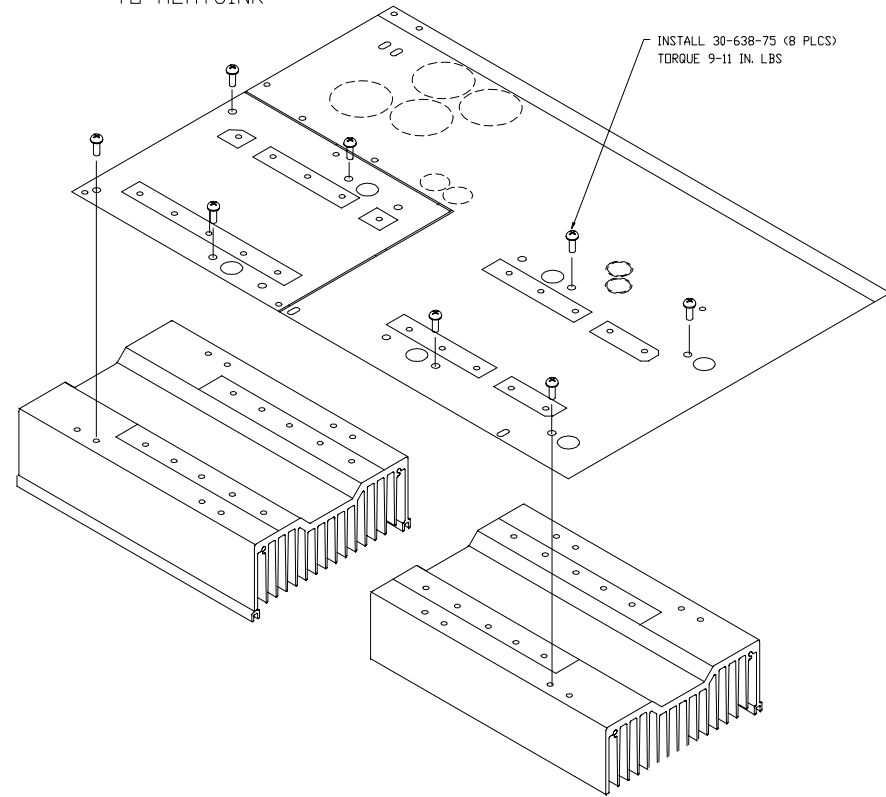
6	SEE_SHT_1_FOR_REV_HISTORY				
REV:	DATE:	DESCRIPTION	ECO/ECR NO:	CHNG'D BY:	APPR'D BY:
THIS INFORMATION CONTAINED ON THIS DRAWING IS PROPRIETARY TO ST. LOUIS MUSIC, INC.					
SIGNATURES:		DATE:		11880 Borman Dr. St. Louis, Missouri 63146	
DRAWN: REM		6-25-98		FIRST USED ON: B-4R_BASS_AMP	
CHK'D:				DRAWING TITLE: POWER_AMP	
RLS'D:				DRAWING NO.: 07-442-XX	
TOLERANCES:		DRAWING SIZE: C		SCALE: 1:1	
		DRAWING TYPE: PICTORIAL/GOOP		SHEET: SHT 7 OF 9	
		CLASS CODE:			

A				B				C				D				E				F				
REF	DES	PART #	DESCRIPTION	REF	DES	PART #	DESCRIPTION	REF	DES	PART #	DESCRIPTION	REF	DES	PART #	DESCRIPTION	REF	DES	PART #	DESCRIPTION	REF	DES	PART #	DESCRIPTION	
AP101		71-501-02	500 TRIM					J36		17-836-01	TAB	R105		76-172-02	1.74K 1/4W	R219		77-470-03	47	R219		77-470-03	47	1/2W
AP201		71-501-02	500 TRIM	D19		21A402-01	1N4002 100U/1A	J37		17-836-01	TAB	R106		76-152-01	1.5K	R220		76-272-01	2.7K	R220		76-272-01	2.7K	1/2W
C1		10A104-01	.1uF 50U	D20		21A402-01	1N4002 100U/1A	J38		17-836-01	TAB	R107		76-102-01	1K	R221		76-272-01	2.7K	R221		76-272-01	2.7K	1/2W
C2		10A474-01	.47uF 50U	D21		21A402-01	1N4002 100U/1A	J39		17-836-01	TAB	R108		76-223-01	22K	R222		76-472-01	4.7K	R222		76-472-01	4.7K	1/2W
C4		12-828-10	8200uF 100U	D22		21A402-01	1N4002 100U/1A	J40		17-105-05	HEADER	R109		76-101-01	100	R223		76-472-01	4.7K	R223		76-472-01	4.7K	1/2W
C5		12-828-10	8200uF 100U	D23		21A914-01	1N914 100U/0.1A	J41		17-105-02	HEADER	R110		76-473-02	47.5K 1/4W	R224		76-472-01	4.7K	R224		76-472-01	4.7K	1/2W
C6		12-828-10	8200uF 100U	D24		21A914-01	1N914 100U/0.1A	J42		17-309-02	CONN 2 PIN LOCKING	R111		76-102-01	1K	R225		77-102-03	1K	R225		77-102-03	1K	1/2W
C7		12-828-10	8200uF 100U	D25		21A593-01	1N5393 200U/1.5A	J43		17-894-01	TAB	R112		76-153-01	15K	R226		77-470-03	47	R226		77-470-03	47	1/2W
C8		10F224-03	.22uF 100U	D26		21A402-01	1N4002 100U/1A	J44		17-894-01	TAB	R113		76-222-01	2.2K	R227		76-681-01	680	R227		76-681-01	680	1/2W
C9		10F224-03	.22uF 100U	D101		21A914-01	1N914 100U/0.1A	J45		17-894-01	TAB	R114		76-223-01	2.2K	R228		76-101-01	100	R228		76-101-01	100	1/2W
C10		10A104-01	.1uF 50U	D102		21A914-01	1N914 100U/0.1A	J46		17-894-01	TAB	R115		76-272-01	2.7K	R229		76-471-01	470	R229		76-471-01	470	1/2W
C11		12R227-32	220uF 35U	D103		21A914-01	1N914 100U/0.1A	J47		17-894-01	TAB	R116		76-272-01	2.7K	R230		76-101-01	100	R230		76-101-01	100	1/2W
C12		12-228-32	2200uF 35U	D104		21A914-01	1N914 100U/0.1A	J48		17-894-01	TAB	R117		76-222-01	2.2K	R231		76-562-02	5.6K 1%	R231		76-562-02	5.6K 1%	1%
C13		12-228-32	2200uF 35U	D105		21A914-01	1N914 100U/0.1A	J49		17-894-01	TAB	R118		77-102-03	1K 1/2W	R232		76-562-02	5.6K 1%	R232		76-562-02	5.6K 1%	1%
C14		10A104-01	.1uF 50U	D106		21A370-01	1N3070 200U/0.1A	J50		17-894-01	TAB	R119		77-470-03	47	R233		76-101-01	100	R233		76-101-01	100	1/2W
C15		10A104-01	.1uF 50U	D107		21A370-01	1N3070 200U/0.1A	K101		82-090-01	RELAY	R120		76-272-01	2.7K	R234		76-101-01	100	R234		76-101-01	100	1/2W
C16		12R105-51	1uF 50U	D108		21A370-01	1N3070 200U/0.1A	K201		82-090-01	RELAY	R121		76-272-01	2.7K	R235		76-823-01	82K	R235		76-823-01	82K	1/2W
C17		12R476-35	47uF 35U	D109		21A370-01	1N3070 200U/0.1A	L101		94-141-01	.5uH	R122		76-472-01	4.7K	R236		76-823-01	82K	R236		76-823-01	82K	1/2W
C18		12R476-35	47uF 35U	D110		21A914-01	1N914 100U/0.1A	L201		94-141-01	.5uH	R123		76-472-01	4.7K	R237		77-470-03	47	R237		77-470-03	47	1/2W
C19		10A104-01	.1uF 50U	D111		21A370-01	1N3070 200U/0.1A	OC101		66-100-01	UTL5C7 OPTO	R124		77-102-03	1K 1/2W	R238		77-222-03	2.2K 1/2W	R238		77-222-03	2.2K 1/2W	1/2W
C20		10A104-01	.1uF 50U	D112		21A370-01	1N3070 200U/0.1A	OC201		66-100-01	UTL5C7 OPTO	R125		77-470-03	47	R239		78-470-05	0.47 5W	R239		78-470-05	0.47 5W	1/2W
C21		10A104-01	.1uF 50U	D113		21A914-01	1N914 100U/0.1A					R126		76-681-01	680	R240		78-470-05	0.47 5W	R240		78-470-05	0.47 5W	1/2W
C22		10A104-01	.1uF 50U	D114		21A440-01	1N4740A 10U/1W					R127		76-101-01	100	R241		77-222-03	2.2K 1/2W	R241		77-222-03	2.2K 1/2W	1/2W
C23		10A104-01	.1uF 50U	D115		21A440-01	1N4740A 10U/1W					R128		76-471-01	470	R242		77-470-03	47 1/2W	R242		77-470-03	47 1/2W	1/2W
C24		10A104-01	.1uF 50U	D116		21A440-01	1N4740A 10U/1W					R129		76-101-01	100	R243		77-470-03	47 1/2W	R243		77-470-03	47 1/2W	1/2W
C25		10-332-01	.0033uF UL	D117		21A440-01	1N4740A 10U/1W	Q1		96-125-01	TIP-125	R130		76-562-02	5.6K 1%	R244		77-222-03	2.2K 1/2W	R244		77-222-03	2.2K 1/2W	1/2W
C26		10-332-01	.0033uF UL	D118		21A914-01	1N914 100U/0.1A	Q101		96R175-01	J175	R245		77-101-01	100	R245		77-101-01	100 1/2W	R245		77-101-01	100 1/2W	1/2W
C27		10-104-21	.1uF 250U	D119		21A914-01	1N914 100U/0.1A	Q102		96-133-01	MJE15033	R246		78-470-05	0.47 5W	R246		78-470-05	0.47 5W	R246		78-470-05	0.47 5W	1/2W
C28		10-104-21	.1uF 250U	D120		21A914-01	1N914 100U/0.1A	Q103		96-034-01	MJE340	R247		76-101-01	100	R247		78-470-05	0.47 5W	R247		78-470-05	0.47 5W	1/2W
C29		10-104-10	.1uF 400U	D201		21A914-01	1N914 100U/0.1A	Q104		96-035-01	MJE350	R248		76-823-01	82K	R248		77-222-03	2.2K 1/2W	R248		77-222-03	2.2K 1/2W	1/2W
C30		10A104-01	.1uF 50U	D202		21A914-01	1N914 100U/0.1A	Q105		96-132-01	MJE15032	R249		76-823-01	82K	R249		77-470-03	47 1/2W	R249		77-470-03	47 1/2W	1/2W
C31		10A104-01	.1uF 50U	D203		21A914-01	1N914 100U/0.1A	Q106		96R006-01	MPSA06	R250		77-470-03	47 1/2W	R250		77-470-03	47 1/2W	R250		77-470-03	47 1/2W	1/2W
C32		10A104-01	.1uF 50U	D204		21A914-01	1N914 100U/0.1A	Q107		96-006-01	MPSA06	R251		77-222-03	2.2K 1/2W	R251		77-222-03	2.2K 1/2W	R251		77-222-03	2.2K 1/2W	1/2W
C33		10A474-01	.47uF 50U	D205		21A914-01	1N914 100U/0.1A	Q108		96R006-01	MPSA06	R252		78-470-05	0.47 5W	R252		78-470-05	0.47 5W	R252		78-470-05	0.47 5W	1/2W
C34		12-228-16	2200uF 16U	D206		21A370-01	1N3070 200U/0.1A	Q109		96R056-01	MPSA56	R253		78-470-05	0.47 5W	R253		78-470-05	0.47 5W	R253		78-470-05	0.47 5W	1/2W
C35		12-228-16	2200uF 16U	D207		21A370-01	1N3070 200U/0.1A	Q110		96-014-02	IRFP240	R254		77-222-03	2.2K 1/2W	R254		77-222-03	2.2K 1/2W	R254		77-222-03	2.2K 1/2W	1/2W
C36		10A104-01	.1uF 50U	D208		21A370-01	1N3070 200U/0.1A	Q111		96-914-02	IRFP9240	R255		77-470-03	47 1/2W	R255		77-470-03	47 1/2W	R255		77-470-03	47 1/2W	1/2W
C37		10A104-01	.1uF 50U	D209		21A370-01	1N3070 200U/0.1A	Q112		96-014-02	IRFP240	R256		77-470-03	47 1/2W	R256		77-470-03	47 1/2W	R256		77-470-03	47 1/2W	1/2W
C101		10R104-03	.1uF 100U	D210		21A914-01	1N914 100U/0.1A	Q113		96-914-02	IRFP9240	R257		77-222-03	2.2K 1/2W	R257		77-222-03	2.2K 1/2W	R257		77-222-03	2.2K 1/2W	1/2W
C102		10A330-21	33pF 200U	D211		21A370-01	1N3070 200U/0.1A	Q114		96-014-02	IRFP240	R258		77-101-01	100 1/2W	R258		78-470-05	0.47 5W	R258		78-470-05	0.47 5W	1/2W
C103		12R226-82	22uF 16U	D212		21A370-01	1N3070 200U/0.1A	Q115		96-914-02	IRFP9240	R259		78-470-05	0.47 5W	R259		78-470-05	0.47 5W	R259		78-470-05	0.47 5W	1/2W
C104		10A102-11	.001 100U	D213		21A914-01	1N914 100U/0.1A	Q116		96-014-02	IRFP240	R260		77-222-03	2.2K 1/2W	R260		77-222-03	2.2K 1/2W	R260		77-222-03	2.2K 1/2W	1/2W
C105		10A560-21	56pF 200U	D214		21A440-01	1N4740A 10U/1W	Q117		96-914-02	IRFP9240	R261		77-470-03	47 1/2W	R261		77-470-03	47 1/2W	R261		77-470-03	47 1/2W	1/2W
C106		12R106-36	10uF 35U	D215		21A440-01	1N4740A 10U/1W	Q118		96-014-02	IRFP240	R262		77-470-03	47 1/2W	R262		77-470-03	47 1/2W	R262		77-470-03	47 1/2W	1/2W
C107		10A474-01	.47uF 50U	D216		21A440-01	1N4740A 10U/1W	Q119		96-914-02	IRFP9240	R263		77-470-03	47 1/2W	R263		77-222-03	2.2K 1/2W	R263		77-222-03	2.2K 1/2W	1/2W
C108		10R104-03	.1uF 100U	D217		21A440-01</																		

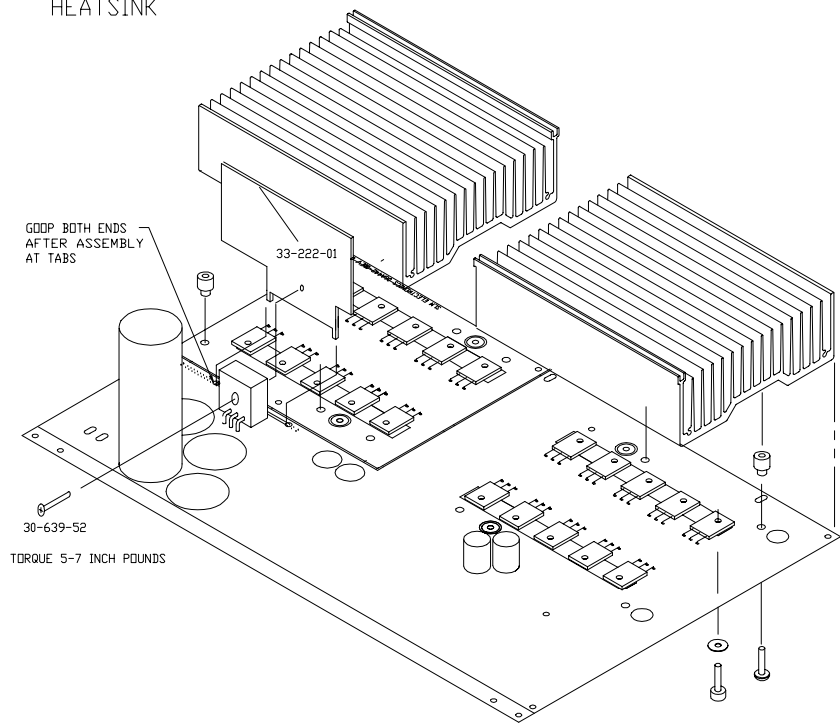
INSTALLATION OF SWAGED STANDOFFS



ATTACHMENT OF PC BOARD
TO HEATSINK

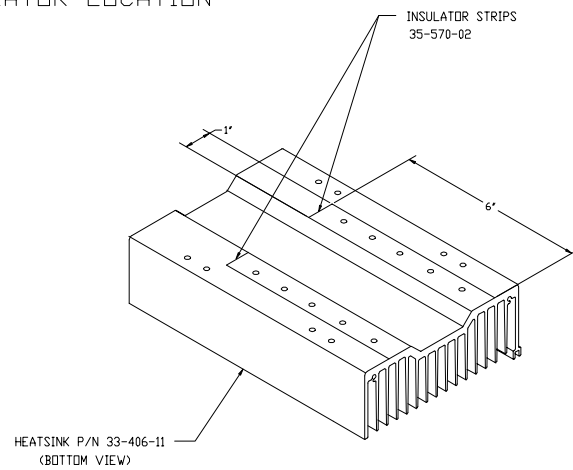


ATTACHMENT OF RECTIFIER
HEATSINK

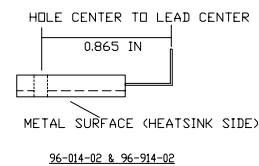


GAPP ENDS OF HEATSINK AT TABS TO RETAIN AND SUPPORT IT
AFTER ASSEMBLY TO PC BOARD

INSULATOR LOCATION

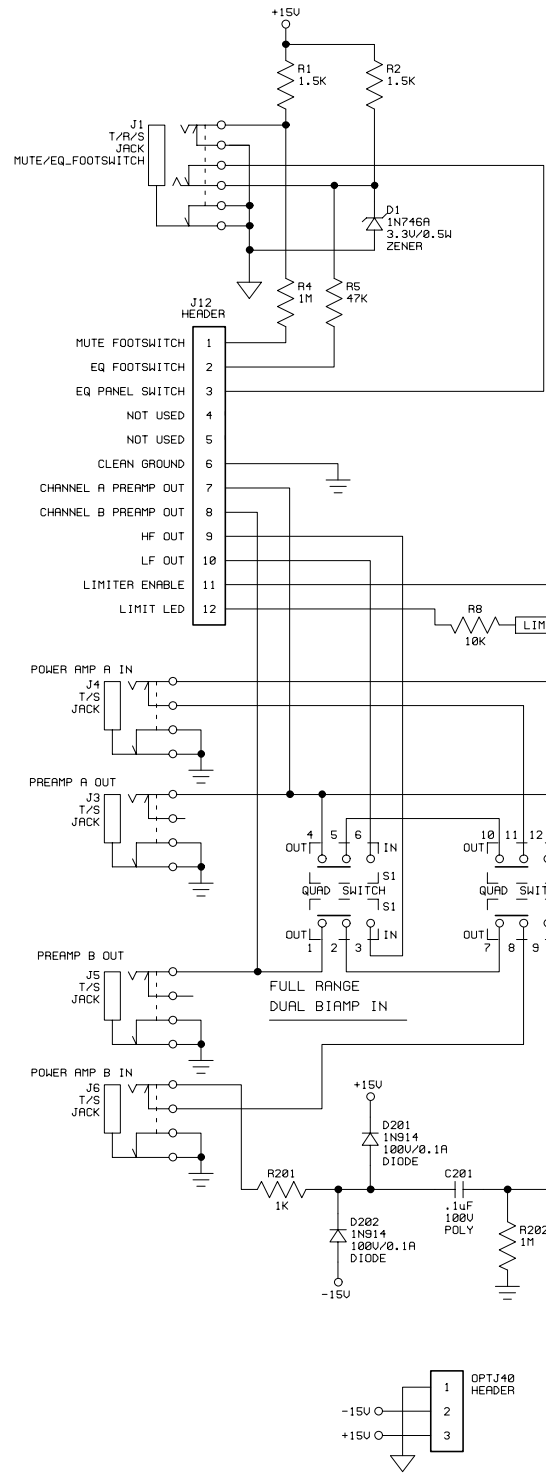


TRANSISTOR LEAD
BENDING



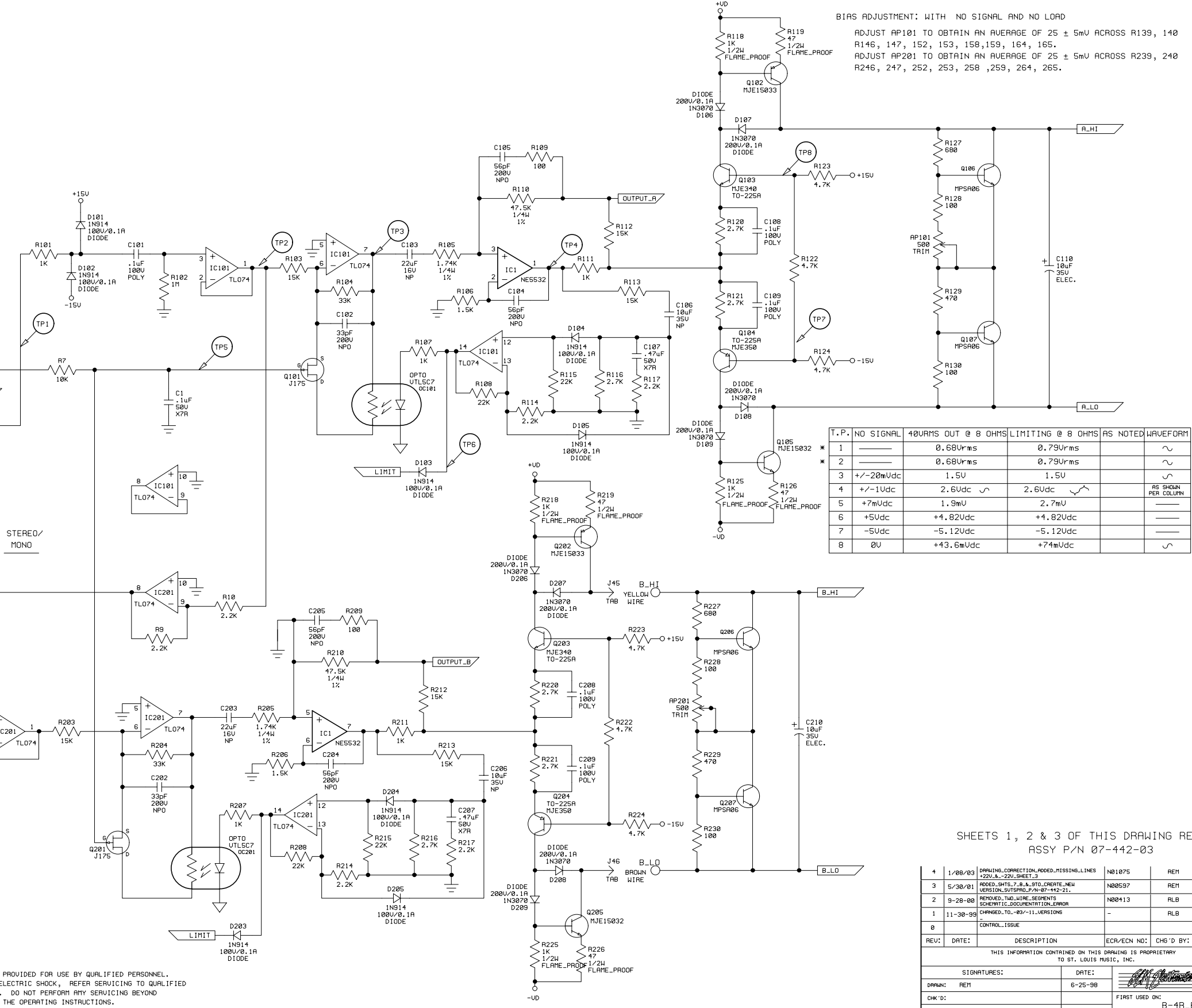
NOTE:
SHEET 9 OF THIS DRAWING
REPRESENTS ASSY P/N 07-442-21

REV:	DATE:	DESCRIPTION	ECR/ECN NO:	CHNG'D BY:	APPR'D BY:	DATE:
6		SEE SHT 1 FOR REV HISTORY				
THE INFORMATION CONTAINED ON THIS DRAWING IS PROPRIETARY TO ST. LOUIS MUSIC, INC.						
SIGNATURES:		DATE:		11880 Borman Dr. St. Louis, Missouri 63146		
DRAWN:	REM	6-25-98		<i>REM</i>		
CHK'D:				FIRST USED ON:		
RLS'D:				B-4R BASS AMP		
TOLERANCES:	DRAWING SIZE:	D		DRAWING TITLE:		
	DRAWING TYPE:			POWER AMP		
	CLASS CODE:			DRAWING NO:		
	SCALE:	none	SHEET: 9 OF 9		07-442-XX	



NOTES:
 1) THIS UNIT CONTAINS HAZARDOUS VOLTAGE. DISCONNECT POWER AND BE SURE POWER SUPPLY IS DISCHARGED BEFORE TOUCHING INTERNAL PARTS.
 2) UNLESS NOTED, RESISTOR VALUES IN OHMS, 1/4W-5% TOL. CAPACITOR VALUES IN MICROFARADS, 50U-10% TOL.
 3) VOLTAGES ARE MEASURED WITH 1 MEGOHM OSCILLOSCOPE AND 10 MEGOHM DIGITAL VOLTMETER.

CAUTION:
 THIS SCHEMATIC IS PROVIDED FOR USE BY QUALIFIED PERSONNEL. TO AVOID RISK OF ELECTRIC SHOCK, REFER SERVICING TO QUALIFIED SERVICE PERSONNEL. DO NOT PERFORM ANY SERVICING BEYOND THAT EXPLAINED IN THE OPERATING INSTRUCTIONS.



BIAS ADJUSTMENT: WITH NO SIGNAL AND NO LOAD
 ADJUST AP101 TO OBTAIN AN AVERAGE OF 25 ± 5mV ACROSS R139, 140, R146, 147, 152, 153, 158, 159, 164, 165.
 ADJUST AP201 TO OBTAIN AN AVERAGE OF 25 ± 5mV ACROSS R239, 240, R246, 247, 252, 253, 258, 259, 264, 265.

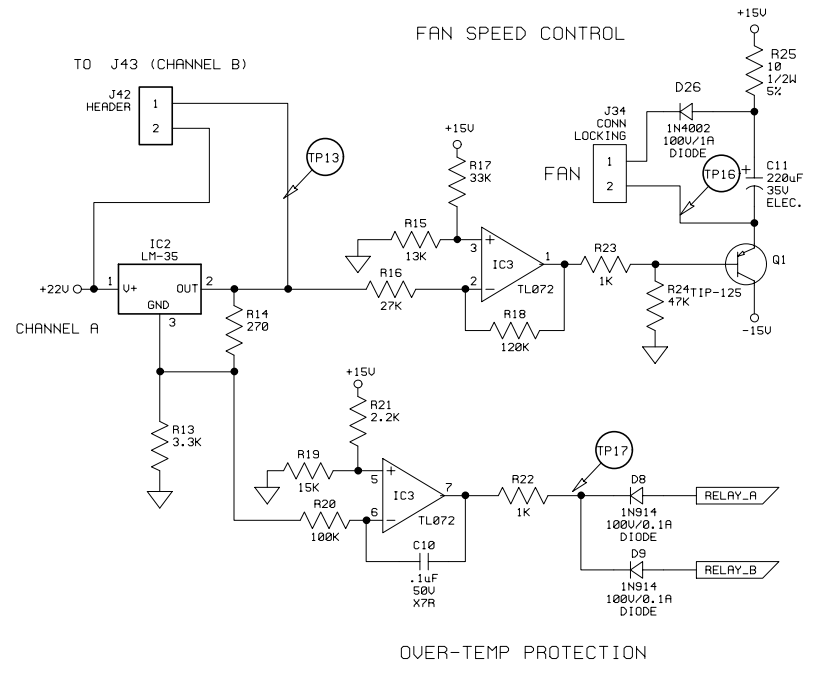
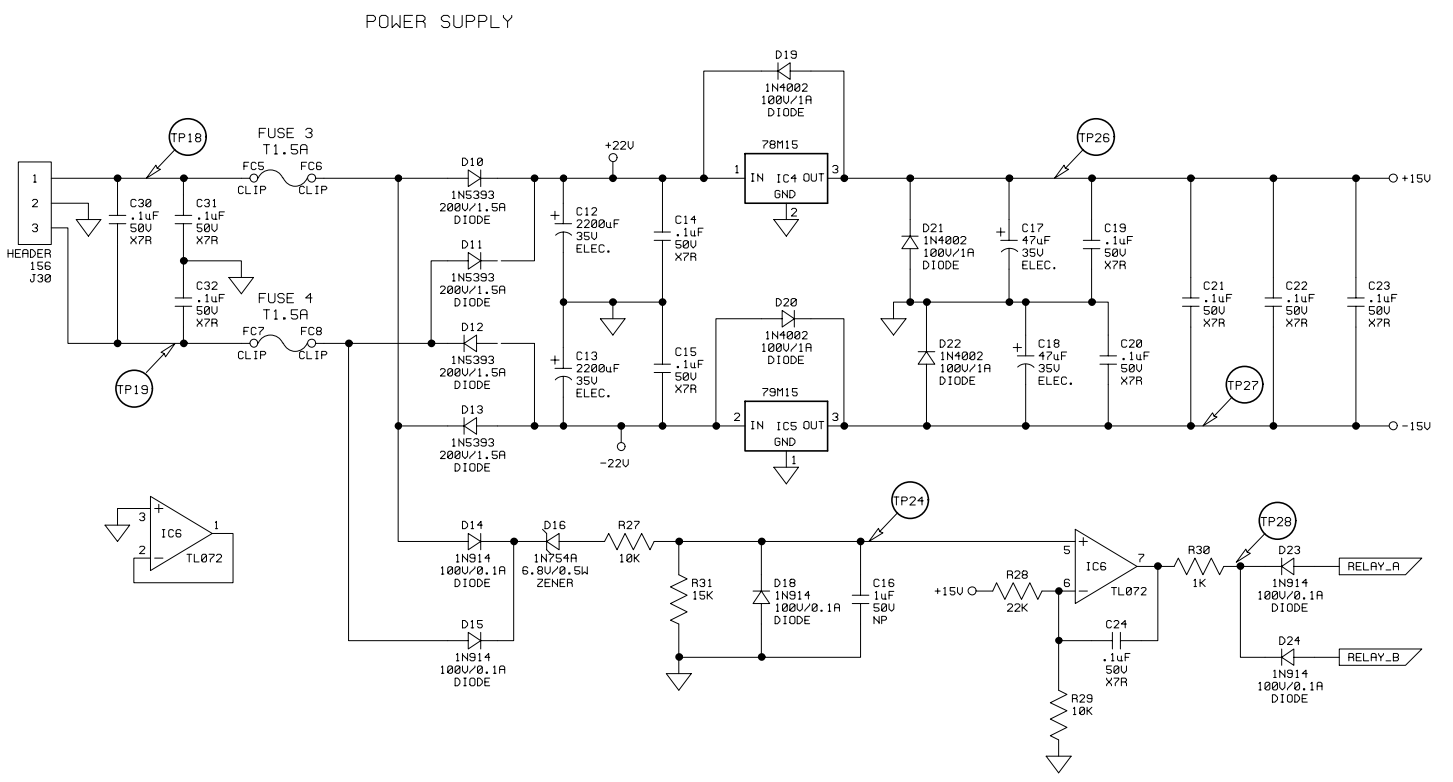
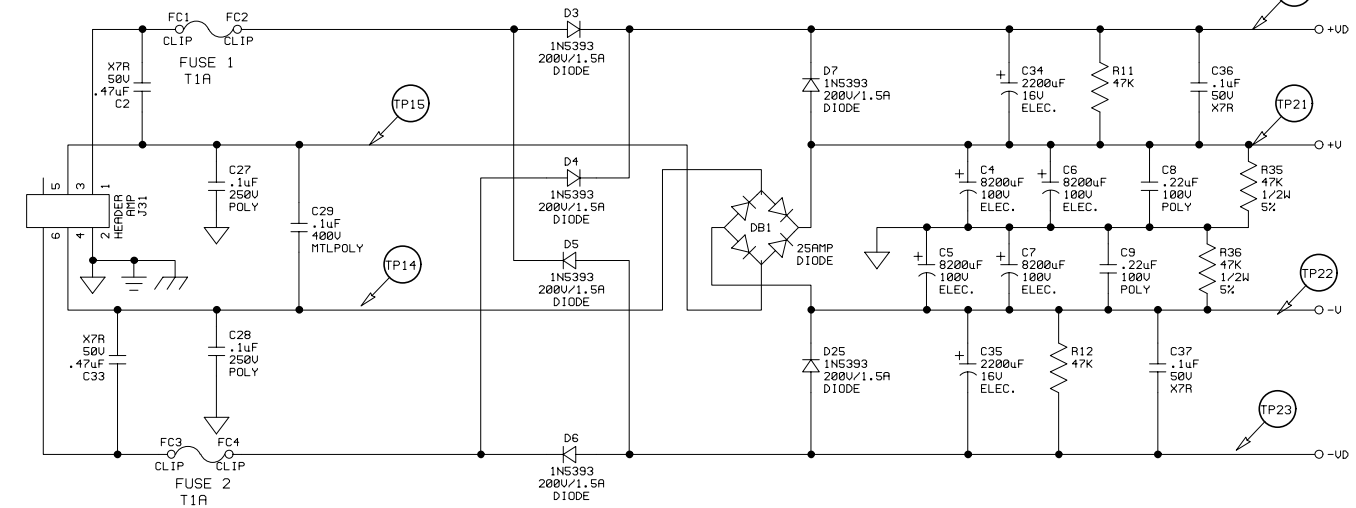
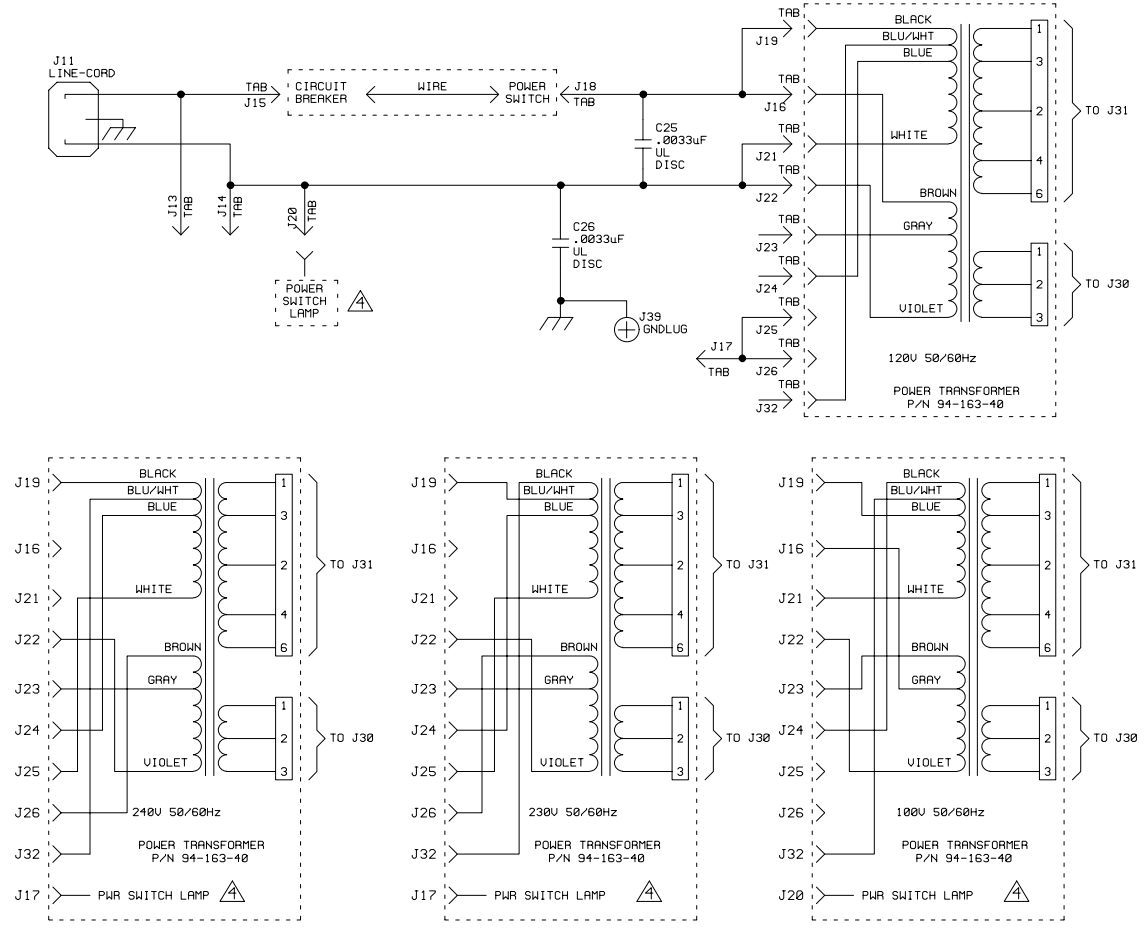
T.P.	NO SIGNAL	40Vrms OUT @ 8 OHMS	LIMITING @ 8 OHMS	AS NOTED	WAVEFORM
1		0.68Vrms	0.79Vrms		~
2		0.68Vrms	0.79Vrms		~
3	+/-20mVdc	1.5V	1.5V		~
4	+/-1Vdc	2.6Vdc	2.6Vdc		AS SHOWN PER COLUMN
5	+7mVdc	1.9mV	2.7mV		
6	+5Udc	+4.82Udc	+4.82Udc		
7	-5Udc	-5.12Udc	-5.12Udc		
8	0V	+43.6mVdc	+74mVdc		~

SHEETS 1, 2 & 3 OF THIS DRAWING REPRESENT ASSY P/N 07-442-03

REV	DATE	DESCRIPTION	ECR/ECN NO	CHG'D BY	APP'D BY	DATE
4	1/08/03	DRAWING CORRECTION ADDED MISSING LINES +22U-22U SHEET 3	N01075	REM		
3	5/30/01	ADDED SMTS 7, 8, & 9 TO CREATE NEW VERSION SUBPART P/N 07-442-21.	N00597	REM		
2	9-28-00	REMOVED TWO WIRE SEGMENTS SCHEMATIC DOCUMENTATION ERROR	N00413	RLB		
1	11-30-99	CHANGED TO -03/-11 VERSIONS	-	RLB		
0		CONTROL ISSUE				

THIS INFORMATION CONTAINED ON THIS DRAWING IS PROPRIETARY TO ST. LOUIS MUSIC, INC.

SIGNATURES:	DATE:	1188 Borman Dr. St. Louis, Missouri 63146
DRAWN: REM	6-25-98	
CHK'D:		
RLS'D:		
DRAWING TITLE:	B-4R_BASS_AMP	
DRAWING TYPE:	SCHEMATIC	
DRAWING NO.:	07S442-XX	
DRAWING SIZE:	D	
CLASS CODE:		
SCALE:	NONE	
SHEET:	SHT 1 OF 9	



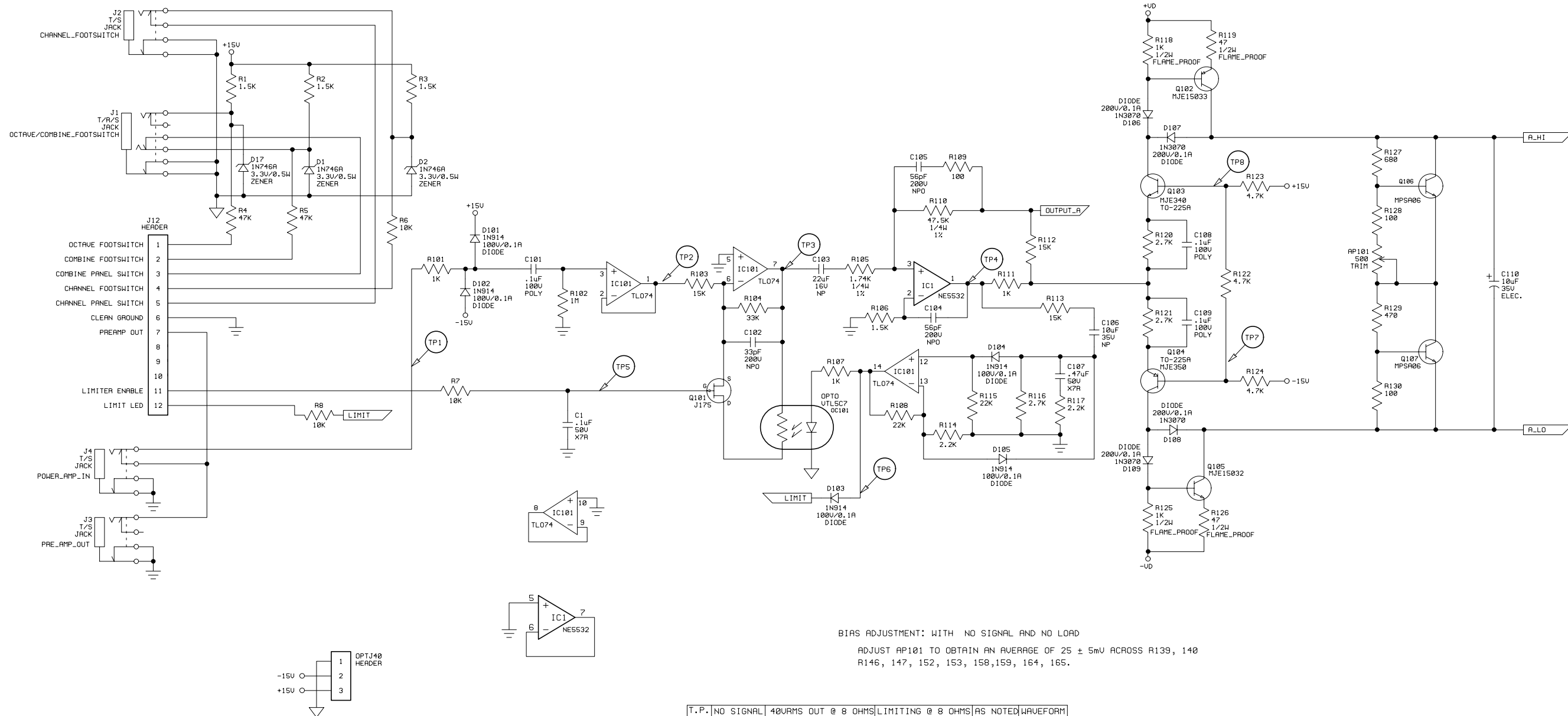
NOTES:
 1) THIS UNIT CONTAINS HAZARDOUS VOLTAGE. DISCONNECT POWER AND BE SURE POWER SUPPLY IS DISCHARGED BEFORE TOUCHING INTERNAL PARTS.
 2) UNLESS NOTED, RESISTOR VALUES IN OHMS, 1/4W-5% TOL. CAPACITOR VALUES IN MICROFARADS, 50V-10% TOL.
 3) VOLTAGES ARE MEASURED WITH 1 MEGOHM OSCILLOSCOPE AND 10 MEGOHM DIGITAL VOLTMETER.
 4) IF REQUIRED FOR CHASSIS ASSY.

CAUTION:
 THIS SCHEMATIC IS PROVIDED FOR USE BY QUALIFIED PERSONNEL. TO AVOID RISK OF ELECTRIC SHOCK, REFER SERVICING TO QUALIFIED SERVICE PERSONNEL. DO NOT PERFORM ANY SERVICING BEYOND THAT EXPLAINED IN THE OPERATING INSTRUCTIONS.

TP	NO SIGNAL	40Vrms OUT @ 8 OHMS	LIMITING @ 8 OHMS	AS NOTED	WAVEFORM
13	VARIES w/TEMP	Varies w/TEMP.	Varies w/TEMP.		—
14	61Vac	51Vac	51Vac		~
15	61Vac	51Vac	51Vac		~
16	+14Vdc	-4.6Vdc	-4.6Vdc		—
17	+14.4Vdc	+14.4Vdc	+14.4Vdc		—
18	20Vac	19Vac	19Vac		~
19	20Vac	19Vac	19Vac		~
20	+71Vdc	+64.5Vdc	+64.5Vdc		~
21	+63Vdc	+59Vdc	+59Vdc		~
22	-63Vdc	-59Vdc	-59Vdc		~
23	-71Vdc	-64.5Vdc	-64.5Vdc		~
24	+6Vdc	+5.73Vdc	+5.73Vdc		—
25	NOT USED				—
26	+15Vdc	+15Vdc	+15Vdc		—
27	-15Vdc	-15Vdc	-15Vdc		—
28	+14.3Vdc	+14.3Vdc	+14.3Vdc		—

SHEETS 1, 2 & 3 OF THIS DRAWING REPRESENT ASSY P/N 07-442-03

REV:	DATE:	DESCRIPTION	ECR/ECH NO:	CHG'D BY:	APP'D BY:	DATE:
THIS INFORMATION CONTAINED ON THIS DRAWING IS PROPRIETARY TO ST. LOUIS MUSIC, INC.						
SIGNATURES:		DATE:		11888 Borman Dr. St. Louis, Missouri 63146		
DRAWN: REM			6-25-98		FIRST USED ON: B-4R_BASS_AMP	
CHK'D:					DRAWING TITLE: POWER_AMP	
CLS'D:					DRAWING NO.: 07S442-XX	
TOLERANCES:	DRAWING SIZE: D		DRAWING TYPE: - SCHEMATIC		SCALE: NONE	
		CLASS CODE:		SHEET: 3 OF 9		



BIAS ADJUSTMENT: WITH NO SIGNAL AND NO LOAD
 ADJUST AP101 TO OBTAIN AN AVERAGE OF 25 ± 5mV ACROSS R139, 140
 R146, 147, 152, 153, 158, 159, 164, 165.

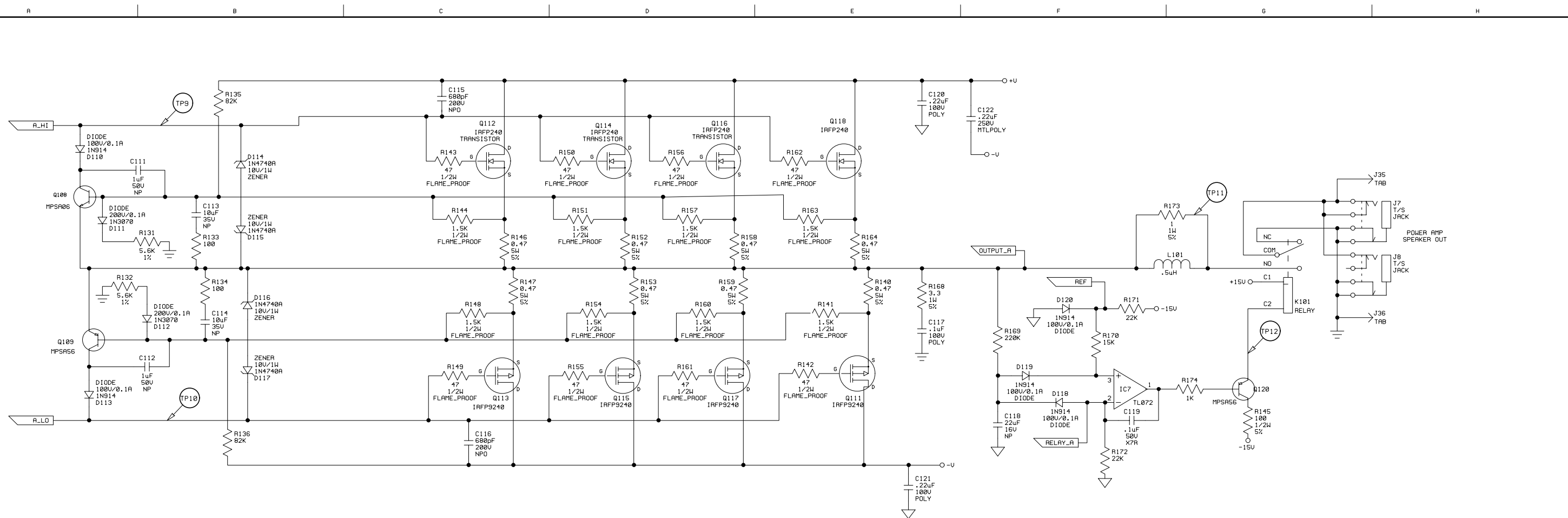
T.P.	NO SIGNAL	40URMS OUT @ 8 OHMS	LIMITING @ 8 OHMS AS NOTED	WAVEFORM
* 1	—	0.68Urms	0.79Urms	~
* 2	—	0.68Urms	0.79Urms	~
3	+/-20mUdc	1.5U	1.5U	~
4	+/-1Udc	2.6Udc	2.6Udc	AS SHOWN PER COLUMN
5	+7mUdc	1.9mU	2.7mU	—
6	+5Udc	+4.82Udc	+4.82Udc	—
7	-5Udc	-5.12Udc	-5.12Udc	—
8	0U	+43.6mUdc	+74mUdc	~

NOTES:
 1) THIS UNIT CONTAINS HAZARDOUS VOLTAGE. DISCONNECT POWER AND BE SURE POWER SUPPLY IS DISCHARGED BEFORE TOUCHING INTERNAL PARTS.
 2) UNLESS NOTED, RESISTOR VALUES IN OHMS, 1/4W-5% TOL. CAPACITOR VALUES IN MICROFARADS, 50V-10% TOL.
 3) VOLTAGES ARE MEASURED WITH 1 MEGOHM OSCILLOSCOPE AND 10 MEGOHM DIGITAL VOLTMETER.

CAUTION:
 THIS SCHEMATIC IS PROVIDED FOR USE BY QUALIFIED PERSONNEL. TO AVOID RISK OF ELECTRIC SHOCK, REFER SERVICING TO QUALIFIED SERVICE PERSONNEL. DO NOT PERFORM ANY SERVICING BEYOND THAT EXPLAINED IN THE OPERATING INSTRUCTIONS.

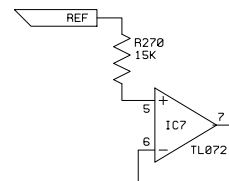
SHEETS 4, 5 & 6 OF THIS DRAWING REPRESENTS
 ASSY P/N 07-442-11

4	SEE_SHT_1_FOR_REV_HISTORY				
REV:	DATE:	DESCRIPTION	ECR/ECN NO:	CHG'D BY:	APP'D BY:
THIS INFORMATION CONTAINED ON THIS DRAWING IS PROPRIETARY TO ST. LOUIS MUSIC, INC.					
SIGNATURES:		DATE:	11888 Bowman Dr. St. Louis, Missouri 63146		
DRAWN:	REM	6-25-98			
CHK'D:			FIRST USED ON: B-4R_BASS_AMP		
RLS'D:			DRAWING TITLE: POWER_AMP		
TOLERANCES:		DRAWING SIZE: D SCHEMATIC	DRAWING NO.:		
		DRAWING TYPE: -	07S442-XX		
		CLASS CODE:			
		SCALE: NONE	SHEET: SHT 4 OF 9		



BIAS ADJUSTMENT: WITH NO SIGNAL AND NO LOAD
 ADJUST AP101 TO OBTAIN AN AVERAGE OF $25 \pm 5\mu\text{V}$ ACROSS R139, 140
 R146, 147, 152, 153, 158, 159, 164, 165.

T.P.	NO SIGNAL	40VRMS OUT @ 8 OHMS	LIMITING @ 8 OHMS	AS NOTED	WAVEFORM
9	+3.6Vdc	40Urms	41Urms		~
10	-3.5Vdc	40Urms	41Urms		~
11	7.2mVdc	40Urms	41Urms		~
12	-11.52Vdc	-11.8Vdc	-11.8Vdc		—

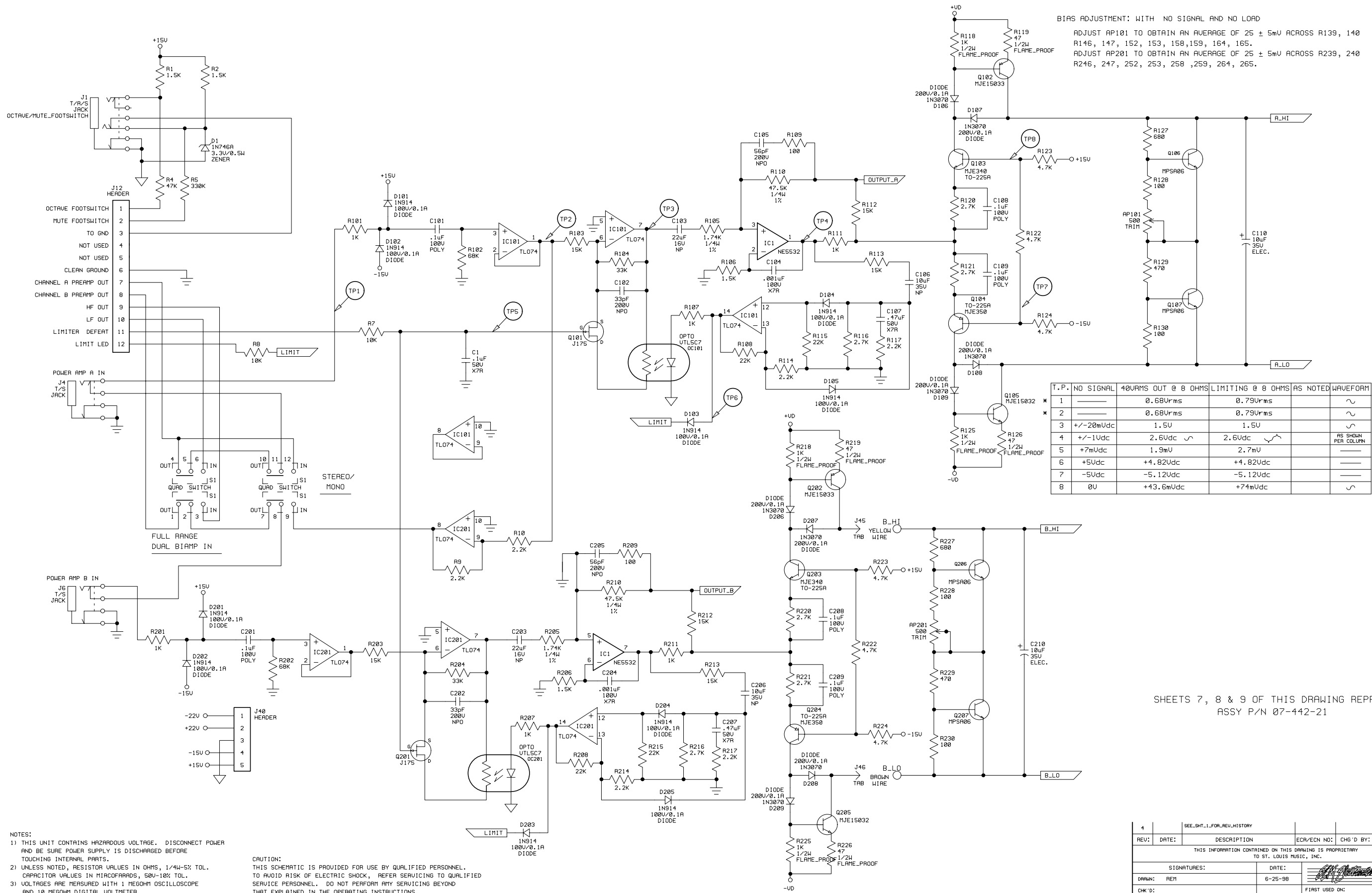


- NOTES:
- THIS UNIT CONTAINS HAZARDOUS VOLTAGE. DISCONNECT POWER AND BE SURE POWER SUPPLY IS DISCHARGED BEFORE TOUCHING INTERNAL PARTS.
 - UNLESS NOTED, RESISTOR VALUES IN OHMS, 1/4W-5% TOL. CAPACITOR VALUES IN MICROFARADS, 50V-10% TOL.
 - VOLTAGES ARE MEASURED WITH 1 MEGOHM OSCILLOSCOPE AND 10 MEGOHM DIGITAL VOLTMETER.

CAUTION:
 THIS SCHEMATIC IS PROVIDED FOR USE BY QUALIFIED PERSONNEL.
 TO AVOID RISK OF ELECTRIC SHOCK, REFER SERVICING TO QUALIFIED SERVICE PERSONNEL. DO NOT PERFORM ANY SERVICING BEYOND THAT EXPLAINED IN THE OPERATING INSTRUCTIONS.

SHEETS 4, 5 & 6 OF THIS DRAWING REPRESENTS
 ASSY P/N 07-442-11

REV:	DATE:	DESCRIPTION:	ECR/ECN NO.:	CHG'D BY:	APP'D BY:	DATE:
THIS INFORMATION CONTAINED ON THIS DRAWING IS PROPRIETARY TO ST. LOUIS MUSIC, INC.						
SIGNATURES:		DATE:	11800 Borman Dr. St. Louis, Missouri 63146			
DRAWN: REM		6-25-98	FIRST USED ON: B-4R_BASS_AMP			
CHK'D:			DRAWING TITLE: POWER_AMP			
RLS'D:			DRAWING NO.: 07S442-XX			
TOLERANCES:	DRAWING SIZE: D	DRAWING TITLE: POWER_AMP		DRAWING NO.: 07S442-XX		
	DRAWING TYPE: - SCHEMATIC					
	CLASS CODE:					
SCALE: NONE	SHEET: 5 OF 9					



BIAS ADJUSTMENT: WITH NO SIGNAL AND NO LOAD
 ADJUST AP101 TO OBTAIN AN AVERAGE OF 25 ± 5mV ACROSS R139, 140
 R146, 147, 152, 153, 158, 159, 164, 165.
 ADJUST AP201 TO OBTAIN AN AVERAGE OF 25 ± 5mV ACROSS R239, 240
 R246, 247, 252, 253, 258, 259, 264, 265.

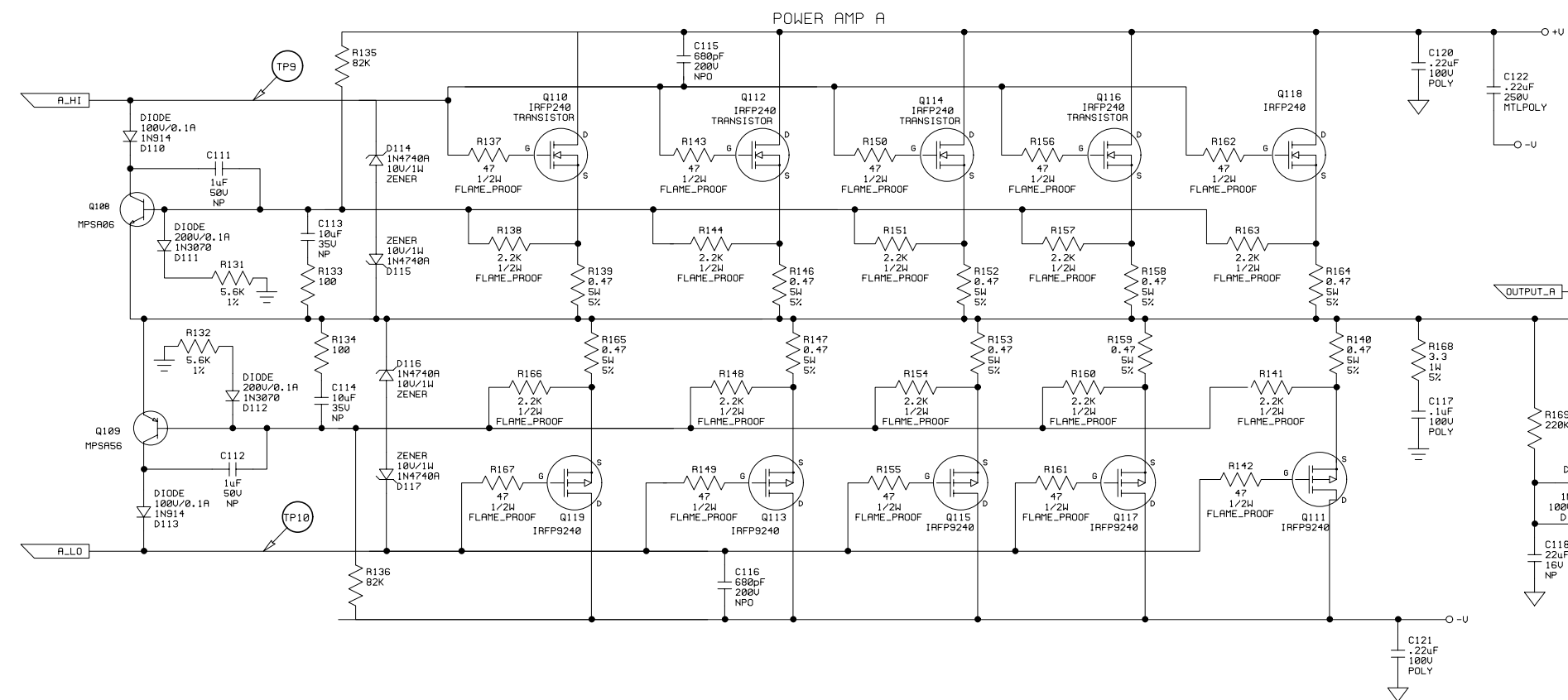
T.P.	NO SIGNAL	40VRMS OUT @ 8 OHMS	LIMITING @ 8 OHMS AS NOTED	WAVEFORM
1		0.68Vrms	0.79Vrms	~
2		0.68Vrms	0.79Vrms	~
3	+/-20mVdc	1.5V	1.5V	~
4	+/-1Vdc	2.6Vdc	2.6Vdc	AS SHOWN PER COLUMN
5	+7mVdc	1.9mV	2.7mV	~
6	+5Vdc	+4.82Vdc	+4.82Vdc	~
7	-5Vdc	-5.12Vdc	-5.12Vdc	~
8	0V	+43.6mVdc	+74mVdc	~

SHEETS 7, 8 & 9 OF THIS DRAWING REPRESENT
 ASSY P/N 07-442-21

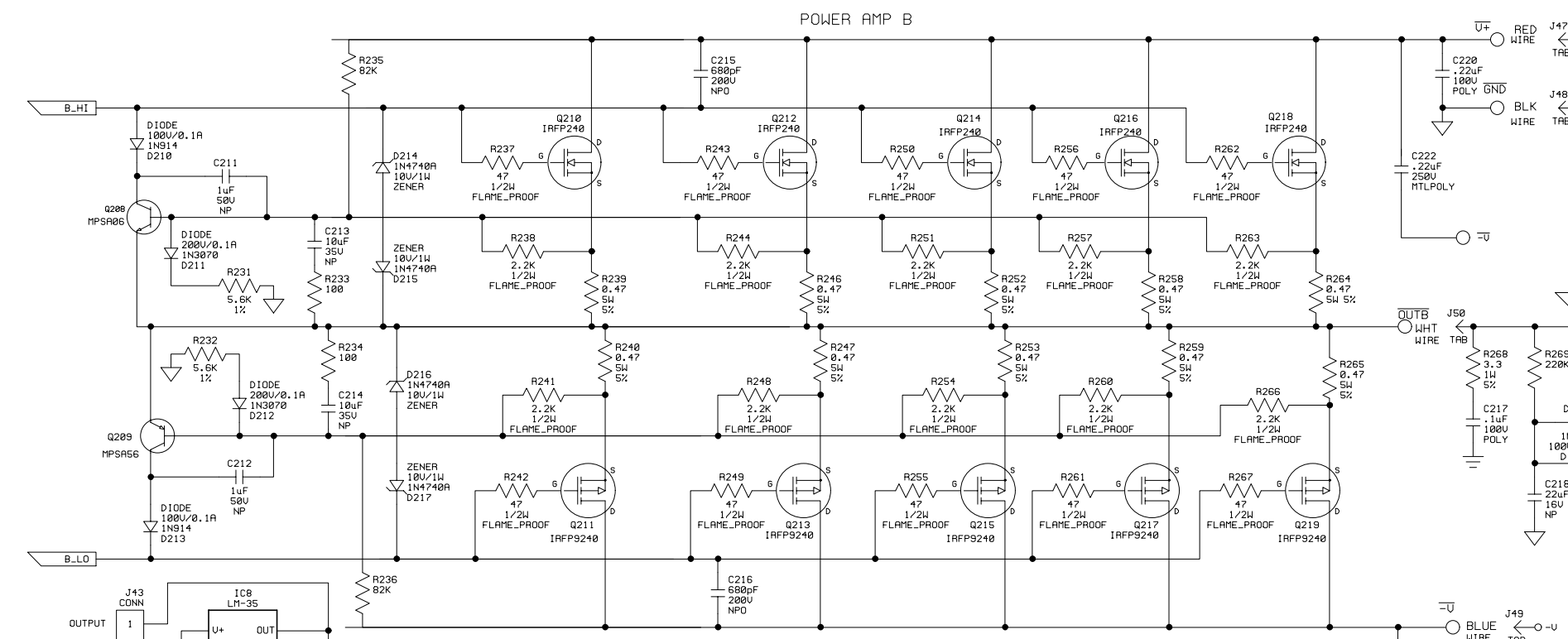
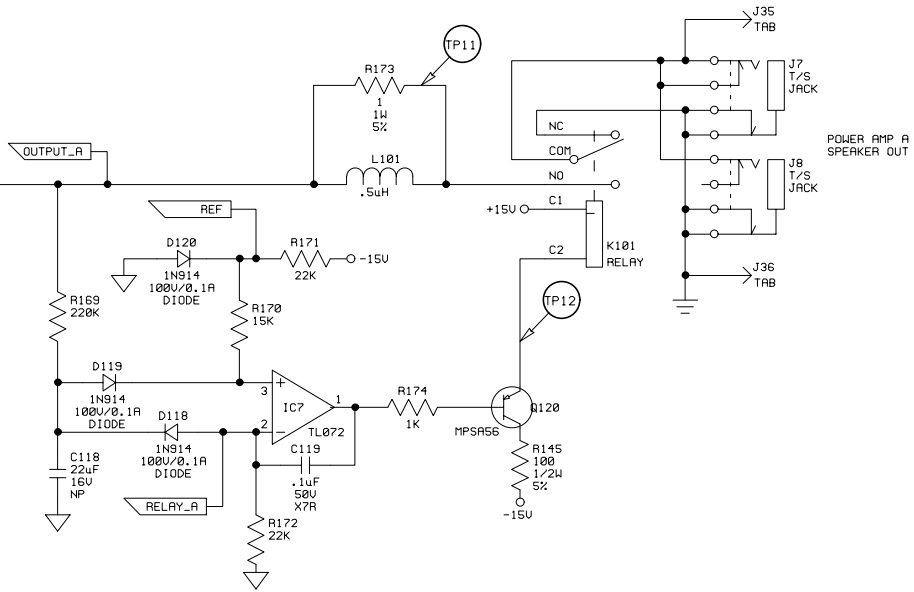
NOTES:
 1) THIS UNIT CONTAINS HAZARDOUS VOLTAGE. DISCONNECT POWER AND BE SURE POWER SUPPLY IS DISCHARGED BEFORE TOUCHING INTERNAL PARTS.
 2) UNLESS NOTED, RESISTOR VALUES IN OHMS, 1/4W-5% TOL. CAPACITOR VALUES IN MICROFARADS, 50V-10% TOL.
 3) VOLTAGES ARE MEASURED WITH 1 MEGOHM OSCILLOSCOPE AND 10 MEGOHM DIGITAL VOLTMETER.

CAUTION:
 THIS SCHEMATIC IS PROVIDED FOR USE BY QUALIFIED PERSONNEL. TO AVOID RISK OF ELECTRIC SHOCK, REFER SERVICING TO QUALIFIED SERVICE PERSONNEL. DO NOT PERFORM ANY SERVICING BEYOND THAT EXPLAINED IN THE OPERATING INSTRUCTIONS.

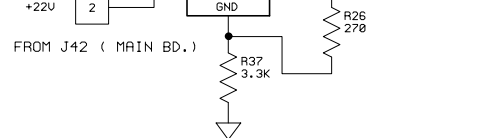
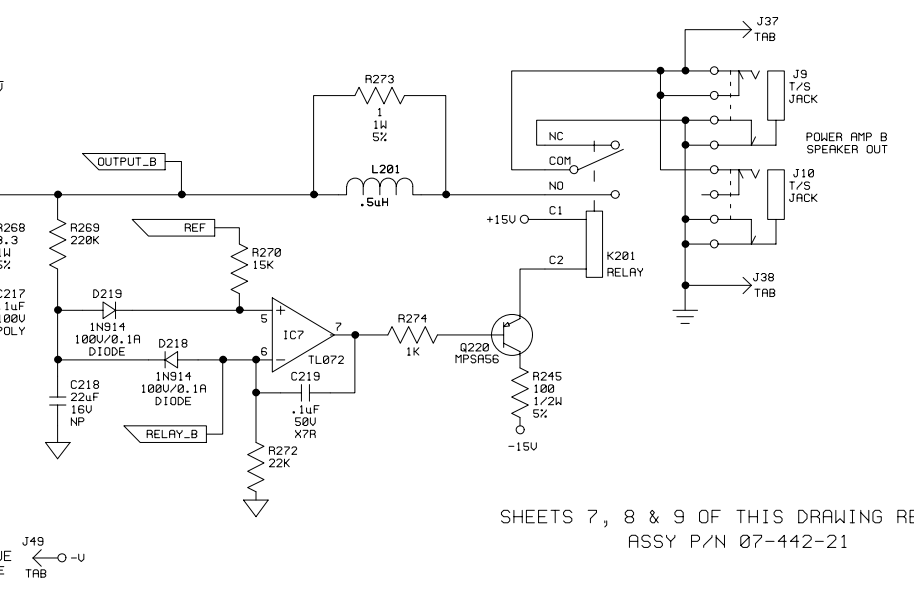
4		SEE_SHT_1_FOR_REV_HISTORY			
REV:	DATE:	DESCRIPTION	ECR/ECH NO:	CHG'D BY:	APP'D BY: DATE:
THIS INFORMATION CONTAINED ON THIS DRAWING IS PROPRIETARY TO ST. LOUIS MUSIC, INC.					
SIGNATURES:		DATE:		11888 Bowman Dr. St. Louis, Missouri 63146	
DRAWN:	REP	6-25-98		FIRST USED ON: B-4R_BASS_LAMP	
CHK'D:	DRAWING TITLE: POWER_LAMP				
RS'D:	DRAWING NO.: 07S442-XX				
TOLERANCES:	DRAWING SIZE: D		DRAWING TYPE: SCHEMATIC		
CLASS CODE:	SCALE: NONE				
SHEET:	SHT 7 OF 9				



T.P.	NO SIGNAL	40Vrms OUT @ 8 OHMS	LIMITING @ 8 OHMS	AS NOTED	WAVEFORM
9	+3.6Vdc	40Vrms	41Vrms		~
10	-3.5Vdc	40Vrms	41Vrms		~
11	7.2mVdc	40Vrms	41Vrms		~
12	-11.52Vdc	-11.8Vdc	-11.8Vdc		~



BIAS ADJUSTMENT: WITH NO SIGNAL AND NO LOAD
 ADJUST AP101 TO OBTAIN AN AVERAGE OF 25 ± 5mV ACROSS R139, 140, R146, 147, 152, 153, 158, 159, 164, 165.
 ADJUST AP201 TO OBTAIN AN AVERAGE OF 25 ± 5mV ACROSS R239, 240, R246, 247, 252, 253, 258, 259, 264, 265.

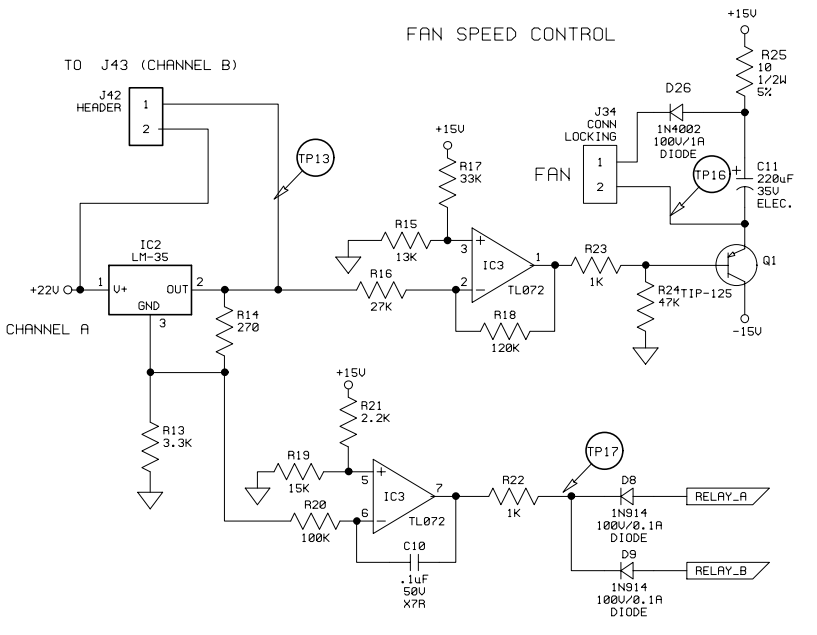
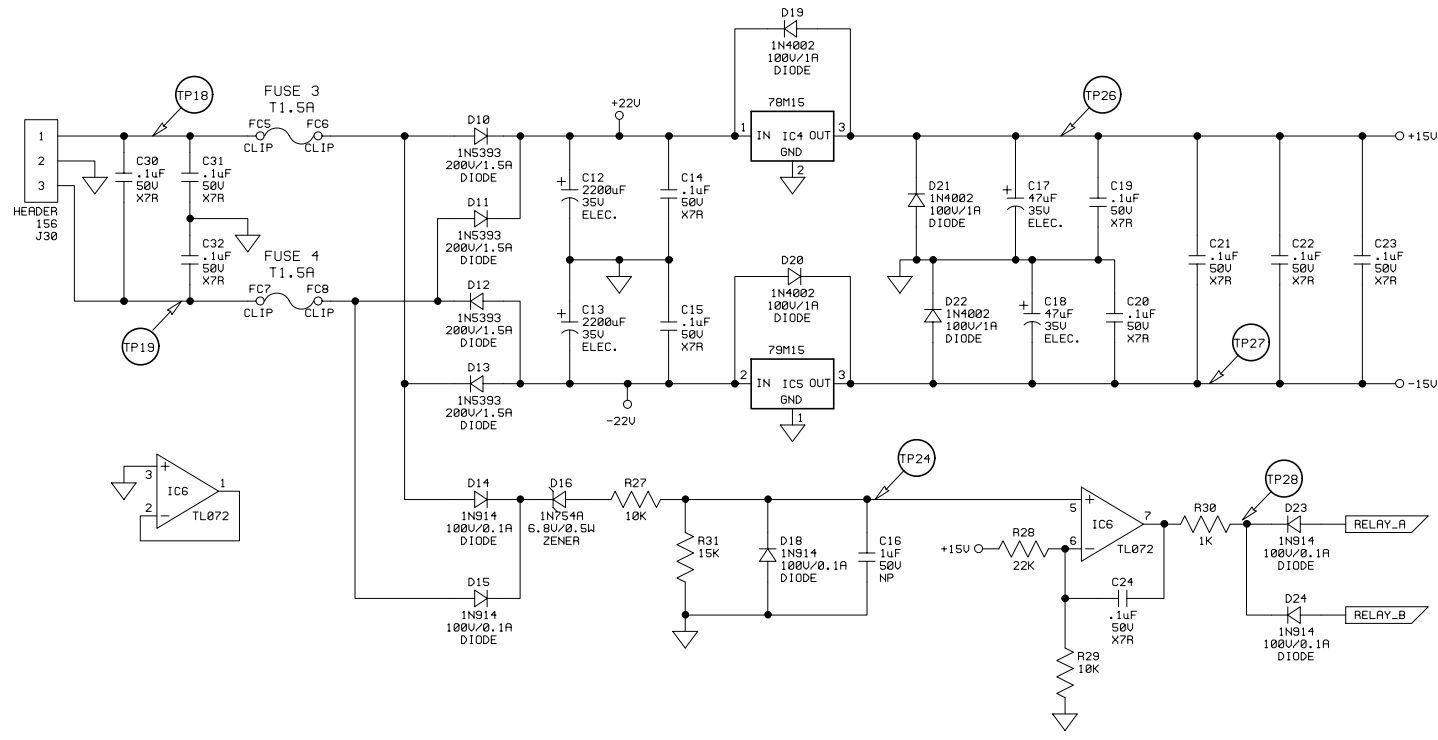
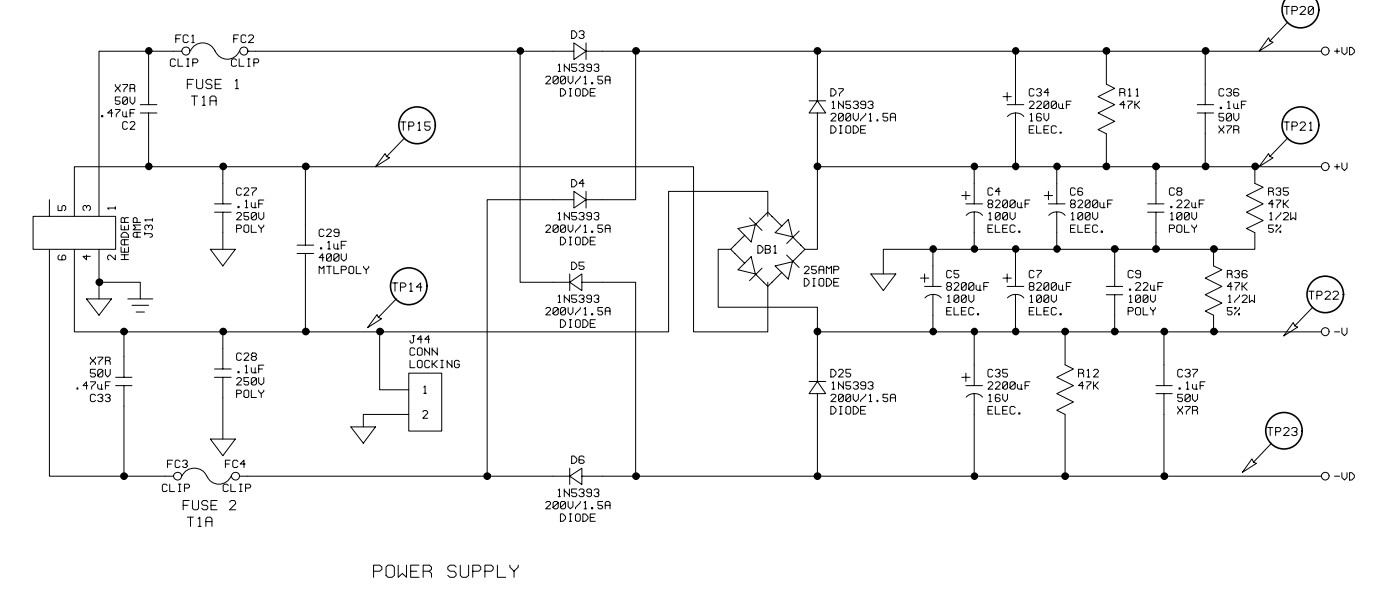
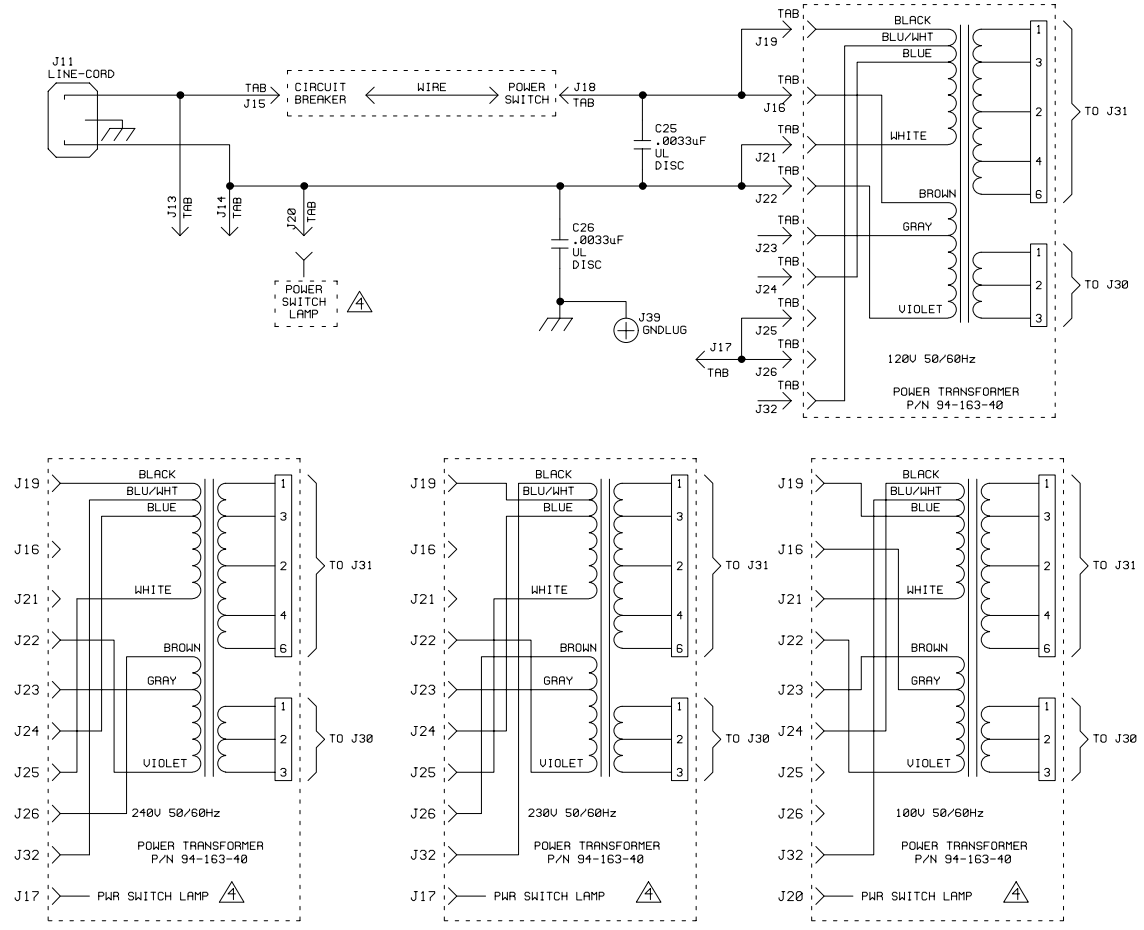


NOTES:
 1) THIS UNIT CONTAINS HAZARDOUS VOLTAGE. DISCONNECT POWER AND BE SURE POWER SUPPLY IS DISCHARGED BEFORE TOUCHING INTERNAL PARTS.
 2) UNLESS NOTED, RESISTOR VALUES IN OHMS, 1/4W-5% TOL. CAPACITOR VALUES IN MICROFARADS, 50V-10% TOL.
 3) VOLTAGES ARE MEASURED WITH 1 MEGOHM OSCILLOSCOPE AND 10 MEGOHM DIGITAL VOLTMETER.

CAUTION:
 THIS SCHEMATIC IS PROVIDED FOR USE BY QUALIFIED PERSONNEL. TO AVOID RISK OF ELECTRIC SHOCK, REFER SERVICING TO QUALIFIED SERVICE PERSONNEL. DO NOT PERFORM ANY SERVICING BEYOND THAT EXPLAINED IN THE OPERATING INSTRUCTIONS.

SHEETS 7, 8 & 9 OF THIS DRAWING REPRESENT ASSY P/N 07-442-21

REV.	DATE:	DESCRIPTION	ECR/ECH NO:	CHG'D BY:	APP'D BY:	DATE:
4		SEE_SHT_1_FOR_REV_HISTORY				
THIS INFORMATION CONTAINED ON THIS DRAWING IS PROPRIETARY TO ST. LOUIS MUSIC, INC.						
SIGNATURES:		DATE:		11880 Bowman Dr. St. Louis, Missouri 63146		
DRAWN:	REM	6-25-98		FIRST USED ON: B-4R_BASS_AMP		
CHK'D:				DRAWING TITLE: POWER_AMP		
CLS'D:				DRAWING NO.: 07S442-XX		
TOLERANCES:	DRAWING SIZE: D		DRAWING TYPE: SCHEMATIC			
	CLASS CODE:		SCALE: NONE			
	SHEET: 8 OF 9					



NOTES:
 1) THIS UNIT CONTAINS HAZARDOUS VOLTAGE. DISCONNECT POWER AND BE SURE POWER SUPPLY IS DISCHARGED BEFORE TOUCHING INTERNAL PARTS.
 2) UNLESS NOTED, RESISTOR VALUES IN OHMS, 1/4W-5% TOL. CAPACITOR VALUES IN MICROFARADS, 50V-10% TOL.
 3) VOLTAGES ARE MEASURED WITH 1 MEGOHM OSCILLOSCOPE AND 10 MEGOHM DIGITAL VOLTMETER.
 4) IF REQUIRED FOR CHASSIS ASSY.

CAUTION:
 THIS SCHEMATIC IS PROVIDED FOR USE BY QUALIFIED PERSONNEL. TO AVOID RISK OF ELECTRIC SHOCK, REFER SERVICING TO QUALIFIED SERVICE PERSONNEL. DO NOT PERFORM ANY SERVICING BEYOND THAT EXPLAINED IN THE OPERATING INSTRUCTIONS.

TP	NO SIGNAL	40VRMS OUT @ 8 OHMS	LIMITING @ 8 OHMS AS NOTED	WAVEFORM
13	VARIES w/TEMP	Varies w/temp.	Varies w/temp.	—
14	61Vac	51Vac	51Vac	~
15	61Vac	51Vac	51Vac	~
16	+14Vdc	-4.6Vdc	-4.6Vdc	—
17	+14.4Vdc	+14.4Vdc	+14.4Vdc	—
18	20Vac	19Vac	19Vac	~
19	20Vac	19Vac	19Vac	~
20	+71Vdc	+64.5Vdc	+64.5Vdc	~
21	+63Vdc	+59Vdc	+59Vdc	~
22	-63Vdc	-59Vdc	-59Vdc	~
23	-71Vdc	-64.5Vdc	-64.5Vdc	~
24	+6Vdc	+5.73Vdc	+5.73Vdc	—
25	NOT USED	—	—	—
26	+15Vdc	+15Vdc	+15Vdc	—
27	-15Vdc	-15Vdc	-15Vdc	—
28	+14.3Vdc	+14.3Vdc	+14.3Vdc	—

SHEETS 7, 8 & 9 OF THIS DRAWING REPRESENT ASSY P/N 07-442-21

REV:	DATE:	DESCRIPTION:	ECR/ECN NO:	CHG'D BY:	APP'D BY:	DATE:
THIS INFORMATION CONTAINED ON THIS DRAWING IS PROPRIETARY TO ST. LOUIS MUSIC, INC.						
SIGNATURES:		DATE:		11888 Bowman Dr. St. Louis, Missouri 63146		
DRAWN: REM		6-25-98		FIRST USED ON: B-4R_BASS_AMP		
TOLERANCES:		DRAWING SIZE: D		DRAWING TITLE: POWER_AMP		
		DRAWING TYPE: - SCHEMATIC		DRAWING NO.: 07S442-XX		
		CLASS CODE:				
		SCALE: NONE		SHEET: SHT 9 OF 9		