

RefDes	Value	+16V	+10V
IC1	4	8	
IC2	4	8	
U3	4	8	
U4	4	8	
U5	4	8	

D18 & D19 * DO NOT INSTALL* FOR THIS VERSION 07-263-01 ASSY.

ASSY PN 07-263-01

CAUTION: THIS SCHEMATIC IS PROVIDED FOR USE BY QUALIFIED PERSONNEL TO AVOID RISK OF ELECTRIC SHOCK. REFER SERVICING TO QUALIFIED SERVICE PERSONNEL. DO NOT PERFORM ANY SERVICING BEYOND THAT EXPLAINED IN THE OPERATING INSTRUCTIONS.

NOTES:

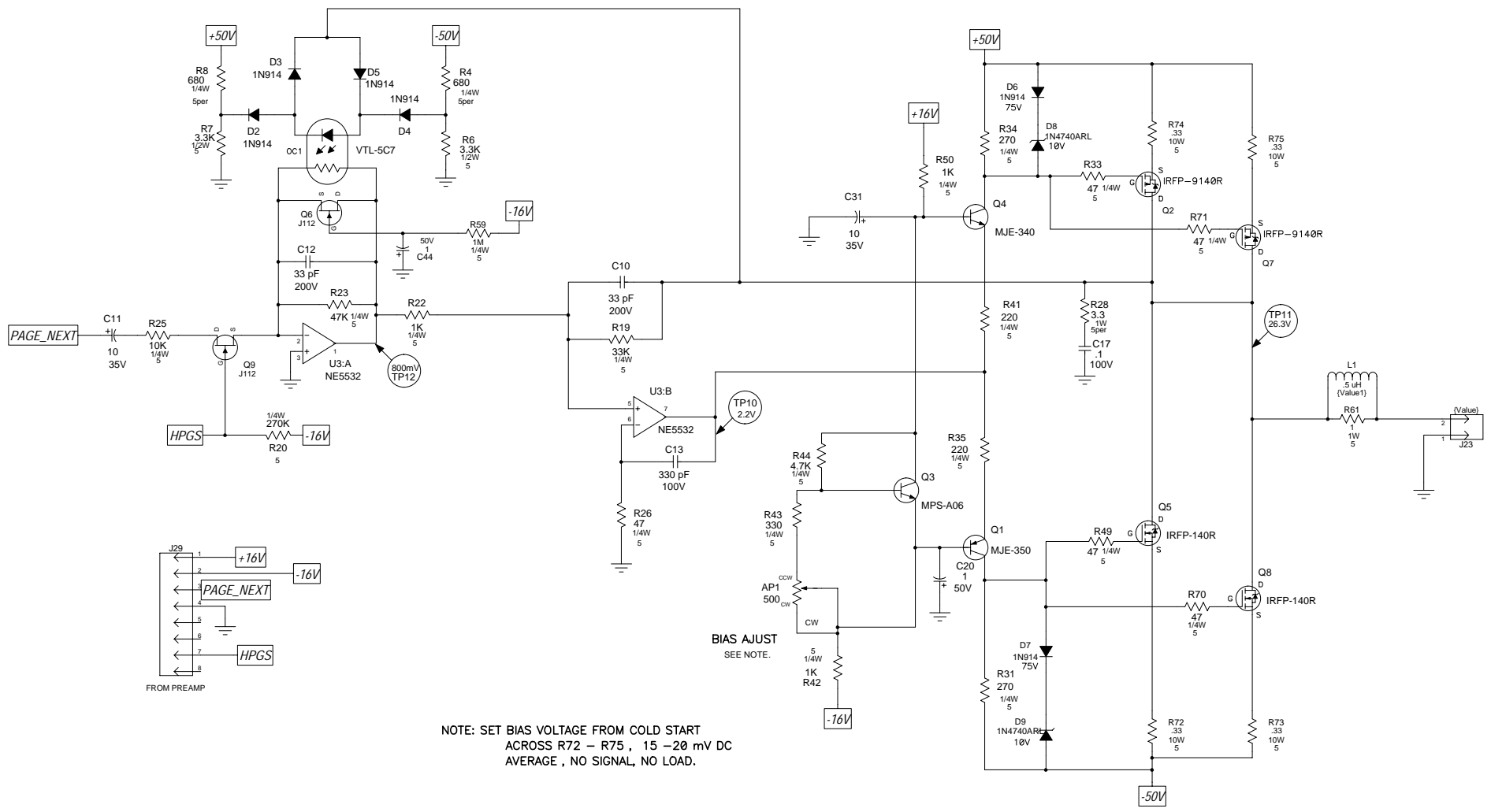
- 1) CAUTION: SHOCK HAZARD!! THIS UNIT CONTAINS HAZARDOUS VOLTAGE. DISCONNECT POWER AND BE SURE POWER SUPPLY IS DISCHARGED BEFORE TOUCHING INTERNAL PARTS.
- 2) UNLESS NOTED, RESISTOR VALUES IN OHMS, 1/4W-5% TOL. CAPACITOR VALUES IN MICROFARADS, 50V-10% TOL.
- 3) VOLTAGES ARE MEASURED WITH 1 MEGOHM OSCILLOSCOPE AND 10 MEGOHM DIGITAL VOLTMETER.

Rev	Date	DESCRIPTION	Err(s)/Errn(s)	Chgd By	Appvd by	Date
0	2/26/01	CONTROL ISSUE				
B	12/12/00	R4 & R8 VALUE TO 480 OHM	R00521		REM	
A	10/19/00	INITIAL ISSUE				

THE INFORMATION CONTAINED ON THIS DRAWING IS PROPRIETARY TO ST. LOUIS MUSIC, INC.

Signatures: _____ Date: _____
 Drawn: CK 4/18/00 11880 Borman Drive, St. Louis, MO 63146
 Checked: - - First Used On: _____
 Released: _____

Proj Date: Tue Feb 27, 2001 Drawing Size: D Drawing Title: SCHEMATIC - BASS AMP
 Plot Time: 07:37:43 Drawing Type: Schematic Class Code: NONE Drawing Number: 07S263-XX
 Tolerance: _____ Sheet 1 of 2



NOTE: SET BIAS VOLTAGE FROM COLD START ACROSS R72 - R75, 15 -20 mV DC AVERAGE, NO SIGNAL, NO LOAD.

TEST POINT CONDITIONS NOTE:
 1 KHz INPUT SINEWAVE 300Vrms @ 0 dB
 INPUT JACK. 120VAC LINE, VOLUME & LEVEL @ "10"
 TONES @ "5", DC VOLTAGES WITH NO SIGNAL APPLIED.

CAUTION:
 THIS SCHEMATIC IS PROVIDED FOR USE BY QUALIFIED PERSONNEL. TO AVOID RISK OF ELECTRIC SHOCK, REFER SERVICING TO QUALIFIED SERVICE PERSONNEL. DO NOT PERFORM ANY SERVICING BEYOND THAT EXPLAINED IN THE OPERATING INSTRUCTIONS.

- NOTES:
 1) CAUTION: SHOCK HAZARD!! THIS UNIT CONTAINS HAZARDOUS VOLTAGE. DISCONNECT POWER AND BE SURE POWER SUPPLY IS DISCHARGED BEFORE TOUCHING INTERNAL PARTS.
 2) UNLESS NOTED, RESISTOR VALUES IN OHMS, 1/4W-5% TOL. CAPACITOR VALUES IN MICROFARADS, 50V-10% TOL.
 3) VOLTAGES ARE MEASURED WITH 1 MEGOHM OSCILLOSCOPE AND 10 MEGOHM DIGITAL VOLTMETER.

TP1 THRU TP11
 AC Vrms

TP12 THRU TP15
 DC VOLTS p-p power supply RIPPLe voltages

0	2/26/01	CONTROL ISSUE	-	REM	
B	12/12/00	R4 & R8 VALUE TO 680 OHM	R00521	REM	
A	10/19/00	INITIAL ISSUE	-	-	
REV	Date	DESCRIPTION	Ecr(s)/Ecn(s)	Chgd By	Appvd by
THE INFORMATION CONTAINED ON THIS DRAWING IS PROPRIETARY TO ST. LOUIS MUSIC, INC.					
Signatures:		Date:			
Drawn:	OK	4/18/00			
Checked:	-	-	First Used On:		
Released:			BA210SPa		
Plot Date: Tue Feb 27, 2001	Drawing Size:	C		Drawing Title:	
Plot Time: 07:37:46	Drawing Type:	Schematic		SCHEMATIC -BASS AMP	
Tolerance:	Class Code:	NONE		Drawing Number:	
	Sheet	2 of 2		07S263-XX	