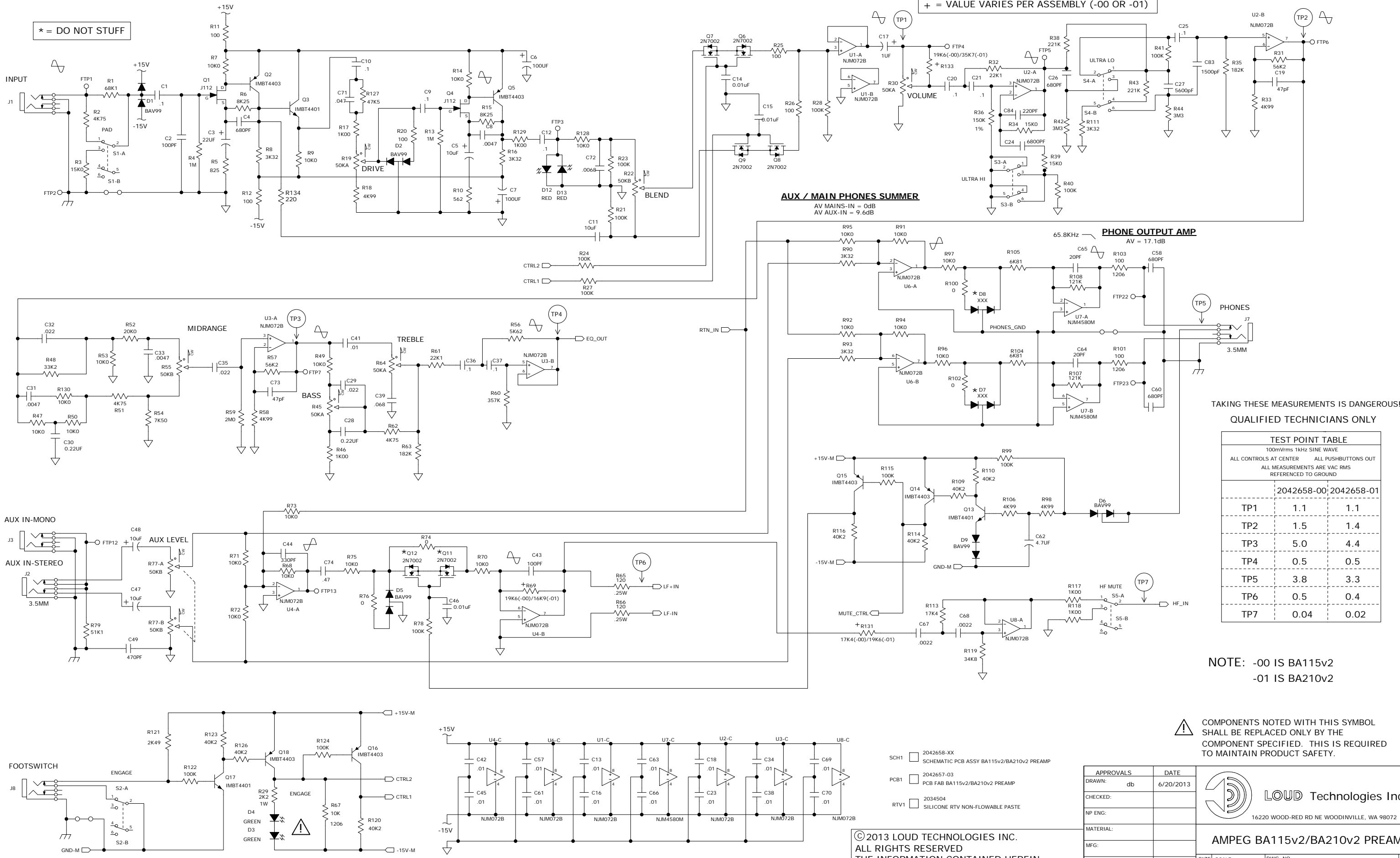


* = DO NOT STUFF

+ = VALUE VARIES PER ASSEMBLY (-00 OR -01)



TAKING THESE MEASUREMENTS IS DANGEROUS!!!
QUALIFIED TECHNICIANS ONLY

TEST POINT TABLE		
100mVrms 1kHz SINE WAVE		
ALL CONTROLS AT CENTER ALL PUSHBUTTONS OUT		
ALL MEASUREMENTS ARE VAC RMS REFERENCED TO GROUND		
TEST POINT	2042658-00	2042658-01
TP1	1.1	1.1
TP2	1.5	1.4
TP3	5.0	4.4
TP4	0.5	0.5
TP5	3.8	3.3
TP6	0.5	0.4
TP7	0.04	0.02

NOTE: -00 IS BA115v2
-01 IS BA210v2

⚠ COMPONENTS NOTED WITH THIS SYMBOL SHALL BE REPLACED ONLY BY THE COMPONENT SPECIFIED. THIS IS REQUIRED TO MAINTAIN PRODUCT SAFETY.

- SCH1 2042658-XX SCHEMATIC PCB ASSY BA115v2/BA210v2 PREAMP
- PCB1 2042657-03 PCB FAB BA115v2/BA210v2 PREAMP
- RTV1 2034504 SILICONE RTV NON-FLOWABLE PASTE

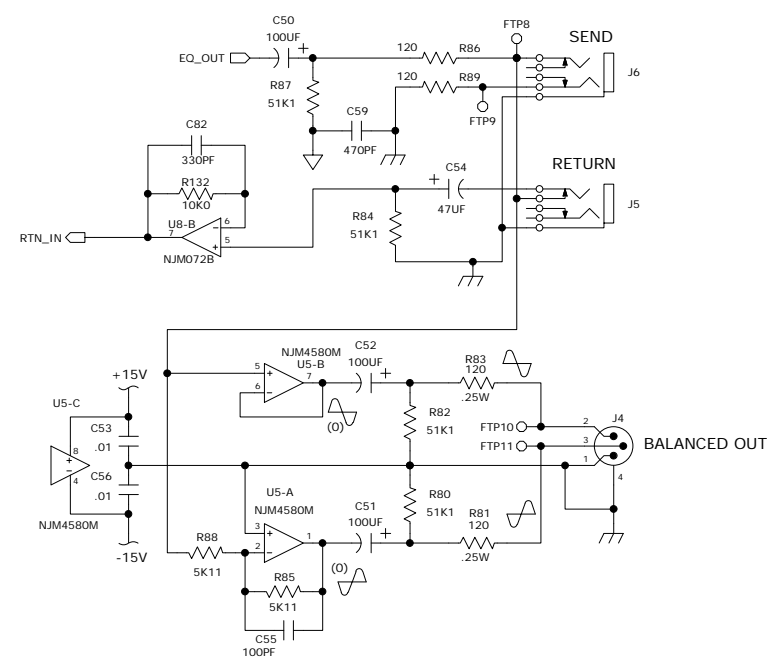
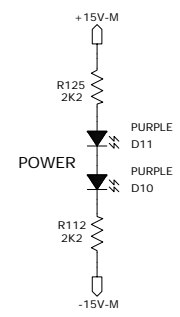
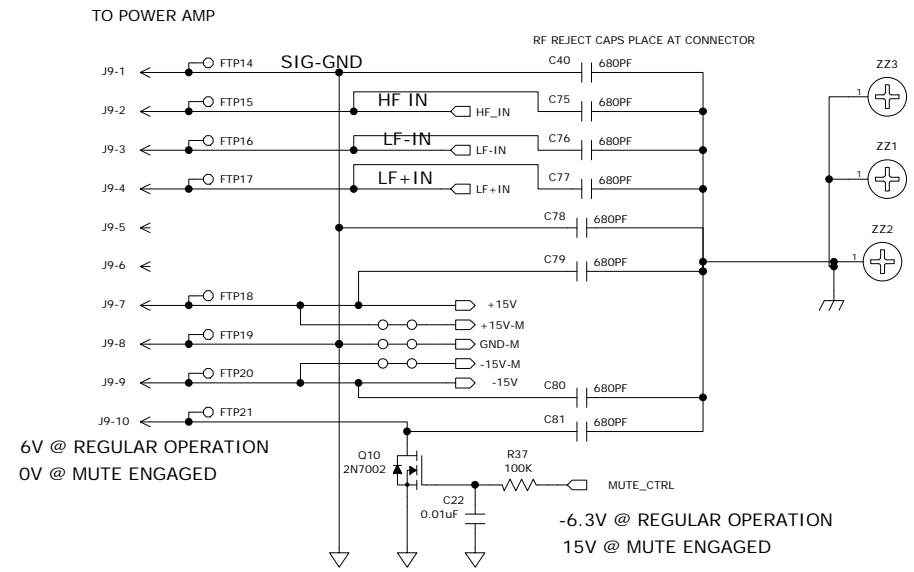
APPROVALS		DATE
DRAWN:	db	6/20/2013
CHECKED:		
NP ENG:		
MATERIAL:		
MFG:		
MFG ENG:		
ISSUED:		

16220 WOOD-RED RD NE WOODINVILLE, WA 98072

AMPEG BA115v2/BA210v2 PREAMP

SIZE	SCALE: NONE	DWG. NO.	REV.
D		2042658-XX	D01
DWG FILE: 2042658-XX-D01.sch		SHEET 1 OF 2	

© 2013 LOUD TECHNOLOGIES INC. ALL RIGHTS RESERVED
THE INFORMATION CONTAINED HEREIN IS PROPRIETARY AND CONFIDENTIAL PROPERTY OF LOUD TECHNOLOGIES INC.



AMPEG BA115v2/BA210v2 PREAMP
ETCETERA

SIZE D	SCALE NONE	DWG. NO. 2042658-XX	REV. D01
DWG FILE: 2042658-XX-D01.sch		SHEET 2 OF 2	