

MODEL NO. J-12
JULY 1961

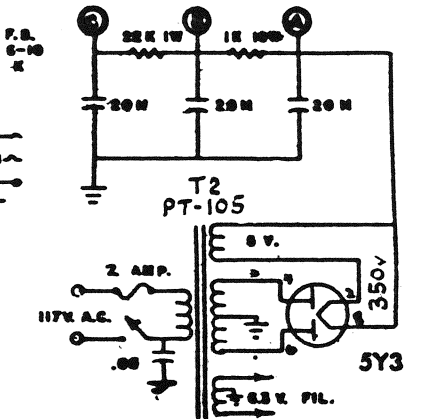
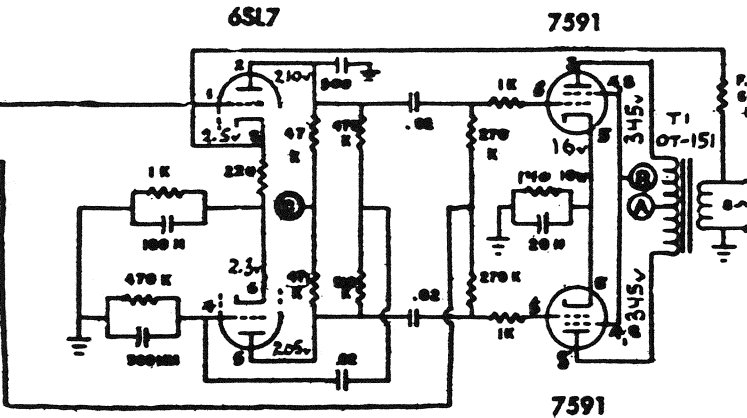
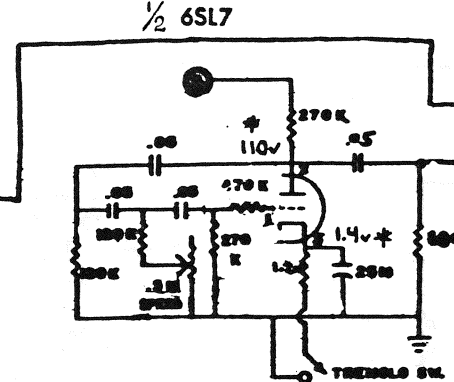
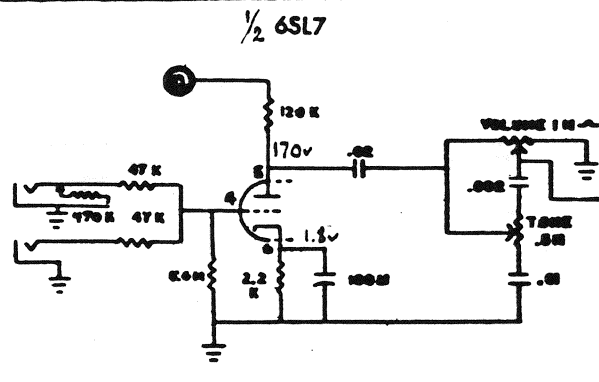
Tube Location (from left to right)
6SL7 6SL7 6V6 6V6 5Y3

VOLTAGE MEASUREMENTS

6V6	6SL7 PHASE INV.	6SL7 TREMOLO & 250MP
Ep - 310v	Fp2 - 140v	Fp2 - 210v
Ek - 300v	Ek1 - 1.6v	Ek3 - 1.2v
Ek - 19v	Ep5 - 135v	Ep5 - 140v
	Ek6 - 1.4v	Ek6 - 1.8v

the Ampeg
co., inc.

INDUSTRIAL PARK, LINDEN, N. J.
PHONE: 201 925-6700



MODEL NO. J-12-A

964

Tube Location (from left to right)
6SL7 6SL7 7591 7591 5Y3

* Voltage reading with oscillator operative

the Ampeg
co., inc.

INDUSTRIAL PARK, LINDEN, N. J.
PHONE: 201 925-6700