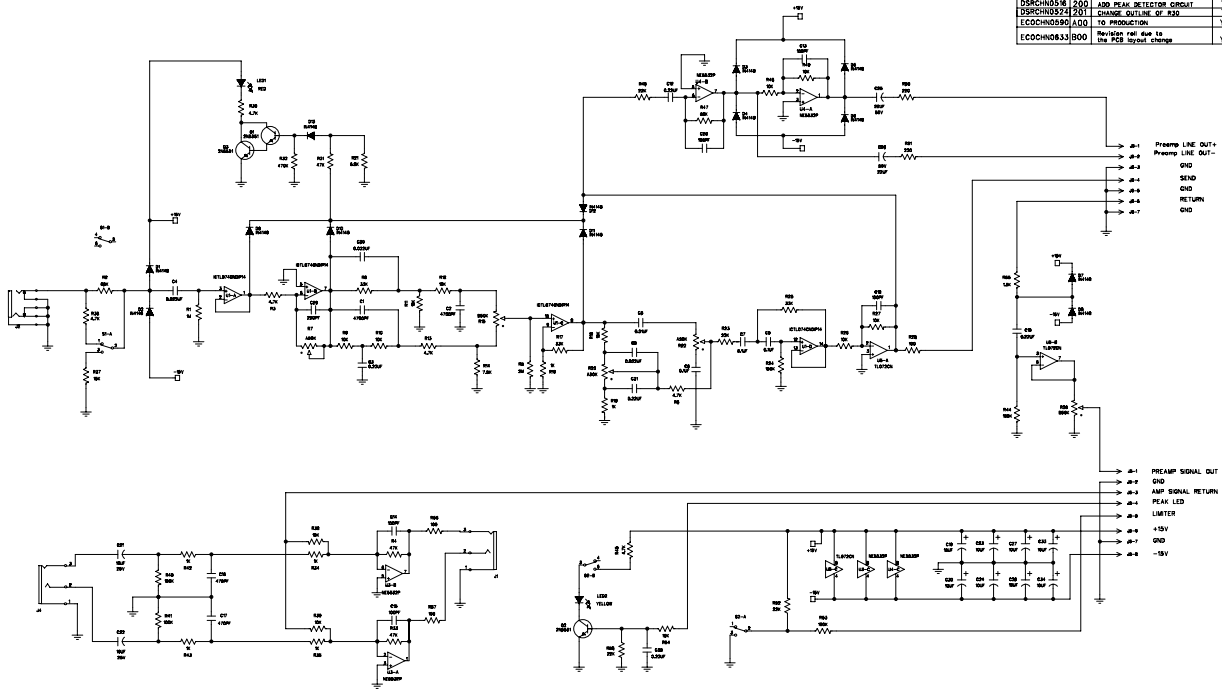


ECO/APP	REV.	DESCRIPTION	REV. BY	DATE
DSRCHN0408	100	RELEASE TO PROTOTYPE	YOUNG	JULY 1, 2008
DSRCHN0528	100	AMP PEAK DETECTOR CIRCUIT	YOUNG	AUG 18, 2008
DSRCHN0527	201	CHANGE OUTLINE OF PCB	YOUNG	AUG 20, 2008
ECCOCH0550	A00	TO PRODUCTION	YOUNG	OCT 6, 2008
ECCOCH0633	B00	Revision roll due to the PCB board change	YOUNG	Nov. 28, 2008




PREAMP LINE OUT+
 PREAMP LINE OUT-
 +A-1
 +A-2
 GND
 GND
 +A-4
 +A-5
 RETURN
 GND

+A-1 PREAMP SIGNAL OUT
 +A-2 GND
 +A-3 AMP SIGNAL RETURN
 +A-4 PEAK LED
 +A-5 LUSTER
 +A-6 +15V
 +A-7 GND
 +A-8 -5V

DESIGN OK
 PCB FOR THIS BOARD 1 OF 1000 PREAMP BOARD BY 1000 BY

APPROVALS	DATE
DRAWN: YOUNG	NOV. 28, 2008
CHECKED:	
MP ENG:	
MATERIAL:	
MFG:	
MFG ENGR:	
DESIGN:	


 TECHNOLOGIES INC. WOODINVILLE WA, USA
Ampeg Micro-VR PREAMP
 SIZE SCALE: NONE DWG. NO. 0031318-00
 REV. D B00
 DWG FILE SHEET 1 OF 1

©2006 LOUD TECHNOLOGIES INC.
 ALL RIGHTS RESERVED
 THE INFORMATION CONTAINED HEREIN
 IS PROPRIETARY AND CONFIDENTIAL
 PROPERTY OF LOUD TECHNOLOGIES INC.