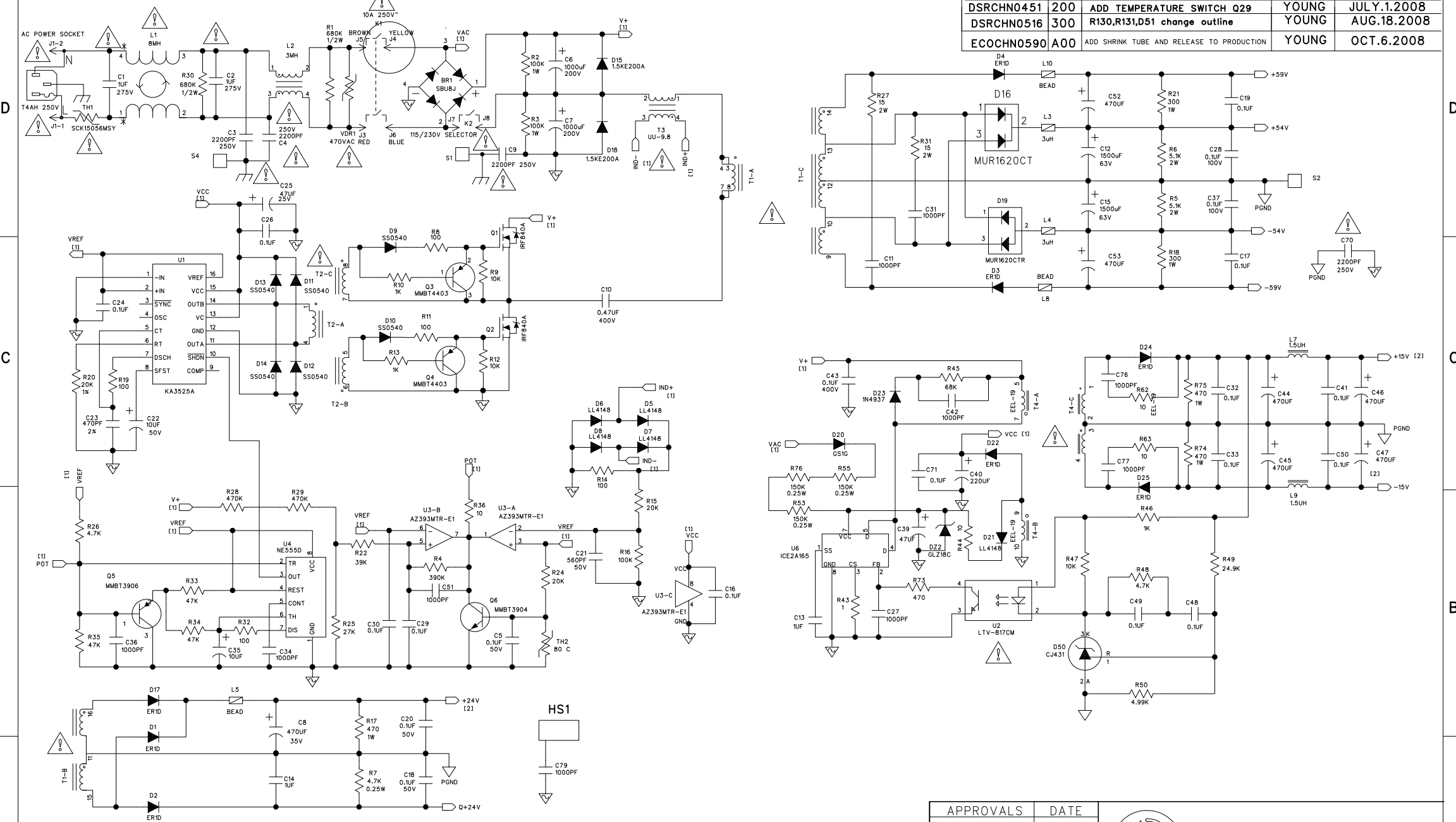


ECO/DSR	REV:	DESCRIPTION	REV. BY:	DATE
DSRCHN0451	200	ADD TEMPERATURE SWITCH Q29	YOUNG	JULY.1.2008
DSRCHN0516	300	R130,R131,D51 change outline	YOUNG	AUG.18.2008
ECOCHN0590	A00	ADD SHRINK TUBE AND RELEASE TO PRODUCTION	YOUNG	OCT.6.2008



- SCH1 0031322-XX SCHEMATIC PSU_AMP AMPEG MICRO-VR
- PCB1 0031323-00 PCB FAB FR4 DOUBLE 1 OZ 1.6MM PSL_AMP BOARD SVT MICRO VR
- FORC10 0032291 SHRINK TUBE 18X40MM
- FORC40 0032292 SHRINK TUBE 9X30MM

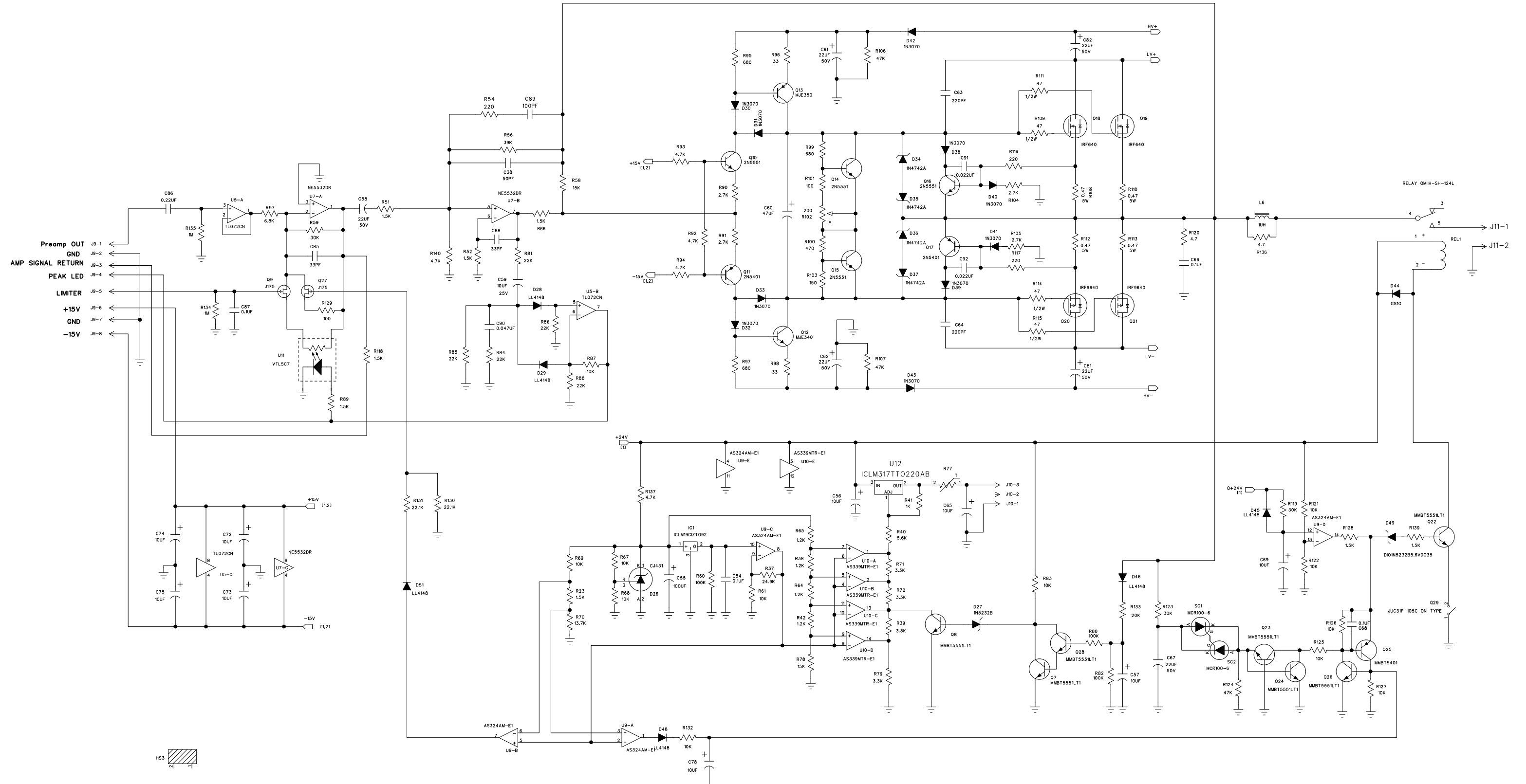
©2006 LOUD TECHNOLOGIES INC.
 ALL RIGHTS RESERVED
 THE INFORMATION CONTAINED HEREIN
 IS PROPRIETARY AND CONFIDENTIAL
 PROPERTY OF LOUD TECHNOLOGIES INC.

APPROVALS	DATE
DRAWN: YOUNG	OCT.6.2008
CHECKED:	
NP ENG:	
MATERIAL:	
MFG:	
MFG ENG:	
ISSUED:	

LOUD Technologies Inc.
 16220 WOOD-RED RD NE WOODINVILLE, WA 98072

Ampeg Micro-VR POWER SUPPLY	
SIZE: D	SCALE: NONE
DWG. NO. 0031322-00	REV. A02
DWG FILE:	SHEET 1 OF 2

ECO/DSR	REV:	DESCRIPTION	REV. BY:	DATE
DSRCHN0451	200	ADD TEMPERATURE SWITCH Q29	YOUNG	JULY.18.2008
DSRCHN0516	300	R130,R131,D51 change outline	YOUNG	AUG.18.2008
ECOCHN0590	A00	ADD SHRINK TUBE AND RELEASE TO PRODUCTION	YOUNG	OCT.6.2008



- SCR1 SCR SEMS M3X12 PNH PHILLIP STL NICKEL 0026673
- RTV1 2034504 SILICONE RTV

©2006 LOUD TECHNOLOGIES INC.
 ALL RIGHTS RESERVED
 THE INFORMATION CONTAINED HEREIN
 IS PROPRIETARY AND CONFIDENTIAL
 PROPERTY OF LOUD TECHNOLOGIES INC.

APPROVALS	DATE	LOUD TECHNOLOGIES INC. WOODINVILLE WA. USA			
DRAWN: YOUNG	OCT.6.2008	Ampeg Micro-VR AMPLIFIER			
CHECKED:					
NP ENG:					
MATERIAL:					
MFG:					
MFG ENG:		SIZE: D	SCALE: NONE	DWG. NO. 0031322-00	REV. A02
ISSUED:		DWG FILE:			SHEET 2 OF 2