

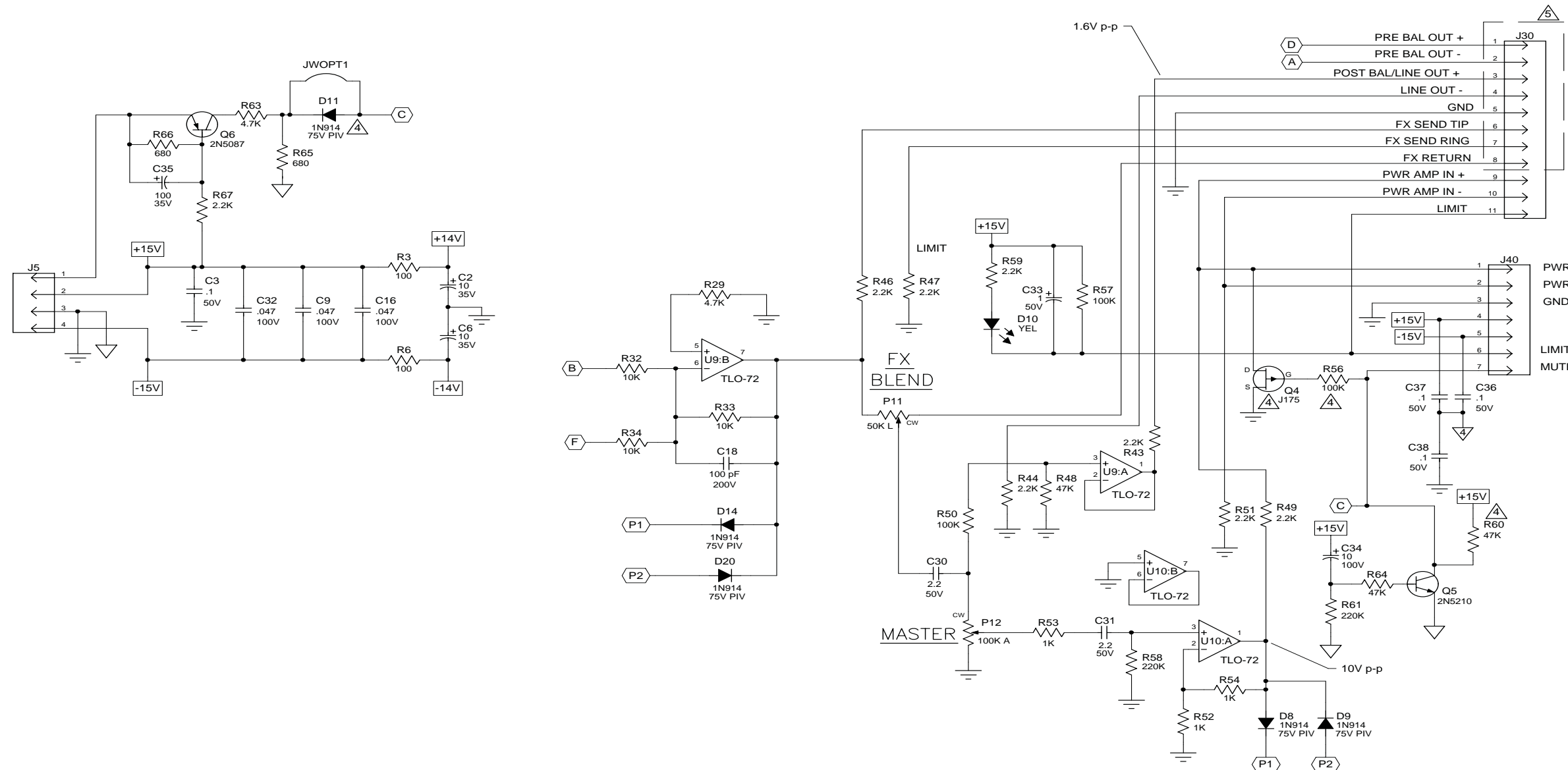
Power Table					
Ref Des	Device(Type)	Package	+14V	-15V	+15V
U1	3727501	8DIP_3	8	4	
U2	3727501	8DIP_3	8	4	
U3	3707201	8DIP_3	4		8
U4	3707201	8DIP_3	4		8
U5	3707201	8DIP_3	4		8
U6	3707201	8DIP_3	4		8
U7	3707201	8DIP_3	4		8
U8	3707201	8DIP_3	4		8
U9	3707201	8DIP_3	4		8
U10	3707201	8DIP_3	4		8

NOT USED ON DASH 01
 USE 8 PIN HEADER FOR -01

CAUTION:
 THIS SCHEMATIC IS PROVIDED FOR USE BY QUALIFIED PERSONNEL. TO AVOID RISK OF ELECTRIC SHOCK, REFER SERVICING TO QUALIFIED SERVICE PERSONNEL. DO NOT PERFORM ANY SERVICING BEYOND THAT EXPLAINED IN THE OPERATING INSTRUCTIONS.

NOTES:
 1) CAUTION: SHOCK HAZARD!! THIS UNIT CONTAINS HAZARDOUS VOLTAGE. DISCONNECT POWER AND BE SURE POWER SUPPLY IS DISCHARGED BEFORE TOUCHING INTERNAL PARTS.
 2) UNLESS NOTED, RESISTOR VALUES IN OHMS, 1/4W-5% TOL. CAPACITOR VALUES IN MICROFARADS, 50V-10% TOL.
 3) VOLTAGES ARE MEASURED WITH 1 MEGOHM OSCILLOSCOPE AND 10 MEGOHM DIGITAL VOLTMETER.

0	2-13-04	CONTROL ISSUE		RLB		
A	12/5/03	INITIAL ISSUE				
REV	Date	DESCRIPTION	Ecr(s)/Ecn(s)	Chgd By	Appvd by	Date
THE INFORMATION CONTAINED ON THIS DRAWING IS PROPRIETARY TO ST. LOUIS MUSIC, INC.						
Signatures:		Date:		 11880 Borman Drive, St. Louis, MO 63146		
Drawn: RLB		12-5-03				
Checked:				First Used On:		
Released:						
Plot Date: Fri Feb 13, 2004		Drawing Size: C		Drawing Title:		
Plot Time: 14:13:00		Drawing Type: Schematic		BASS PREAMP		
Tolerance:		Class Code: NONE		Drawing Number:		
		Sheet 1 of 2		07S596		



CAUTION:
THIS SCHEMATIC IS PROVIDED FOR USE BY QUALIFIED PERSONNEL. TO AVOID RISK OF ELECTRIC SHOCK, REFER SERVICING TO QUALIFIED SERVICE PERSONNEL. DO NOT PERFORM ANY SERVICING BEYOND THAT EXPLAINED IN THE OPERATING INSTRUCTIONS.

- NOTES:**
- 1) CAUTION: SHOCK HAZARD!! THIS UNIT CONTAINS HAZARDOUS VOLTAGE. DISCONNECT POWER AND BE SURE POWER SUPPLY IS DISCHARGED BEFORE TOUCHING INTERNAL PARTS.
 - 2) UNLESS NOTED, RESISTOR VALUES IN OHMS, 1/4W-5% TOL. CAPACITOR VALUES IN MICROFARADS, 50V-10% TOL.
 - 3) VOLTAGES ARE MEASURED WITH 1 MEGOHM OSCILLOSCOPE AND 10 MEGOHM DIGITAL VOLTMETER.

⚠ NOT USED ON DASH 01
⚠ USE 8 PIN HEADER FOR -01

0	2-13-04	CONTROL ISSUE				RLB
A	12/5/03	INITIAL ISSUE				
REV	Date	DESCRIPTION	Ecr(s)/Ecn(s)	Chgd By	Appvd by	Date
THE INFORMATION CONTAINED ON THIS DRAWING IS PROPRIETARY TO ST. LOUIS MUSIC, INC.						
Signatures:		Date:		 11880 Borman Drive, St. Louis, MO 63146		
Drawn: RLB		12-5-03		First Used On:		
Checked:				Drawing Title:		
Released:				BASS PREAMP		
Plot Date: Fri Feb 13, 2004		Drawing Size: C		Drawing Number:		
Plot Time: 14:13:00		Drawing Type: Schematic		07S596		
Tolerance:		Class Code: NONE		Sheet 2 of 2		