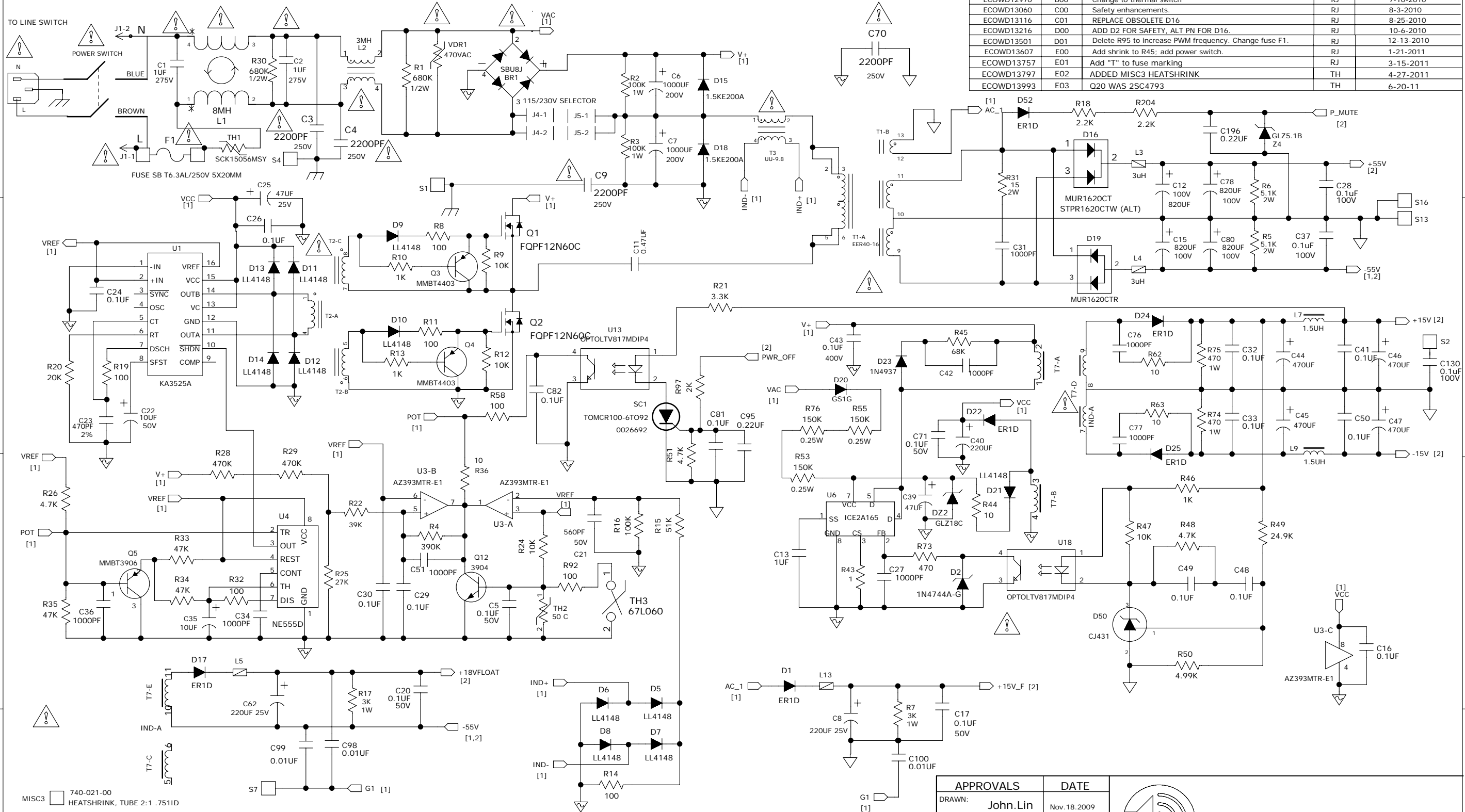


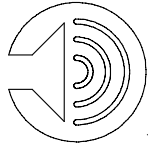
| ECO | REV: | DESCRIPTION | REV. BY: | DATE |
|------------|------|---|----------|--------------|
| ECOCHN0841 | 100 | release for working sample | | Jan.05.2010 |
| ECOCHN0851 | 200 | release for proto 200 | | Apr.01.2010 |
| ECOWD12713 | 201 | BOM CHANGE | | Apr.23.2010 |
| ECOCHN0884 | A00 | release for pilot | RJ | June.23.2010 |
| ECOWD12970 | B00 | Change to thermal switch | RJ | 7-10-2010 |
| ECOWD13060 | C00 | Safety enhancements. | RJ | 8-3-2010 |
| ECOWD13116 | C01 | REPLACE OBSOLETE D16 | RJ | 8-25-2010 |
| ECOWD13216 | D00 | ADD D2 FOR SAFETY. ALT PN FOR D16. | RJ | 10-6-2010 |
| ECOWD13501 | D01 | Delete R95 to increase PWM frequency. Change fuse F1. | RJ | 12-13-2010 |
| ECOWD13607 | E00 | Add shrink to R45: add power switch. | RJ | 1-21-2011 |
| ECOWD13757 | E01 | Add "T" to fuse marking | RJ | 3-15-2011 |
| ECOWD13797 | E02 | ADDED MISC3 HEATSHRINK | TH | 4-27-2011 |
| ECOWD13993 | E03 | Q20 WAS 2SC4793 | TH | 6-20-11 |



- MISC3 740-021-00 HEATSHRINK, TUBE 2:1 .7511D
- SCH1 2034538-XX SCHEMATIC PCB ASSY AMP/PSU BOARD PF350
- PCB1 2034537-04 PCB FAB FR4 DOUBLE 1 OZ 1.6MM AMP/PSU BOARD PF350
- FORC70 0032291 SHRINK TUBE 18X40MM FORC11 0025451 SHRINK TUBE 25X40MM
- FORL4 0032291 SHRINK TUBE 18X40MM FORC118 0025451 SHRINK TUBE 25X40MM
- FORC10 0032291 SHRINK TUBE 18X40MM FORR31 0032292 SHRINK TUBE 9X30MM
- FORR45 0032292 SHRINK TUBE 9X30MM FORC40 0032292 SHRINK TUBE 9X30MM

© 2009-2010 LOUD TECHNOLOGIES INC.
 ALL RIGHTS RESERVED
 THE INFORMATION CONTAINED HEREIN
 IS PROPRIETARY AND CONFIDENTIAL
 PROPERTY OF LOUD TECHNOLOGIES INC.

| APPROVALS | DATE |
|-----------------|-------------|
| DRAWN: John.Lin | Nov.18.2009 |
| CHECKED: | |
| MP ENG: | |
| MATERIAL: | |
| MFG: | |
| MFG ENG: | |
| ISSUED: | |

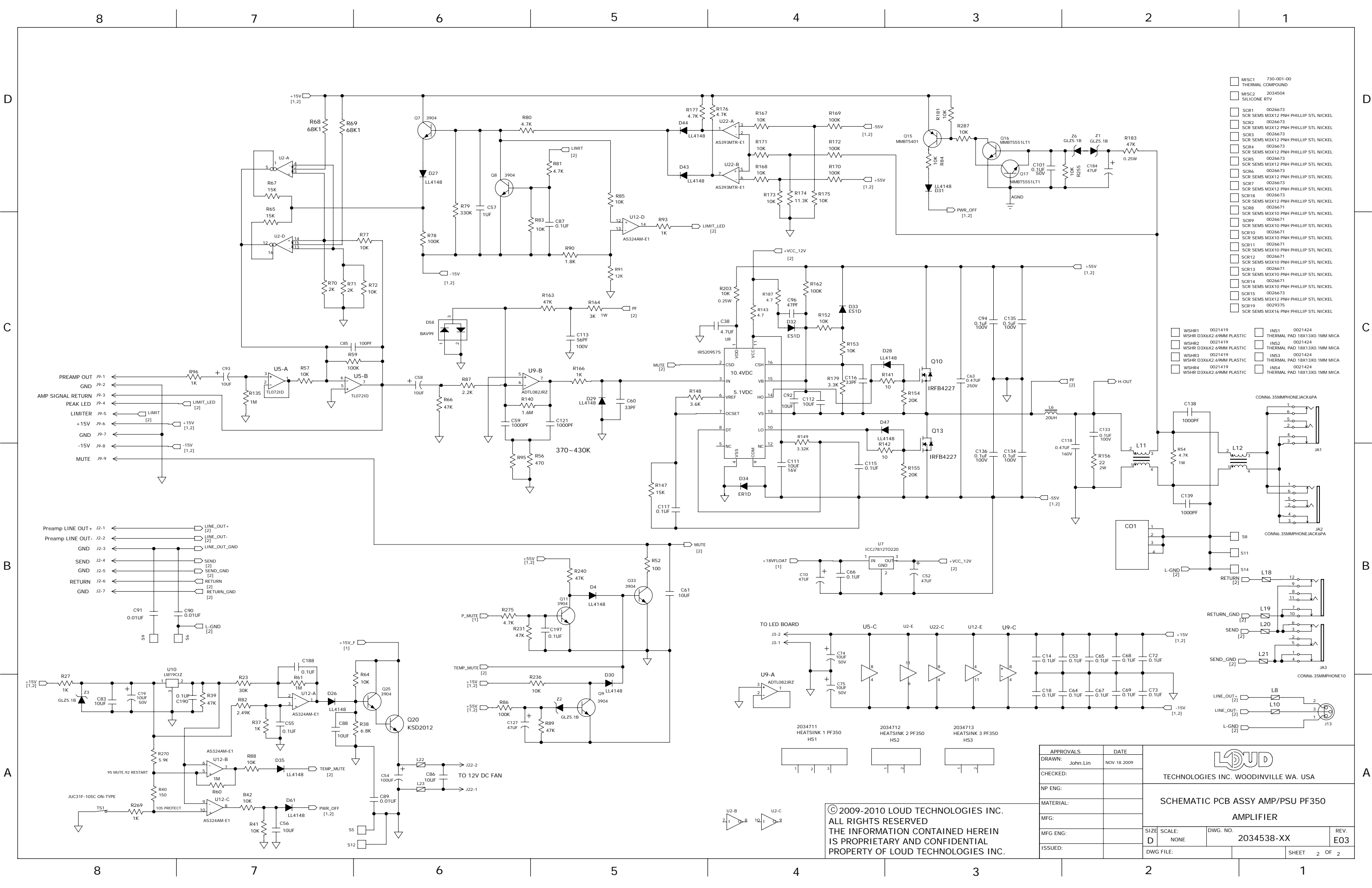


LOUD Technologies Inc.
 16220 WOOD-RED RD NE WOODINVILLE, WA 98072

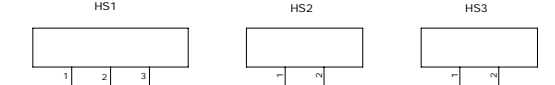
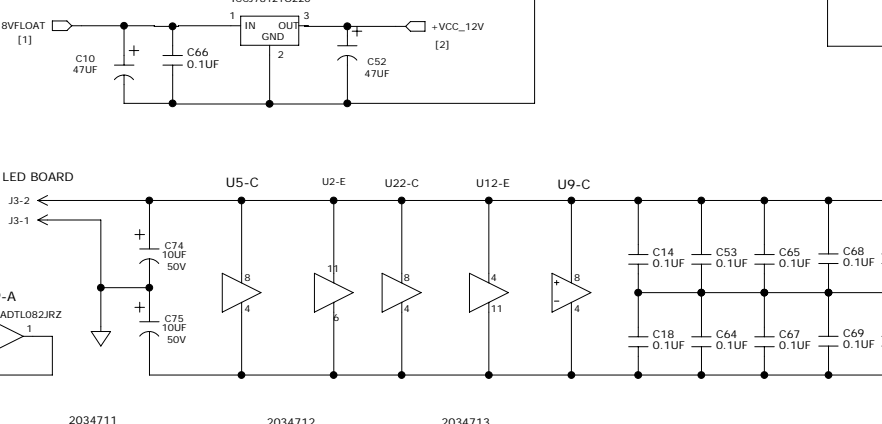
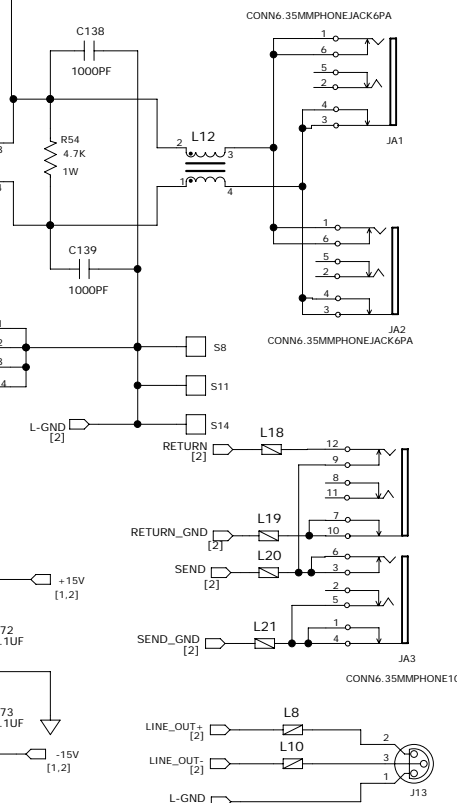
SCHEMATIC PCB ASSY AMP/PSU PF350

POWER SUPPLY

| | | | |
|-----------|-------------|----------------------|----------|
| SIZE: D | SCALE: NONE | DWG. NO.: 2034538-XX | REV. E03 |
| DWG FILE: | | SHEET 1 OF 2 | |



- MISC1 730-001-00 THERMAL COMPOUND
- MISC2 2034504 SILICONE RTV
- SCR1 0026673 SCR SEMS M3X12 PNH PHILLIP STL NICKEL
- SCR2 0026673 SCR SEMS M3X12 PNH PHILLIP STL NICKEL
- SCR3 0026673 SCR SEMS M3X12 PNH PHILLIP STL NICKEL
- SCR4 0026673 SCR SEMS M3X12 PNH PHILLIP STL NICKEL
- SCR5 0026673 SCR SEMS M3X12 PNH PHILLIP STL NICKEL
- SCR6 0026673 SCR SEMS M3X12 PNH PHILLIP STL NICKEL
- SCR7 0026673 SCR SEMS M3X12 PNH PHILLIP STL NICKEL
- SCR8 0026673 SCR SEMS M3X12 PNH PHILLIP STL NICKEL
- SCR9 0026673 SCR SEMS M3X12 PNH PHILLIP STL NICKEL
- SCR10 0026673 SCR SEMS M3X12 PNH PHILLIP STL NICKEL
- SCR11 0026673 SCR SEMS M3X12 PNH PHILLIP STL NICKEL
- SCR12 0026673 SCR SEMS M3X12 PNH PHILLIP STL NICKEL
- SCR13 0026673 SCR SEMS M3X12 PNH PHILLIP STL NICKEL
- SCR14 0026673 SCR SEMS M3X12 PNH PHILLIP STL NICKEL
- SCR15 0026673 SCR SEMS M3X12 PNH PHILLIP STL NICKEL
- SCR19 0029375 SCR SEMS M3X16 PNH PHILLIP STL NICKEL
- WSHR1 0021419 WSHR D3X6X2.69MM PLASTIC
- WSHR2 0021419 WSHR D3X6X2.69MM PLASTIC
- WSHR3 0021419 WSHR D3X6X2.69MM PLASTIC
- WSHR4 0021419 WSHR D3X6X2.69MM PLASTIC
- INS1 0021424 THERMAL PAD 18X13X0.1MM MICA
- INS2 0021424 THERMAL PAD 18X13X0.1MM MICA
- INS3 0021424 THERMAL PAD 18X13X0.1MM MICA
- INS4 0021424 THERMAL PAD 18X13X0.1MM MICA



| APPROVALS | | DATE |
|-----------------|--|-------------|
| DRAWN: John.Lin | | NOV.18.2009 |
| CHECKED: | | |
| NP ENG: | | |
| MATERIAL: | | |
| MFG: | | |
| MFG ENG: | | |
| ISSUED: | | |

| | | | |
|---------------------------------------|--------------|----------------------------------|----------|
| TECHNOLOGIES INC. WOODINVILLE WA. USA | | SCHEMATIC PCB ASSY AMP/PSU PF350 | |
| AMPLIFIER | | REV. E03 | |
| SIZE | SCALE: NONE | DWG. NO. 2034538-XX | REV. E03 |
| DWG FILE: | SHEET 2 OF 2 | | |

© 2009-2010 LOUD TECHNOLOGIES INC.
 ALL RIGHTS RESERVED
 THE INFORMATION CONTAINED HEREIN
 IS PROPRIETARY AND CONFIDENTIAL
 PROPERTY OF LOUD TECHNOLOGIES INC.