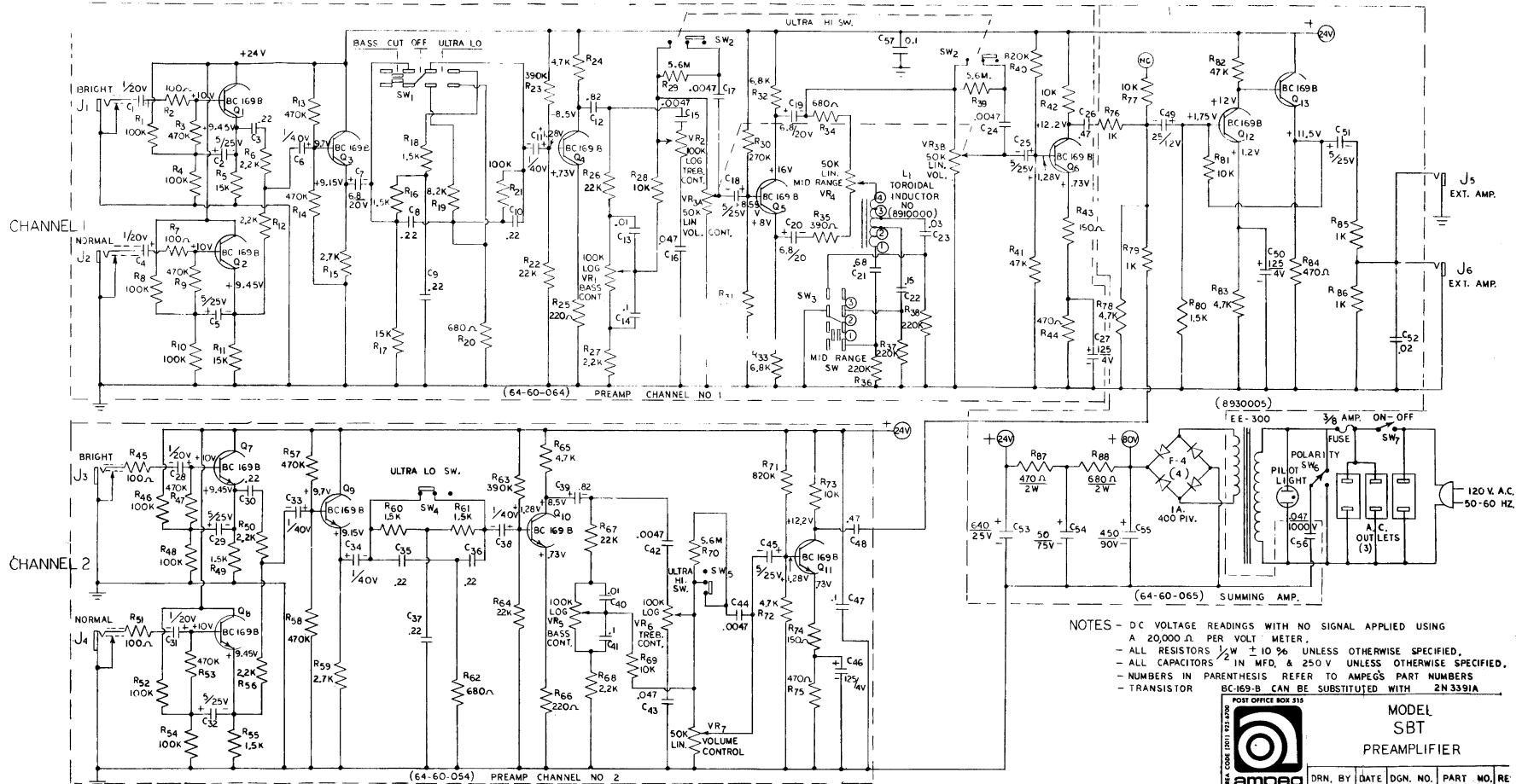


SBT PREAMP

Ampeg



NOTES - D.C. VOLTAGE READINGS WITH NO SIGNAL APPLIED USING A 20,000 Ω PER VOLT METER.
 - ALL RESISTORS 1/2 W ± 10% UNLESS OTHERWISE SPECIFIED.
 - ALL CAPACITORS 1/2 IN MFD, & 250V UNLESS OTHERWISE SPECIFIED.
 - NUMBERS IN PARENTHESIS REFER TO AMPEGS PART NUMBERS
 - TRANSISTOR BC-169-B CAN BE SUBSTITUTED WITH 2N 3391A

POST OFFICE BOX 315
ampeg
 LINDEN, NEW JERSEY 07036

MODEL
 SBT
 PREAMPLIFIER

DRN. BY	DATE	DGN. NO.	PART NO.	RE
C.W.	669	05700	401Q205	