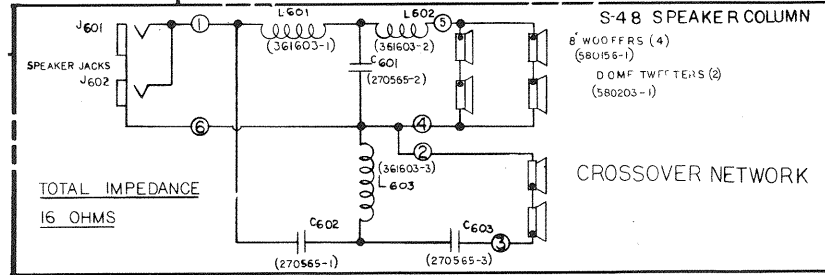
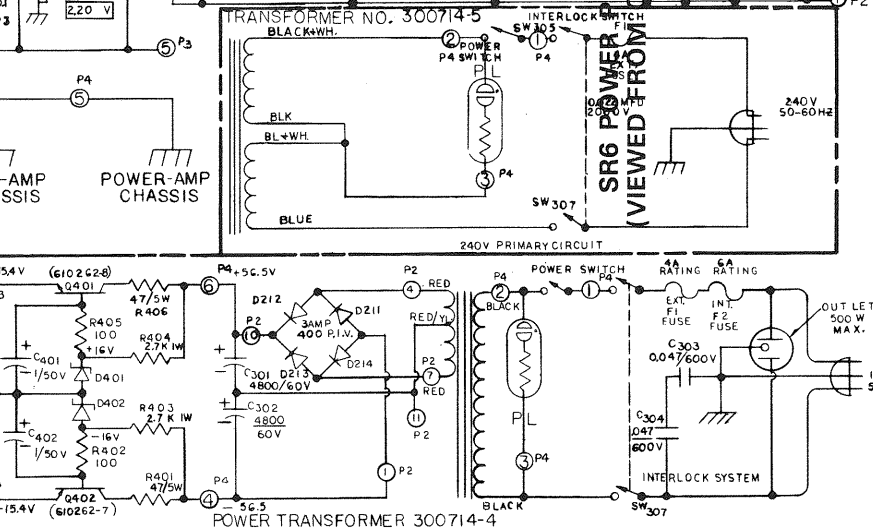
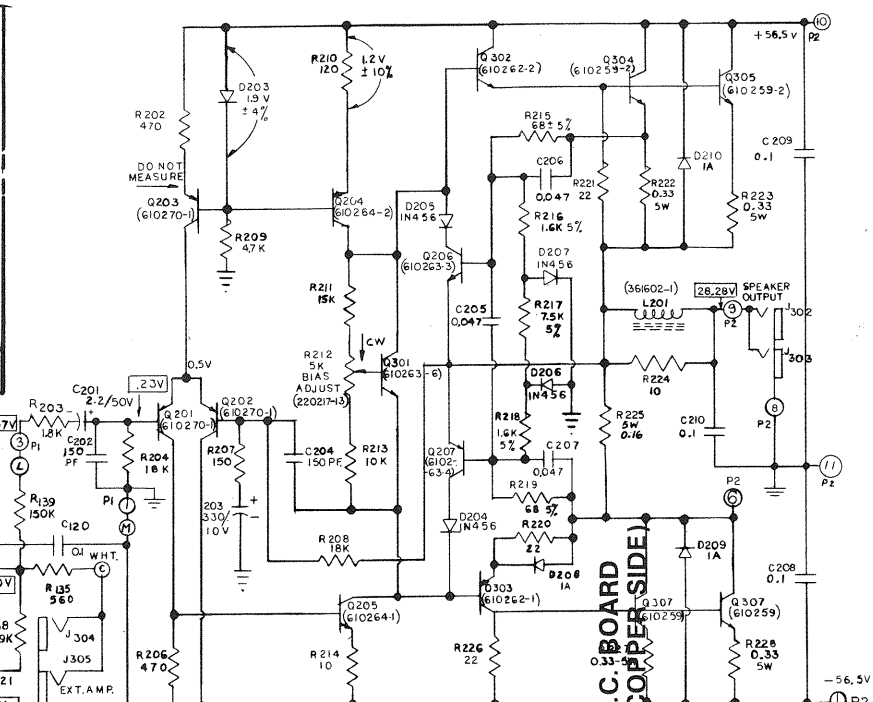
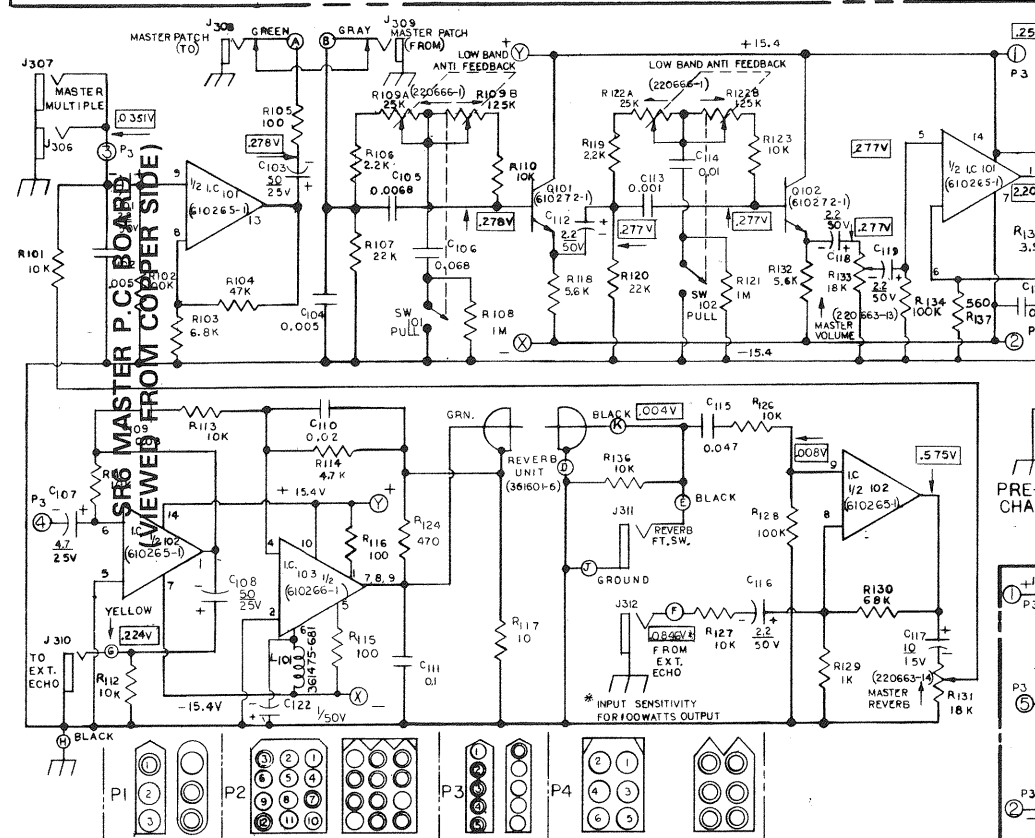
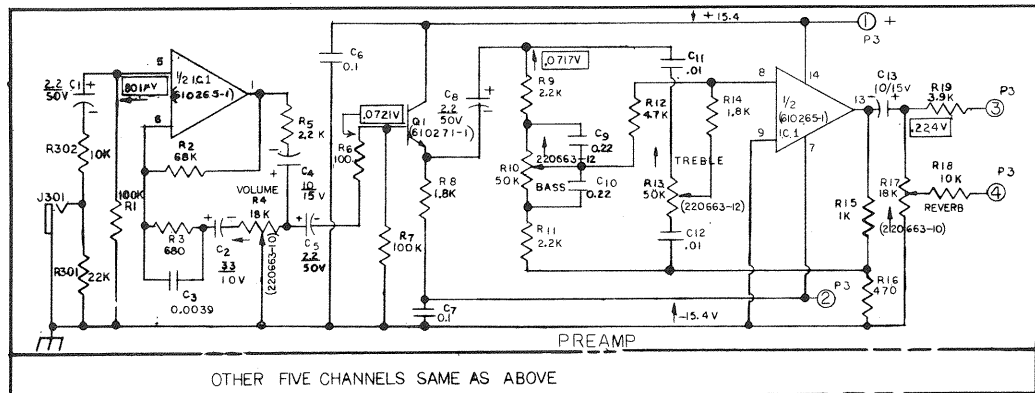
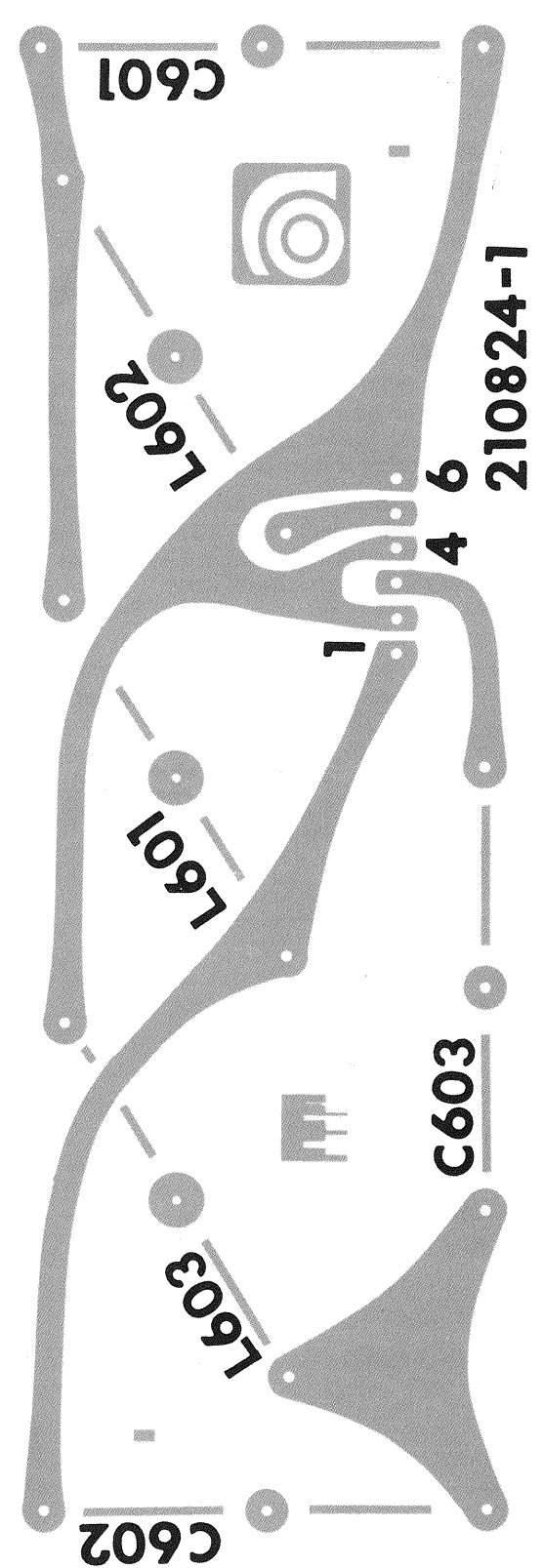


MODELS SR-6 AND S-48 SCHEMATIC DIAGRAMS (REV. B)



S48 CROSSOVER P.C. BOARD (VIEWED FROM COPPER SIDE)



NUAL

TIONS

akers and
orth filter