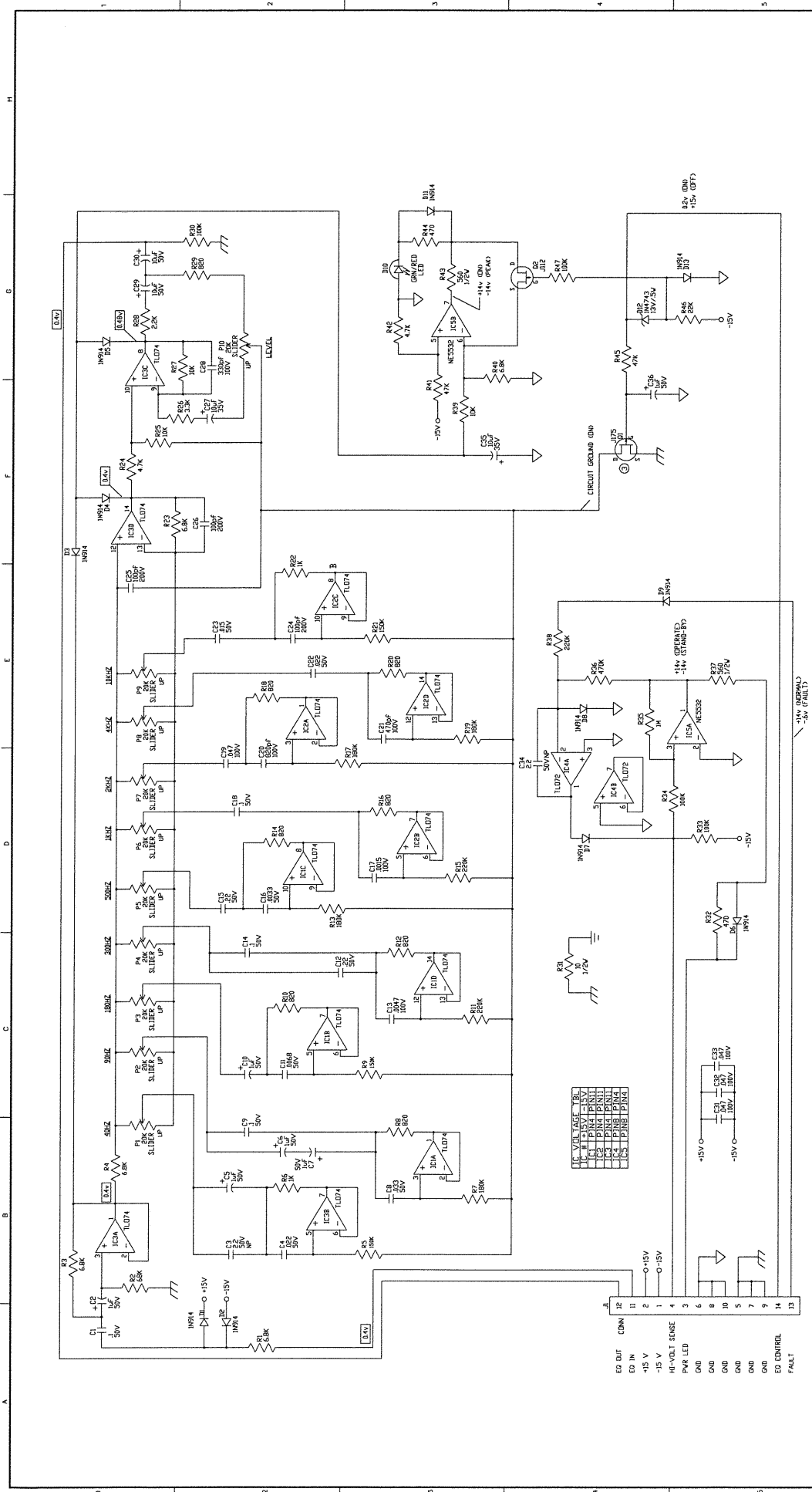


SIGNATURES:	DATE:	3/20/93
DRAWN: ERW	PROJECT NAME:	SVT-2 PRO
CHK'D:	APPR'D:	
ORIGINAL ISSUED:	PLOT DATE:	05/18/94
	PLT TIME:	08:42:37
	FILE NAME:	075519-03 REV 3
	STANDARD:	SCALE: 1:1
		SHEET: 1 OF 1

REV	DATE	BY	CHK'D	DESCRIPTION
3	06/18/94	UA		REV CHG TO REFLECT JUMPER CHG PER E150
2				
1				

- NOTES**
- 1) CAUTION - SHOCK HAZARD! THIS UNIT CONTAINS HAZARDOUS VOLTAGE. DISCONNECT POWER AND BE SURE POWER SUPPLY IS DISCHARGED BEFORE TOUCHING INTERNAL PARTS.
 - 2) UNLESS NOTED, RESISTOR VALUES IN OHMS, 1/4W-5% TOL. CAPACITOR VALUES IN MICROFARADS, 50V-10% TOL.
 - 3) VOLTAGES ARE MEASURED WITH 1 MEGOHM OSCILLOSCOPE AND 10 MEGOHM DIGITAL VOLTMETER.
 - 4) VOLTAGES IN RECTANGLES ARE RMS SIGNAL VOLTAGES. OTHER VOLTAGES ARE DC IN CONDITIONS STATED.
 - 5) CIRCUIT GROUND ∇ DIRTY GROUND ∇ CHASSIS GROUND ∇



REV	DATE	BY	CHK'D	DESCRIPTION
1	2/12/98	WFB		15 UNITS PER 1000V
2	03/25/94	LMA		REV CHG TO REFLECT JUMPER CHG PER E130

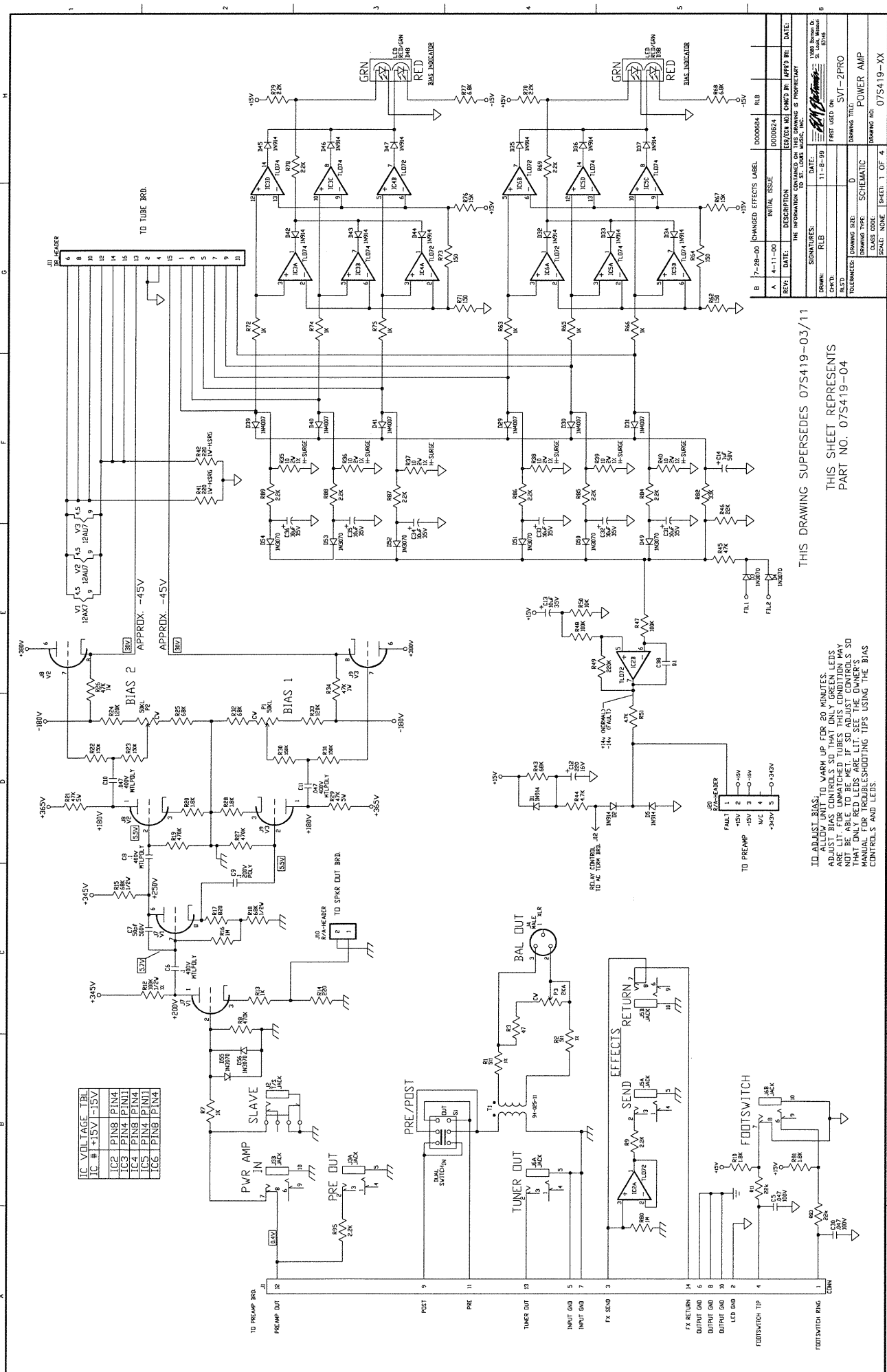
SIGNATURES:	DATE:	DESCRIPTION:
ERW	3/11/93	15 UNITS PER 1000V
GM	07/09/98	REV CHG TO REFLECT JUMPER CHG PER E130

DRAWN:	DATE:	PROJECT NAME:
ERW	3/11/93	SVT-2 PRO
GM	07/09/98	GRAPHIC EQ. SCHEMATIC

ORIGINAL ISSUED:	DRAWING NAME:
07/09/98	SVT-2 PRO

FILE NAME:	SCALE:	SHEET:	OF
7282913	1:1	1	1

- NOTES
- CAUTION: SHOCK HAZARD!! THIS UNIT CONTAINS HAZARDOUS VOLTAGE. DISCONNECT POWER AND BE SURE POWER SUPPLY IS DISCHARGED BEFORE TOUCHING INTERNAL PARTS.
 - UNLESS NOTED, RESISTOR VALUES IN OHMS, 1/4W-5% TOL. CAPACITOR VALUES IN MICROFARADS, 50V-10% TOL.
 - VOLTAGES ARE MEASURED WITH 1 MEGOHM OSCILLOSCOPE AND 10 MEGOHM DIGITAL VOLTMETER. EQ. DN. SLIDERS ARE IN CENTER POSITION.
 - VOLTAGES IN RECTANGLES ARE RMS SIGNAL VOLTAGES WITH 0.4V IN OTHER VOLTAGES ARE DC IN CONDITIONS STATED.
 - CIRCUIT GROUND // DIRTY GROUND ∇ CHASSIS GROUND ⊕



IC VOLTAGE TABL		
IC #	+15V	-15V
IC2	PN8	PN4
IC3	PN4	PN1
IC4	PN8	PN4
IC5	PN4	PN1
IC6	PN8	PN4

THIS DRAWING SUPERSEDES 07S419-03/11

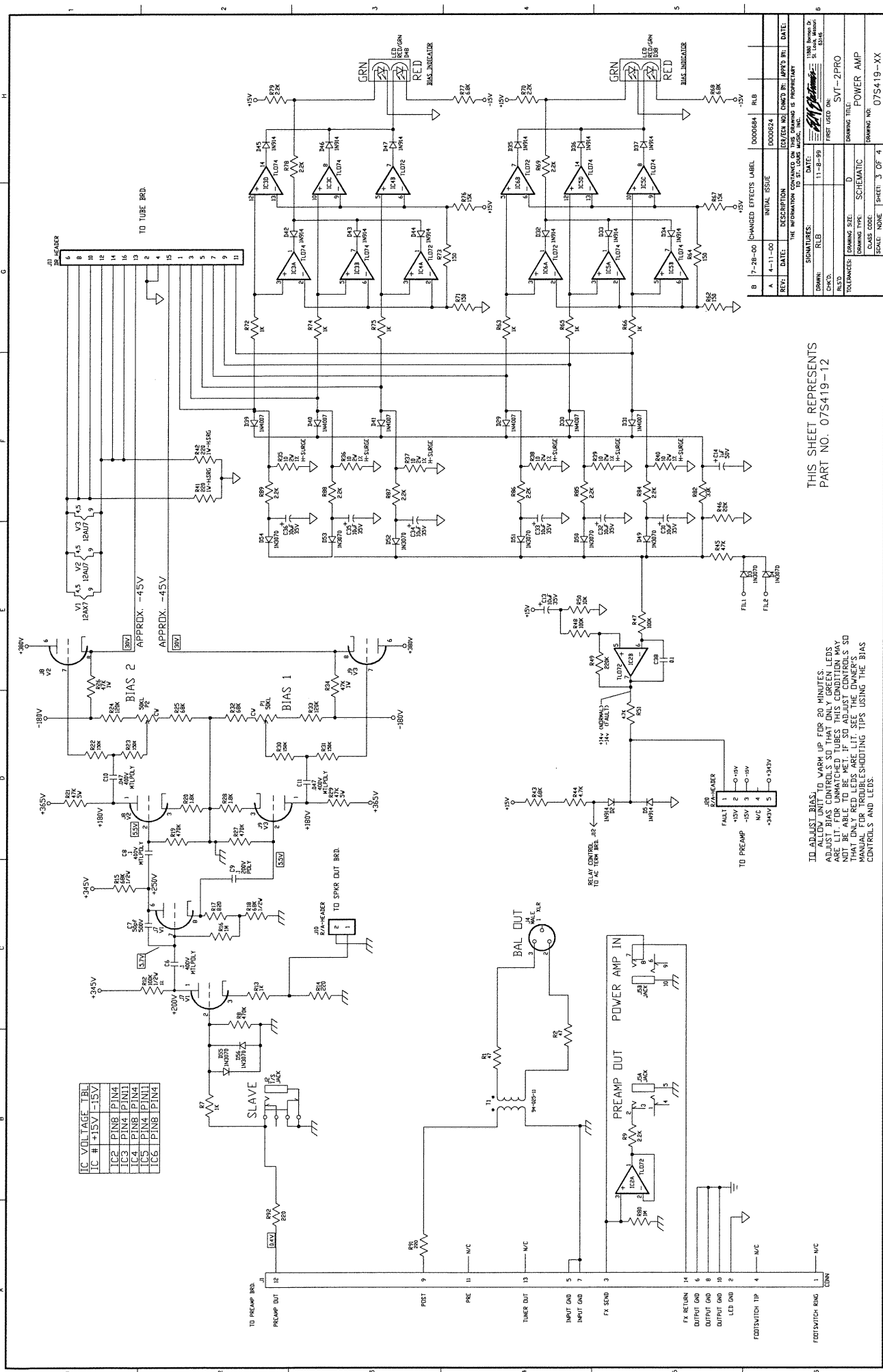
THIS SHEET REPRESENTS
PART NO. 07S419-04

TO ADJUST BIAS, ADJUST BIAS CONTROLS FOR 20 MINUTES. ADJUST BIAS CONTROLS SO THAT ONLY GREEN LEDS ARE LIT. FOR UNMATCHED TUBES THIS CONDITION MAY NOT BE ABLE TO BE MET. IF SO ADJUST CONTROLS SO THAT ONLY GREEN LEDS ARE LIT. REFER TO THE SERVICE MANUAL FOR TROUBLESHOOTING TIPS USING THE BIAS CONTROLS AND LEDS.

REV:	DATE:	DESCRIPTION:	INITIALS:	ISSUE:
A	4-11-00	EG/CEM NO. OWNED BY: APPTD BY: DATE:		
B	7-28-00	CHANGED EFFECTS LABEL:		

DESIGNER:	CHECKED:	DATE:	BY:
REL	REL	11-12-99	SVT-ZPRO

CLASS CODE:	DRAWING TITLE:	DRAWING NO.:
SVT-2PRO	POWER AMP	07S419-XX



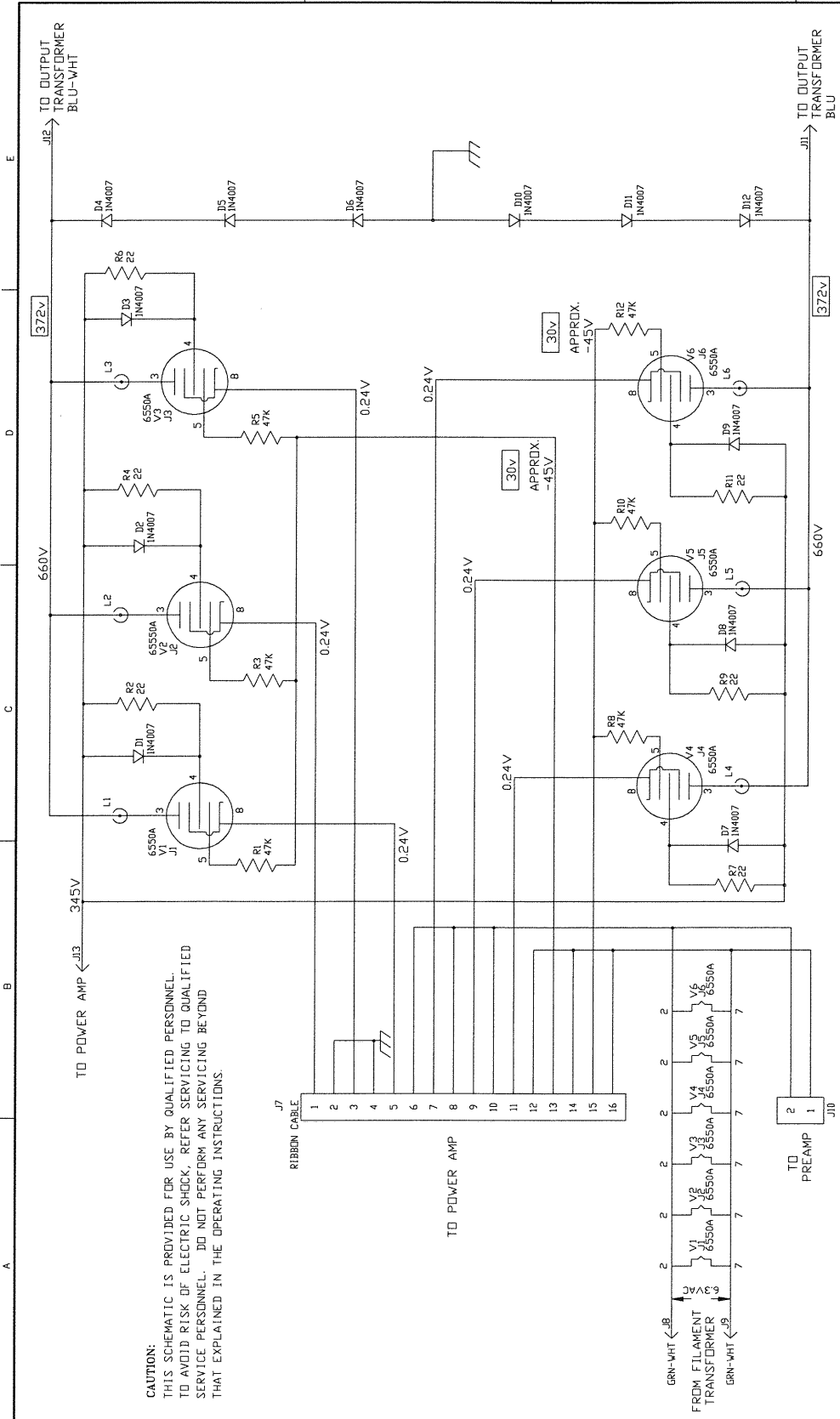
IC #	VOLTAGE	TUB
IC1	+15V	-15V
IC2	PIN8	PIN4
IC3	PIN4	PIN1
IC4	PIN8	PIN4
IC5	PIN4	PIN1
IC6	PIN8	PIN4

THIS SHEET REPRESENTS
PART NO. 075419-12

TO ADJUST BIAS, TURN WASH UP FOR 30 MINUTES. ADJUST BIAS CONTROLS SO THAT ONLY GREEN ARE LIT. FOR UNMATCHED TUBES THIS CONDITION MAY NOT BE ABLE TO BE MET. IF SO ADJUST CONTROLS SO THAT ONLY RED ARE LIT. SEE OWNER'S MANUAL FOR TROUBLESHOOTING TIPS USING THE BIAS CONTROLS AND LEADS.

REV:	DATE:	DESCRIPTION:	IC/ECN NO:	ORIG BY:	APPROV BY:	DATE:
A	4-11-00	INITIAL ISSUE	0000684	RLB		
B	7-28-00	CHANGED EFFECTS LABEL TO TUBE HEAD	0000684	RLB		

SIGNATURES:	TO: TUBE HEAD	DATE:
DESIGNER:	RLB	11-22-99
CHECKED:	RLB	
DRAWING TYPE:	SCHEMATIC	
DRAWING SIZE:	D	
TOLERANCES:	CLASS CODE:	
SCALE:	INDIC. SHEET:	3 OF 4
DRAWING NO.:	075419-XX	



CAUTION:
THIS SCHEMATIC IS PROVIDED FOR USE BY QUALIFIED PERSONNEL. TO AVOID RISK OF ELECTRIC SHOCK, REFER SERVICING TO QUALIFIED SERVICE PERSONNEL. DO NOT PERFORM ANY SERVICING BEYOND THAT EXPLAINED IN THE OPERATING INSTRUCTIONS.

- NOTES:**
- 1) CAUTION: SHOCK HAZARD! THIS UNIT CONTAINS HAZARDOUS VOLTAGE. DISCONNECT POWER AND BE SURE POWER SUPPLY IS DISCHARGED BEFORE TOUCHING INTERNAL PARTS.
 - 2) UNLESS NOTED, RESISTOR VALUES IN OHMS, 1/4W-5% TOL. CAPACITOR VALUES IN MICROFARADS, 50V-10% TOL.
 - 3) VOLTAGES ARE MEASURED WITH 1 MEGOHM OSCILLOSCOPE AND 10 MEGOHM DIGITAL VOLTMETER. VOLTAGES IN RECTANGLES ARE RMS SIGNAL VOLTAGES WITH FULL POWER OUTPUT. OTHER VOLTAGES ARE DC WITH NO SIGNAL.

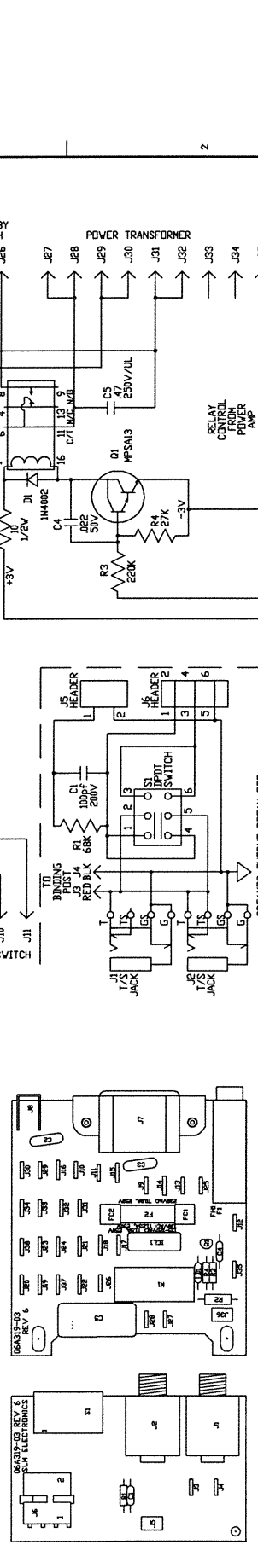
REV	DATE	BY	CHK'D	DESCRIPTION
3	08/30/96	LMA		UPDATED REV TO REFLECT PIC CHANGE E660133
2	08/16/94	LMA		REV CHG TO REFLECT JUMPER CHG PER E150
1				

SIGNATURES:	DATE:	11880 BORMAN RS
CHK'D:	03/02/93	ST. LOUIS, MISSOURI
APP'D:		63146
PROJECT NAME:	SVT-2 PRO	
DRAWING NAME:	TUBE Bd. SCHEMATIC	
ORIGINAL ISSUED:	08/14/98	
PLOT DATE:	14:05:00	DRAWING NO. 07S419-41
PLOT TIME:		SCALE: 1:1 SHEET: 1 OF 1
FILE NAME:	4194194-	

6					
5					
4	07/27/98	MAG		CHG'S TO PICTORIAL PER ECO 980466.	

NOTES

- 1) CAUTION: SHOCK HAZARD!! THIS UNIT CONTAINS HAZARDOUS VOLTAGE. DISCONNECT POWER AND BE SURE POWER SUPPLY IS DISCHARGED BEFORE TOUCHING INTERNAL PARTS.
- 2) UNLESS NOTED, RESISTOR VALUES IN OHMS, 1/4W-5% TOL. CAPACITOR VALUES IN MICROFARADS, 50V-10% TOL.
- 3) VOLTAGES ARE MEASURED WITH 1 MEGOHM OSCILLOSCOPE AND 10 MEGOHM DIGITAL VOLTMETER.
- 4) CIRCUIT GROUND = DIRTY GROUND ∇ CHASSIS GROUND ↗
- 5) GOOD CS PER USUAL PRACTICE.



(SPEAKER OUTPUT) (AC TERMINATION)

ARTWORK REV. 6

DESIGNATOR	PART#	DESCRIPTION
C1	10A101-21	1000F
C2	10-332-01	200V
C3	0.0033	UL
C4	0.0033	UL
C5	10A223-01	50V
C6	10-474-25	0.47
D1	21A402-01	1N4002
FC1	23-926-02	FUSE
FC2	23-926-02	FUSE
FH1	23-346-01	FUSE HOLDER
ICL1	73-501-03	3A INRUSH LIMITER
J1	39-116-01	JACK
J2	39-116-01	JACK
J3	17-836-01	TAB
J4	17-836-01	TAB
J5	17-310-02	HEADER
J6	17-195-06	HEADER
J7	17-604-01	6PIN
J8	51-149-01	LINE-CORD CONNECTOR
J9	17-894-01	TAB
J10	17-894-01	TAB
J11	17-894-01	TAB
J12	17-836-01	TAB
J13	17-836-01	TAB
J14	17-894-01	TAB
J15	17-894-01	TAB
J16	17-894-01	TAB
J17	17-894-01	TAB
J18	17-894-01	TAB
J19	17-894-01	TAB
J20	17-894-01	TAB
J21	17-894-01	TAB
J22	17-894-01	TAB
J23	17-894-01	TAB
J24	17-894-01	TAB
J25	17-836-01	TAB
J26	17-836-01	TAB
J27	17-836-01	TAB
J28	17-836-01	TAB
J29	17-836-01	TAB
J30	17-836-01	TAB
J31	17-836-01	TAB
J32	17-836-01	TAB
J33	17-836-01	TAB
J34	17-836-01	TAB
J35	17-836-01	TAB
J36	17-310-02	2PIN
J37	17-894-01	TAB
J38	17-836-01	TAB
K1	82-505-01	RELAY
Q1	96-013-01	MPSA13
R1	76-683-01	68K
R2	77-100-01	10
R3	76-224-01	220K
R4	76-273-01	27K
S1	88-214-02	SWITCH
F1	23-310-01	10A FUSE NORMAL
F2	23-308-05	1.5A FUSE SLD-BLD
PCB1	06A319-03	PC BRD.
(2)	30-638-53	MISC. HARDWARE
(2)	30-700-01	SCREW
(1)	23-346-11	NUT FUSE HOLDER CAP

9 11/13/97 SWR
 11/04/96 SWR
 05/07/96 LMA G.M.
 11/08/95 DMM
 03/22/95 REM
 04/11/94 BC
 04/07/94 SWR
 08/09/93 SWR

ADDED (CL1, J37, & J38).
 CHANGED P/N FOR FC1 & FC2 & LABEL FOR F2.
 ADDED CS PER E960093
 CHANGED 39-116-51 TO 39-116-01 PER E950348
 R1 FROM 33K TO 68K RESISTOR.
 CHANGED F1 FROM 15A TO 10A FUSE (23-315-01 TO 23-310-01) PER ECO E101
 CHANGED C2 TO 10-332-01 .0033 UL PER ECO #E126.
 CHANGED P/N FOR PARTS J1 & J2.

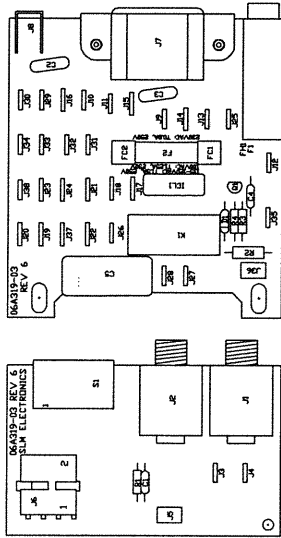
DATE BY CHK'D DESCRIPTION

SIGNATURES: DATE: 03/11/93
 DRAWN: ERW
 CHK'D: GM
 APP'D: GM
 ORIGINAL ISSUED: 8/9/93
 PLOT DATE: 11/13/97
 PLOT TIME: 08:19:22
 FILE NAME: 31903P8

PROJECT NAME: SVT-2 PRO
 DRAWING NAME: AC-TERM BRD.
 DRAWING NO. 07P319-03
 SCALE: 1:1
 SHEET: 1 OF 1

NOTES

- 1) CAUTION: SHOCK HAZARD! THIS UNIT CONTAINS HAZARDOUS VOLTAGE. DISCONNECT POWER AND BE SURE POWER SUPPLY IS DISCHARGED BEFORE TOUCHING INTERNAL PARTS.
- 2) UNLESS NOTED, RESISTOR VALUES IN OHMS, 1/4W-5% TOL. CAPACITOR VALUES IN MICROFARADS, 50V-10% TOL.
- 3) VOLTAGES ARE MEASURED WITH 1 MEGOHM OSCILLOSCOPE AND 10 MEGOHM DIGITAL VOLTMETER.
- 4) CIRCUIT GROUND \oplus DIRTY GROUND ∇ CHASSIS GROUND ∇
- 5) GOOD CS PER USUAL PRACTICE.



(SPEAKER OUTPUT)

(AC TERMINATION)

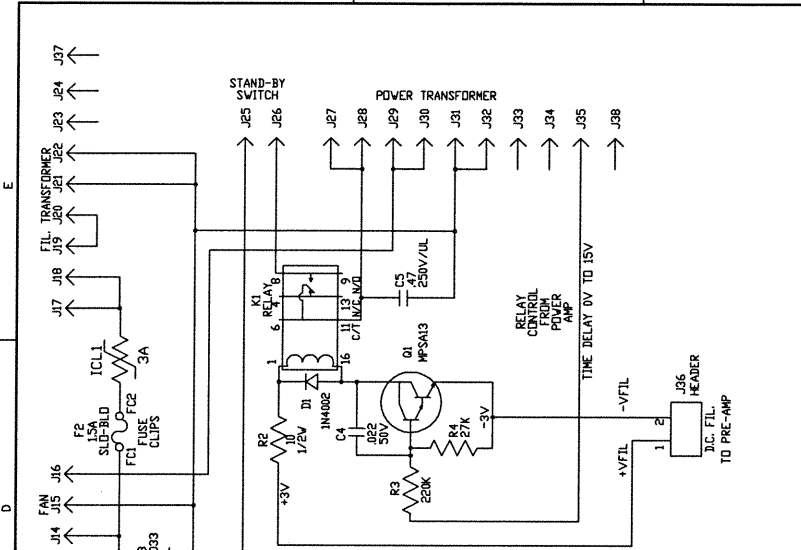
ARTWORK REV. 6

DESIGNATOR PART# DESCRIPTION

C1	10A101-21	100pF	200V	J25	17-836-01	TAB
C2	0 0033	UL		J26	17-836-01	TAB
C3	10-332-01	UL		J27	17-836-01	TAB
C4	10A223-01	0 022	50V	J28	17-836-01	TAB
C5	10-474-25	0 47	250V/UL	J29	17-836-01	TAB
D1	21A402-01	1N4002		J30	17-836-01	TAB
FC1	23-926-02	FUSE	CLIP	J31	17-836-01	TAB
FC2	23-926-02	FUSE	CLIP	J32	17-836-01	TAB
FH1	23-346-01	FUSE	HOLDER	J33	17-836-01	TAB
(8) ICL1	73-501-03	3A INRUSH LIMITER		J34	17-836-01	TAB
J1	39-116-01	T/S	JACK	J35	17-836-01	TAB
J2	39-116-01	T/S	JACK	J36	82-505-01	RELAY
J3	17-836-01	TAB		K1	96-013-01	MPSA13
J4	17-836-01	TAB		Q1	76-683-01	68K
J5	17-310-02	2PIN	HEADER	R1	77-100-01	10
J6	17-193-06	6PIN	HEADER	R2	76-224-01	220K
J7	17-604-01	LINE-CORD CONNECTOR		R3	76-273-01	27K
J8	51-149-01	LINE-CORD		R4	88-214-02	SWITCH
J9	17-894-01	TAB		S1	23-310-01	10A FUSE
J10	17-894-01	TAB		F1	23-308-05	1.5A FUSE
J11	17-836-01	TAB		F2	06A319-03	PC BRD.
J12	17-836-01	TAB		PCB1		
J13	17-894-01	TAB				
J14	17-894-01	TAB				
J15	17-894-01	TAB				
J16	17-894-01	TAB				
J17	17-894-01	TAB				
J18	17-894-01	TAB				
J19	17-894-01	TAB				
J20	17-894-01	TAB				
J21	17-894-01	TAB				
J22	17-894-01	TAB				
J23	17-894-01	TAB				
J24	17-894-01	TAB				

MISC. HARDWARE

- (2) 30-638-53 SCREW
- (2) 30-700-01 NUT
- (1) 23-346-11 FUSE HOLDER CAP



9	(8) 1/15/97	SWR	ADDED ICL1 J37 & J38. PER ECO #970682.
	(11/04/96	SWR	CHANGED P/N FOR FC1 & FC2 & LABEL FOR FZ. PER ECO #960445.
	05/07/86	LMA	ADDED C5 PER E960093
	11/06/95	DMM	CHANGED 39-116-51 TO 39-116-01 PER E950348
	03/22/95	REM	R1 FROM 33K TO 68K RESISTOR.
	04/11/94	BC	CHANGED F1 FROM 15A TO 10A FUSE (33-310-01 TO 23-310-01) PER ECO E101
	04/07/94	SWR	CHANGED C4 TO 10-332-01 .0033 UL PER ECO #E120
	08/09/93	SWR	CHANGED P/N FOR PARTS J1 & J2.

DATE:	03/11/93
SIGNATURES:	
DRAWN:	ERW
CHK'D:	GM
APP'D:	GM
ORIGINAL ISSUED:	8/9/93
PLOT DATE:	11/13/97
DRAWING NO.:	07P319-03
FILE NAME:	31903P8
SCALE:	1:1
SHEET:	1 OF 1

PROJECT NAME:

SVT-2 PRO

DRAWING NAME:

AC-TERM BRD.

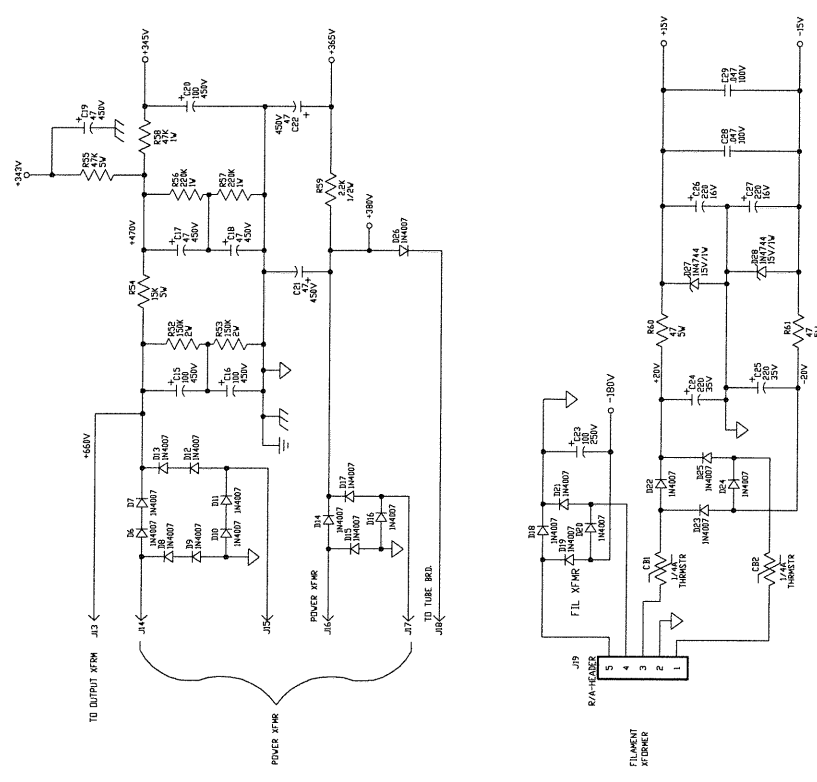
DRAWING NO.:

07P319-03

REV.:

8

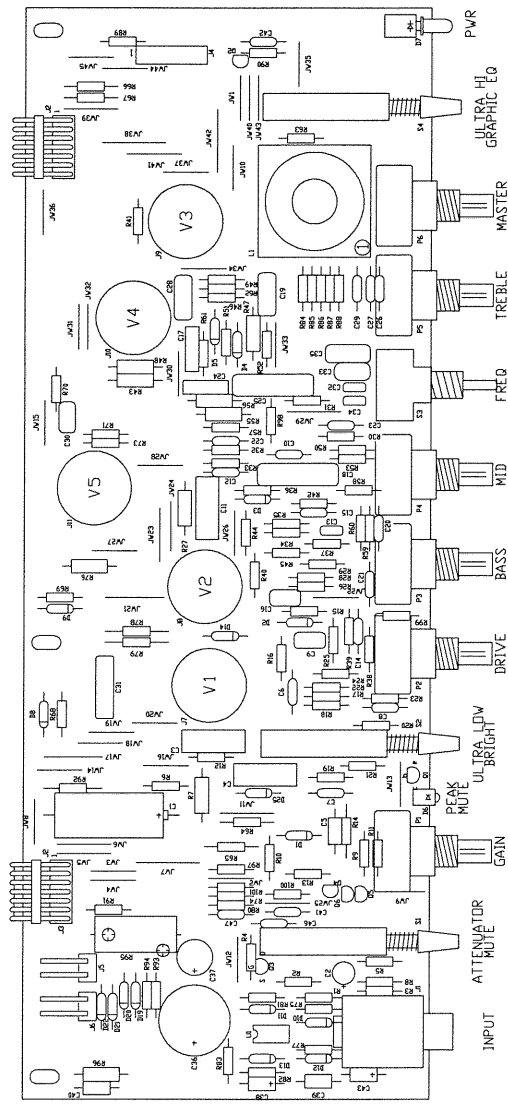
11880 BORMAN DR.
ST. LOUIS, MISSOURI
63146



- NOTES
- 1) CAUTION- SHOCK HAZARD! THIS UNIT CONTAINS HAZARDOUS VOLTAGE. DISCONNECT POWER AND BE SURE POWER SUPPLY IS DISCHARGED BEFORE TOUCHING INTERNAL PARTS.
 - 2) UNLESS NOTED, RESISTOR VALUES IN OHMS, 1/4W-5% TOL. CAPACITOR VALUES IN MICROFARADS, 50V-10% TOL.
 - 3) VOLTAGES ARE MEASURED WITH 1 MEGOHM OSCILLOSCOPE AND 10 MEGOHM DIGITAL VOLTMETER.
 - 4) VOLTAGES IN RECTANGLES ARE RMS SIGNAL VOLTAGES WITH 0.4V IN.
 - 5) OTHER VOLTAGES ARE D.C. IN CONDITIONS STATED.
 - 6) CIRCUIT GROUND ∇ DIRTY GROUND ∇ CHASSIS GROUND ∇

THIS SHEET REPRESENTS
PART NO. 075419-12

B	7-28-00	CHANGED EFFECTS LABEL	0000684	RLB	
A	4-11-00	INITIAL ISSUE	0000624		
REV	DATE:	DESCRIPTION	ECO/EDA MGR	CHK'D BY:	DATE:
		CONTAINING ON THIS DRAWING IS PROPRIETARY TO THE INFORMATION			
DRW	RLB	DATE	11-8-99	SIGNATURES:	11/8/99
CHK'D:	RLB	DATE	11-8-99	BY:	11/8/99
REV'D:		FIRST USED ON:			
TOLERANCES:		DRAWING TITLE:	SVI-2PRO		
		DRAWING TYPE:	SCHEMATIC		
		CLASS CODE:	D		
		SCALE:	NONE		
		SHEET:	4	OF:	4
		DRAWING NO.:	075419-XX		

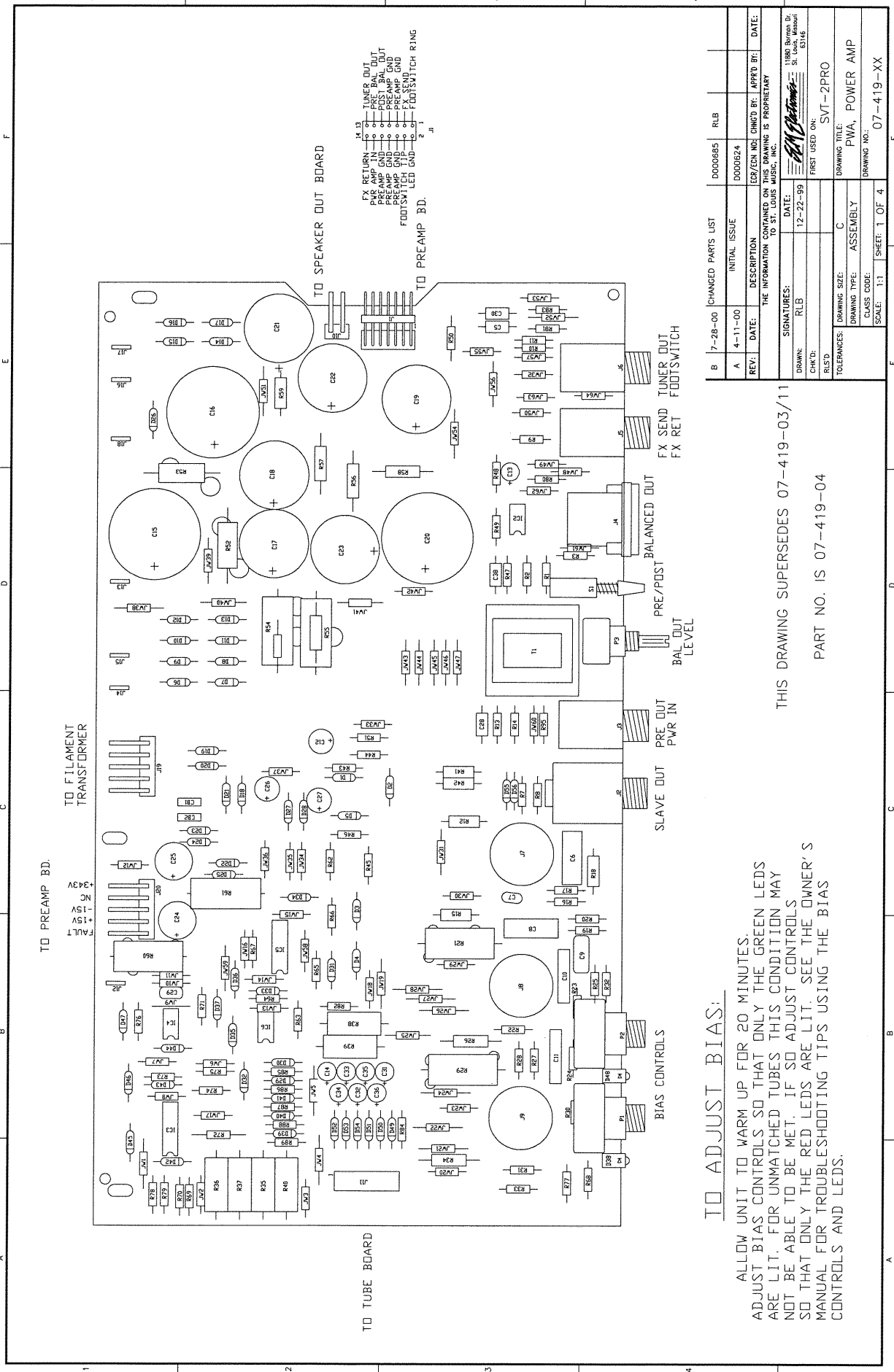


3	06/18/94	LMA	76-000-01 TO -05 PER E150	
2	10/29/93	SWR	CHANGED P/N FOR S1, S2, & S4	
1	08/30/93	SWR	ADDED 68-935-01 LED MOUNT TO PARTS LIST	
REV	DATE	BY	CHK'D	DESCRIPTION
SIGNATURES:			DATE:	
DRAWN: ERW			3/30/93	
CHK'D:				
APP'D:				
ORIGINAL ISSUED:				
PLOT DATE:			05/18/94	
PLOT TIME:			08:50:58	
FILE NAME:			51903P3Z	
				11860 BORMAN DR. ST. LOUIS, MISSOURI 63146
				PROJECT NAME: SVT-2 PRO
				DRAWING NAME: PRE AMP PICTORIAL
				DRAWING NO. 07P519-03 REV. 3
				SCALE: 1:1 SHEET: 1 OF 2

DES.	PART #	DESCRIPTION	J8	17-450-09	TUBE SOCKET	R56	77-823-01	82K	1/2W	2S1	88-303-02	4PDT SWITCH
C1	12-106-91	10	J9	17-450-09	TUBE SOCKET	R57	76-153-01	15K		2S2	88-303-02	4PDT SWITCH
C2	12-226-32	35V	J10	17-450-09	TUBE SOCKET	R58	76-222-01	2.2K		2S3	88-108-01	5 PDS. SWITCH
C3	10-104-10	0.1	J11	17-450-09	TUBE SOCKET	R59	76-124-01	120K		2S4	88-303-02	4PDT SWITCH
C4	10-104-10	0.1	L1	94-602-32	800MH TAPPED	R60	76-224-01	220K		U1	37-072-01	TLD72
C5	10A104-01	0.1	P1	70-254-15	250KA	R61	76-105-01	1M		V1	97-927-02	12AX7 PREMIUM
C6	10A221-11	220pf	P2	70-254-15	250KA	R62	76-223-01	22K		V2	97-927-01	12AX7
C7	10A471-21	470pf	P3	70-103-12	1MA	R63	76-105-01	1M		V3	97-927-01	12AX7
C8	10A472-11	0.0047	P4	70-503-17	50KL	R64	76-152-01	1.5K		V4	95-126-01	12AX7
C9	10-104-03	0.1	P5	70-103-12	1MA	R65	76-105-01	1M		V5	97-927-01	12AX7
C10	10A153-01	0.015	P6	70-254-15	250KA	R66	76-104-01	100K		PCB1	06A519-03	PC BOARD
C11	10-104-10	0.1	Q1	96-013-01	MPSA13	R67	76-105-01	1M		AJW1-JW45	76-000-05	JUMPER
C12	10A472-11	0.0047	Q2	96-510-01	2N5210	R68	76-254-01	220K		①68-935-01	LED MOUNT (FOR D7)	
C13	10-333-02	0.033	Q3	96-510-01	2N5210	R69	76-473-01	47K				
C14	10A102-11	0.001	Q4	96-510-01	J176	R70	76-474-01	470K				
C15	10A221-11	220pf	Q5	96-510-01	2N5210	R71	76-332-01	3.3K				
C16	10-104-03	0.1	Q6	96-510-01	2N5210	R72	76-105-01	1M				
C17	10-223-10	0.022	R1	76-473-01	47K	R73	76-332-01	3.3K				
C18	10-684-21	0.68	R2	76-273-01	27K	R74	76-104-01	100K				
C19	10-104-21	0.1	R3	76-335-01	3.3M	R75	76-222-01	2.2K				
C20	10A102-11	0.001	R4	76-104-01	100K	R76	76-223-01	22K				
C21	10A103-11	0.01	R5	76-104-01	100K	R77	76-223-01	22K				
C22	10A102-11	0.001	R6	76-104-01	100K	R78	76-333-01	33K				
C23	10A471-21	470pf	R7	76-104-01	100K	R79	76-105-01	1M				
C24	10-223-10	0.022	R8	76-104-01	100K	R80	76-104-01	100K				
C25	10-684-21	0.68	R9	76-472-01	4.7K	R81	76-222-01	2.2K				
C26	10A150-21	15pf	R10	76-104-02	100K	R82	76-222-01	2.2K				
C27	10A101-21	100pf	R11	76-152-01	1.5K	R83	76-474-01	470K				
C28	10-224-03	0.22	R12	76-473-01	47K	R84	76-474-01	470K				
C29	10A472-11	0.0047	R13	76-105-01	1M	R85	76-474-01	470K				
C30	10-104-03	0.1	R14	76-473-01	47K	R86	76-474-01	470K				
C31	10-224-03	0.22	R15	76-105-01	1M	R87	76-474-01	470K				
C32	10-333-02	0.033	R16	76-223-01	22K	R88	76-474-01	470K				
C33	10-154-02	0.15	R17	76-472-01	4.7K	R89	76-332-01	3.3K				
C34	10-333-02	0.033	R18	76-473-01	47K	R90	76-105-01	1M				
C35	10-224-03	0.22	R19	76-105-01	1M	R91	76-471-01	470				
C36	12-228-26	2200	R20	76-473-01	47K	R92	76-471-01	470				
C37	12-108-12	16V	R21	76-105-01	1M	R93	76-221-01	220				
C38	12A106-11	10uf	R22	76-473-01	47K	R94	76-221-01	220				
C39	10A473-11	0.047	R23	76-335-01	3.3M	R95	78-050-05	5	SW			
C40	10A473-11	0.047	R24	76-224-01	220K	R96	77-101-01	100	1/2W			
C41	10A223-01	0.022	R25	76-224-01	220K	R97	76-474-01	470K				
C42	10A223-01	0.022	R26	76-335-01	3.3M	R98	76-682-01	6.8K				
C43	12A106-11	10uf	R27	76-274-01	270K	R99	76-223-01	22K				
C44	10A223-01	0.022	R28	76-154-01	150K	R100	76-105-01	1M				
C45	10A223-01	0.022	R29	76-224-01	220K	R101	76-473-01	47K				
D1	21A914-01	1N914	R30	77-104-02	100K							
D2	21A914-01	1N914	R31	76-152-01	1.5K							
D3	21A914-01	1N914	R32	76-472-01	4.7K							
D4	21A914-01	1N914	R33	76-152-01	1.5K							
D5	21A914-01	1N914	R34	76-104-01	100K							
D6	21-501-01	RED	R35	76-105-01	1M							
D7	21-591-01	RED/GRN	R36	76-105-01	1M							
D8	21A914-01	1N914	R37	76-154-01	150K							
D9	21A914-01	1N914	R38	76-154-01	150K							
D10	21A914-01	1N914	R39	76-473-01	47K							
D11	21A914-01	1N914	R40	76-274-01	270K							
D12	21A914-01	1N914	R41	76-183-01	18K							
D13	21A914-01	1N914	R42	76-104-01	100K							
D14	21A914-01	1N914	R43	76-473-01	47K							
D19	21A402-01	1N4002	R44	76-474-01	4.7K							
D20	21A402-01	1N4002	R45	76-472-01	4.7K							
D21	21A402-01	1N4002	R46	77-224-02	221K							
D22	21A402-01	1N4002	R47	76-561-01	560							
D25	21A914-01	1N914	R48	76-103-01	10K							
J1	39-119-01	T/S	R49	76-103-01	10K							
J2	17-101-14	14PIN HEADER	R50	77-224-02	221K							
J3	17-101-14	14PIN HEADER	R51	76-103-01	10K							
J4	17-310-05	SPIN HEADER	R52	76-222-01	2.2K							
J5	17-311-02	2PIN R/A-HEADER	R53	76-333-01	3.3K							
J6	17-311-02	2PIN R/A-HEADER	R54	76-105-01	1M							
J7	17-450-09	TUBE SOCKET	R55	77-683-01	68K							

3	06/18/94	LMA	76-000-01 TO -05 PER E150
2	10/29/93	SWR	CHANGED P/N FOR S1, S2, & S4
1	08/30/93	SWR	ADDED 68-935-01 LED MOUNT TO PARTS LIST
REV	DATE	BY	DESCRIPTION
SIGNATURES: _____			
DRAWN: ERW			
CHK'D: _____			
APP'D: _____			
ORIGINAL ISSUED: _____			
PLOT DATE: 05/18/94			
PLOT TIME: 08:50:58			
FILE NAME: 51903P3Z			
DATE: 3/31/93			
PROJECT NAME: SVT-2 PRO			
DRAWING NAME: PRE AMP PICTORIAL			
DRAWING NO. 07P519-03			
SCALE: 1:1			
SHEET: 2 OF 2			

1880 BORMAN DR.
ST. LOUIS, MISSOURI
63146



TO ADJUST BIAS:

ALLOW UNIT TO WARM UP FOR 20 MINUTES.
 ADJUST BIAS CONTROLS SO THAT ONLY THE GREEN LEADS
 ARE LIT. FOR UNMATCHED TUBES THIS CONDITION MAY
 NOT BE ABLE TO BE MET. IF SO ADJUST CONTROLS
 SO THAT ONLY THE RED LEADS ARE LIT. SEE THE OWNER'S
 MANUAL FOR TROUBLESHOOTING TIPS USING THE BIAS
 CONTROLS AND LEADS.

THIS DRAWING SUPERSEDES 07-419-03/11

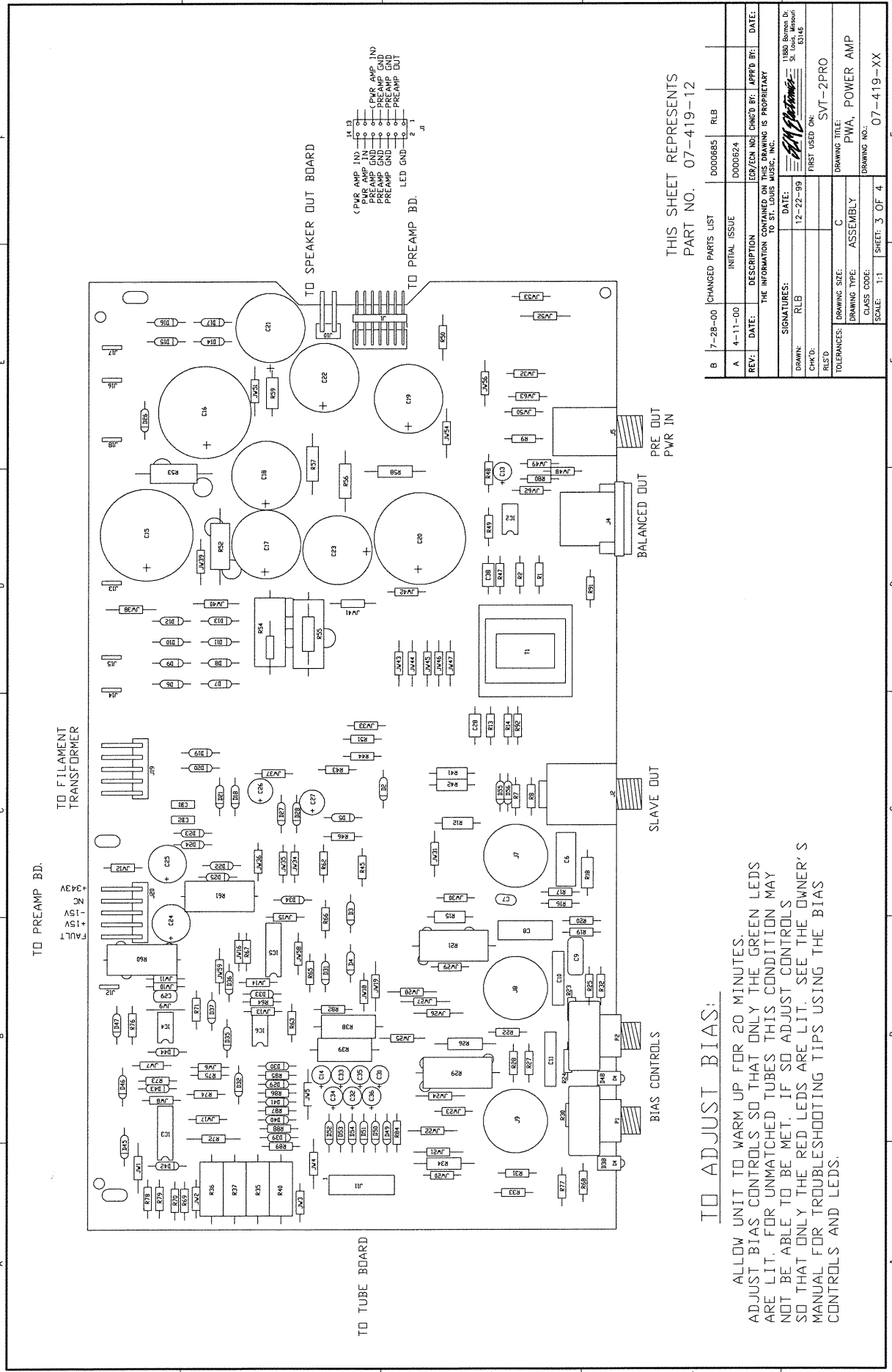
PART NO. IS 07-419-04

REV:	DATE:	DESCRIPTION:	CHANGED PARTS LIST:
A	4-11-00	INITIAL ISSUE	
B	7-28-00	CHANGED PARTS LIST	

ECR/CDN NO.:	CHNGD BY:	APPRD BY:	DATE:
0000624			

THE INFORMATION CONTAINED ON THIS DRAWING IS PROPRIETARY TO S.L. LOUIS MUSIC, INC.	
SIGNATURES:	DATE:
RLB	12-22-99
CHK'D:	
RLS'D:	
TOLERANCES:	DRAWING SIZE:
ASSEMBLY	C
CLASS CODE:	
SCALE: 1:1	SHEET: 1 OF 4

DO000665	RLB
0000624	
DATE:	12-22-99
FIRST USED ON:	SVT-2PRO
DRAWING TITLE:	PWA, POWER AMP
DRAWING NO.:	07-419-XX



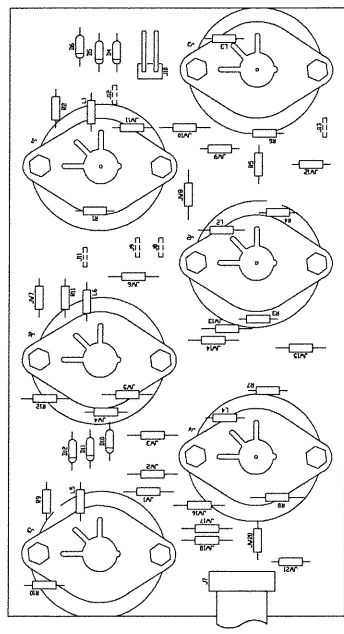
TO ADJUST BIAS:

ALLOW UNIT TO WARM UP FOR 20 MINUTES.
 ADJUST BIAS CONTROLS SO THAT ONLY THE GREEN LEDS
 ARE LIT. FOR UNMATCHED TUBES THIS CONDITION MAY
 NOT BE ABLE TO BE MET. IF SO ADJUST CONTROLS
 SO THAT ONLY THE RED LEDS ARE LIT. SEE THE OWNER'S
 MANUAL FOR TROUBLESHOOTING TIPS USING THE BIAS
 CONTROLS AND LEDS.

THIS SHEET REPRESENTS
 PART NO. 07-419-12

B	7-28-00	CHANGED PARTS LIST	D000685	RLB
A	4-11-00	INITIAL ISSUE	D000624	
REV:	DATE:	DESCRIPTION	ESR/CON USE CHANGED BY:	APPROV BY:
		THE INFORMATION CONTAINED ON THIS DRAWING IS PROPRIETARY TO ST. LOUIS MUSIC, INC.		DATE:
SIGNATURES:		DATE:	DRAWING TITLE:	
DRAWING: RLB		12-22-99	PWA, POWER AMP	
CHK'D:			DRAWING NO.:	
RLS'D:			07-419-XX	
TOLERANCES:			SCALE: 1:1	
DRAWING SIZE:			SHEET: 3 OF 4	
DRAWING TYPE:			FIRST USED ON:	
CLASS CODE:			SVT-2PRO	
SCALE:			DRAWING NO.:	
			07-419-XX	

A B C D E



DESIGNATOR	PART #	DESCRIPTION	QTY
D4	21A407-01	1N4007	4
D5	21A407-01	1N4007	4
D6	21A407-01	1N4007	4
D10	21A407-01	1N4007	4
D11	21A407-01	1N4007	4
D12	21A407-01	1N4007	4
J1	17-450-04	TUBE SOCKET	1
J2	17-450-04	TUBE SOCKET	1
J3	17-450-04	TUBE SOCKET	1
J4	17-450-04	TUBE SOCKET	1
J5	17-450-04	TUBE SOCKET	1
J6	17-450-04	TUBE SOCKET	1
J7	99-135-11	RIBBON CABLE	1
J8	17-836-01	TAB	1
J9	17-836-01	TAB	1
J10	17-311-02	2PIN R/A-HEADER	1
J11	17-836-01	TAB	1
J12	17-836-01	TAB	1
J13	17-836-01	TAB	1
V1	97-950-01	GRADED 6S50A TUBE	1
V2	97-950-01	GRADED 6S50A TUBE	1
V3	97-950-01	GRADED 6S50A TUBE	1
V4	97-950-01	GRADED 6S50A TUBE	1
V5	97-950-01	GRADED 6S50A TUBE	1
V6	97-950-01	GRADED 6S50A TUBE	1
JW1-18	76-000-05	JUMPER	1
JW20-21	76-000-05	JUMPER	1
L1	94A001-01	FERRITE BEAD	1
L2	94A001-01	FERRITE BEAD	1
L3	94A001-01	FERRITE BEAD	1
L4	94A001-01	FERRITE BEAD	1
L5	94A001-01	FERRITE BEAD	1
L6	94A001-01	FERRITE BEAD	1
B1	76-473-01	47K	1
B2	76-221-03	220 1/2W FP	1
B3	76-473-01	47K	1
B4	76-221-03	220 1/2W FP	1
B5	76-473-01	47K	1
B6	76-221-03	220 1/2W FP	1
B7	76-473-01	47K	1
B8	76-221-03	220 1/2W FP	1
B9	76-473-01	47K	1
B10	76-221-03	220 1/2W FP	1
B11	76-473-01	47K	1
B12	76-221-03	220 1/2W FP	1
PCB1	06A419-41	PC BOARD	1
(12)	30-700-01	6-32 HEX NUT ASSY.	12
(12)	85-125-01	6-32x1/2" ALUM M/F HEX STNDDFF	12
(1)	51-406-72	PLATE	1
(6)	51-032-01	TUBE RETAINER	6

REV	DATE	BY	CHK'D	DESCRIPTION
5	11/14/00	WFB		CHSS PER MDP435 DEL 6 DIODES, CHG VAL 6 RESISTORS MOVED 30-637-02 TO FINAL ASSEMBLY PER ECO 980466.
4	07/27/98	MAG		
3	08/30/96	LMA		DEL 30-637-01(12) ADD 30-637-02(12) E960333
2	05/16/94	LMA		76-000-01 TO -05 PER E150
1	12-09-93	ERW		CHANGED J1 - J6 TO 17-450-04.

SIGNATURES:	DATE:
DRAWN: ERW	3/29/93
CHK'D:	
APP'D:	
ORIGINAL ISSUED:	
PLOT DATE:	08/14/98
PLOT TIME:	14:00:39
FILE NAME:	41941p5-

PROJECT NAME:	SVT-2 PRO
DRAWING NAME:	TUBE BRD. PICTORIAL
REV. 5	DRAWING NO. 07P419-41
SCALE: NONE	SHEET: 1 OF 1

1 2 3 4