

**TEST POINT CONDITIONS**

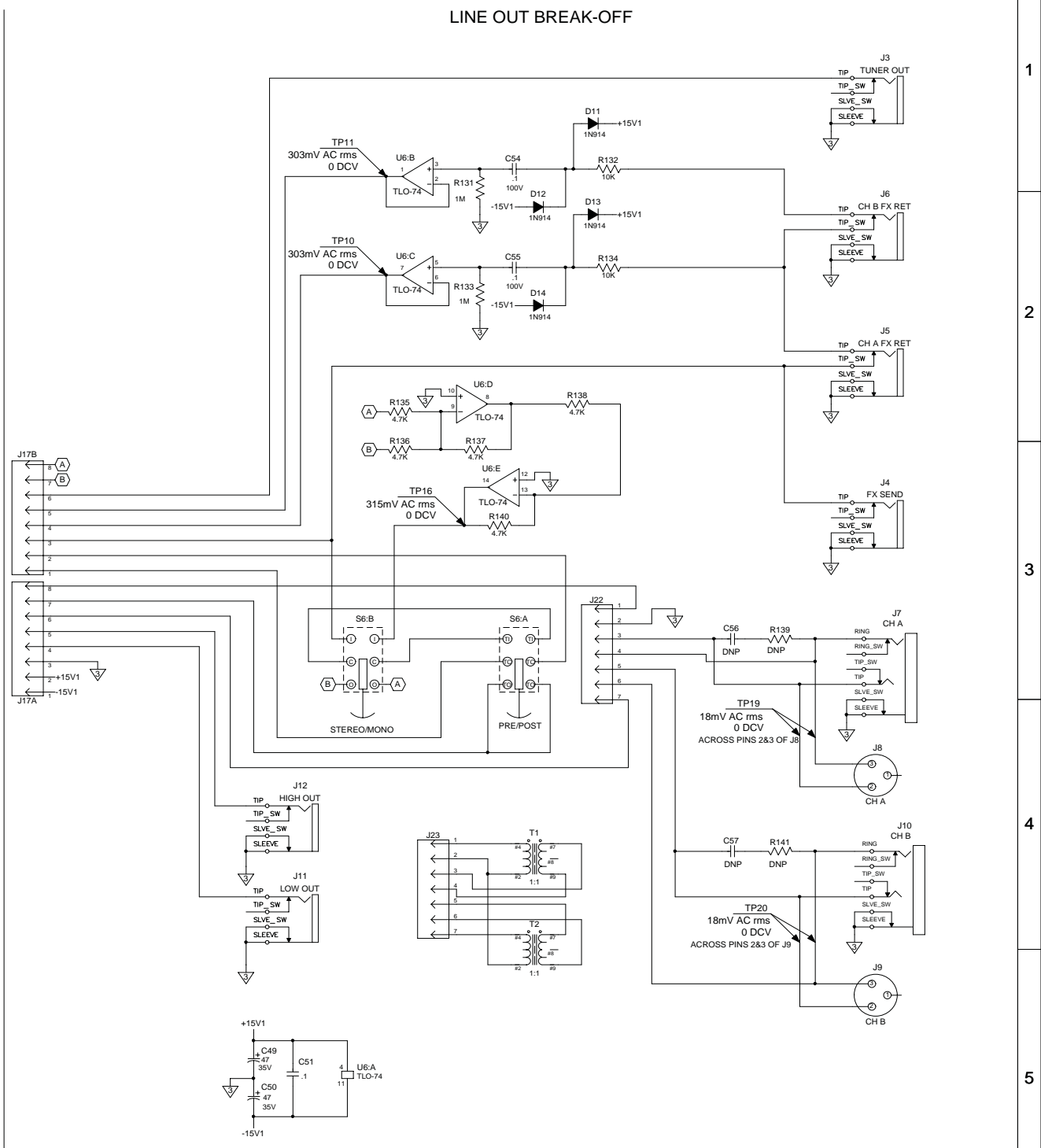
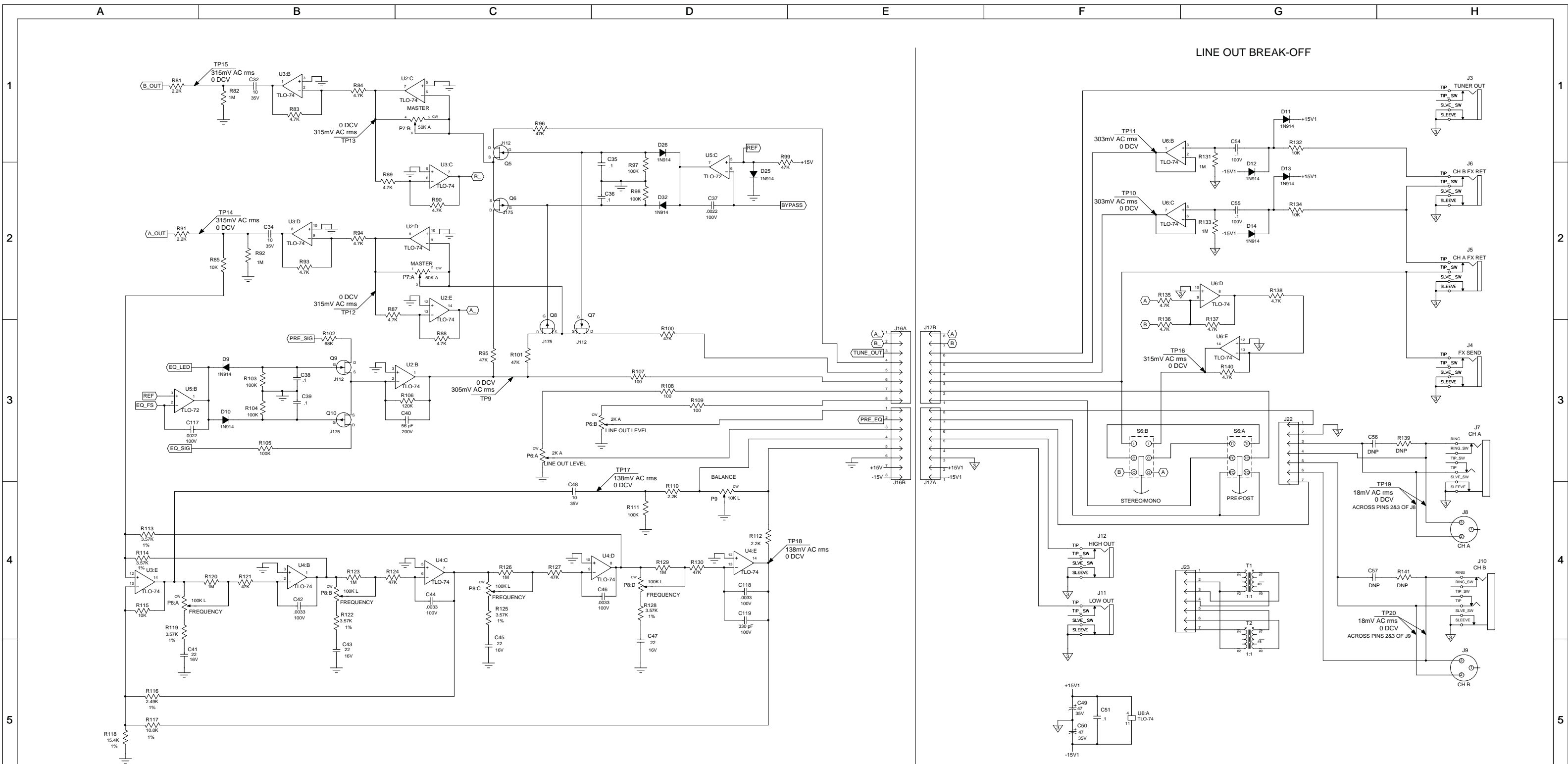
- 1 INPUT SIGNAL 20mV(rms) @ 1kHz
- 2 GAIN, MASTER, LINE OUT LEVEL. FREQ @ "10"
- 3 COMPRESSION @ "0", TONES @ "5"
- 4 ALL BUTTONS OUT

FOR ASSEMBLY 07-539-05

**CAUTION:**  
THIS SCHEMATIC IS PROVIDED FOR USE BY QUALIFIED PERSONNEL. TO AVOID RISK OF ELECTRIC SHOCK, REFER SERVICING TO QUALIFIED SERVICE PERSONNEL. DO NOT PERFORM ANY SERVICING BEYOND THAT EXPLAINED IN THE OPERATING INSTRUCTIONS.

**NOTES:**  
1) CAUTION: SHOCK HAZARD!! THIS UNIT CONTAINS HAZARDOUS VOLTAGE. DISCONNECT POWER AND BE SURE POWER SUPPLY IS DISCHARGED BEFORE TOUCHING INTERNAL PARTS.  
2) UNLESS NOTED, RESISTOR VALUES IN OHMS, 1/4W-5% TOL. CAPACITOR VALUES IN MICROFARADS, 50V-10% TOL.  
3) VOLTAGES ARE MEASURED WITH 1 MEGOHM OSCILLOSCOPE AND 10 MEGOHM DIGITAL VOLTMETER.

0	08/17/04	CONTROL ISSUE			
REV	Date	DESCRIPTION	Ecr(s)/Ecn(s)	Chgd By	Appvd by
THE INFORMATION CONTAINED ON THIS DRAWING IS PROPRIETARY TO ST. LOUIS MUSIC, INC.					
<b>Signatures:</b>		<b>Date:</b>		 1901 Congressional, St. Louis, MO 63146	
Drawn: WFB		08/18/04			
Checked:			First Used On:		
Released:			Drawing Title:		
Plot Date: Mon Aug 23, 2004		Drawing Size: C		Drawing Number:	
Plot Time: 08:31:08		Drawing Type: Schematic		<b>BASS PREAMP</b>	
Tolerance:		Class Code: NONE			
		Sheet 1 of 3		07S539	



TEST POINT CONDITIONS  
 1 INPUT SIGNAL 20mV(rms) @ 1kHz  
 2 GAIN, MASTER, LINE OUT LEVEL. FREQ @ "10"  
 3 COMPRESSION @ "0" , TONES @ "5"  
 4 ALL BUTTONS OUT

FOR ASSEMBLY 07-539-05

CAUTION:  
 THIS SCHEMATIC IS PROVIDED FOR USE BY QUALIFIED PERSONNEL.  
 TO AVOID RISK OF ELECTRIC SHOCK, REFER SERVICING TO QUALIFIED  
 SERVICE PERSONNEL. DO NOT PERFORM ANY SERVICING BEYOND  
 THAT EXPLAINED IN THE OPERATING INSTRUCTIONS.

NOTES:  
 1) CAUTION: SHOCK HAZARD!!  
 THIS UNIT CONTAINS HAZARDOUS VOLTAGE. DISCONNECT POWER  
 AND BE SURE POWER SUPPLY IS DISCHARGED BEFORE  
 TOUCHING INTERNAL PARTS.  
 2) UNLESS NOTED, RESISTOR VALUES IN OHMS, 1/4W-5% TOL.  
 CAPACITOR VALUES IN MICROFARADS, 50V-10% TOL.  
 3) VOLTAGES ARE MEASURED WITH 1 MEGOHM OSCILLOSCOPE  
 AND 10 MEGOHM DIGITAL VOLTMETER.

0	08/17/04	CONTROL ISSUE				
REV	Date	DESCRIPTION	Ecr(s)/Ecr(s)	Chgd By	Appvd by	Date
THE INFORMATION CONTAINED ON THIS DRAWING IS PROPRIETARY TO ST. LOUIS MUSIC, INC.						
Signatures:		Date:				
Drawn: WFB		08/18/04	1901 Congressional, St. Louis, MO 63146			
Checked:		First Used On:				
Released:						
Plot Date: Mon Aug 23, 2004		Drawing Size: D		Drawing Title: BASS PREAMP		
Plot Time: 08:31:10		Drawing Type: Schematic		Drawing Number: 07S539		
Tolerance:		Class Code: NONE		Sheet 2 of 3		

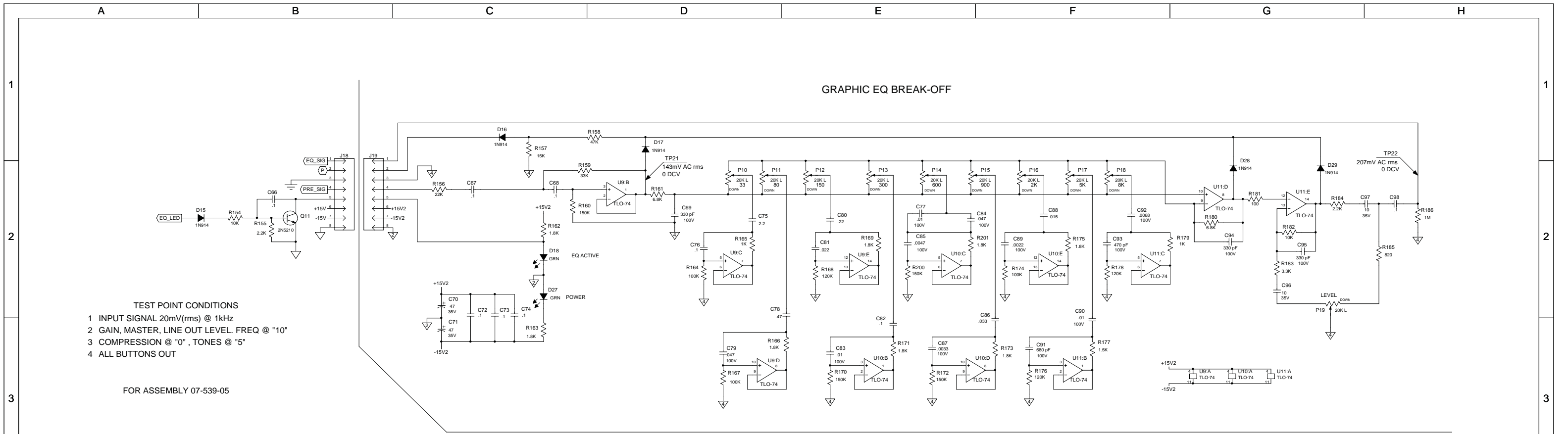


SVT-4PRO

©2007 LOUD Technologies Inc. All rights reserved

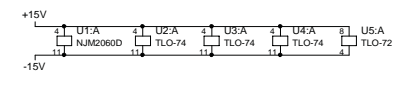
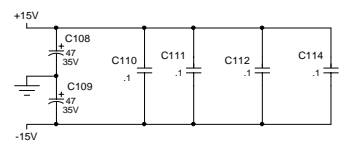
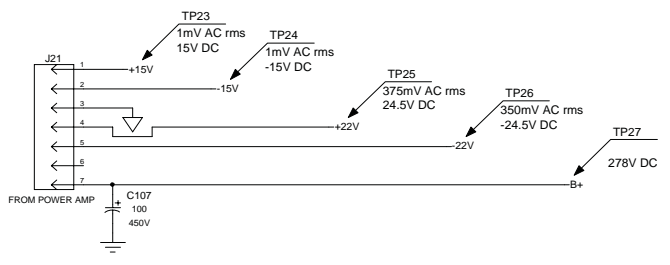
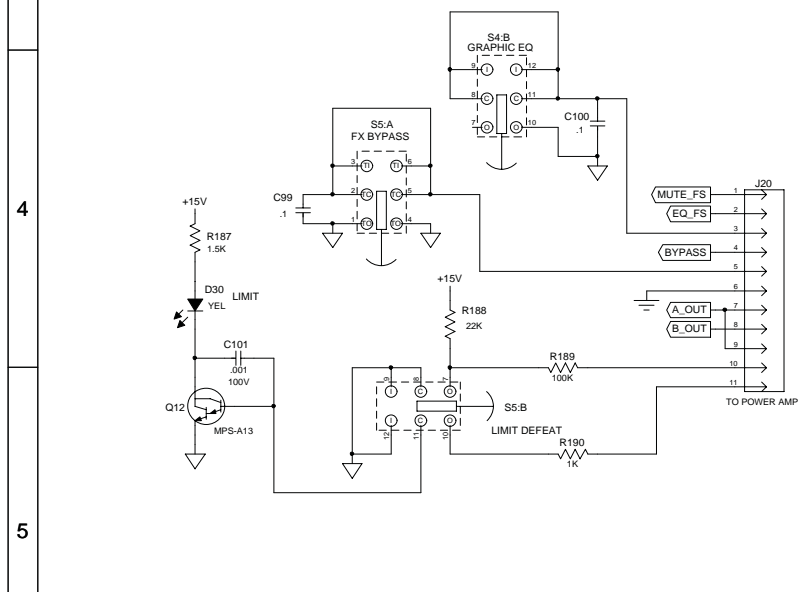
Bass Preamp PCB Schematics

PAGE 2



**TEST POINT CONDITIONS**  
 1 INPUT SIGNAL 20mV(rms) @ 1kHz  
 2 GAIN, MASTER, LINE OUT LEVEL. FREQ @ "10"  
 3 COMPRESSION @ "0", TONES @ "5"  
 4 ALL BUTTONS OUT

FOR ASSEMBLY 07-539-05



**CAUTION:**  
 THIS SCHEMATIC IS PROVIDED FOR USE BY QUALIFIED PERSONNEL.  
 TO AVOID RISK OF ELECTRIC SHOCK, REFER SERVICING TO QUALIFIED  
 SERVICE PERSONNEL. DO NOT PERFORM ANY SERVICING BEYOND  
 THAT EXPLAINED IN THE OPERATING INSTRUCTIONS.

**NOTES:**  
 1) CAUTION: SHOCK HAZARD!!  
 THIS UNIT CONTAINS HAZARDOUS VOLTAGE. DISCONNECT POWER  
 AND BE SURE POWER SUPPLY IS DISCHARGED BEFORE  
 TOUCHING INTERNAL PARTS.  
 2) UNLESS NOTED, RESISTOR VALUES IN OHMS, 1/4W-5% TOL.  
 CAPACITOR VALUES IN MICROFARADS, 50V-10% TOL.  
 3) VOLTAGES ARE MEASURED WITH 1 MEGOHM OSCILLOSCOPE  
 AND 10 MEGOHM DIGITAL VOLTMETER.

0	08/17/04	CONTROL ISSUE				
REV	Date	DESCRIPTION	Ecr(s)/Ecn(s)	Chgd By	Appvd by	Date
THE INFORMATION CONTAINED ON THIS DRAWING IS PROPRIETARY TO ST. LOUIS MUSIC, INC						
Signatures:		Date:				
Drawn: WFB		08/18/04	1901 Congressional, St. Louis, MO 63146			
Checked:		First Used On:				
Released:						
Plot Date: Mon Aug 23, 2004		Drawing Size: D		Drawing Title: BASS PREAMP		
Plot Time: 08:31:19		Drawing Type: Schematic		Drawing Number: 07S539		
Tolerance:		Class Code: NONE		Sheet 3 of 3		