

BIAS ADJUSTMENT: WITH NO SIGNAL AND NO LOAD  
 ADJUST AP101 TO OBTAIN AN AVERAGE OF 25 ± 5mV ACROSS R139, 140  
 R146, 147, 152, 153, 158, 159, 164, 165.  
 ADJUST AP201 TO OBTAIN AN AVERAGE OF 25 ± 5mV ACROSS R239, 240  
 R246, 247, 252, 253, 258, 259, 264, 265.

T.P.	NO SIGNAL	40URMS OUT @ 8 OHMS	LIMITING @ 8 OHMS	AS NOTED	WAVEFORM
1		0.68Urms	0.79Urms		~
2		0.68Urms	0.79Urms		~
3	+/-20mVdc	1.5V	1.5V		~
4	+/-1Vdc	2.6Vdc	2.6Vdc		AS SHOWN PER COLUMN
5	+7mVdc	1.9mV	2.7mV		
6	+5Vdc	+4.82Vdc	+4.82Vdc		
7	-5Vdc	-5.12Vdc	-5.12Vdc		
8	0V	+43.6mVdc	+74mVdc		~

- NOTES:
- 1) THIS UNIT CONTAINS HAZARDOUS VOLTAGE. DISCONNECT POWER AND BE SURE POWER SUPPLY IS DISCHARGED BEFORE TOUCHING INTERNAL PARTS.
  - 2) UNLESS NOTED, RESISTOR VALUES IN OHMS, 1/4W-5% TOL. CAPACITOR VALUES IN MICROFARADS, 50V-10% TOL.
  - 3) VOLTAGES ARE MEASURED WITH 1 MEGOHM OSCILLOSCOPE AND 10 MEGOHM DIGITAL VOLTMETER.

CAUTION:  
 THIS SCHEMATIC IS PROVIDED FOR USE BY QUALIFIED PERSONNEL. TO AVOID RISK OF ELECTRIC SHOCK, REFER SERVICING TO QUALIFIED SERVICE PERSONNEL. DO NOT PERFORM ANY SERVICING BEYOND THAT EXPLAINED IN THE OPERATING INSTRUCTIONS.

SHEETS 1, 2 & 3 OF THIS DRAWING REPRESENT  
 ASSY P/N 07-442-03

REV:	DATE:	DESCRIPTION:	ECR/ECN NO:	CHG'D BY:	APP'D BY:	DATE:
4	1/08/03	DRAWING CORRECTION ADDED MISSING LINES +22U-L-22U-SHEET_3		N81075	REM	
3	5/30/01	ADDED SHTS 7, 8, 9 TO CREATE NEW VERSION SUBPLOT P/N 07-442-03		N80597	REM	
2	9-28-00	REMOVED TWO WIRE SEGMENTS SCHEMATIC DOCUMENTATION ERROR		N80413	ALB	
1	11-30-99	CHANGED TO -03/-11 VERSIONS			ALB	
0		CONTROL ISSUE				

THIS INFORMATION CONTAINED ON THIS DRAWING IS PROPRIETARY TO ST. LOUIS MUSIC, INC.

SIGNATURES:		DATE:	11800 Borman Dr. St. Louis, Missouri 63146
DRAWN: REM		6-25-98	
CHK'D:		FIRST USED ON:	B-4R_BASS_AMP
ALS'D:		DRAWING TITLE:	POWER_AMP
TOLERANCES:	DRAWING SIZE: D	DRAWING NO.:	07S442-XX
	DRAWING TYPE: - SCHEMATIC		
	CLASS CODE:		
	SCALE: NONE	SHEET: SHT 1 OF 9	

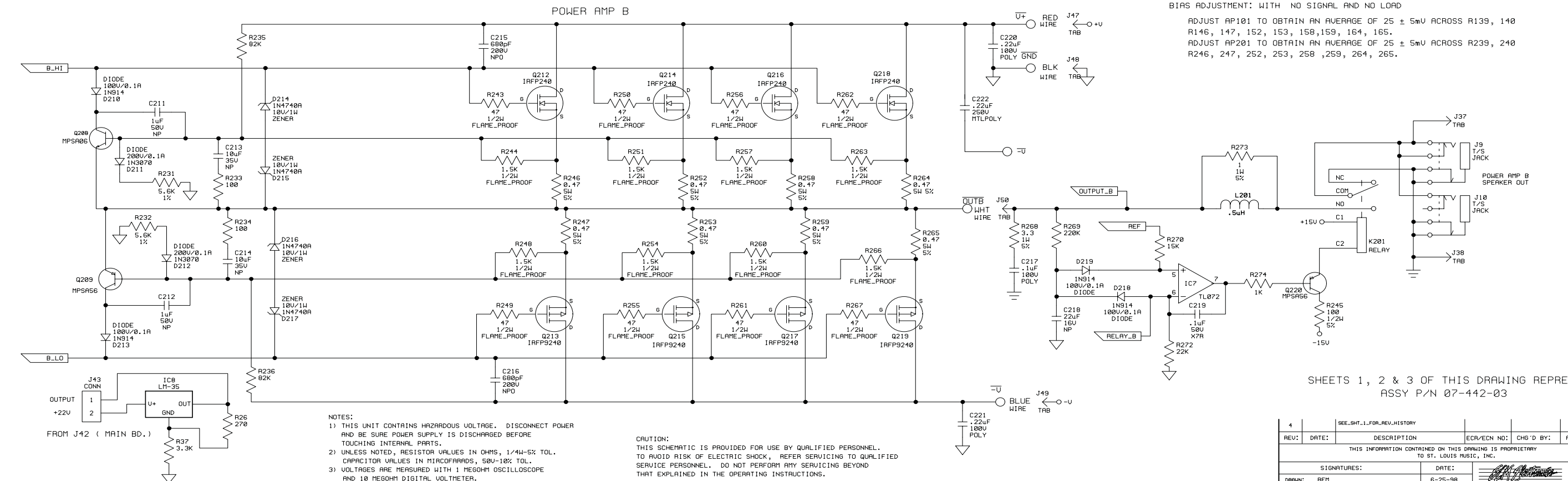
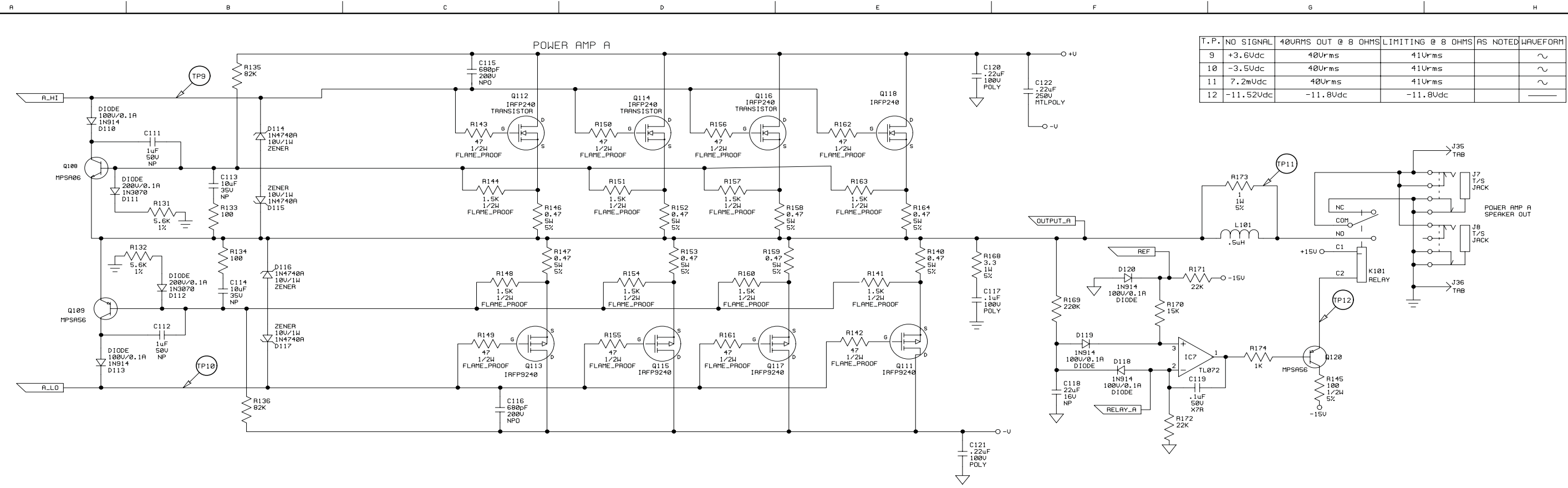


SVT-5PRO

©2007 LOUD Technologies Inc. All rights reserved

Power Amplifier PCB Schematics

PAGE 1



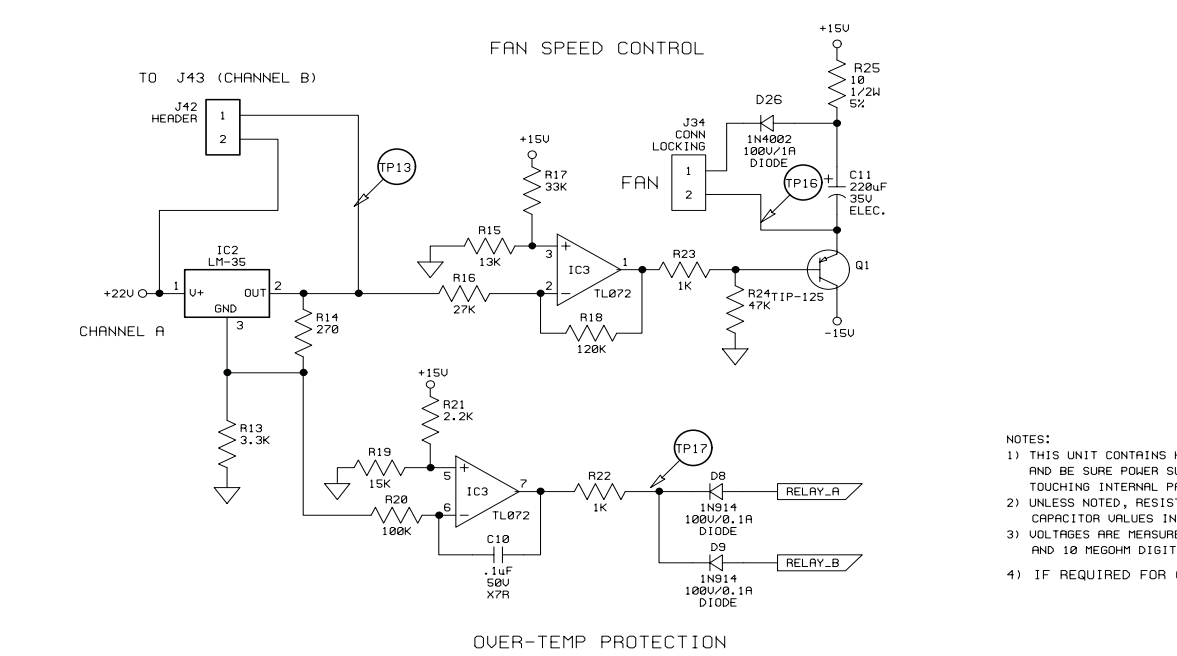
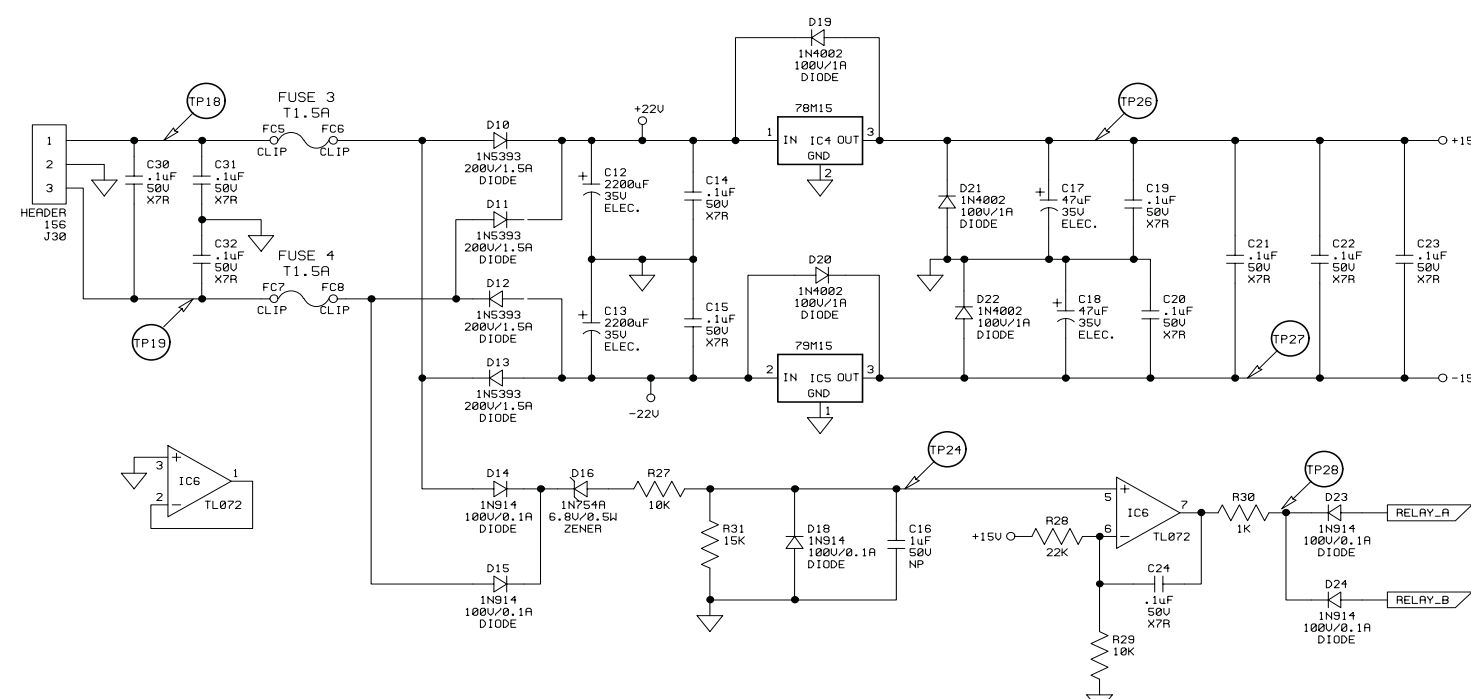
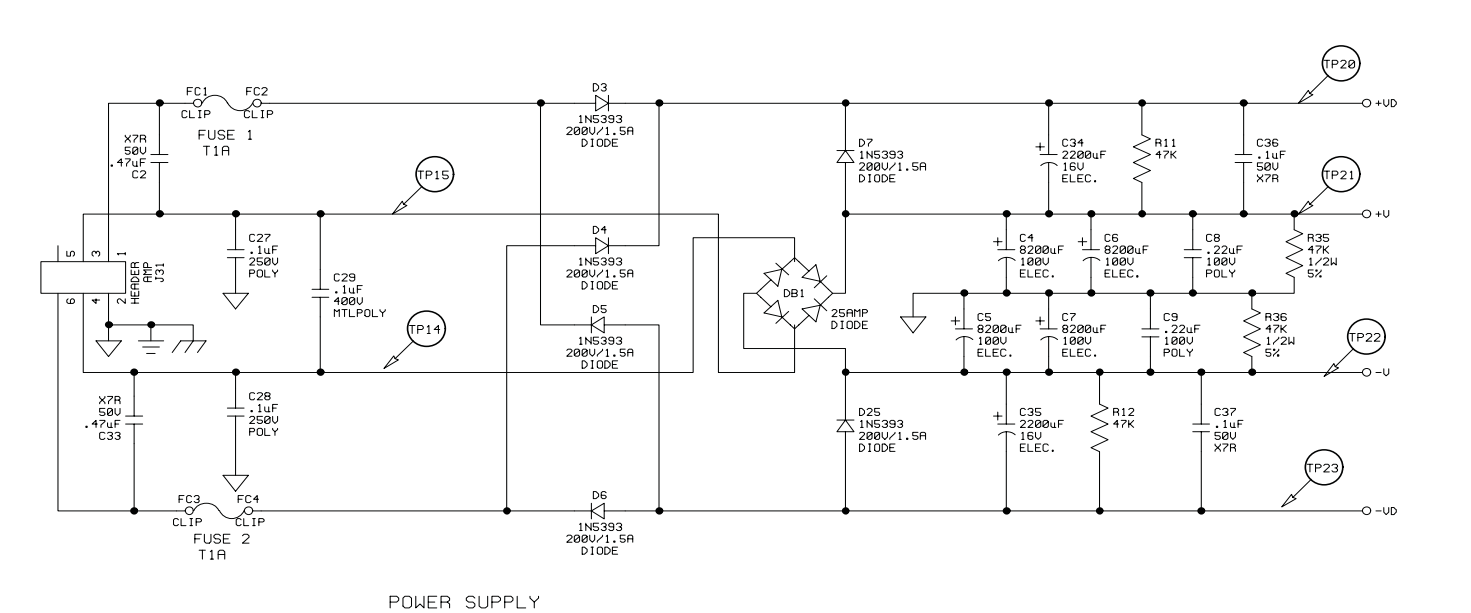
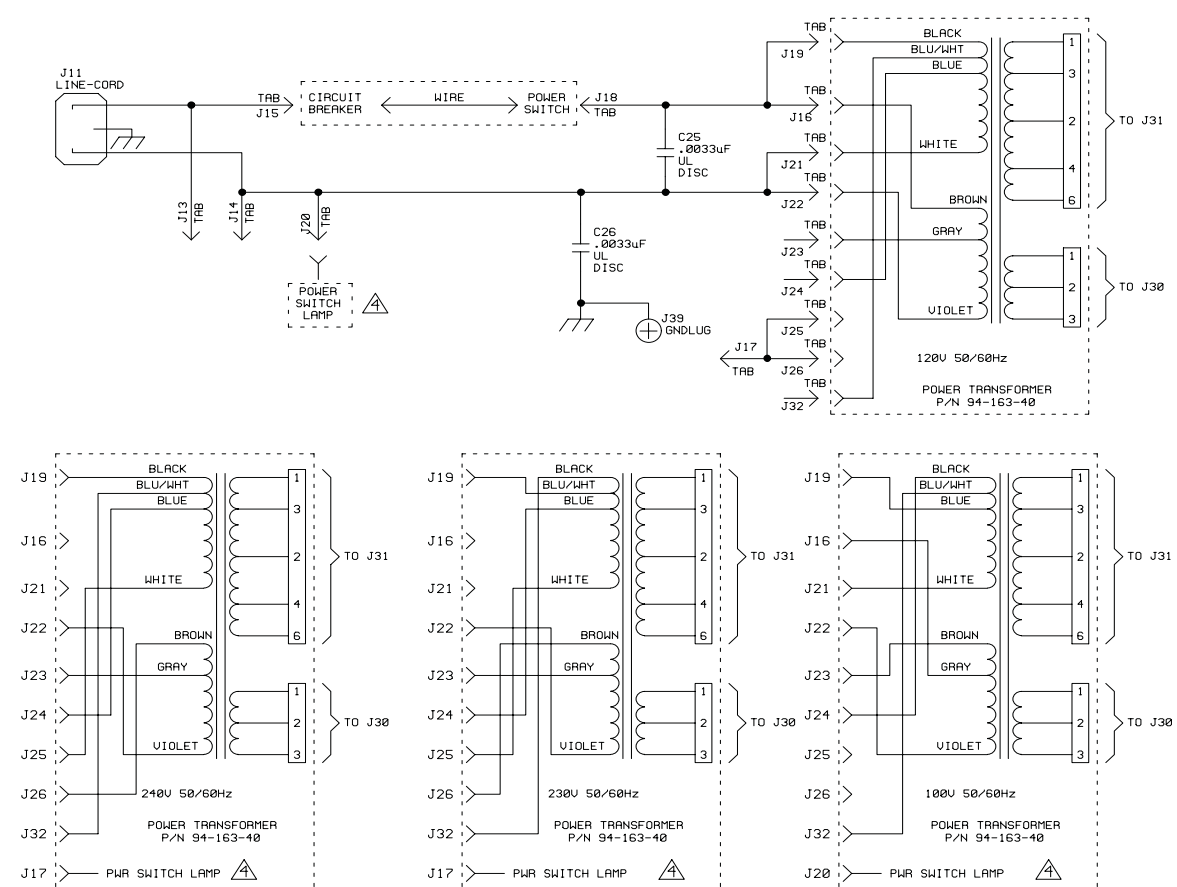
BIAS ADJUSTMENT: WITH NO SIGNAL AND NO LOAD  
 ADJUST AP101 TO OBTAIN AN AVERAGE OF 25 ± 5mV ACROSS R139, 140, 146, 147, 152, 153, 158, 159, 164, 165.  
 ADJUST AP201 TO OBTAIN AN AVERAGE OF 25 ± 5mV ACROSS R239, 240, 246, 247, 252, 253, 258, 259, 264, 265.

SHEETS 1, 2 & 3 OF THIS DRAWING REPRESENT ASSY P/N 07-442-03

- NOTES:
- 1) THIS UNIT CONTAINS HAZARDOUS VOLTAGE. DISCONNECT POWER AND BE SURE POWER SUPPLY IS DISCHARGED BEFORE TOUCHING INTERNAL PARTS.
  - 2) UNLESS NOTED, RESISTOR VALUES IN OHMS, 1/4W-5% TOL. CAPACITOR VALUES IN MICROFARADS, 50V-10% TOL.
  - 3) VOLTAGES ARE MEASURED WITH 1 MEGOHM OSCILLOSCOPE AND 10 MEGOHM DIGITAL VOLTMETER.

CAUTION:  
 THIS SCHEMATIC IS PROVIDED FOR USE BY QUALIFIED PERSONNEL. TO AVOID RISK OF ELECTRIC SHOCK, REFER SERVICING TO QUALIFIED SERVICE PERSONNEL. DO NOT PERFORM ANY SERVICING BEYOND THAT EXPLAINED IN THE OPERATING INSTRUCTIONS.

REV:	DATE:	DESCRIPTION	ECR/ECN NO:	CHG'D BY:	APP'D BY:	DATE:
4		SEE_SHT_1_FOR_REV_HISTORY				
THIS INFORMATION CONTAINED ON THIS DRAWING IS PROPRIETARY TO ST. LOUIS MUSIC, INC.						
SIGNATURES:		DATE:	11800 Borman Dr. St. Louis, Missouri 63146			
DRAWN: REM		6-25-98	FIRST USED ON: B-4R_BASS_AMP			
CHK'D:			DRAWING TITLE: POWER_AMP			
CLS'D:			DRAWING NO.:			
TOLERANCES:	DRAWING SIZE: D	DRAWING TITLE:		DRAWING NO.:		
	DRAWING TYPE: - SCHEMATIC	DRAWING TITLE:		DRAWING NO.:		
	CLASS CODE:	DRAWING TITLE:		DRAWING NO.:		
	SCALE: NONE	DRAWING TITLE:		DRAWING NO.:		
		DRAWING TITLE:		DRAWING NO.:		



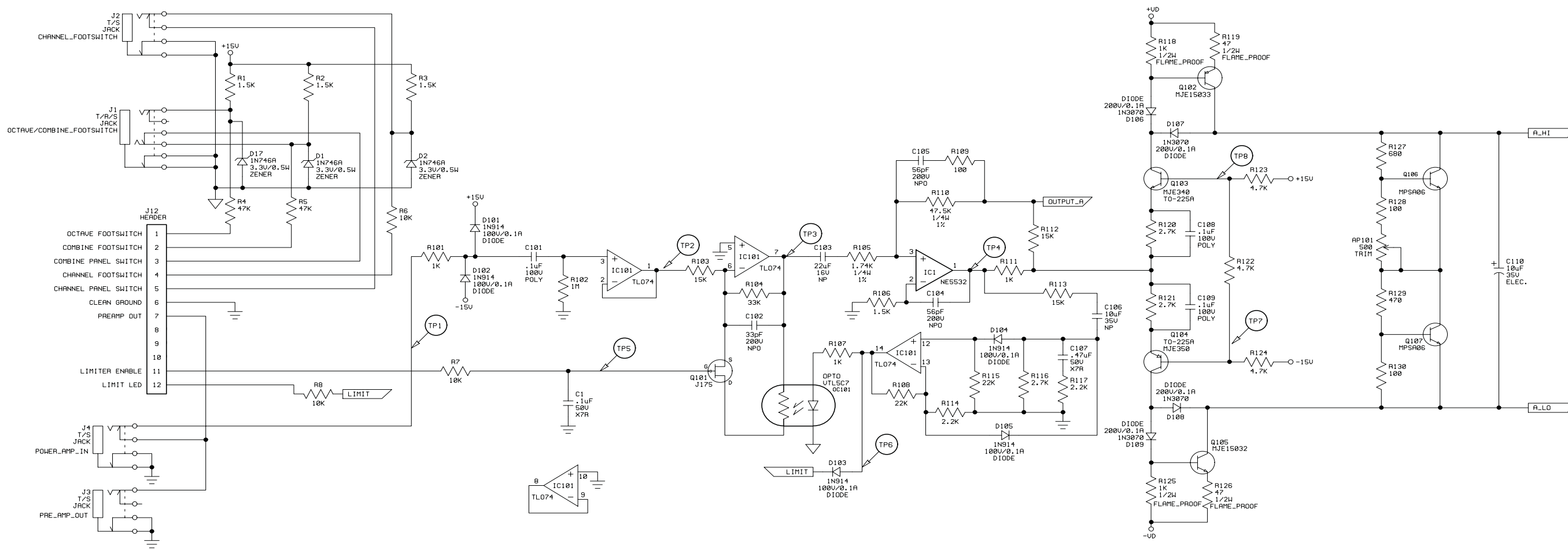
- NOTES:
- 1) THIS UNIT CONTAINS HAZARDOUS VOLTAGE. DISCONNECT POWER AND BE SURE POWER SUPPLY IS DISCHARGED BEFORE TOUCHING INTERNAL PARTS.
  - 2) UNLESS NOTED, RESISTOR VALUES IN OHMS, 1/4W-5% TOL. CAPACITOR VALUES IN MICROFARADS, 50V-10% TOL.
  - 3) VOLTAGES ARE MEASURED WITH 1 MEGOHM OSCILLOSCOPE AND 10 MEGOHM DIGITAL VOLTMETER.
  - 4) IF REQUIRED FOR CHASSIS ASSY.

CAUTION:  
THIS SCHEMATIC IS PROVIDED FOR USE BY QUALIFIED PERSONNEL. TO AVOID RISK OF ELECTRIC SHOCK, REFER SERVICING TO QUALIFIED SERVICE PERSONNEL. DO NOT PERFORM ANY SERVICING BEYOND THAT EXPLAINED IN THE OPERATING INSTRUCTIONS.

TP	NO SIGNAL	40VRMS OUT @ 8 OHMS	LIMITING @ 8 OHMS	AS NOTED	WAVEFORM
13	VARIES w/TEMP	Varies w/TEMP.	Varies w/TEMP.		
14	61Vac	51Vac	51Vac		~
15	61Vac	51Vac	51Vac		~
16	+14Vdc	-4.6Vdc	-4.6Vdc		
17	+14.4Vdc	+14.4Vdc	+14.4Vdc		
18	20Vac	19Vac	19Vac		~
19	20Vac	19Vac	19Vac		~
20	+71Vdc	+64.5Vdc	+64.5Vdc		~
21	+63Vdc	+59Vdc	+59Vdc		~
22	-63Vdc	-59Vdc	-59Vdc		~
23	-71Vdc	-64.5Vdc	-64.5Vdc		~
24	+6Vdc	+5.73Vdc	+5.73Vdc		
25	NOT USED				
26	+15Vdc	+15Vdc	+15Vdc		
27	-15Vdc	-15Vdc	-15Vdc		
28	+14.3Vdc	+14.3Vdc	+14.3Vdc		

SHEETS 1, 2 & 3 OF THIS DRAWING REPRESENT ASSY P/N 07-442-03

REV:	DATE:	DESCRIPTION:	ECR/ECN NO:	CHG'D BY:	APP'D BY:	DATE:
THIS INFORMATION CONTAINED ON THIS DRAWING IS PROPRIETARY TO ST. LOUIS MUSIC, INC.						
SIGNATURES:		DATE:		11800 Borman Dr., St. Louis, Missouri 63146		
DRAWN: REM			6-25-98			
CHK'D:			FIRST USED ON:	B-4R_BASS_AMP		
ALS'D:			DRAWING TITLE:	POWER_AMP		
TOLERANCES:	DRAWING SIZE: D		DRAWING NO.:		07S442-XX	
DRAWING TYPE: - SCHEMATIC		SCALE: NONE		SHEET: SHT 3 OF 9		



BIAS ADJUSTMENT: WITH NO SIGNAL AND NO LOAD  
 ADJUST AP101 TO OBTAIN AN AVERAGE OF 25 ± 5mV ACROSS R139, 140  
 R146, 147, 152, 153, 158, 159, 164, 165.

T.P.	NO SIGNAL	400mVrms OUT @ 8 OHMS	LIMITING @ 8 OHMS	AS NOTED	WAVEFORM
1	—	0.68Vrms	0.79Vrms	—	~
2	—	0.68Vrms	0.79Vrms	—	~
3	+/-20mVdc	1.5V	1.5V	—	~
4	+/-1Vdc	2.6Vdc	2.6Vdc	—	AS SHOWN PER COLUMN
5	+7mVdc	1.9mV	2.7mV	—	—
6	+5Vdc	+4.82Vdc	+4.82Vdc	—	—
7	-5Vdc	-5.12Vdc	-5.12Vdc	—	—
8	0V	+43.6mVdc	+74mVdc	—	~

SHEETS 4, 5 & 6 OF THIS DRAWING REPRESENTS  
 ASSY P/N 07-442-11

NOTES:  
 1) THIS UNIT CONTAINS HAZARDOUS VOLTAGE. DISCONNECT POWER AND BE SURE POWER SUPPLY IS DISCHARGED BEFORE TOUCHING INTERNAL PARTS.  
 2) UNLESS NOTED, RESISTOR VALUES IN OHMS, 1/4W-5% TOL. CAPACITOR VALUES IN MICROFARADS, 50V-10% TOL.  
 3) VOLTAGES ARE MEASURED WITH 1 MEGOHM OSCILLOSCOPE AND 10 MEGOHM DIGITAL VOLTMETER.

CAUTION:  
 THIS SCHEMATIC IS PROVIDED FOR USE BY QUALIFIED PERSONNEL. TO AVOID RISK OF ELECTRIC SHOCK, REFER SERVICING TO QUALIFIED SERVICE PERSONNEL. DO NOT PERFORM ANY SERVICING BEYOND THAT EXPLAINED IN THE OPERATING INSTRUCTIONS.

REV:	DATE:	DESCRIPTION:	ECR/ECN NO:	CHG'D BY:	APP'D BY:	DATE:
THIS INFORMATION CONTAINED ON THIS DRAWING IS PROPRIETARY TO ST. LOUIS MUSIC, INC.						
SIGNATURES:		DATE:		11888 Borman Dr. St. Louis, Missouri 63146		
DRAWN: REM		6-25-98		FIRST USED ON: B-4R_BASS_AMP		
CHK'D:				DRAWING TITLE: POWER_AMP		
ALS'D:				DRAWING NO.:		
DRAWING SIZE: D SCHEMATIC		DRAWING TYPE: -		SCALE: NONE		
CLASS CODE:		SHEET: SHT 4 OF 9		DRAWING NO.: 07S442-XX		

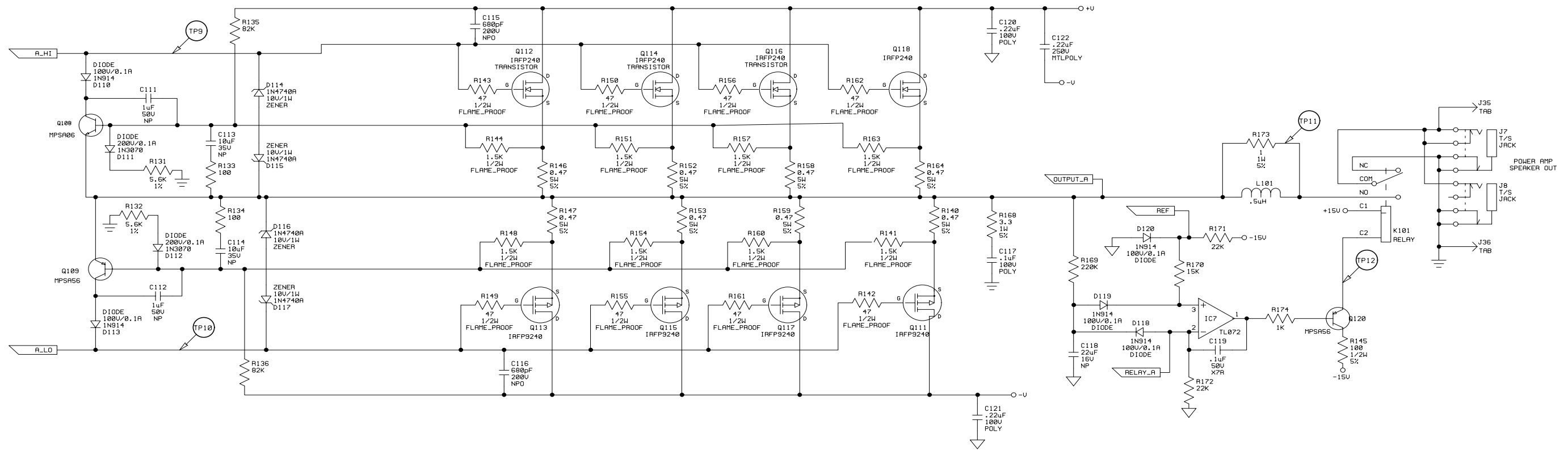


SVT-5PRO

©2007 LOUD Technologies Inc. All rights reserved

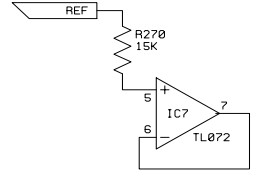
Power Amplifier PCB Schematics

PAGE 4



BIAS ADJUSTMENT: WITH NO SIGNAL AND NO LOAD  
 ADJUST AP101 TO OBTAIN AN AVERAGE OF 25 ± 5mV ACROSS R139, 140  
 R146, 147, 152, 153, 158, 159, 164, 165.

T.P.	NO SIGNAL	40VRMS OUT @ 8 OHMS	LIMITING @ 8 OHMS AS NOTED	WAVEFORM
9	+3.6Vdc	40Urms	41Urms	~
10	-3.5Vdc	40Urms	41Urms	~
11	7.2mVdc	40Urms	41Urms	~
12	-11.52Vdc	-11.8Vdc	-11.8Vdc	—



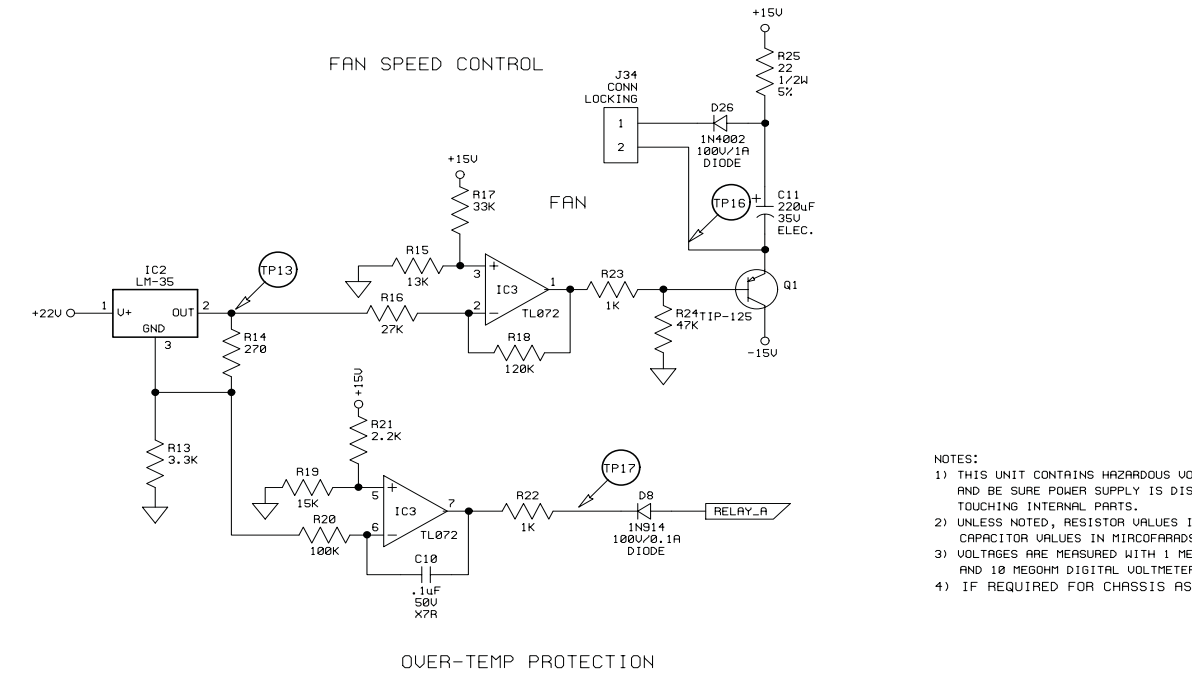
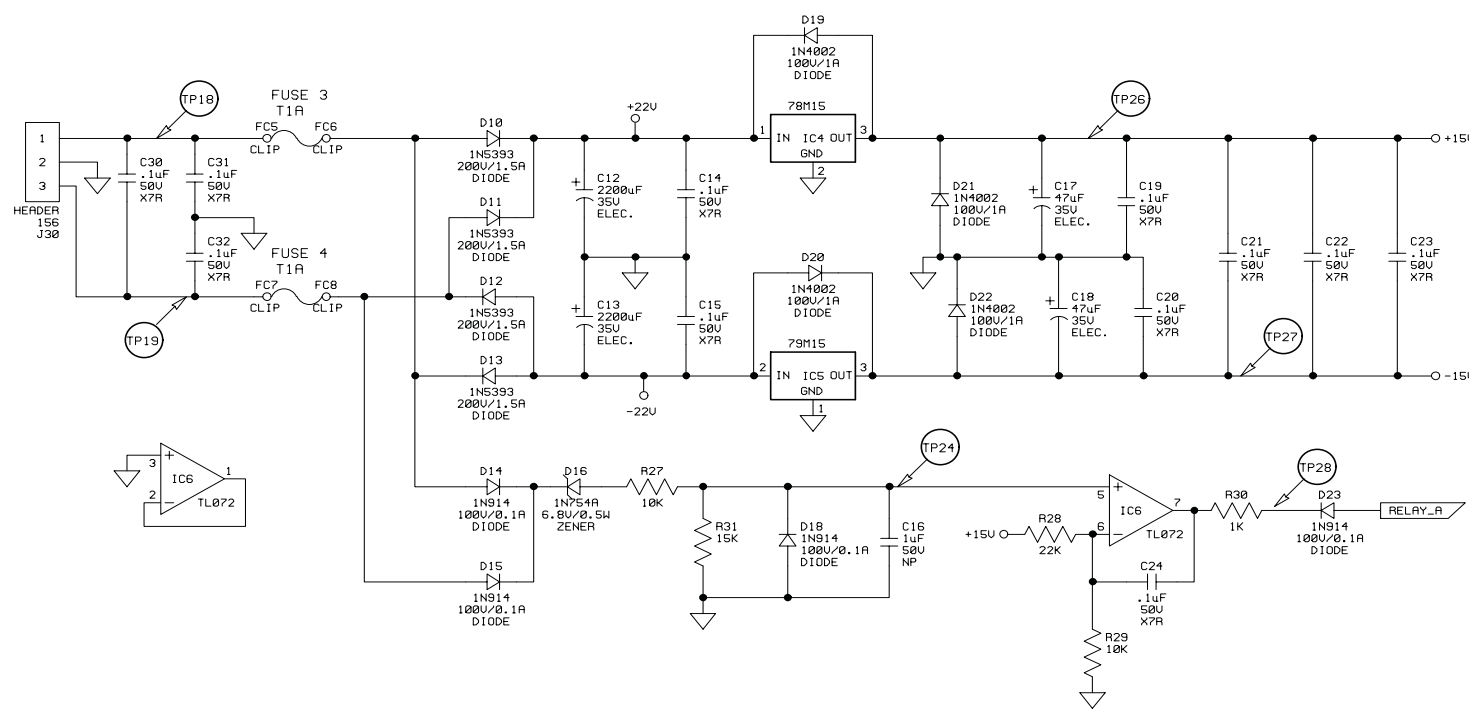
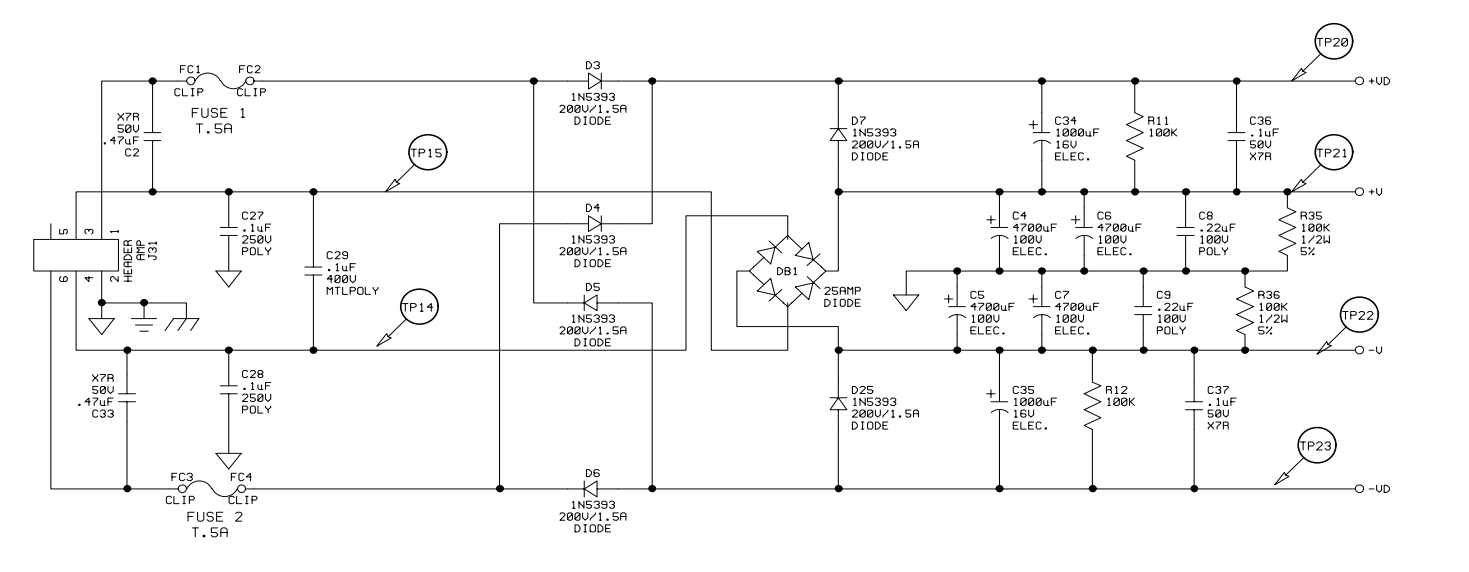
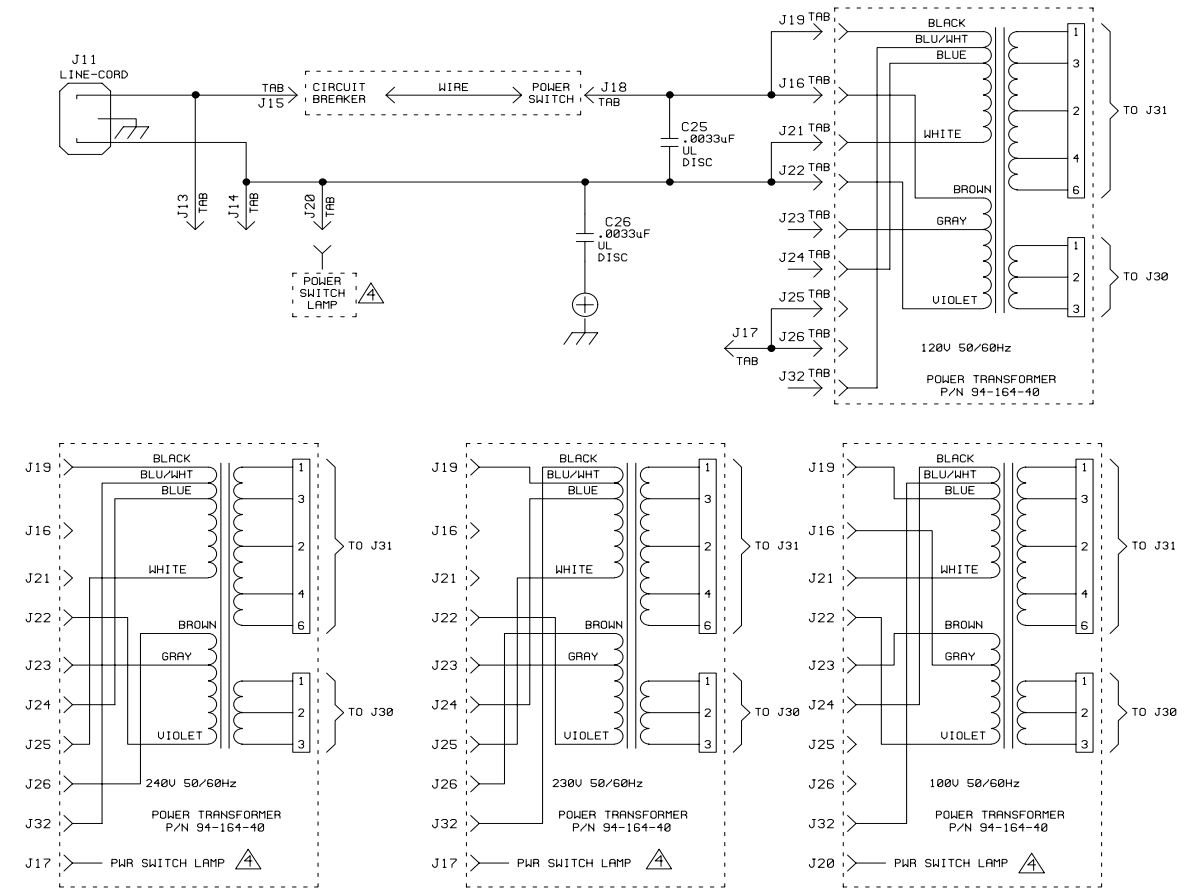
- NOTES:
- 1) THIS UNIT CONTAINS HAZARDOUS VOLTAGE. DISCONNECT POWER AND BE SURE POWER SUPPLY IS DISCHARGED BEFORE TOUCHING INTERNAL PARTS.
  - 2) UNLESS NOTED, RESISTOR VALUES IN OHMS, 1/4W-5% TOL. CAPACITOR VALUES IN MICROFARADS, 50V-10% TOL.
  - 3) VOLTAGES ARE MEASURED WITH 1 MEGOHM OSCILLOSCOPE AND 10 MEGOHM DIGITAL VOLTMETER.

CAUTION:  
 THIS SCHEMATIC IS PROVIDED FOR USE BY QUALIFIED PERSONNEL.  
 TO AVOID RISK OF ELECTRIC SHOCK, REFER SERVICING TO QUALIFIED SERVICE PERSONNEL. DO NOT PERFORM ANY SERVICING BEYOND THAT EXPLAINED IN THE OPERATING INSTRUCTIONS.

SHEETS 4, 5 & 6 OF THIS DRAWING REPRESENTS  
 ASSY P/N 07-442-11

REV:	DATE:	DESCRIPTION	ECR/ECN NO:	CHG'D BY:	APP'D BY:	DATE:
4		SEE_SHT_1_FOR_REV_HISTORY				
THIS INFORMATION CONTAINED ON THIS DRAWING IS PROPRIETARY TO ST. LOUIS MUSIC, INC.						
SIGNATURES:		DATE:		11800 Borman Dr., St. Louis, Missouri 63146		
DRAWN: REM		6-25-98		FIRST USED ON: B-4R_BASS_AMP		
CHK'D:				DRAWING TITLE: POWER_AMP		
RLS'D:				DRAWING NO.: 07S442-XX		
TOLERANCES:		DRAWING SIZE: D		DRAWING TYPE: - SCHEMATIC		
		DRAWING TYPE: - SCHEMATIC		CLASS CODE:		
SCALE: NONE		SHEET: SHT 5 OF 9				





NOTES:  
 1) THIS UNIT CONTAINS HAZARDOUS VOLTAGE. DISCONNECT POWER AND BE SURE POWER SUPPLY IS DISCHARGED BEFORE TOUCHING INTERNAL PARTS.  
 2) UNLESS NOTED, RESISTOR VALUES IN OHMS, 1/4W-5% TOL. CAPACITOR VALUES IN MICROFARADS, 50V-10% TOL.  
 3) VOLTAGES ARE MEASURED WITH 1 MEGOHM OSCILLOSCOPE AND 10 MEGOHM DIGITAL VOLTMETER.  
 4) IF REQUIRED FOR CHASSIS ASSY.

CAUTION:  
 THIS SCHEMATIC IS PROVIDED FOR USE BY QUALIFIED PERSONNEL. TO AVOID RISK OF ELECTRIC SHOCK, REFER SERVICING TO QUALIFIED SERVICE PERSONNEL. DO NOT PERFORM ANY SERVICING BEYOND THAT EXPLAINED IN THE OPERATING INSTRUCTIONS.

TP	NO SIGNAL	40VRMS OUT @ 8 OHMS	LIMITING @ 8 OHMS	AS NOTED	WAVEFORM
13	VARIABLES w/TEMP	Varies w/temp.	Varies w/temp.		
14	61Uvac	51Uvac	51Uvac		~
15	61Uvac	51Uvac	51Uvac		~
16	+14Vdc	-4.6Vdc	-4.6Vdc		—
17	+14.4Vdc	+14.4Vdc	+14.4Vdc		—
18	20Uvac	19Uvac	19Uvac		~
19	20Uvac	19Uvac	19Uvac		~
20	+71Vdc	+64.5Vdc	+64.5Vdc		^^
21	+63Vdc	+59Vdc	+59Vdc		^^
22	-63Vdc	-59Vdc	-59Vdc		^^
23	-71Vdc	-64.5Vdc	-64.5Vdc		^^
24	+6Vdc	+5.73Vdc	+5.73Vdc		—
25	NOT USED				
26	+15Vdc	+15Vdc	+15Vdc		
27	-15Vdc	-15Vdc	-15Vdc		
28	+14.3Vdc	+14.3Vdc	+14.3Vdc		

SHEETS 4, 5 & 6 OF THIS DRAWING REPRESENTS ASSY P/N 07-442-11

REV:	DATE:	DESCRIPTION:	ECR/ECN NO:	CHK'D BY:	APP'D BY:	DATE:
THIS INFORMATION CONTAINED ON THIS DRAWING IS PROPRIETARY TO ST. LOUIS MUSIC, INC.						
SIGNATURES:			DATE:			
DRAWN: REM			11880 Borham Dr.		St. Louis, Missouri 63116	
CHK'D:			FIRST USED ON:		B-4R_BASS_AMP	
ALS'D:						
DRAWING SIZE: D			DRAWING TITLE: POWER_AMP			
DRAWING TYPE: - SCHEMATIC			DRAWING NO.:			
CLASS CODE:			DRAWING NO.:			
SCALE: NONE			SHEET: SHT 6 OF 9			

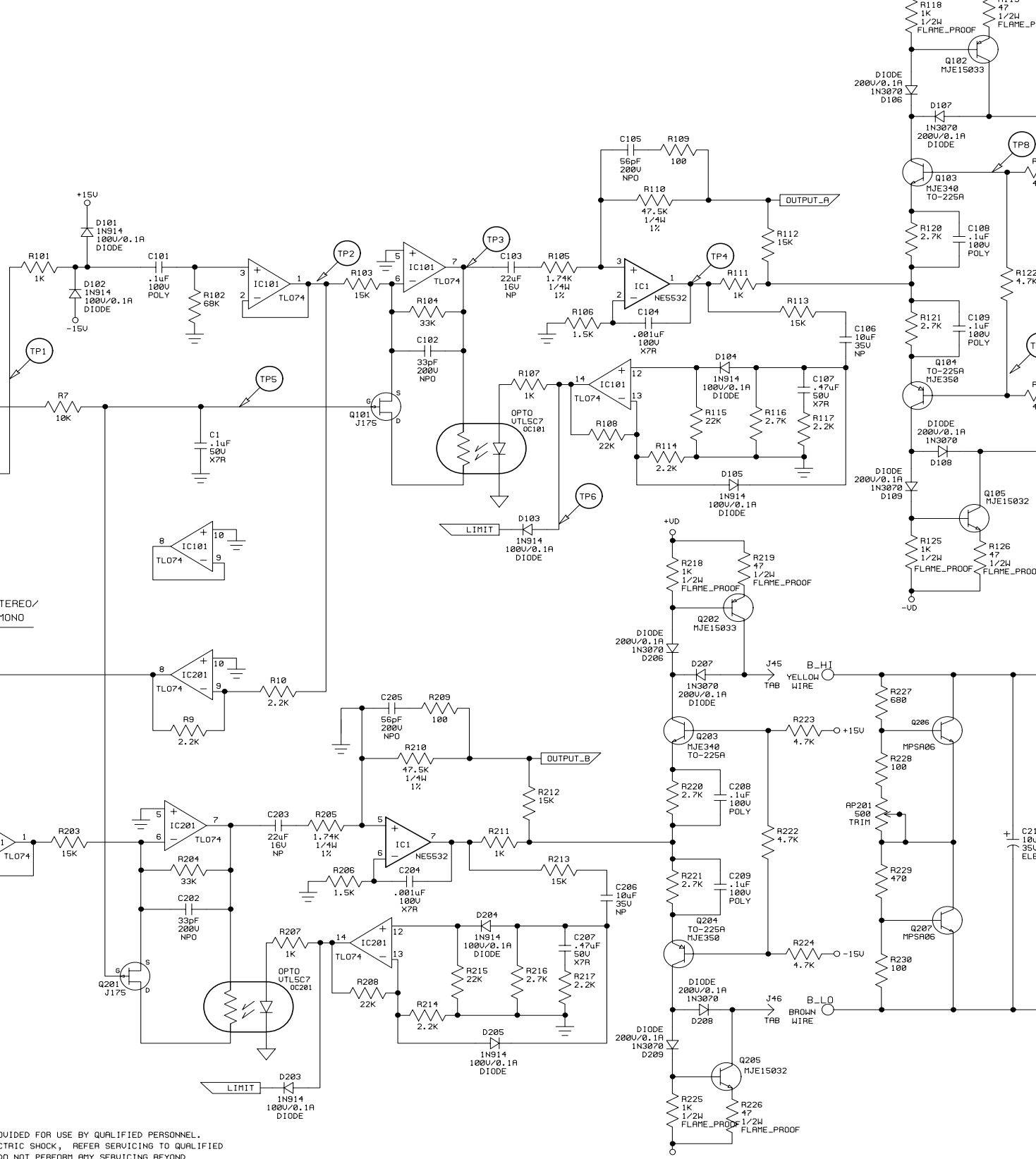
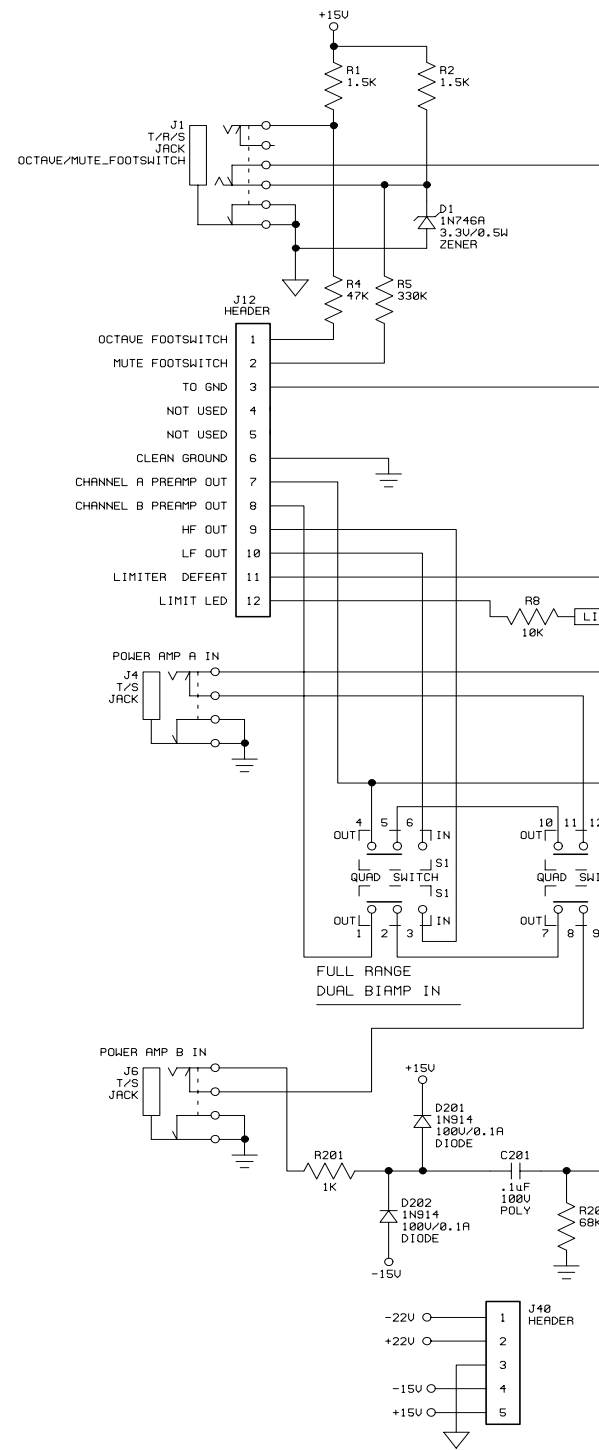


SVT-5PRO

©2007 LOUD Technologies Inc. All rights reserved

Power Amplifier PCB Schematics

PAGE 6



BIAS ADJUSTMENT: WITH NO SIGNAL AND NO LOAD  
 ADJUST AP101 TO OBTAIN AN AVERAGE OF  $25 \pm 5\text{mV}$  ACROSS R139, 140  
 R146, 147, 152, 153, 158, 159, 164, 165.  
 ADJUST AP201 TO OBTAIN AN AVERAGE OF  $25 \pm 5\text{mV}$  ACROSS R239, 240  
 R246, 247, 252, 253, 258, 259, 264, 265.

T.P.	NO SIGNAL	40VRMS OUT @ 8 OHMS	LIMITING @ 8 OHMS	AS NOTED	WAVEFORM
1		0.68Urms	0.79Urms		~
2		0.68Urms	0.79Urms		~
3	+/-20mVdc	1.5U	1.5U		~
4	+/-1Vdc	2.6Vdc	2.6Vdc		AS SHOWN PER COLUMN
5	+7mVdc	1.9mU	2.7mU		
6	+5Udc	+4.82Udc	+4.82Udc		
7	-5Udc	-5.12Udc	-5.12Udc		
8	0U	+43.6mVdc	+74mVdc		~

- NOTES:
- THIS UNIT CONTAINS HAZARDOUS VOLTAGE. DISCONNECT POWER AND BE SURE POWER SUPPLY IS DISCHARGED BEFORE TOUCHING INTERNAL PARTS.
  - UNLESS NOTED, RESISTOR VALUES IN OHMS, 1/4W-5% TOL. CAPACITOR VALUES IN MICROFARADS, 50U-10% TOL.
  - VOLTAGES ARE MEASURED WITH 1 MEGOHM OSCILLOSCOPE AND 10 MEGOHM DIGITAL VOLTMETER.

CAUTION:  
 THIS SCHEMATIC IS PROVIDED FOR USE BY QUALIFIED PERSONNEL. TO AVOID RISK OF ELECTRIC SHOCK, REFER SERVICING TO QUALIFIED SERVICE PERSONNEL. DO NOT PERFORM ANY SERVICING BEYOND THAT EXPLAINED IN THE OPERATING INSTRUCTIONS.

SHEETS 7, 8 & 9 OF THIS DRAWING REPRESENT ASSY P/N 07-442-21

REV:	DATE:	DESCRIPTION:	ECR/ECN NO:	CHG'D BY:	APP'D BY:	DATE:
4		SEE_SHT_1_FOR_REV_HISTORY				
THIS INFORMATION CONTAINED ON THIS DRAWING IS PROPRIETARY TO ST. LOUIS MUSIC, INC.						
SIGNATURES:		DATE:		11888 Borman Dr. St. Louis, Missouri 63146		
DRAWN: REM		6-25-98		FIRST USED ON: B-4R_BASS_AMP		
CHK'D:				DRAWING TITLE: POWER_AMP		
RLS'D:				DRAWING NO.:		
TOLERANCES:		DRAWING SIZE: D		DRAWING NO.:		
		DRAWING TYPE: - SCHEMATIC		DRAWING NO.:		
		CLASS CODE:		DRAWING NO.:		
		SCALE: NONE		DRAWING NO.:		
		SHEET: SHT 7 OF 9		DRAWING NO.:		

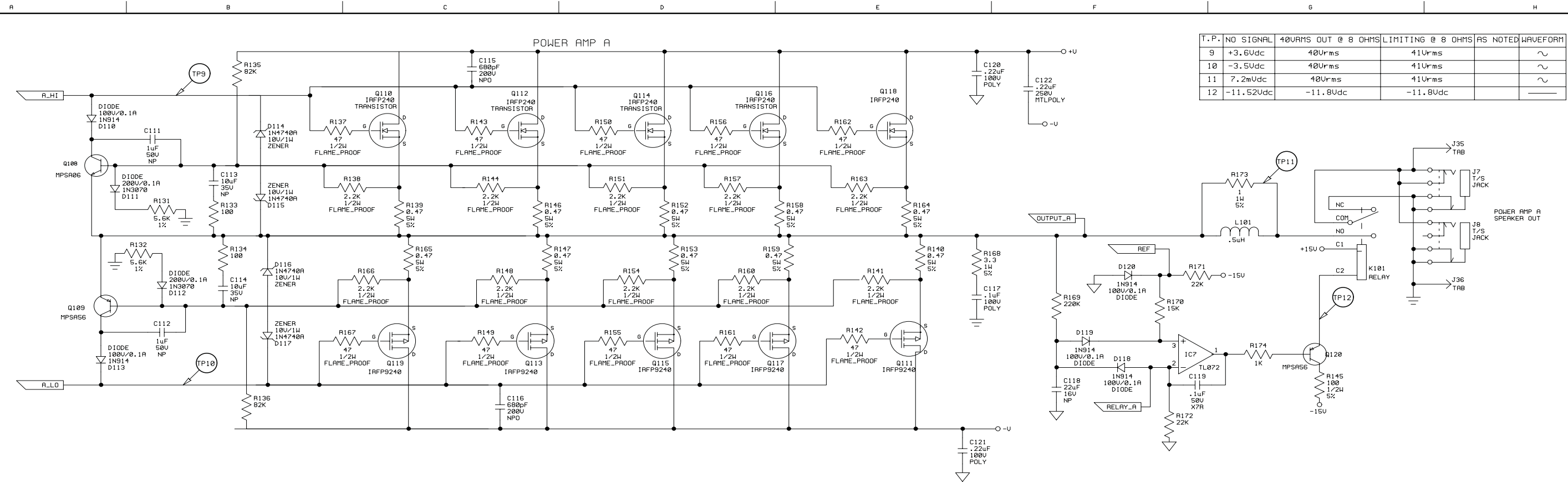


SVT-5PRO

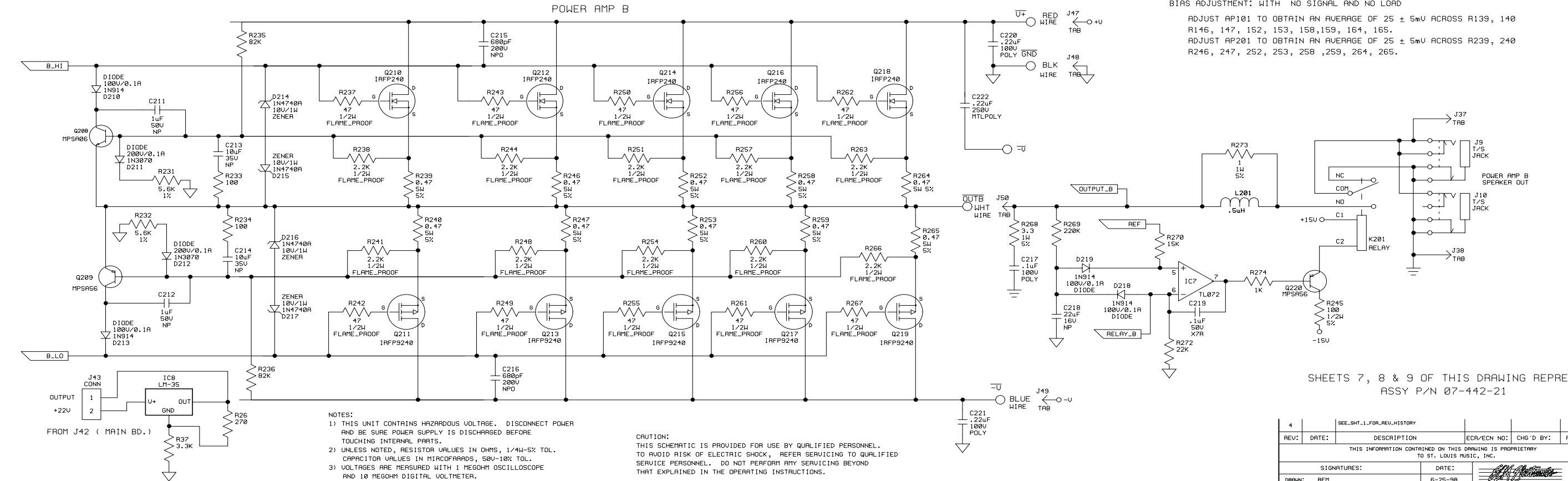
©2007 LOUD Technologies Inc. All rights reserved

Power Amplifier PCB Schematics

PAGE 7



T.P.	NO SIGNAL	40VRMS OUT @ 8 OHMS	LIMITING @ 8 OHMS	AS NOTED	WAVEFORM
9	+3.6Udc	40Urms	41Urms		~
10	-3.5Udc	40Urms	41Urms		~
11	7.2mUdc	40Urms	41Urms		~
12	-11.52Udc	-11.8Udc	-11.8Udc		—



BIAS ADJUSTMENT: WITH NO SIGNAL AND NO LOAD  
 ADJUST AP101 TO OBTAIN AN AVERAGE OF 25 ± 5mV ACROSS R139, 140, 146, 147, 152, 153, 158, 159, 164, 165.  
 ADJUST AP201 TO OBTAIN AN AVERAGE OF 25 ± 5mV ACROSS R239, 240, 246, 247, 252, 253, 258, 259, 264, 265.

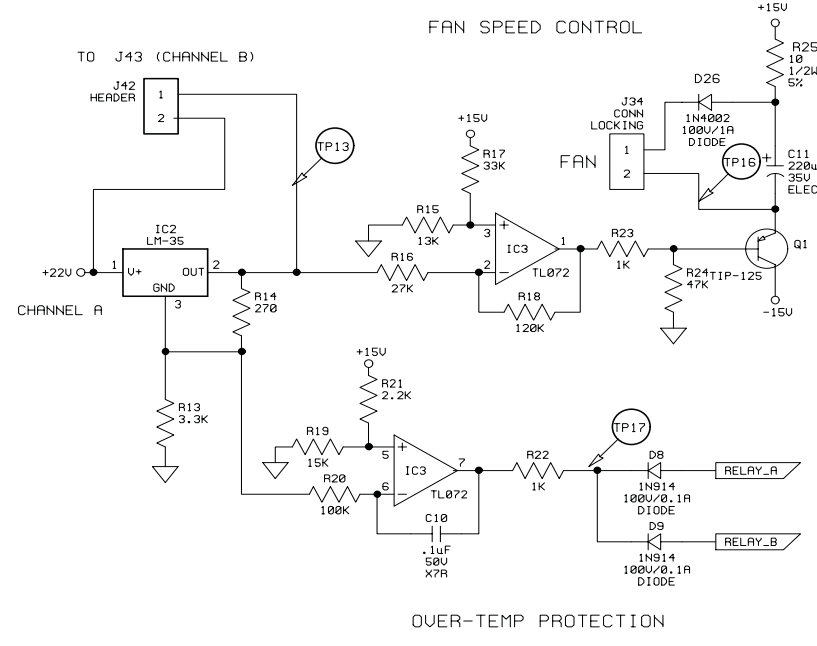
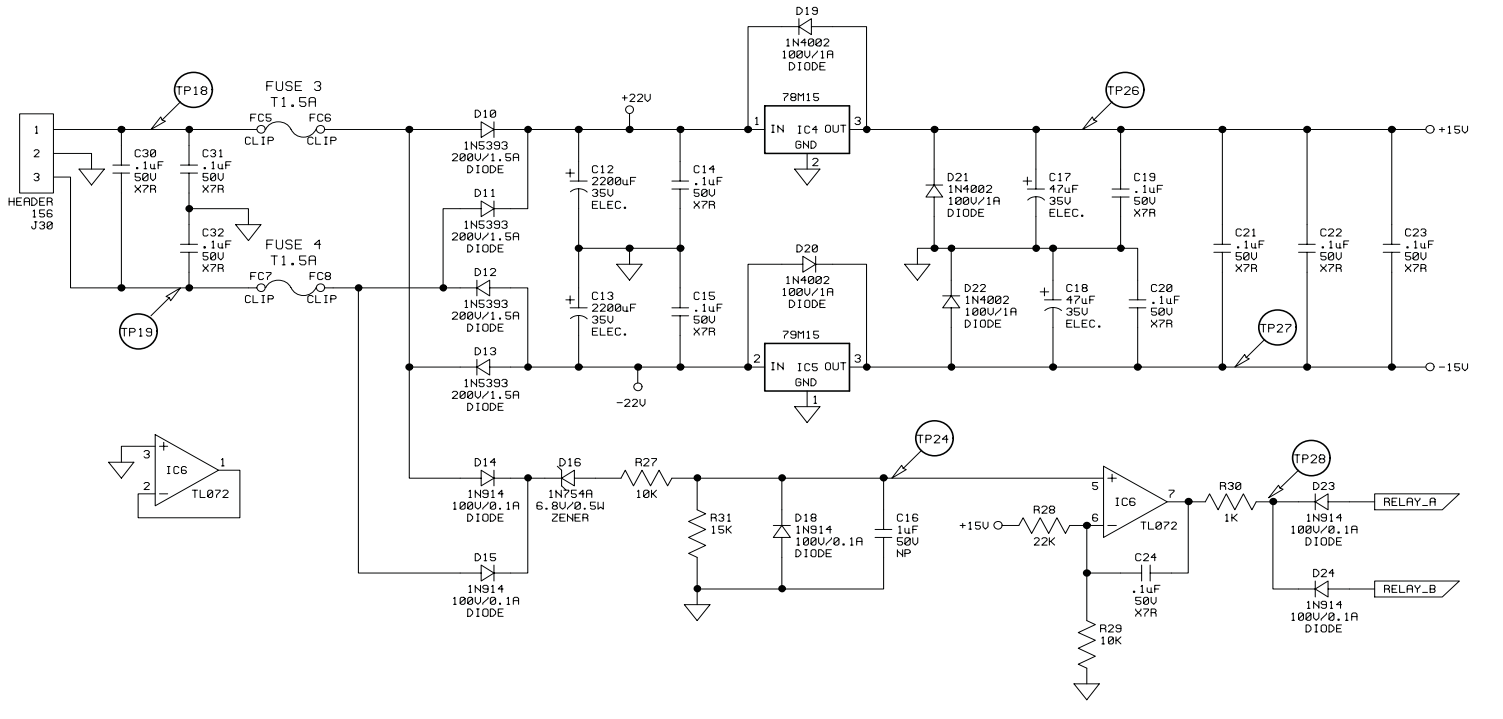
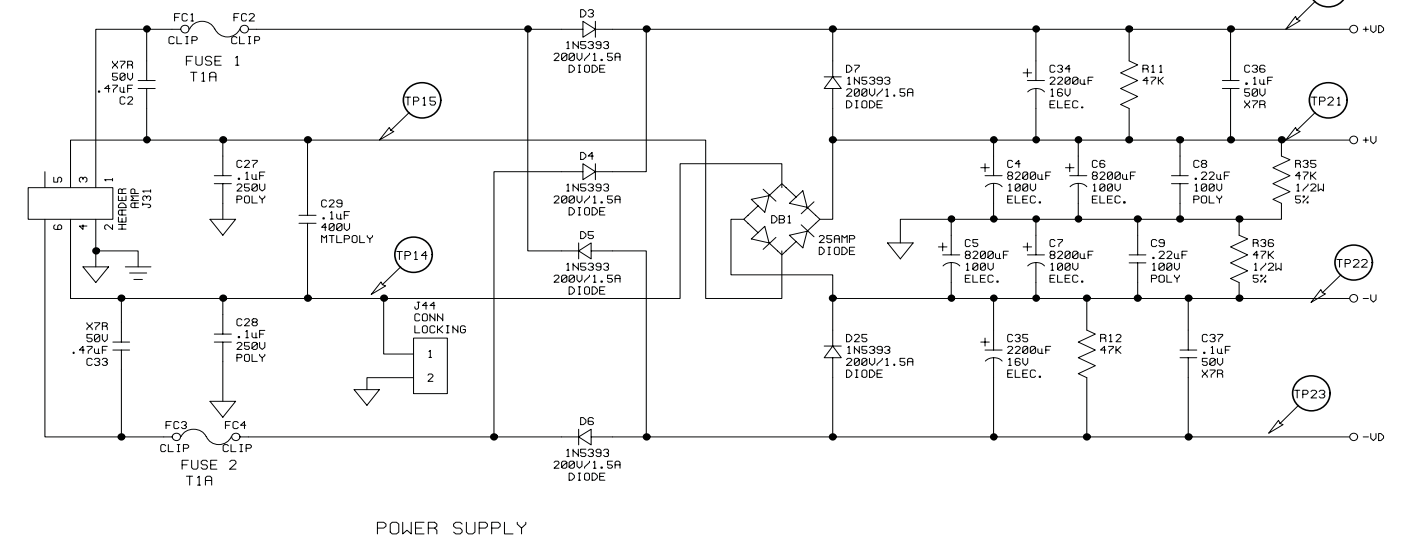
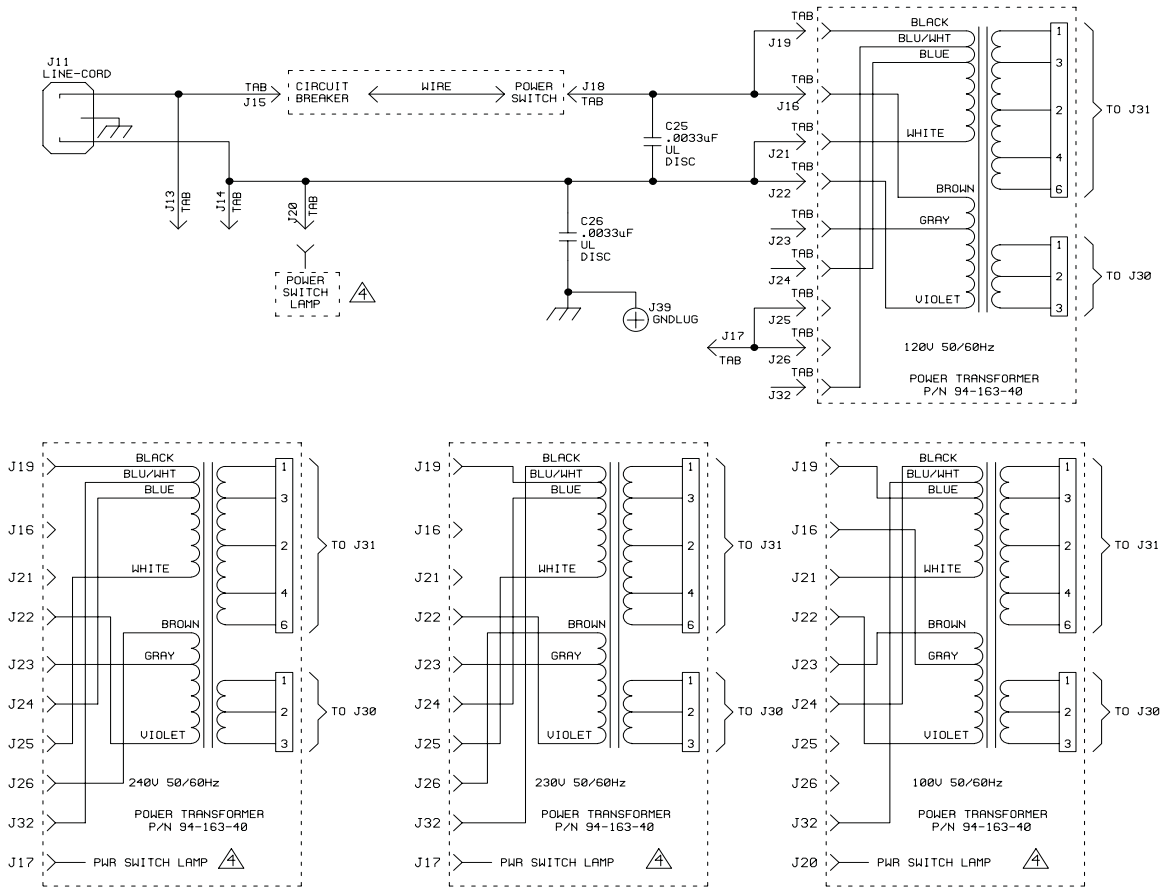
SHEETS 7, 8 & 9 OF THIS DRAWING REPRESENT ASSY P/N 07-442-21

- NOTES:
- 1) THIS UNIT CONTAINS HAZARDOUS VOLTAGE. DISCONNECT POWER AND BE SURE POWER SUPPLY IS DISCHARGED BEFORE TOUCHING INTERNAL PARTS.
  - 2) UNLESS NOTED, RESISTOR VALUES IN OHMS, 1/4W-5% TOL. CAPACITOR VALUES IN MICROFARADS, 50V-10% TOL.
  - 3) VOLTAGES ARE MEASURED WITH 1 MEGOHM OSCILLOSCOPE AND 10 MEGOHM DIGITAL VOLTMETER.

CAUTION:  
 THIS SCHEMATIC IS PROVIDED FOR USE BY QUALIFIED PERSONNEL. TO AVOID RISK OF ELECTRIC SHOCK, REFER SERVICING TO QUALIFIED SERVICE PERSONNEL. DO NOT PERFORM ANY SERVICING BEYOND THAT EXPLAINED IN THE OPERATING INSTRUCTIONS.

REV:	DATE:	DESCRIPTION	ECR/ECN NO:	CHG'D BY:	APP'D BY:	DATE:
4		SEE_SHT_1_FOR_REV_HISTORY				
THIS INFORMATION CONTAINED ON THIS DRAWING IS PROPRIETARY TO ST. LOUIS MUSIC, INC.						
SIGNATURES:		DATE:	11888 Borman Dr. St. Louis, Missouri 63146			
DRAWN:	REM	6-25-98	FIRST USED ON: B-4R_BASS_AMP			
CHK'D:			DRAWING TITLE: POWER_AMP			
RLS'D:			DRAWING NO.:			
TOLERANCES:		DRAWING SIZE: D	DRAWING NO.:			
		DRAWING TYPE: - SCHEMATIC	DRAWING NO.:			
		CLASS CODE:	DRAWING NO.:			
		SCALE: NONE	DRAWING NO.:			
		SHEET: SHT 8 OF 9	DRAWING NO.:			





- NOTES:
- 1) THIS UNIT CONTAINS HAZARDOUS VOLTAGE. DISCONNECT POWER AND BE SURE POWER SUPPLY IS DISCHARGED BEFORE TOUCHING INTERNAL PARTS.
  - 2) UNLESS NOTED, RESISTOR VALUES IN OHMS, 1/4W-5% TOL. CAPACITOR VALUES IN MICROFARADS, 50V-10% TOL.
  - 3) VOLTAGES ARE MEASURED WITH 1 MEGOHM OSCILLOSCOPE AND 10 MEGOHM DIGITAL VOLTMETER.
  - 4) IF REQUIRED FOR CHASSIS ASSY.

CAUTION:  
THIS SCHEMATIC IS PROVIDED FOR USE BY QUALIFIED PERSONNEL. TO AVOID RISK OF ELECTRIC SHOCK, REFER SERVICING TO QUALIFIED SERVICE PERSONNEL. DO NOT PERFORM ANY SERVICING BEYOND THAT EXPLAINED IN THE OPERATING INSTRUCTIONS.

TP	NO SIGNAL	40VRMS OUT @ 8 OHMS	LIMITING @ 8 OHMS AS NOTED	WAVEFORM
13	VARIES w/TEMP	Varies w/temp.	Varies w/temp.	—
14	61Vac	51Vac	51Vac	~
15	61Vac	51Vac	51Vac	~
16	+14Vdc	-4.6Vdc	-4.6Vdc	—
17	+14.4Vdc	+14.4Vdc	+14.4Vdc	—
18	20Vac	19Vac	19Vac	~
19	20Vac	19Vac	19Vac	~
20	+71Vdc	+64.5Vdc	+64.5Vdc	^^
21	+63Vdc	+59Vdc	+59Vdc	^^
22	-63Vdc	-59Vdc	-59Vdc	^^
23	-71Vdc	-64.5Vdc	-64.5Vdc	^^
24	+6Vdc	+5.73Vdc	+5.73Vdc	—
25	NOT USED	—	—	—
26	+15Vdc	+15Vdc	+15Vdc	—
27	-15Vdc	-15Vdc	-15Vdc	—
28	+14.3Vdc	+14.3Vdc	+14.3Vdc	—

SHEETS 7, 8 & 9 OF THIS DRAWING REPRESENT ASSY P/N 07-442-21

REV:	DATE:	DESCRIPTION:	ECR/ECN NO:	CHG'D BY:	APP'D BY:	DATE:
THIS INFORMATION CONTAINED ON THIS DRAWING IS PROPRIETARY TO ST. LOUIS MUSIC, INC.						
SIGNATURES:		DATE:		11888 Borman Dr. St. Louis, Missouri 63116		
DRAWN: REM			6-25-98			
CHK'D:			FIRST USED ON:		B-4R_BASS_AMP	
RLS'D:			DRAWING TITLE:		POWER_AMP	
DRAWING SIZE: D		DRAWING TYPE: - SCHEMATIC		DRAWING NO.:		
CLASS CODE:		SCALE: NONE		SHEET: SHT 9 OF 9		
				07S442-XX		