

ON MAIN BD

ON TUBE BREAK-OFF BD

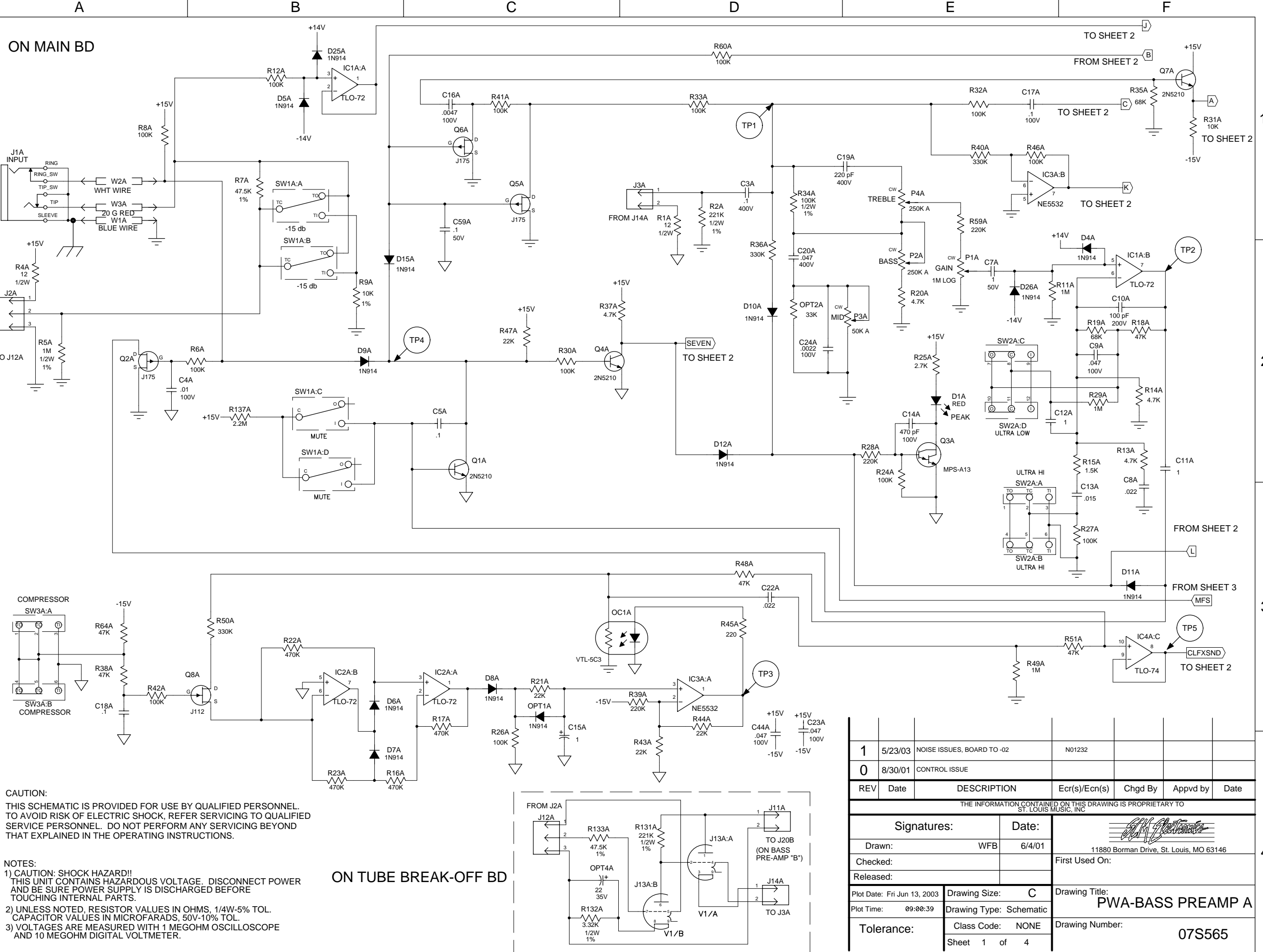
CAUTION:  
THIS SCHEMATIC IS PROVIDED FOR USE BY QUALIFIED PERSONNEL.  
TO AVOID RISK OF ELECTRIC SHOCK, REFER SERVICING TO QUALIFIED  
SERVICE PERSONNEL. DO NOT PERFORM ANY SERVICING BEYOND  
THAT EXPLAINED IN THE OPERATING INSTRUCTIONS.

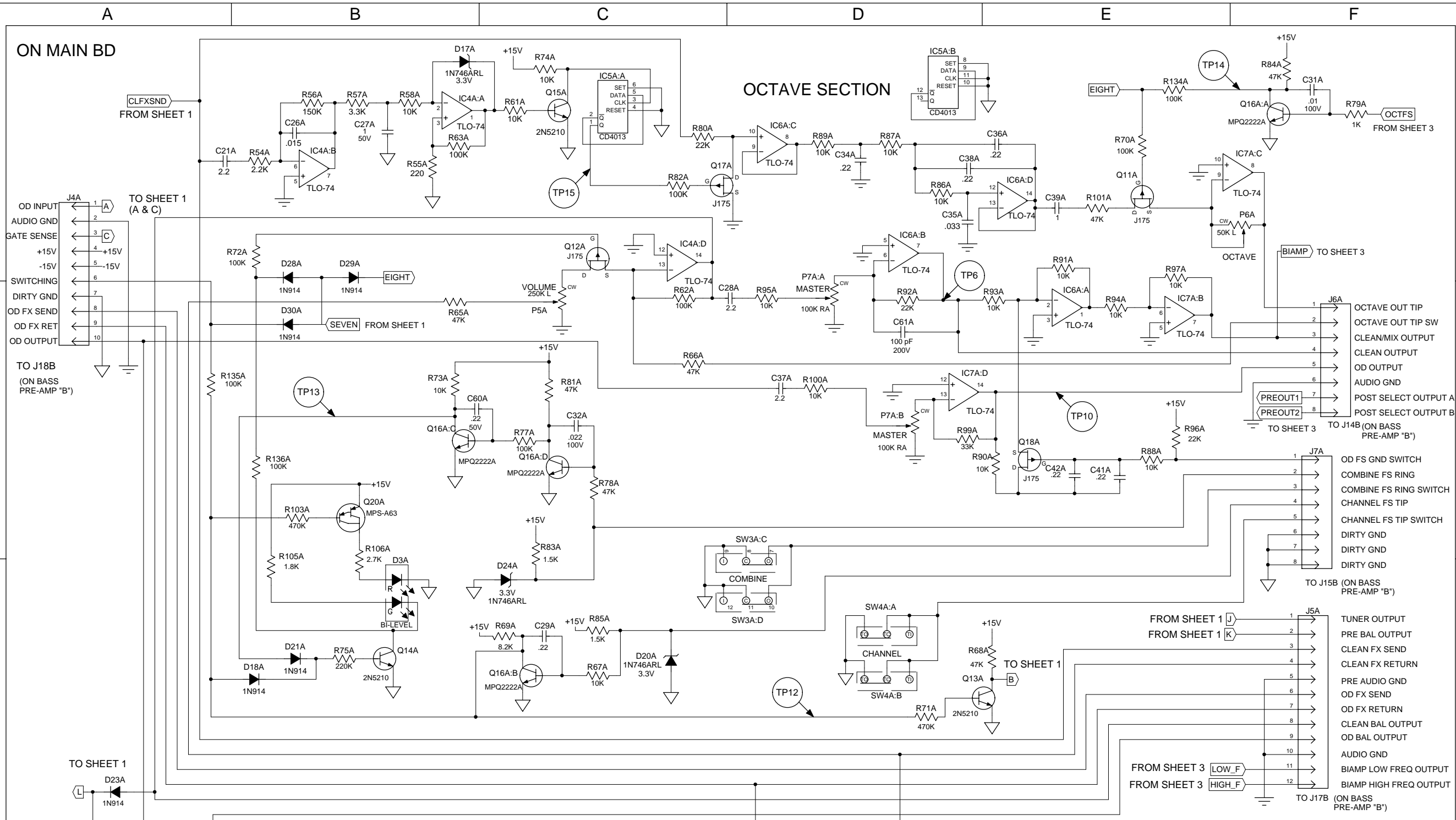
- NOTES:
- 1) CAUTION: SHOCK HAZARD!!  
THIS UNIT CONTAINS HAZARDOUS VOLTAGE. DISCONNECT POWER  
AND BE SURE POWER SUPPLY IS DISCHARGED BEFORE  
TOUCHING INTERNAL PARTS.
  - 2) UNLESS NOTED, RESISTOR VALUES IN OHMS, 1/4W-5% TOL.  
CAPACITOR VALUES IN MICROFARADS, 50V-10% TOL.
  - 3) VOLTAGES ARE MEASURED WITH 1 MEGOHM OSCILLOSCOPE  
AND 10 MEGOHM DIGITAL VOLTMETER.

REV	Date	DESCRIPTION	Ecr(s)/Ecn(s)	Chgd By	Appvd by	Date
1	5/23/03	NOISE ISSUES, BOARD TO -02				
0	8/30/01	CONTROL ISSUE				

THE INFORMATION CONTAINED ON THIS DRAWING IS PROPRIETARY TO  
ST. LOUIS MUSIC, INC.

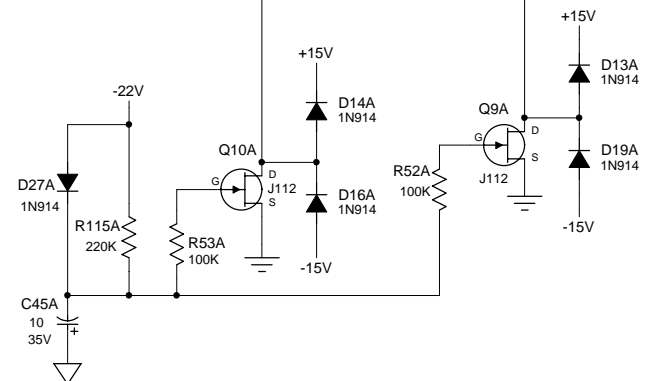
Signatures:		Date:
Drawn:	WFB	6/4/01
Checked:		
Released:		
Plot Date: Fri Jun 13, 2003	Drawing Size: C	Drawing Title:
Plot Time: 09:00:39	Drawing Type: Schematic	<b>PWA-BASS PREAMP A</b>
Tolerance:	Class Code: NONE	Drawing Number:
	Sheet 1 of 4	<b>07S565</b>



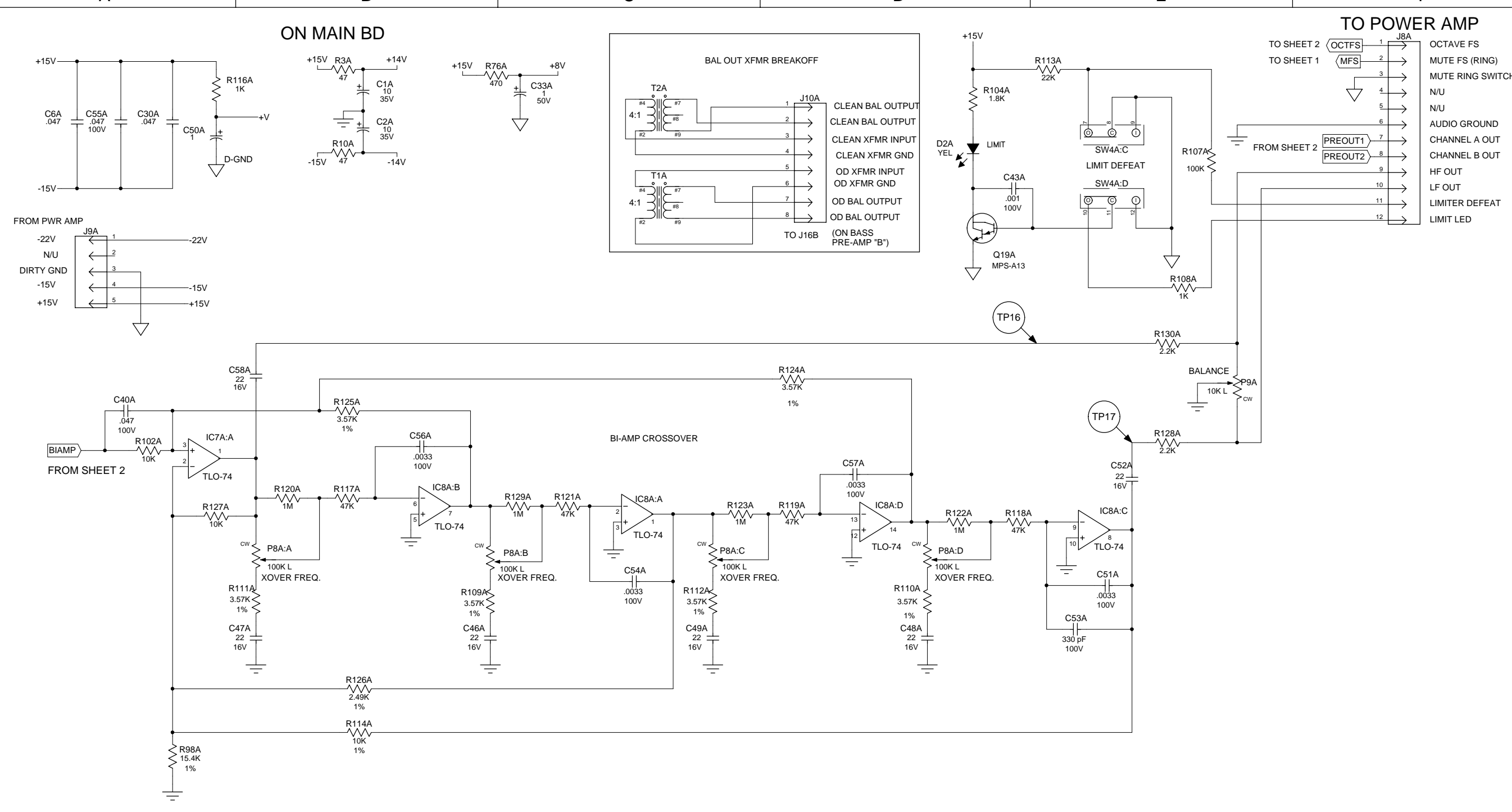


**CAUTION:**  
 THIS SCHEMATIC IS PROVIDED FOR USE BY QUALIFIED PERSONNEL. TO AVOID RISK OF ELECTRIC SHOCK, REFER SERVICING TO QUALIFIED SERVICE PERSONNEL. DO NOT PERFORM ANY SERVICING BEYOND THAT EXPLAINED IN THE OPERATING INSTRUCTIONS.

- NOTES:**
- 1) CAUTION: SHOCK HAZARD!! THIS UNIT CONTAINS HAZARDOUS VOLTAGE. DISCONNECT POWER AND BE SURE POWER SUPPLY IS DISCHARGED BEFORE TOUCHING INTERNAL PARTS.
  - 2) UNLESS NOTED, RESISTOR VALUES IN OHMS, 1/4W-5% TOL. CAPACITOR VALUES IN MICROFARADS, 50V-10% TOL.
  - 3) VOLTAGES ARE MEASURED WITH 1 MEGOHM OSCILLOSCOPE AND 10 MEGOHM DIGITAL VOLTMETER.



1	5/23/03	NOISE ISSUES, BOARD TO -02	N01232			
0	8/30/01	CONTROL ISSUE				
REV	Date	DESCRIPTION	Ecr(s)/Ecn(s)	Chgd By	Appvd by	Date
THE INFORMATION CONTAINED ON THIS DRAWING IS PROPRIETARY TO ST. LOUIS MUSIC, INC.						
Signatures:			Date:		 11880 Borman Drive, St. Louis, MO 63146 First Used On:	
Drawn: WFB			6/4/01			
Checked:						
Released:						
Plot Date: Fri Jun 13, 2003		Drawing Size: C		Drawing Title: PWA-BASS PREAMP A		
Plot Time: 09:00:40		Drawing Type: Schematic		Drawing Number: 07S565		
Tolerance:		Class Code: NONE		Sheet 2 of 4		



**CAUTION:**  
 THIS SCHEMATIC IS PROVIDED FOR USE BY QUALIFIED PERSONNEL. TO AVOID RISK OF ELECTRIC SHOCK, REFER SERVICING TO QUALIFIED SERVICE PERSONNEL. DO NOT PERFORM ANY SERVICING BEYOND THAT EXPLAINED IN THE OPERATING INSTRUCTIONS.


**NOTES:**  
 1) CAUTION: SHOCK HAZARD!! THIS UNIT CONTAINS HAZARDOUS VOLTAGE. DISCONNECT POWER AND BE SURE POWER SUPPLY IS DISCHARGED BEFORE TOUCHING INTERNAL PARTS.  
 2) UNLESS NOTED, RESISTOR VALUES IN OHMS, 1/4W-5% TOL. CAPACITOR VALUES IN MICROFARADS, 50V-10% TOL.  
 3) VOLTAGES ARE MEASURED WITH 1 MEGOHM OSCILLOSCOPE AND 10 MEGOHM DIGITAL VOLTMETER.

1	5/23/03	NOISE ISSUES, BOARD TO -02	N01232			
0	8/30/01	CONTROL ISSUE				
REV	Date	DESCRIPTION	Ecr(s)/Ecn(s)	Chgd By	Appvd by	Date
THE INFORMATION CONTAINED ON THIS DRAWING IS PROPRIETARY TO ST. LOUIS MUSIC, INC.						
<b>Signatures:</b>			<b>Date:</b>		 11880 Borman Drive, St. Louis, MO 63146 First Used On:	
Drawn: WFB			6/4/01			
Checked:						
Released:					Drawing Title: <b>PWA-BASS PREAMP A</b>	
Plot Date: Fri Jun 13, 2003		Drawing Size: C		Drawing Number: <b>07S565</b>		
Plot Time: 09:00:40		Drawing Type: Schematic				
Tolerance:		Class Code: NONE				
		Sheet 3 of 4				

- TEST POINT CONDITIONS
- 1 KHZ 35mVrms INPUT SIGNAL
  - 2 CLEAN GAIN, VOLUMES, MASTER @ "10"
  - 3 OVERDRIVE GAIN, TONES @ "5"
  - 4 BUTTONS "OUT"
  - 5 \* TEST POINT ON 07566-XX SCHEMATIC

TEST POINTS


T.P.	AC VOLTAGE	DC VOLTAGE	WAVEFORM	CONDITIONS:
TP1	2.5V pp	0V		
TP1	0.4V pp	0V		PAD BUTTON "IN"
TP2	1.4V pp	0V		
TP3	--	1.5V		
TP3	--	1.8V		COMPRESSOR BUTTON "IN"
TP4	--	12V		
TP4	--	0V		MUTE BUTTON "IN"
TP5	1.3V pp	0V		
TP6	5.8V pp	0V		
* TP7	.14V pp	0V		
* TP7	.7V pp	0V	CLIPPED	BOOST BUTTON "IN"
* TP8	2.2V pp	0V	CLIPPED	
* TP9	.3V pp	0V	CLIPPED	
TP10	2.4V pp	0V	CLIPPED	CHAN. SELECT BUTTON "IN"
* TP11	--	14V		
* TP11	--	0V		GATE BUTTON "IN" W/ NO SIGNAL

T.P.	AC VOLTAGE	DC VOLTAGE	WAVEFORM	CONDITIONS:
TP12	--	14V		
TP12	--	0V		CHAN. SELECT BUTTON "IN"
TP13	--	0V		
TP13	--	14V		COMBINE BUTTON "IN"
TP14	--	0V		
TP14	--	15V		OCTAVE FOOTSW. CLOSED
TP15	8V	4V		
TP16	0.4V pp	0V		FREQ. CCW; BAL CW
TP16	0V	0V		FREQ. CW; BAL CCW
TP17	0.4V pp	0V		FREQ. CW; BAL CCW
TP17	0V	0V		FREQ. CCW; BAL CW

RefDes	Value	-14V	+15V	-15V	+14V	+8V	D-GND
IC1A	TLO-72	4			8		
IC2A	TLO-72		8	4			
IC3A	NE5532		8	4			
IC4A	TLO-74		4	11			
IC5A	CD4013					14	7
IC6A	TLO-74		4	11			
IC7A	TLO-74		4	11			
IC8A	TLO-74		4	11			

CAUTION:  
THIS SCHEMATIC IS PROVIDED FOR USE BY QUALIFIED PERSONNEL.  
TO AVOID RISK OF ELECTRIC SHOCK, REFER SERVICING TO QUALIFIED  
SERVICE PERSONNEL. DO NOT PERFORM ANY SERVICING BEYOND  
THAT EXPLAINED IN THE OPERATING INSTRUCTIONS.

- NOTES:
- 1) CAUTION: SHOCK HAZARD!!  
THIS UNIT CONTAINS HAZARDOUS VOLTAGE. DISCONNECT POWER  
AND BE SURE POWER SUPPLY IS DISCHARGED BEFORE  
TOUCHING INTERNAL PARTS.
  - 2) UNLESS NOTED, RESISTOR VALUES IN OHMS, 1/4W-5% TOL.  
CAPACITOR VALUES IN MICROFARADS, 50V-10% TOL.
  - 3) VOLTAGES ARE MEASURED WITH 1 MEGOHM OSCILLOSCOPE  
AND 10 MEGOHM DIGITAL VOLTMETER.

1	5/23/03	NOISE ISSUES, BOARD TO -02	N01232			
0	8/30/01	CONTROL ISSUE				
REV	Date	DESCRIPTION	Ecr(s)/Ecn(s)	Chgd By	Appvd by	Date
THE INFORMATION CONTAINED ON THIS DRAWING IS PROPRIETARY TO ST. LOUIS MUSIC, INC.						
Signatures:			Date:		 11880 Borman Drive, St. Louis, MO 63146 First Used On:	
Drawn: WFB		6/4/01				
Checked:						
Released:						
Plot Date: Fri Jun 13, 2003		Drawing Size: C		Drawing Title: <b>PWA-BASS PREAMP A</b>		
Plot Time: 09:00:41		Drawing Type: Schematic		Drawing Number: <b>07S565</b>		
Tolerance:		Class Code: NONE		Sheet 4 of 4		