

TEST POINT CONDITIONS:
 1. ALL CONTROLS @ 'S' EXCEPT COMPRESSION @ 'T'.
 2. LINE OUTPUT CONTROL @ '16'.
 3. PREPOST OUT.

NOTE: COMPONENTS WITHIN DASHES ARE ON TUBE BREAK-OFF PCB.

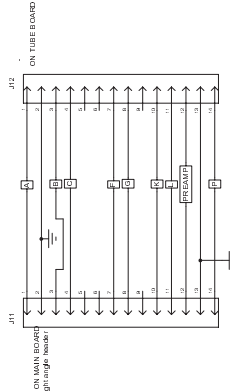
CAUTION:
 1. THIS SCHEMATIC IS PROVIDED FOR USE BY QUALIFIED PERSONNEL.
 2. THIS UNIT CONTAINS HAZARDOUS VOLTAGE. DISCONNECT POWER BEFORE SERVICING.
 3. SERVICE PERSONNEL SHOULD NOT PERFORM ANY SERVICES BEYOND THAT EXPLAINED IN THE OPERATING INSTRUCTIONS.

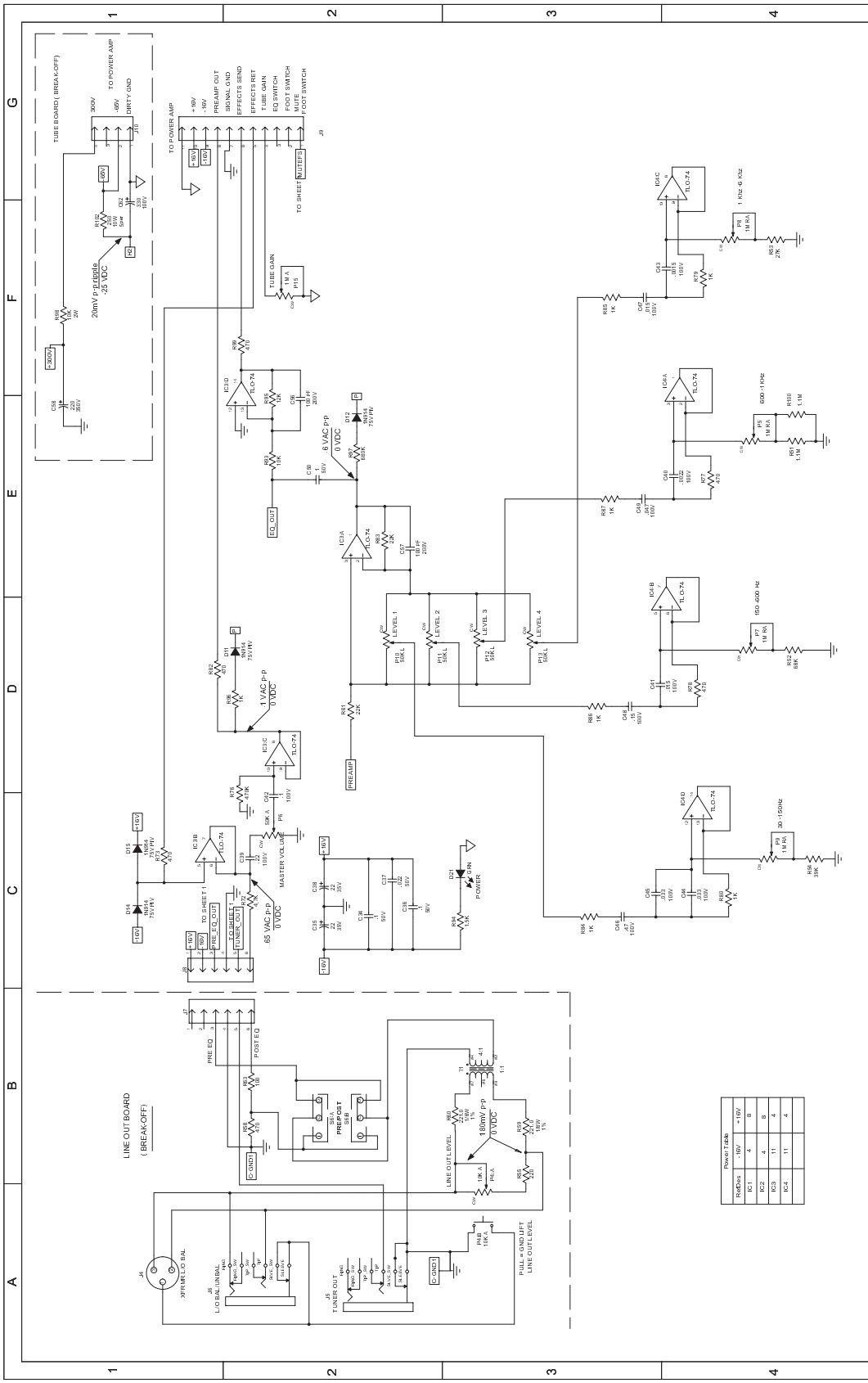
NOTES:
 1. CONTROL - SUCK LAZARD!
 2. THIS UNIT CONTAINS HAZARDOUS VOLTAGE. DISCONNECT POWER BEFORE SERVICING.
 3. TOUCHING INTERIOR PARTS OF THIS UNIT WHILE IT IS DISCHARGED BEFORE TOUCHING INTERIOR PARTS.
 4. UNLESS NOTED, RESISTOR VALUES IN OHMS, 1/4W-5% TOL.
 5. VOLTAGES ARE MEASURED WITH A MEGOHM OSCILLOSCOPE AND 10 MEGOHM DIGITAL VOLTMETER.

REV	Date	DESCRIPTION	Created By	App'd by	Date
0	09/20/05	CONTRACT ISSUE	REM		
A	04/25/05	INITIAL BASE			

Signatures:	
Drawn:	Date: 10/02/05
Checked:	Print Used On: 1801 Comproment, B. Lutz, MD 07448
Released:	
Part Order Part No.:	07S793
Part Date:	04/25/05
Part Price:	66-4527
Tolerances:	
Sheet 1 of 2	

FOR ASSY PIN 07-793-01





REV	Date	Description	Entered by	Checked by	Date
0	06/20/03	CONTRACT RELEASE			
A	07/05/05	INITIAL ISSUE			

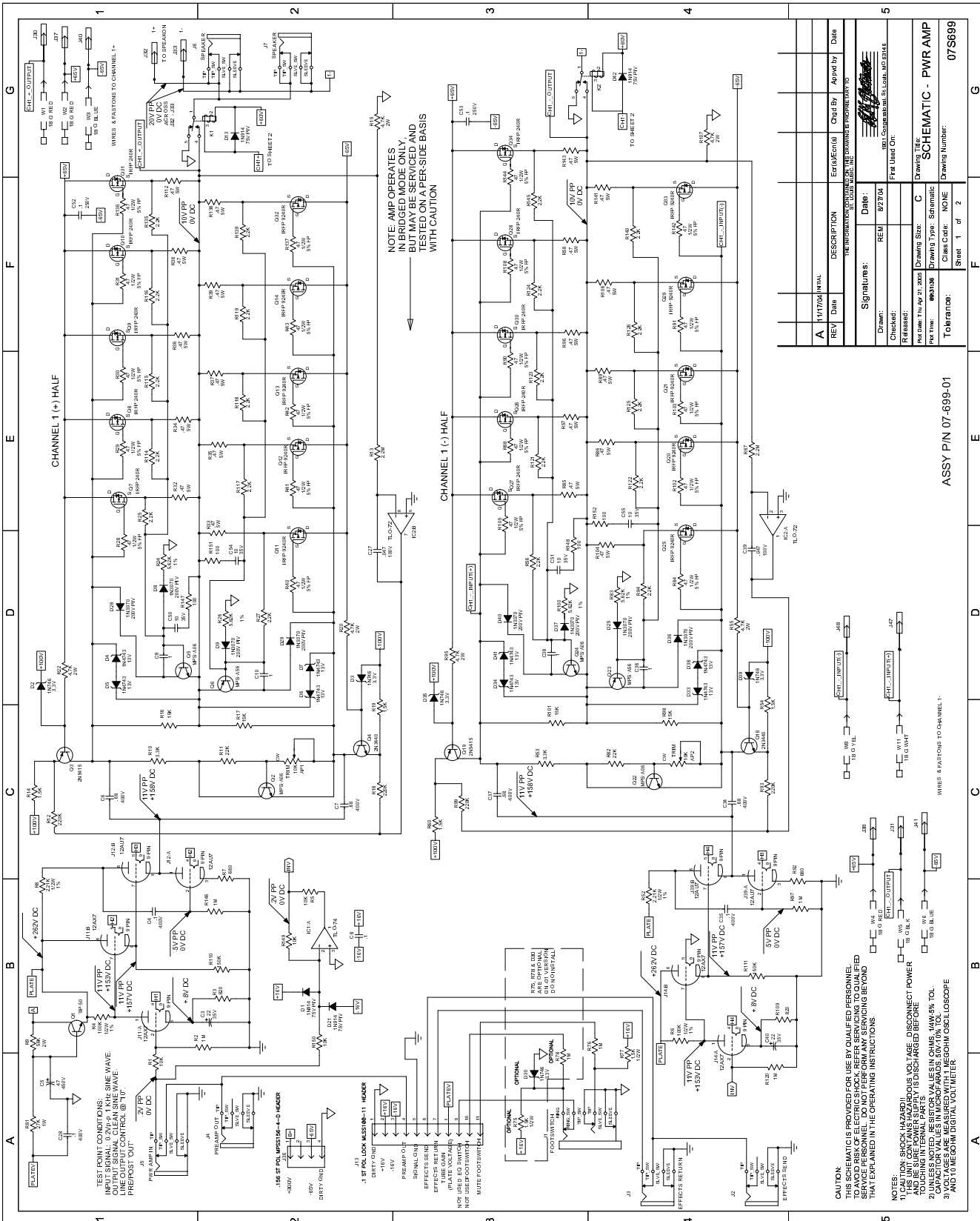
Signature:	Date:	First Used On:
<i>[Signature]</i>	06/20/03	9991 Computerized B. LUMI.MC03146

Released:	Checked:	Class Code:	None
Pls. Case: F-1 Sep. 20, 2006	06-4627	07S793	Sheet 2 of 2

CAUTION: THIS SCHEMATIC IS PROVIDED FOR USE BY QUALIFIED PERSONNEL. IT IS NOT TO BE USED FOR REPAIR OR SERVICE. SERVICING TO QUALIFIED PERSONNEL ONLY. THE INFORMATION CONTAINED HEREIN IS PROPRIETARY TO THE COMPANY AND IS NOT TO BE REPRODUCED OR TRANSMITTED IN ANY FORM OR BY ANY MEANS, ELECTRONIC OR MECHANICAL, INCLUDING PHOTOCOPYING, RECORDING, OR BY ANY INFORMATION STORAGE AND RETRIEVAL SYSTEM.

NOTES:

- 1) ALL CAPACITORS ARE 50V UNLESS OTHERWISE SPECIFIED.
- 2) THIS UNIT CONTAINS HAZARDOUS VOLTAGE. DISCONNECT POWER AND BE SURE POWER SUPPLY IS DISCHARGED BEFORE SERVICING.
- 3) UNLESS NOTED, RESISTOR VALUES IN OHMS, 1%W-5% TOL.
- 4) CAPACITOR VALUES IN MICROFARADS, 50V-100% TOL.
- 5) ALL DIMENSIONS ARE IN MILLIMETERS UNLESS OTHERWISE SPECIFIED.
- 6) ALL DIMENSIONS ARE IN MILLIMETERS UNLESS OTHERWISE SPECIFIED.
- 7) ALL DIMENSIONS ARE IN MILLIMETERS UNLESS OTHERWISE SPECIFIED.
- 8) ALL DIMENSIONS ARE IN MILLIMETERS UNLESS OTHERWISE SPECIFIED.
- 9) ALL DIMENSIONS ARE IN MILLIMETERS UNLESS OTHERWISE SPECIFIED.
- 10) ALL DIMENSIONS ARE IN MILLIMETERS UNLESS OTHERWISE SPECIFIED.



REV	DATE	DESCRIPTION	CHG BY	APPR BY	DATE
A	1/17/70	INITIAL			

THE IMPROVING DESIGN WITH THE EXISTING PRODUCTION TO

Drawn:	REM	Date:	8/27/74
Checked:			
Released:			

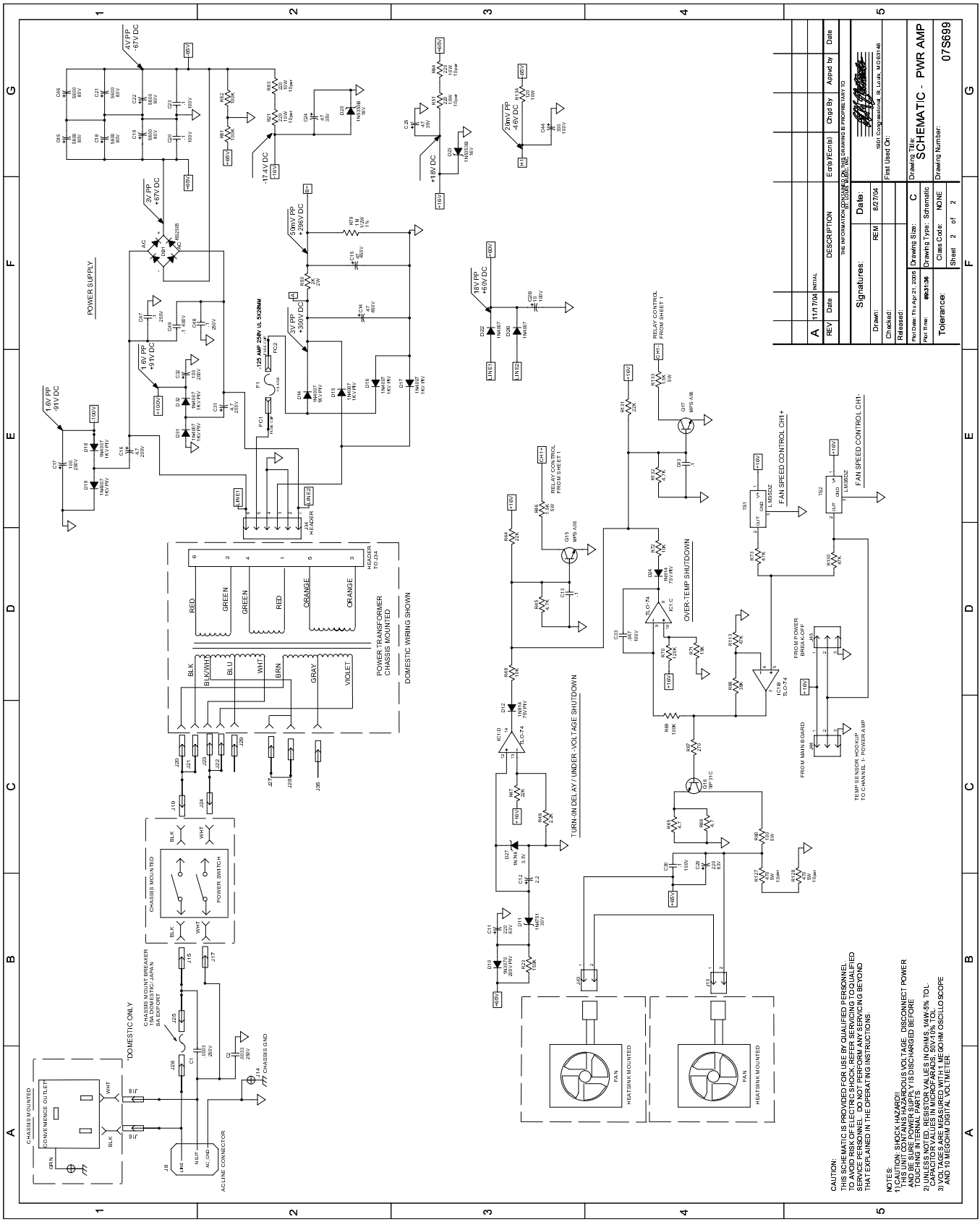
Part Name: Pwr. Amp. 21. 2000
 Drawing Type: Schematic
 Title: SCHEMATIC - PWR AMP
 Class Code: NONE
 Drawing Number: 07S899
 Sheet 1 of 2

Wires 4 Factors to Channel 1-
 Wires 4 Factors to Channel 1-
 Wires 4 Factors to Channel 1-
 Wires 4 Factors to Channel 1-

CAUTION: SHOCK HAZARD!
 THIS UNIT CONTAINS CAPACITORS WHICH STORE HAZARDOUS VOLTAGE. DO NOT CONNECT POWER TOUCHING INTERNAL PARTS.
 CAPACITORS MUST BE DISCHARGED BEFORE WORKING ON THE UNIT.
 3) VOLTAGES ARE MEASURED WITH 1 MEGOHM OSCILLOSCOPE AND 10 MEGOHM DIGITAL VOLTMETER

NOTES:
 1) CAUTION: SHOCK HAZARD!
 THIS UNIT CONTAINS CAPACITORS WHICH STORE HAZARDOUS VOLTAGE. DO NOT CONNECT POWER TOUCHING INTERNAL PARTS.
 CAPACITORS MUST BE DISCHARGED BEFORE WORKING ON THE UNIT.
 2) VOLTAGES ARE MEASURED WITH 1 MEGOHM OSCILLOSCOPE AND 10 MEGOHM DIGITAL VOLTMETER

Wires 4 Factors to Channel 1-
 Wires 4 Factors to Channel 1-
 Wires 4 Factors to Channel 1-
 Wires 4 Factors to Channel 1-

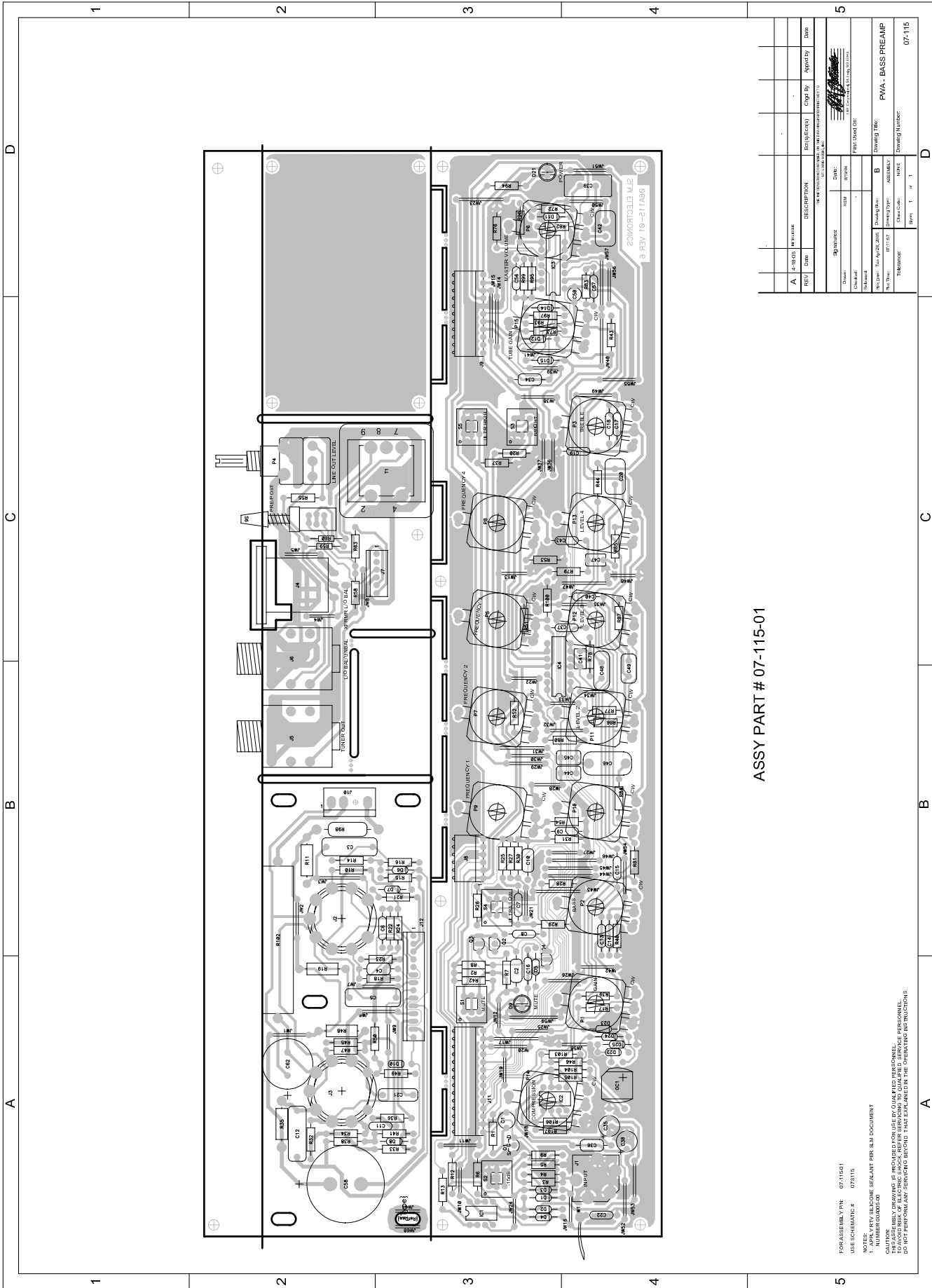


REV	Date	DESCRIPTION	Errob/Ecnls	Chgd By	Date
A	1/17/04	INITIAL			

Drawn:	REM	Date:	8/27/04	First Used On:	996 Computerized S. LUMA MCB3446
Checked:					
Released:					
Part Name:	0631398	Part Case:	Thu-Apr-21-2005	Drawing Size:	C
		Class Code:	NONE	Drawing Type:	Schematic
Tolerance:					
Sheet	2	of	2		

CAUTION: THIS SCHEMATIC IS PROVIDED FOR USE BY QUALIFIED PERSONNEL. TO AVOID THE RISK OF ELECTRICAL SHOCK, REFER TO THE QUALIFIED PERSONNEL BEFORE SERVICING THIS UNIT. THE INFORMATION CONTAINED HEREIN IS UNCLASSIFIED AND IS NOT TO BE RELEASED TO THE PUBLIC WITHOUT THE WRITTEN PERMISSION OF THE BUREAU OF ELECTRIC DELIVERY.

NOTES:
 1) THIS UNIT CONTAINS HAZARDOUS VOLTAGE. DISCONNECT POWER AND BE SURE POWER SUPPLY IS DISCHARGED BEFORE SERVICING.
 2) UNLESS NOTED, RESISTOR VALUES IN OHMS, 1%W-5% TOL.
 3) CAPACITOR VALUES IN MICROFARADS, 50V-100V TOL.
 4) ALL DIMENSIONS ARE IN MILLIMETERS UNLESS OTHERWISE NOTED.
 5) ALL DIMENSIONS ARE IN MILLIMETERS UNLESS OTHERWISE NOTED.
 6) ALL DIMENSIONS ARE IN MILLIMETERS UNLESS OTHERWISE NOTED.
 7) ALL DIMENSIONS ARE IN MILLIMETERS UNLESS OTHERWISE NOTED.
 8) ALL DIMENSIONS ARE IN MILLIMETERS UNLESS OTHERWISE NOTED.
 9) ALL DIMENSIONS ARE IN MILLIMETERS UNLESS OTHERWISE NOTED.
 10) ALL DIMENSIONS ARE IN MILLIMETERS UNLESS OTHERWISE NOTED.



ASSY PART # 07-115-01

FOR ASSEMBLY P/N: 07-11041
 USE SCHEMATIC # 075115

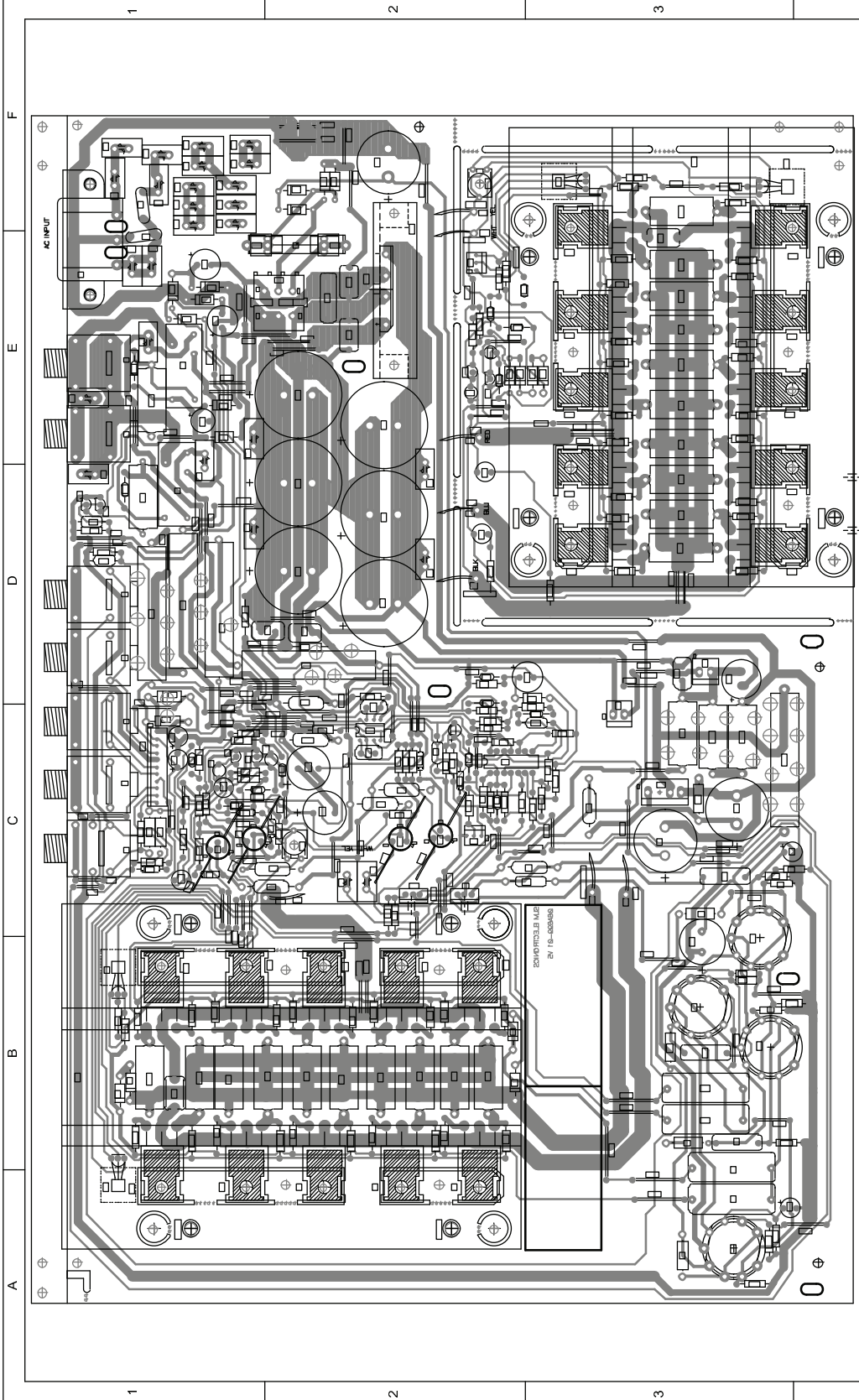
NOTES:
 1. APPLY VERY SILICONE SEALANT PER SLM DOCUMENT
 NUMBER 5000450

THIS ASSEMBLY DRAWING IS PROVIDED FOR USE BY QUALIFIED PERSONNEL.
 IT IS NOT TO BE USED FOR REPAIR OR MAINTENANCE PURPOSES.
 DO NOT PERFORM ANY SERVICE BEFORE THAT EXPLAINED IN THE OPERATING INSTRUCTIONS.

REV	DATE	DESCRIPTION	ENG/DESIGN	CHKD BY	APP'D BY	DATE
A	4-18-05	INITIALS				

DESIGNER	DATE	DESIGNED BY	DATE
CHKD BY	DATE	APP'D BY	DATE
ASSEMBLY	DATE	TESTING	DATE
OPERATION	DATE	REWORK	DATE
REVISION	DATE	REWORK	DATE

Part Name:	07-115-01	Drawing Title:	PWA - BASS PREAMP
Part No.:	07-115-01	Assembly	
Revision:	01	Quantity:	
Reference:	Sheet 1 of 1	Drawing Number:	07-115



FOR ASSEMBLY P/N: 07-6891
 USE SCHEMATIC # 07689

NOTES:
 1. REFER TO SERVICE MANUAL FOR ASSEMBLY INSTRUCTIONS.

CAUTION:
 THE ASSEMBLY DRAWING IS PROVIDED FOR USE BY QUALIFIED PERSONNEL. THE MANUFACTURER ASSUMES NO LIABILITY FOR DAMAGE TO PROPERTY OR PERSONS. DO NOT PERFORM ANY SERVICING BEYOND THAT EXPLOAINED IN THE OPENING INSTRUCTIONS.

REV	DATE	DESCRIPTION	DESIGNED BY	APP'D BY	DATE
B	03/18/05	ADDED SHEET 2	RM/AS	MF/B	
A	03/1/05	INITIAL ISSUE			

REVISIONS

SYNOPSIS	DATE	BY
REVISION	10/02/04	THEL/DAK/OK

DATE: 11 May 13, 2005
 DRAWING TITLE: C
 DRAWING TYPE: ASSEMBLY
 P/N: 1312.11
 CLASS CODE: NONE
 TOLERANCE: NONE

Sheet 1 of 2

07-689

PWA - 1000W BASS AMP

© 2005 PIONEER ELECTRONIC CORP. ALL RIGHTS RESERVED.

