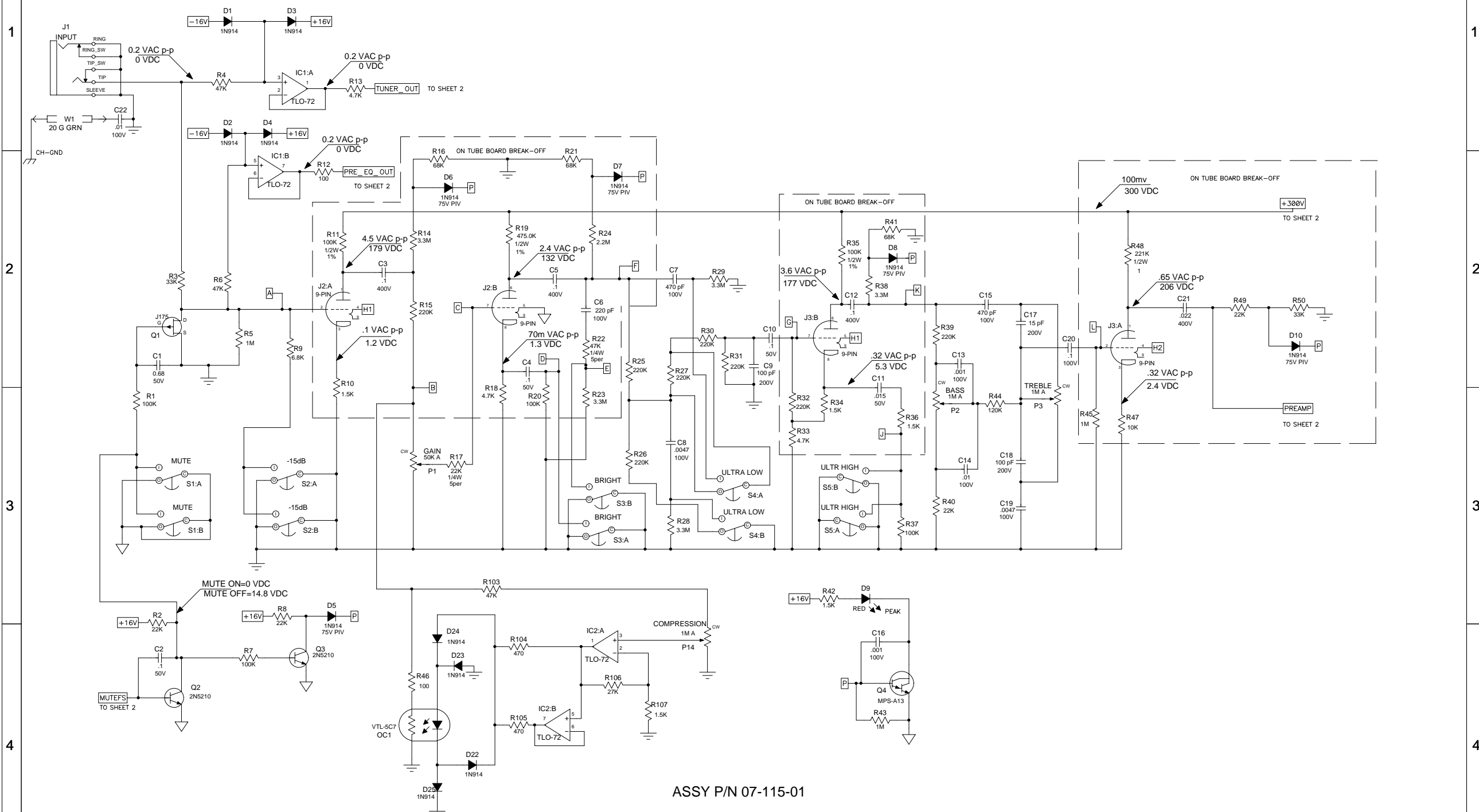
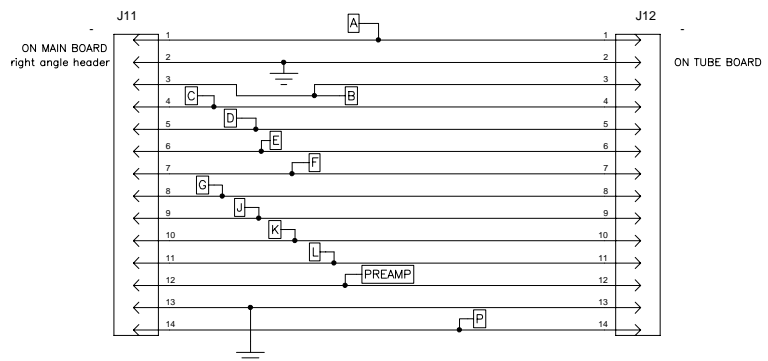


TEST POINT CONDITIONS:
 INPUT SIGNAL: 0.2Vp-p 1 KHz SINE WAVE.
 LINE OUTPUT CONTROL @ '10'.
 PRE/POST 'OUT'

ALL CONTROLS @ '5' EXCEPT COMPRESSION @ '0',
 AND TUBE VOLTAGE @ '10'. ALL SWITCHES 'OUT'.



ASSY P/N 07-115-01



NOTE: COMPONENTS WITHIN DASHES ARE ON TUBE BREAK-OFF PCB.

CAUTION:
 THIS SCHEMATIC IS PROVIDED FOR USE BY QUALIFIED PERSONNEL. TO AVOID RISK OF ELECTRIC SHOCK, REFER SERVICING TO QUALIFIED SERVICE PERSONNEL. DO NOT PERFORM ANY SERVICING BEYOND THAT EXPLAINED IN THE OPERATING INSTRUCTIONS.

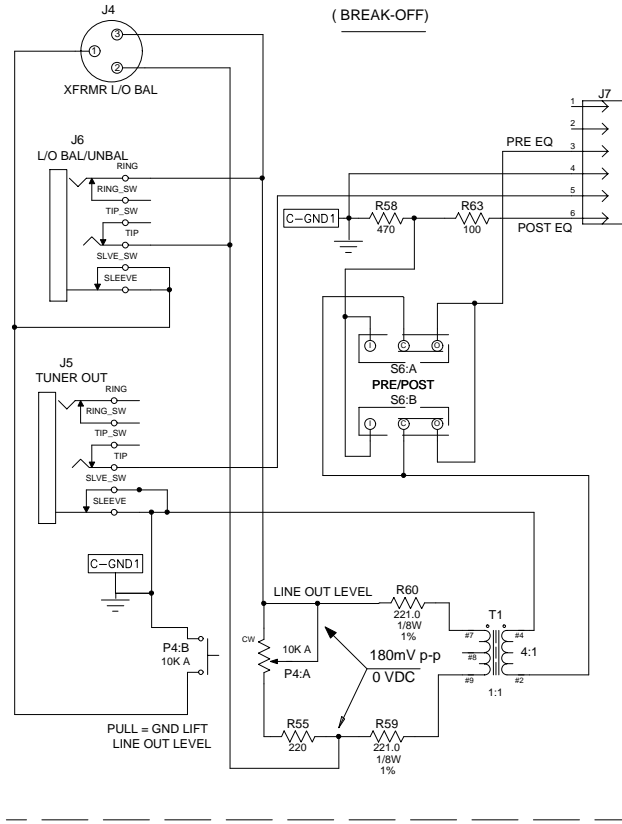
NOTES:
 1) CAUTION: SHOCK HAZARD!! THIS UNIT CONTAINS HAZARDOUS VOLTAGE. DISCONNECT POWER AND BE SURE POWER SUPPLY IS DISCHARGED BEFORE TOUCHING INTERNAL PARTS.
 2) UNLESS NOTED, RESISTOR VALUES IN OHMS, 1/4W-5% TOL. CAPACITOR VALUES IN MICROFARADS, 50V-10% TOL.
 3) VOLTAGES ARE MEASURED WITH 1 MEGOHM OSCILLOSCOPE AND 10 MEGOHM DIGITAL VOLTMETER.

REV	Date	DESCRIPTION	Ecr(s)/Ecn(s)	Chgd By	Appvd by	Date
A	4-18-05	INITIAL ISSUE				

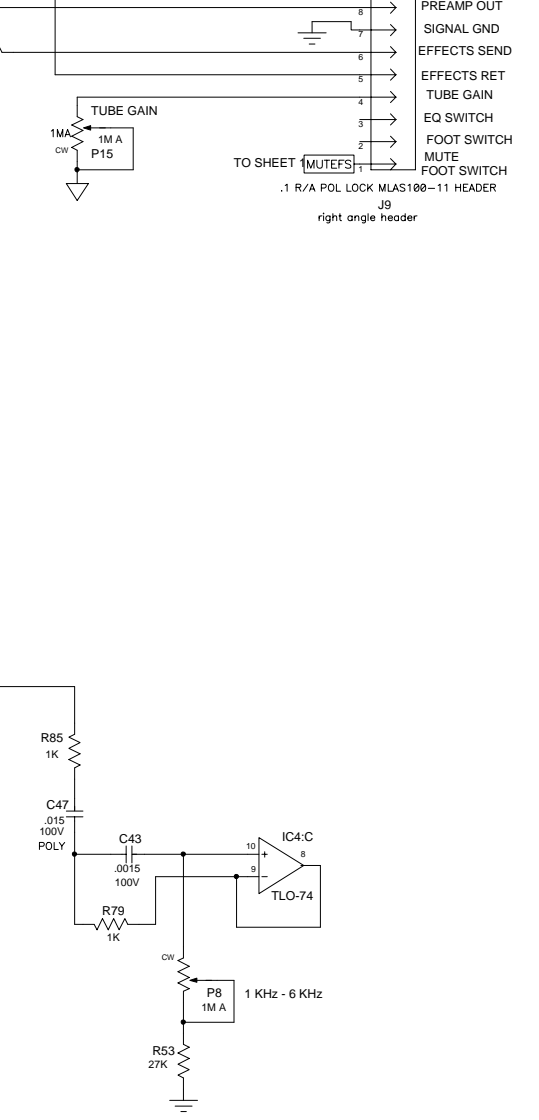
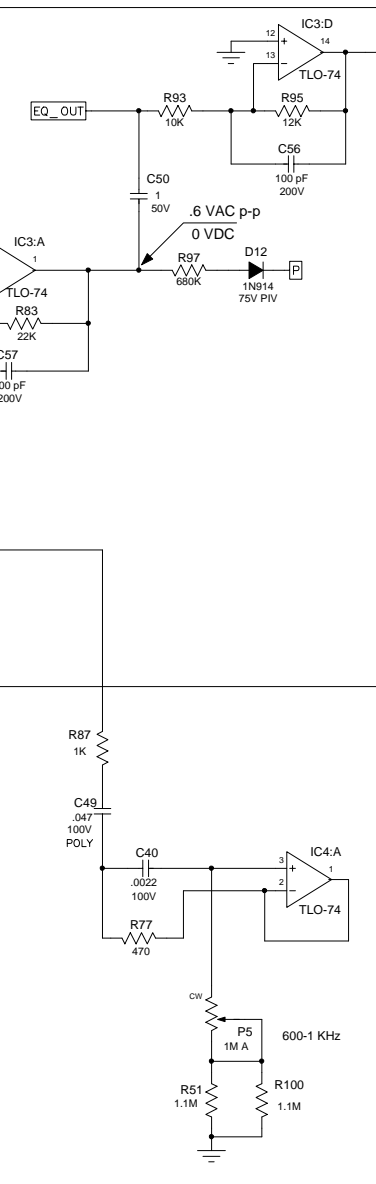
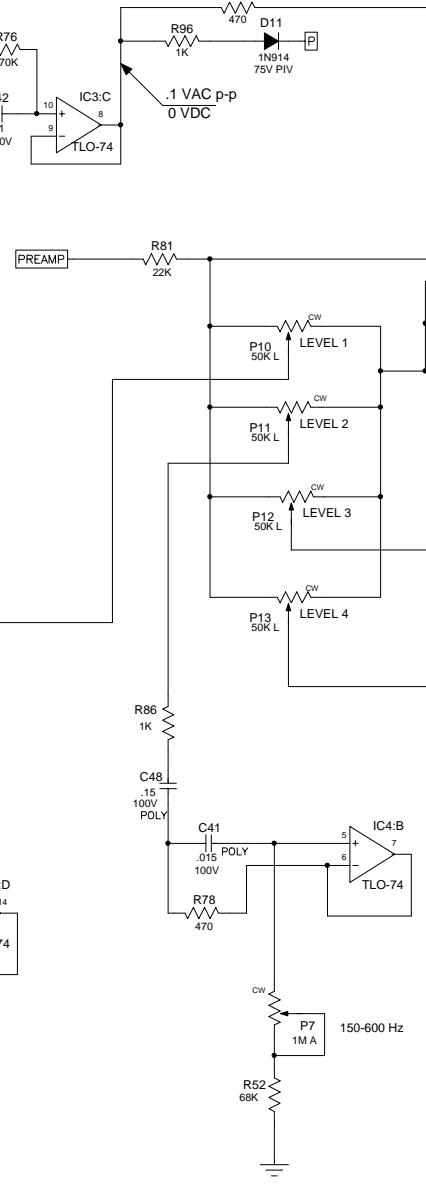
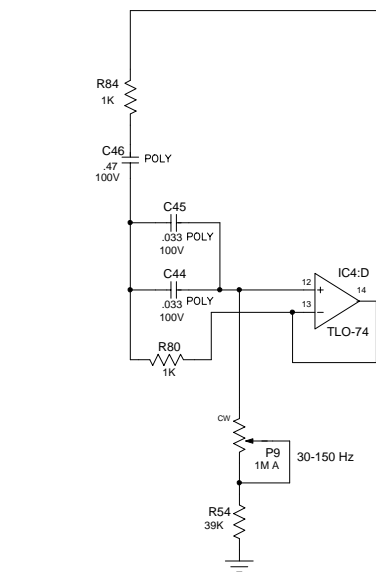
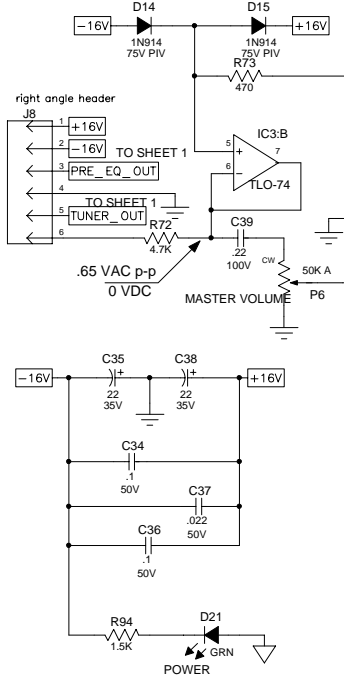
THE INFORMATION CONTAINED ON THIS DRAWING IS PROPRIETARY TO ST. LOUIS MUSIC, INC.

Signatures:	Date:	 1901 Congressional, St. Louis, MO 63146
Drawn: REM	8/17/04	
Checked: -	-	
Released:		

Plot Date: Tue Apr 26, 2005	Drawing Size: C	Drawing Title: SCHEMATIC - PREAMP
Plot Time: 07:04:09	Drawing Type: Schematic	Drawing Number: 07S115
Tolerance:	Class Code: NONE	Sheet 1 of 2



Power Table		
RefDes	-16V	+16V
IC1	4	8
IC2	4	8
IC3	11	4
IC4	11	4



CAUTION:
THIS SCHEMATIC IS PROVIDED FOR USE BY QUALIFIED PERSONNEL.
TO AVOID RISK OF ELECTRIC SHOCK, REFER SERVICING TO QUALIFIED
SERVICE PERSONNEL. DO NOT PERFORM ANY SERVICING BEYOND
THAT EXPLAINED IN THE OPERATING INSTRUCTIONS.

NOTES:
1) CAUTION: SHOCK HAZARD!!
THIS UNIT CONTAINS HAZARDOUS VOLTAGE. DISCONNECT POWER
AND BE SURE POWER SUPPLY IS DISCHARGED BEFORE
TOUCHING INTERNAL PARTS.
2) UNLESS NOTED, RESISTOR VALUES IN OHMS, 1/4W-5% TOL.
CAPACITOR VALUES IN MICROFARADS, 50V-10% TOL.
3) VOLTAGES ARE MEASURED WITH 1 MEGOHM OSCILLOSCOPE
AND 10 MEGOHM DIGITAL VOLTMETER.

REV	Date	DESCRIPTION	Ecr(s)/Ecn(s)	Chgd By	Appvd by	Date
A	4-18-05	INITIAL ISSUE				

THE INFORMATION CONTAINED ON THIS DRAWING IS PROPRIETARY TO
ST. LOUIS MUSIC, INC.

Signatures:	Date:	 1901 Congressional, St. Louis, MO 63146
Drawn: REM	8/17/04	
Checked: -	-	First Used On:
Released:		
Plot Date: Tue Apr 26, 2005	Drawing Size: C	Drawing Title:
Plot Time: 07:04:09	Drawing Type: Schematic	SCHEMATIC - PREAMP
Tolerance:	Class Code: NONE	Drawing Number:
	Sheet 2 of 2	07S115