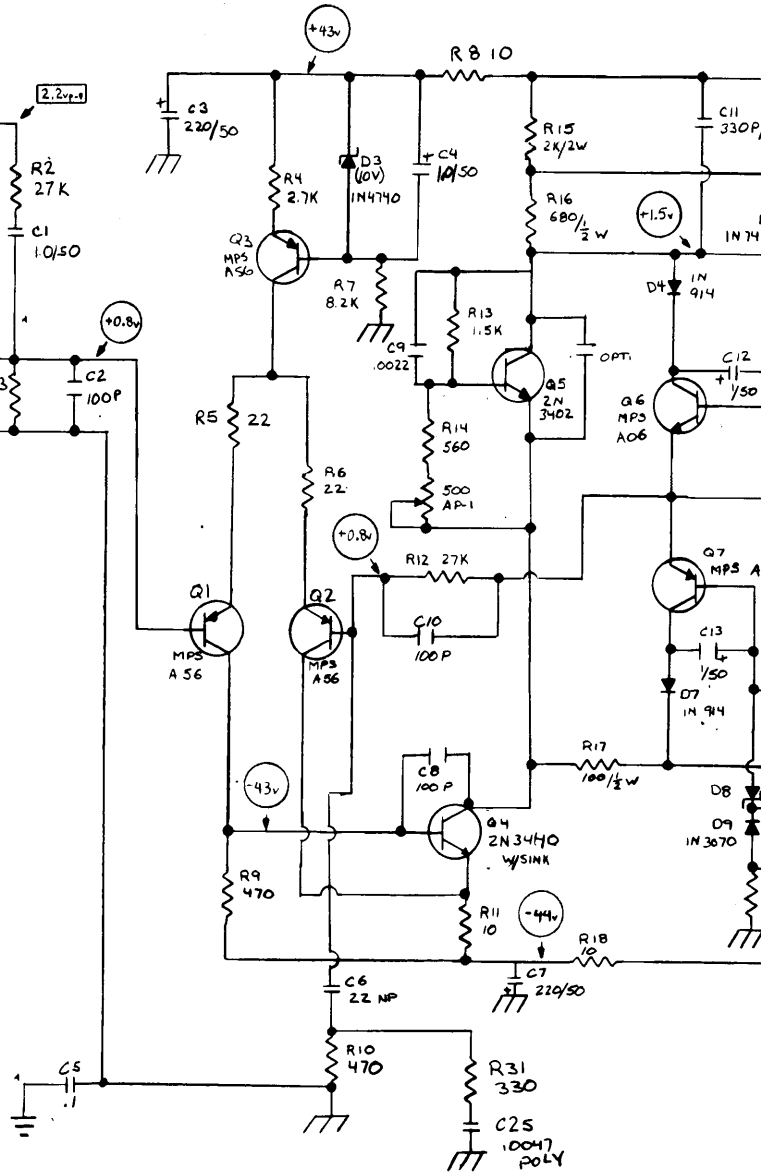


AC TERMINATION BREAK-OFF BOARD

PART	DESCRIPTION	PART NO.
C24	.0027 U.L.	10-27-0
C25	.0027 U.L.	10-27-0
CO-1	A.C. OUTLET	17-138-01
J10,11,14,15, 17, 18	.250 TAB	17-836-01
J12,13,16	.187 TAB	17-894-01
PS-1	POWER SWITCH	88-213-01
R1 SW-1	CHASSIS GND SW	88-211-03
T-1	TRANSFORMER	74-601-01
AC CORD	ASSEMBLY	99-079-01
F-1	4A FUSE	25-304-01



NOTES: 1) EXCEPT AS INDICATED, ALL CAPACITORS IN MFD @ 100 VDC, ALL RESISTORS IN OHMS @ 1/4 WATT 5% TOLERANCE

2) VOLTAGES MEASURED WITH: 1 MEGOHM INPUT OSCILLOSCOPE (AC), 10 MEGOHM INPUT D.V.M. (DC). TAKE LOADING INTO ACCOUNT IF USING OTHER EQUIPMENT.

□ AC SIGNAL VOLTAGE: 1 KHZ SINE WAVE INPUT, 4 OHM LOAD.

○ DC VOLTAGE: NO SIGNAL INPUT

3) BIAS VOLTAGE: NO SIGNAL, NO LOAD, @ 120 VAC. LINE 3 mV ACROSS R25, R27