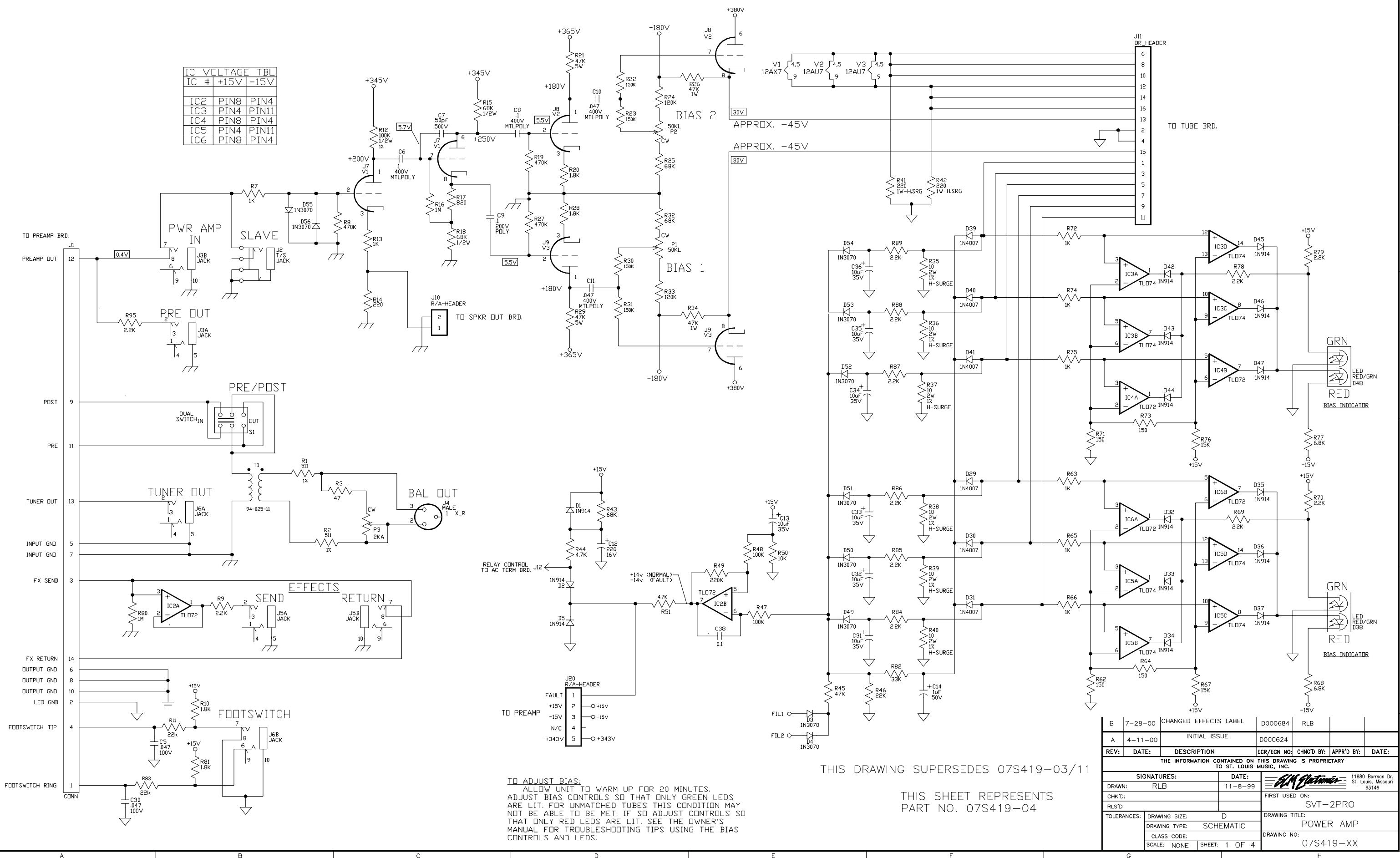


IC VOLTAGE TBL		
IC #	+15V	-15V
IC2	PIN8	PIN4
IC3	PIN4	PIN11
IC4	PIN8	PIN4
IC5	PIN4	PIN11
IC6	PIN8	PIN4



TO ADJUST BIAS:
 ALLOW UNIT TO WARM UP FOR 20 MINUTES.
 ADJUST BIAS CONTROLS SO THAT ONLY GREEN LEDES ARE LIT. FOR UNMATCHED TUBES THIS CONDITION MAY NOT BE ABLE TO BE MET. IF SO ADJUST CONTROLS SO THAT ONLY RED LEDES ARE LIT. SEE THE OWNER'S MANUAL FOR TROUBLESHOOTING TIPS USING THE BIAS CONTROLS AND LEDES.

THIS DRAWING SUPERSEDES 07S419-03/11

THIS SHEET REPRESENTS PART NO. 07S419-04

B	7-28-00	CHANGED EFFECTS LABEL	D000684	RLB		
A	4-11-00	INITIAL ISSUE	D000624			
REV:	DATE:	DESCRIPTION	ECR/ECN NO:	CHNG'D BY:	APPR'D BY:	DATE:
THE INFORMATION CONTAINED ON THIS DRAWING IS PROPRIETARY TO ST. LOUIS MUSIC, INC.						
SIGNATURES:			DATE:			
DRAWN: RLB			11-8-99			
CHK'D:			FIRST USED ON:			
RLS'D:			SVT-2PRO			
TOLERANCES:		DRAWING SIZE: D	DRAWING TITLE:			
		DRAWING TYPE: SCHEMATIC	POWER AMP			
		CLASS CODE:	DRAWING NO:			
		SCALE: NONE	07S419-XX			
		SHEET: 1 OF 4				

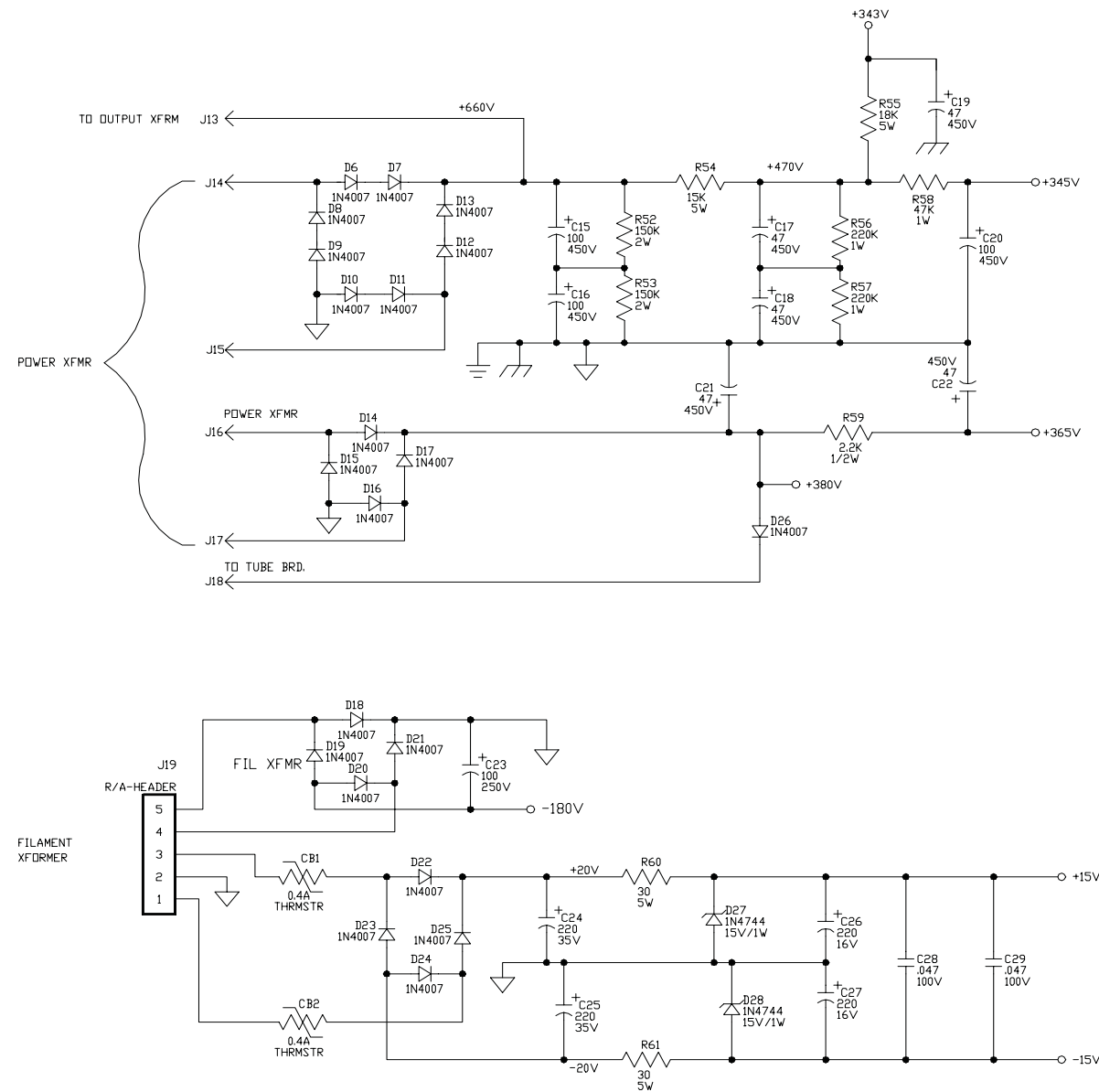


SVT-CL

©2007 LOUD Technologies Inc. All rights reserved

Power Amplifier PCB Schematics

PAGE 1



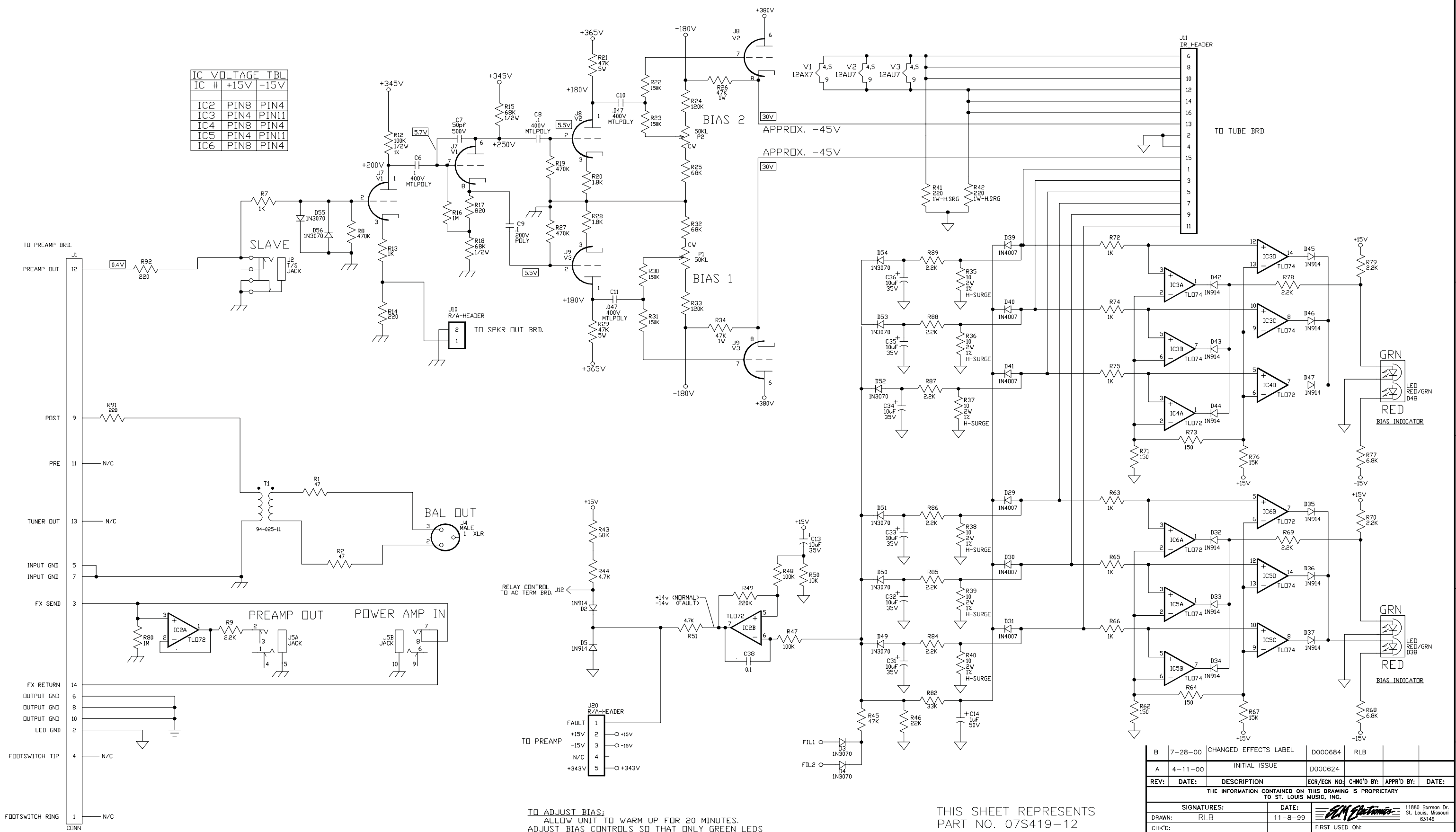
NOTES

- 1) CAUTION: SHOCK HAZARD!!
THIS UNIT CONTAINS HAZARDOUS VOLTAGE. DISCONNECT POWER AND BE SURE POWER SUPPLY IS DISCHARGED BEFORE TOUCHING INTERNAL PARTS.
- 2) UNLESS NOTED, RESISTOR VALUES IN OHMS, 1/4W-5% TOL. CAPACITOR VALUES IN MICROFARADS, 50V-10% TOL.
- 3) VOLTAGES ARE MEASURED WITH 1 MEGOHM OSCILLOSCOPE AND 10 MEGOHM DIGITAL VOLTMETER.
- 4) VOLTAGES IN RECTANGLES ARE RMS SIGNAL VOLTAGES WITH 0.4v IN. OTHER VOLTAGES ARE D.C. IN CONDITIONS STATED.
- 5) CIRCUIT GROUND ⏏ DIRTY GROUND ⏏ CHASSIS GROUND ⏏

THIS SHEET REPRESENTS
PART NO. 07-419-04

B	7-28-00	CHANGED EFFECTS LABEL	D000684	RLB		
A	4-11-00	INITIAL ISSUE	D000624			
REV:	DATE:	DESCRIPTION	ECR/ECN NO:	CHNG'D BY:	APPR'D BY:	DATE:
THE INFORMATION CONTAINED ON THIS DRAWING IS PROPRIETARY TO ST. LOUIS MUSIC, INC.						
SIGNATURES:			DATE:			
DRAWN: RLB			11-8-99			
CHK'D:			FIRST USED ON:			
RLS'D:			SVT-2PRO			
TOLERANCES:		DRAWING SIZE: D		DRAWING TITLE:		
		DRAWING TYPE: SCHEMATIC		POWER AMP		
		CLASS CODE:		DRAWING NO:		
		SCALE: NONE		07S419-XX		
		SHEET: 2 OF 4				

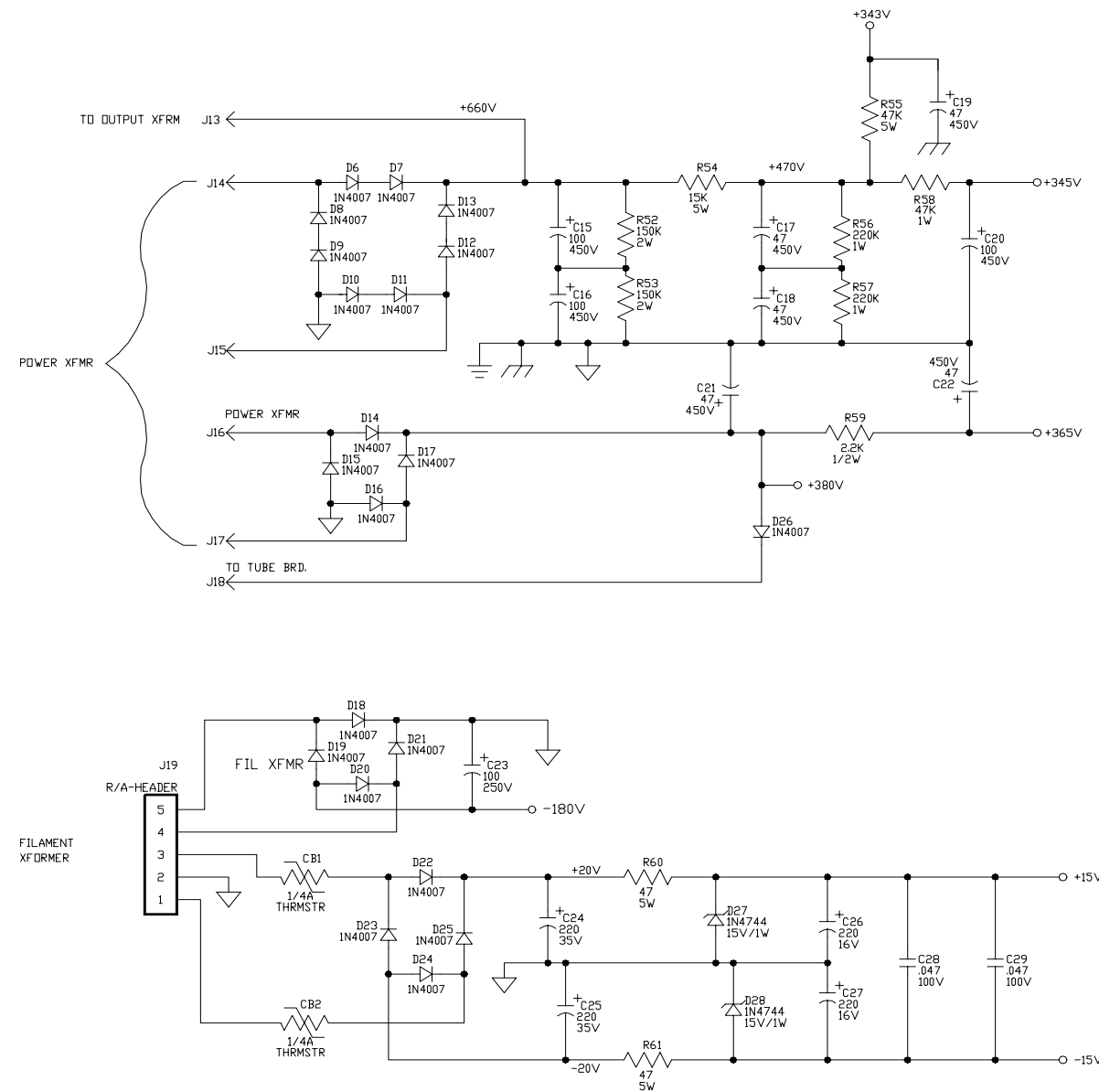
IC VOLTAGE TBL		
IC #	+15V	-15V
IC2	PIN8	PIN4
IC3	PIN4	PIN11
IC4	PIN8	PIN4
IC5	PIN4	PIN11
IC6	PIN8	PIN4



TO ADJUST BIAS:
 ALLOW UNIT TO WARM UP FOR 20 MINUTES.
 ADJUST BIAS CONTROLS SO THAT ONLY GREEN LEDS
 ARE LIT. FOR UNMATCHED TUBES THIS CONDITION MAY
 NOT BE ABLE TO BE MET. IF SO ADJUST CONTROLS SO
 THAT ONLY RED LEDS ARE LIT. SEE THE OWNER'S
 MANUAL FOR TROUBLESHOOTING TIPS USING THE BIAS
 CONTROLS AND LEDS.

THIS SHEET REPRESENTS
 PART NO. 07S419-12

B	7-28-00	CHANGED EFFECTS LABEL	D000684	RLB		
A	4-11-00	INITIAL ISSUE	D000624			
REV:	DATE:	DESCRIPTION	ECR/ECN NO:	CHNG'D BY:	APPR'D BY:	DATE:
THE INFORMATION CONTAINED ON THIS DRAWING IS PROPRIETARY TO ST. LOUIS MUSIC, INC.						
SIGNATURES:			DATE:		11-8-99	
DRAWN: RLB					FIRST USED ON: SVT-2PRO	
CHK'D:					DRAWING TITLE: POWER AMP	
RLS'D:					DRAWING NO: 07S419-XX	
TOLERANCES:		DRAWING SIZE: D	DRAWING TITLE:			
		DRAWING TYPE: SCHEMATIC				
		CLASS CODE:				
		SCALE: NONE	SHEET: 3 OF 4			



NOTES

- 1) CAUTION: SHOCK HAZARD!!
THIS UNIT CONTAINS HAZARDOUS VOLTAGE. DISCONNECT POWER AND BE SURE POWER SUPPLY IS DISCHARGED BEFORE TOUCHING INTERNAL PARTS.
- 2) UNLESS NOTED, RESISTOR VALUES IN OHMS, 1/4W-5% TOL. CAPACITOR VALUES IN MICROFARADS, 50V-10% TOL.
- 3) VOLTAGES ARE MEASURED WITH 1 MEGOHM OSCILLOSCOPE AND 10 MEGOHM DIGITAL VOLTMETER.
- 4) VOLTAGES IN RECTANGLES ARE RMS SIGNAL VOLTAGES WITH 0.4v IN. OTHER VOLTAGES ARE D.C. IN CONDITIONS STATED.
- 5) CIRCUIT GROUND ∇ DIRTY GROUND ∇ CHASSIS GROUND ∇

THIS SHEET REPRESENTS
PART NO. 07S419-12

B	7-28-00	CHANGED EFFECTS LABEL	D000684	RLB		
A	4-11-00	INITIAL ISSUE	D000624			
REV:	DATE:	DESCRIPTION	ECR/ECN NO:	CHNG'D BY:	APPR'D BY:	DATE:
THE INFORMATION CONTAINED ON THIS DRAWING IS PROPRIETARY TO ST. LOUIS MUSIC, INC.						
SIGNATURES:			DATE:			
DRAWN: RLB			11-8-99			
CHK'D:			FIRST USED ON:			
RLS'D			SVT-2PRO			
TOLERANCES:		DRAWING SIZE: D		DRAWING TITLE:		
		DRAWING TYPE: SCHEMATIC		POWER AMP		
		CLASS CODE:		DRAWING NO:		
		SCALE: NONE		07S419-XX		
		SHEET: 4 OF 4				