

A

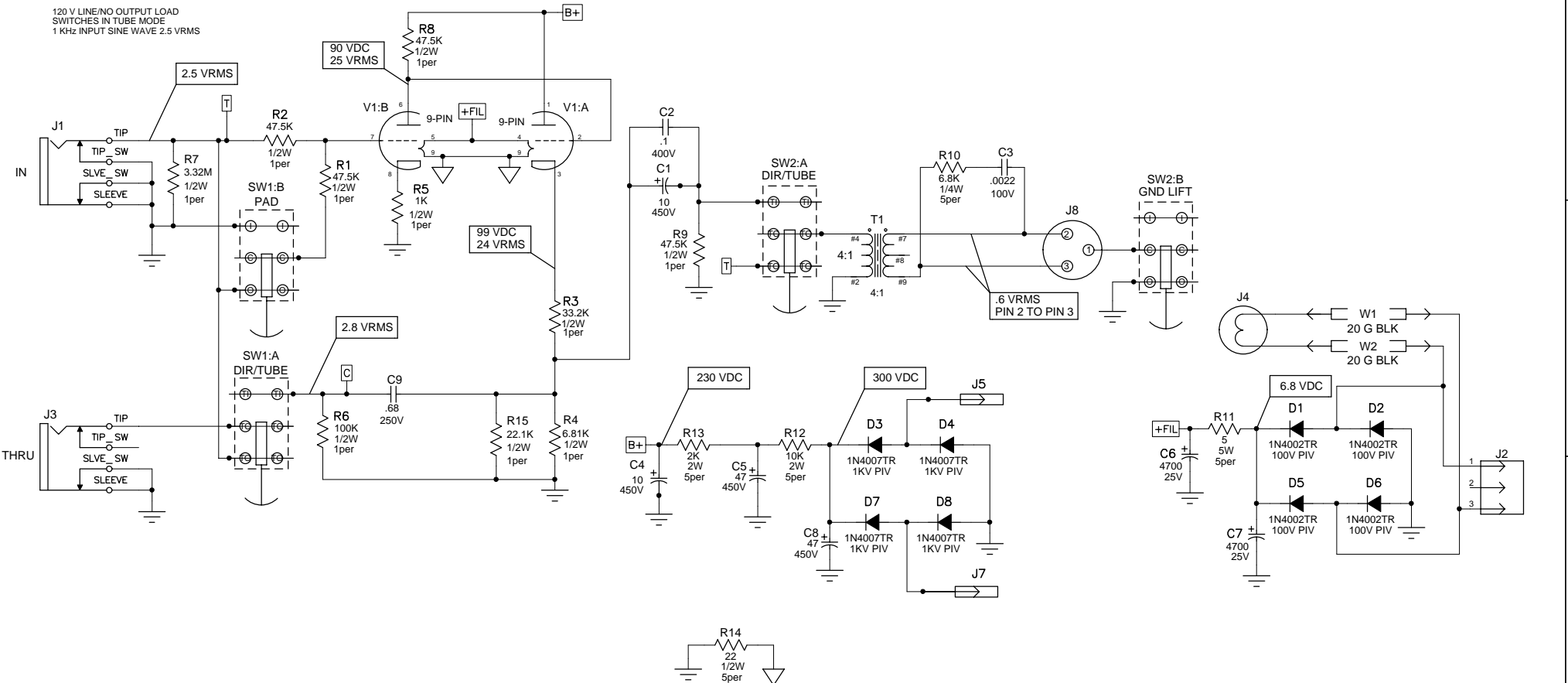
B

C

D

T.P. CONDITIONS

120 V LINE/NO OUTPUT LOAD
SWITCHES IN TUBE MODE
1 KHZ INPUT SINE WAVE 2.5 VRMS



CAUTION:

THIS SCHEMATIC IS PROVIDED FOR USE BY QUALIFIED PERSONNEL. TO AVOID RISK OF ELECTRIC SHOCK, REFER SERVICING TO QUALIFIED SERVICE PERSONNEL. DO NOT PERFORM ANY SERVICING BEYOND THAT EXPLAINED IN THE OPERATING INSTRUCTIONS.

NOTES:

- 1) CAUTION: SHOCK HAZARD!! THIS UNIT CONTAINS HAZARDOUS VOLTAGE. DISCONNECT POWER AND BE SURE POWER SUPPLY IS DISCHARGED BEFORE TOUCHING INTERNAL PARTS.
- 2) UNLESS NOTED, RESISTOR VALUES IN OHMS, 1/4W-5% TOL. CAPACITOR VALUES IN MICROFARADS, 50V-10% TOL.
- 3) VOLTAGES ARE MEASURED WITH 1 MEGOHM OSCILLOSCOPE AND 10 MEGOHM DIGITAL VOLTMETER.

0	1-13-04	CONTROL ISSUE				
REV	Date	DESCRIPTION	Ecr(s)/Ecr(s)	Chgd By	Appvd by	Date
THE INFORMATION CONTAINED ON THIS DRAWING IS PROPRIETARY TO ST. LOUIS MUSIC, INC						
Signatures:		Date:				
Drawn: RLB		8-14-03	11880 Borman Drive, St. Louis, MO 63146			
Checked:		First Used On:				
Released:						
Plot Date: Mon Dec 08, 2003		Drawing Size: B		Drawing Title: PWA - PREAMP		
Plot Time: 12:54:21		Drawing Type: Schematic		Drawing Number: 07S587		
Tolerance:		Class Code: NONE		Sheet 1 of 1		

A

B

C

D