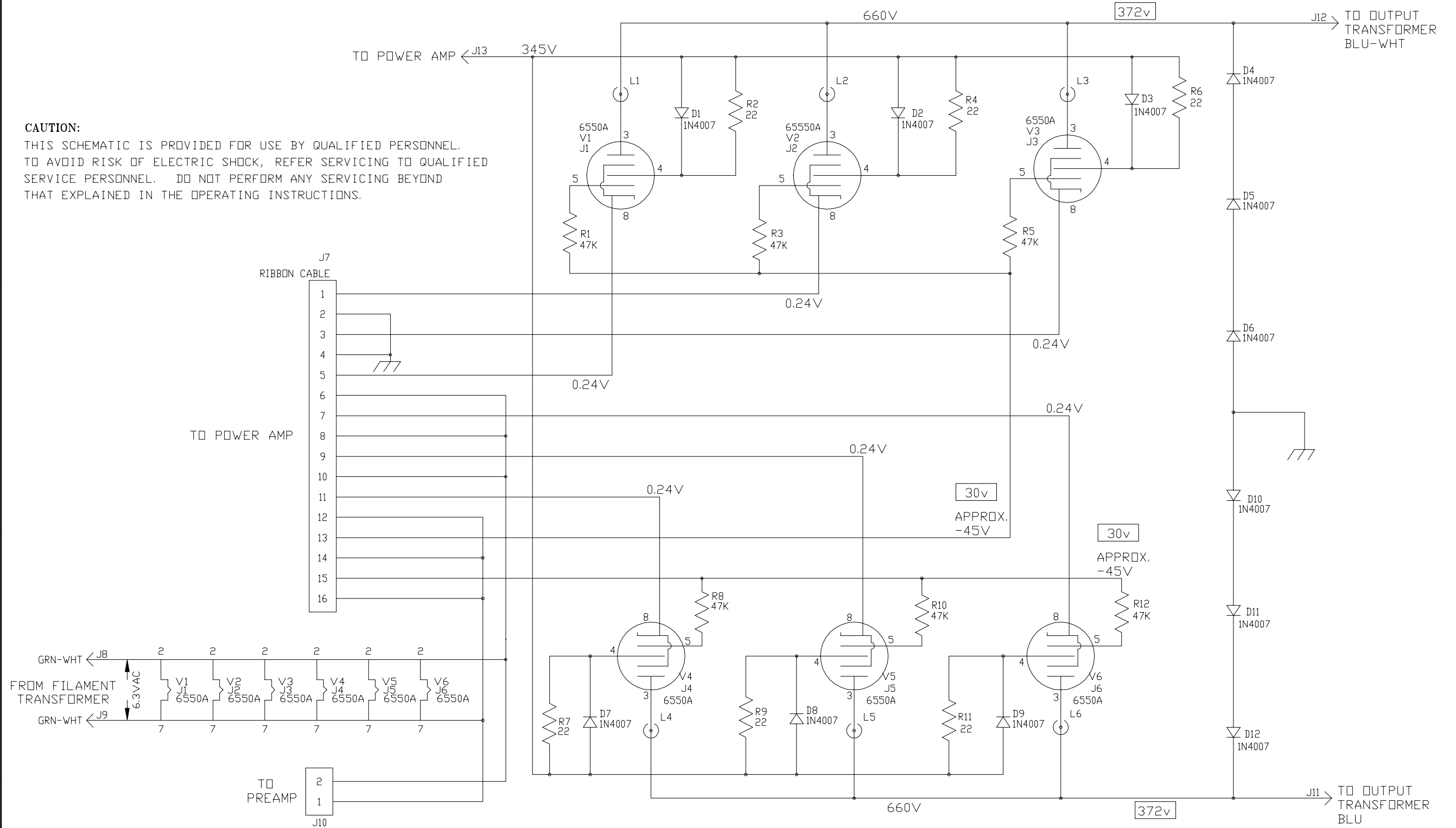


CAUTION:

THIS SCHEMATIC IS PROVIDED FOR USE BY QUALIFIED PERSONNEL. TO AVOID RISK OF ELECTRIC SHOCK, REFER SERVICING TO QUALIFIED SERVICE PERSONNEL. DO NOT PERFORM ANY SERVICING BEYOND THAT EXPLAINED IN THE OPERATING INSTRUCTIONS.



NOTES

- 1) CAUTION: SHOCK HAZARD!! THIS UNIT CONTAINS HAZARDOUS VOLTAGE. DISCONNECT POWER AND BE SURE POWER SUPPLY IS DISCHARGED BEFORE TOUCHING INTERNAL PARTS.
- 2) UNLESS NOTED, RESISTOR VALUES IN OHMS, 1/4W-5% TOL. CAPACITOR VALUES IN MICROFARADS, 50V-10% TOL.
- 3) VOLTAGES ARE MEASURED WITH 1 MEGOHM OSCILLOSCOPE AND 10 MEGOHM DIGITAL VOLTMETER. VOLTAGES IN RECTANGLES ARE RMS SIGNAL VOLTAGES WITH FULL POWER OUTPUT. OTHER VOLTAGES ARE DC WITH NO SIGNAL.

6				
5				
4	07/27/98	MAG		CHG'S TO PICTORIAL PER ECO 980466.

3	08/30/96	LMA		UPDATED REV TO REFLECT PIC CHANGE E960333
2	05/16/94	LMA		REV CHG TO REFLECT JUMPER CHG PER E150
1				
REV	DATE	BY	CHK'D	DESCRIPTION
SIGNATURES:		DATE:		11880 BORMAN DR. ST. LOUIS, MISSOURI 63146
DRAWN: SWR		03/02/93		
CHK'D:				PROJECT NAME:
APP'D:				SVT-2 PRO
ORIGINAL ISSUED:				DRAWING NAME:
PLOT DATE:		08/14/98		TUBE Bd. SCHEMATIC
PLOT TIME:		14:05:00		REV. 4
FILE NAME:		41941h4_		DRAWING NO. 07S419-41
		SCALE: 1:1		SHEET: 1 OF 1