

DESIGNATOR	DESCRIPTION	PART NO.
D1,2,4,7,10,13	1N754	21A754-01
D3,6,9,12,15,18,21,24	1N746	21A146-01
D5,7,26	1N914	21A914-01
D8,27,28	1N5353	21A5353-01
D28,30	GREEN LED	51-002-01
D29	YELLOW LED	51-003-01
IC1-7	4558	37-458-01
P1,9	100KRA	70-104-23
P2	250KL	70-306-01
P3,4,6	50KL	70-133-01
P5	10KL W/SV	70-109-27
P6	250KA	70-254-22
P7	10KA	70-103-22
P8	10KA W/SV	70-103-28
P11,12	10KL	70-132-01
Q1,2,12	J176	96-176-01
Q3-6,11	J112	96-112-01
Q7	MPS-A55	96-055-01
Q8	2N5639	96-539-01
Q9	TTP 32C	96-032-03
Q10	MPSA06	96-006-01
J1,2	1/4" CLIFF T/S	39-116-01
J3	1/4" CLIFF T/R/S	39-117-01
J5,11-13	4 PIN HEADER	17-310-04
J6-9	.187" FASTON TAB	187-894-01
J10	5 PIN HEADER	17-310-05

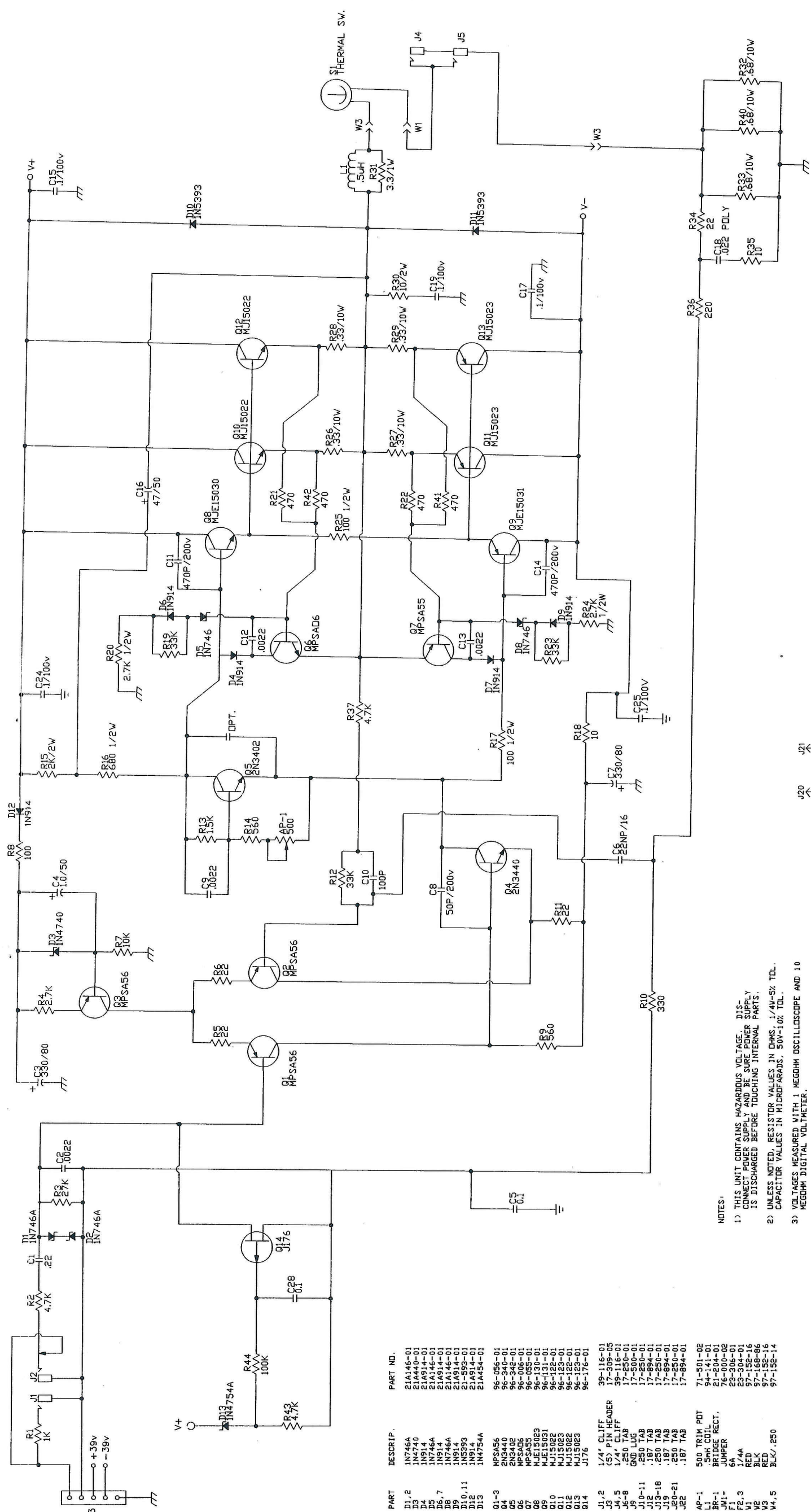
T.P.	WAVE	VOLTAGES	WAVE	VOLTAGES
1	~	125Vp-p	~	CHANNEL A GAIN & LEVEL
2	~	42Vp-p	~	CHANNEL B GAIN & LEVEL
3	~	.65Vdc	~	IC3B INPUT SIGNAL
4	~	1Vdc	~	IC3B INPUT SIGNAL
5	~	4.8Vp-p	~	4.8Vp-p
6	~	9.8Vp-p	~	9.8Vp-p
7	~	10Vp-p	~	10Vp-p
8	~	4.5Vp-p	~	4.5Vp-p
9	~	3Vp-p	~	3Vp-p
10	~	0Vdc	~	0Vdc
11	~	0Vdc	~	0Vdc
12	~	+14Vdc	~	+14Vdc
13	~	0Vdc	~	0Vdc
14	~	+15Vdc	~	+15Vdc
15	~	+15Vdc	~	+15Vdc
16	~	-15Vdc	~	-15Vdc
17	~	0Vdc	~	0Vdc
18	~	+10Vdc	~	+10Vdc

SIGNATURES:	DATE:	8/27/90
DRAWN: ML	PROJECT NAME:	VH-150H GUITAR AMP
CHK'D:	ISSUED:	
APP'D:	PLOT DATE:	02/13/91
	PLOT TIME:	11:35:48
	FILE NAME:	1603551
	SCALE:	1:1
	SHEET:	1 OF 1

CAUTION: THIS SCHEMATIC IS PROVIDED FOR USE BY QUALIFIED PERSONNEL. TO AVOID RISK OF ELECTRIC SHOCK, REFER SERVICING TO QUALIFIED SERVICE PERSONNEL. DO NOT PERFORM ANY SERVICING BEYOND THAT EXPLAINED IN THE OPERATING INSTRUCTIONS.

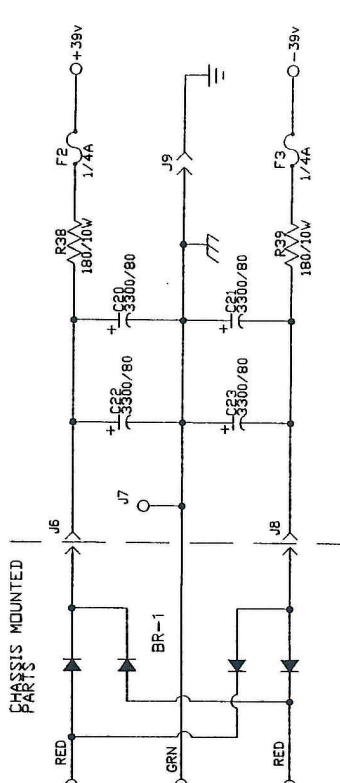
NOTES:  
 1) CAUTION: SHOCK HAZARD!! THIS UNIT CONTAINS HAZARDOUS VOLTAGE. DISCONNECT POWER AND BE SURE POWER SUPPLY IS DISCHARGED BEFORE TOUCHING INTERNAL PARTS.  
 2) UNLESS NOTED, RESISTOR VALUES IN OHMS, 1/4W-5% TOL. CAPACITOR VALUES IN MICROFARADS, 50V-10% TOL. AND 10 MEGOHM DIGITAL VOLTMETER.  
 3) VOLTAGES ARE MEASURED WITH 1 MEGOHM OSCILLOSCOPE AND 10 MEGOHM DIGITAL VOLTMETER.  
 4) CIRCUIT GROUND  $\nabla$  SWITCH GROUND  $\nabla$  CHASSIS GROUND  $\nabla$





PART	DESCRIP.	PART NO.
D1, 2	1N746A	21A145-01
D3	1N740	21A440-01
D4	1N914	21A914-01
D5	1N746A	21A145-01
D6	1N746A	21A145-01
D7	1N746A	21A145-01
D8	1N746A	21A145-01
D9	1N914	21A914-01
D10, 11	1N5393	21-593-01
D12	1N914	21A914-01
D13	1N4754A	21A454-01
Q1-3	MPSA56	96-056-01
Q4	2N3440	96-340-01
Q5	2N3402	96-340-01
Q6	MPSA56	96-056-01
Q7	MPSA55	96-055-01
Q8	MJE15023	96-130-01
Q9	MJE15031	96-130-01
Q10	MJE15023	96-130-01
Q11	MJE15023	96-123-01
Q12	MJE15023	96-123-01
Q13	MJE15023	96-123-01
Q14	J176	96-176-01
J1, 2	1/4" CLIFF	29-116-02
J3	50 PIN HEADER	17-309-02
J4, 5	1/4" CLIFF	39-116-01
J6-8	.250 TAB	17-250-01
J9	GND LUG	17-500-01
J10-11	.250 TAB	17-250-01
J12	.187 TAB	17-894-01
J13	.187 TAB	17-894-01
J14	.250 TAB	17-250-01
J15	.250 TAB	17-250-01
J16-17	.250 TAB	17-250-01
J18-21	.187 TAB	17-894-01
J22	.187 TAB	17-894-01
AP-1	500 TRIM PDT	71-501-02
L1	500 OHM CDIL	94-141-01
BR-1	BRIDGE RECT.	21-204-01
F1	500 MA	28-200-02
F2, 3	1/4A	28-200-01
V1	RED	97-152-16
V2	BLK	97-168-86
V3	RED	97-152-16
V4, 5	BLK/.250	97-152-14

NOTES:  
 1) THIS UNIT CONTAINS HAZARDOUS VOLTAGE. DISCONNECT POWER SUPPLY AND BE SURE POWER SUPPLY IS DISCHARGED BEFORE TOUCHING INTERNAL PARTS.  
 2) UNLESS NOTED, RESISTOR VALUES IN OHMS, 1/4W-5% TOL. CAPACITOR VALUES IN MICROFARADS, 50V-10% TOL.  
 3) VOLTAGES MEASURED WITH 1 MEGOHM OSCILLOSCOPE AND 10 MEGOHM DIGITAL VOLTMETER.



ORIG.	DAN-9/1/88	CHECKED BY	APPROVED BY
VERS.	DRAWN BY		
PAGE #	1 OF 1	DRAWING #	16-038-01
DESCRIPTION: SS-150 PWR AMP			
VH-158 PWR AMP			

SLM ELECTRONICS.  
 11880 BORMAN DR.  
 ST. LOUIS, MO 63146