
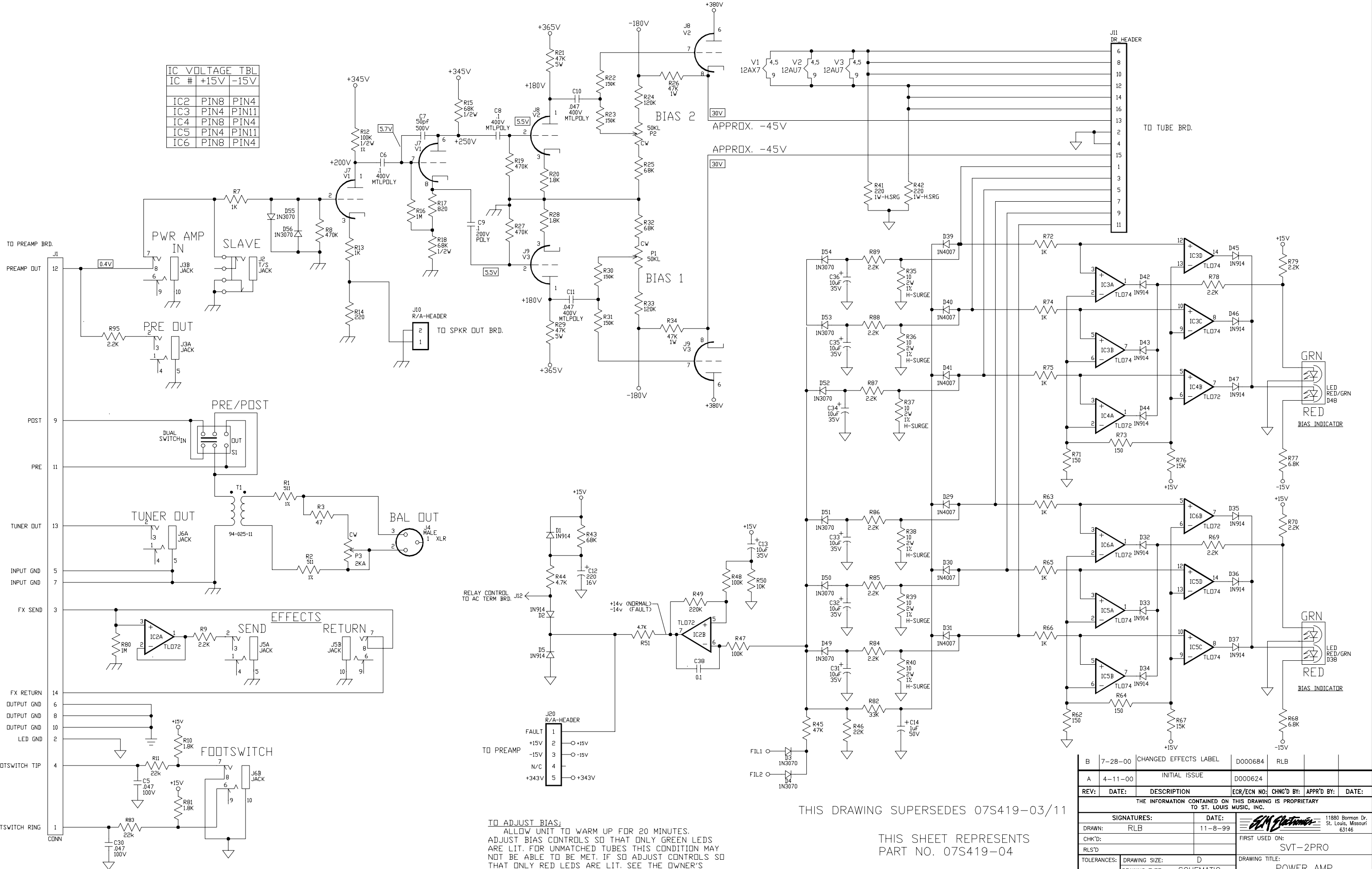


IC VOLTAGE TBL			
IC #	+15V	-15V	
IC1	PIN4	PIN11	
IC2	PIN4	PIN11	
IC3	PIN4	PIN11	
IC4	PIN8	PIN4	
IC5	PIN8	PIN4	

- NOTES**
- 1) CAUTION: SHOCK HAZARD!! THIS UNIT CONTAINS HAZARDOUS VOLTAGE. DISCONNECT POWER AND BE SURE POWER SUPPLY IS DISCHARGED BEFORE TOUCHING INTERNAL PARTS.
 - 2) UNLESS NOTED, RESISTOR VALUES IN OHMS, 1/4W-5% TOL. CAPACITOR VALUES IN MICROFARADS, 50V-10% TOL.
 - 3) VOLTAGES ARE MEASURED WITH 1 MEGOHM OSCILLOSCOPE AND 10 MEGOHM DIGITAL VOLTMETER. EQ. ON, SLIDERS ARE IN CENTER POSITION.
 - 4) VOLTAGES IN RECTANGLES ARE RMS SIGNAL VOLTAGES WITH 0.4v IN. OTHER VOLTAGES ARE D.C. IN CONDITIONS STATED.
 - 5) CIRCUIT GROUND ⏏ DIRTY GROUND ⏏ CHASSIS GROUND ⏏

3	2/12/98	WFB	12A > 12R CAPS PER E970840 ARTWORK TO REV 2	
2	05/25/94	LMA	REV CHG TO REFLECT JUMPER CHG PER E150	
1				
REV	DATE	BY	CHK'D	DESCRIPTION
SIGNATURES:		DATE:		 11860 BORMAN DR. ST. LOUIS, MISSOURI 63148
DRAWN: ERW		3/11/93		
CHK'D: GM		07/09/98		
APP'D: 07/09/98		GM		
ORIGINAL ISSUED:		GM		
PROJECT NAME: SVT-2 PRO				
DRAWING NAME: GRAPHIC EQ. SCHEMATIC				
PLOT DATE: 07/09/98		DRAWING NO. 07S728-02		
PLOT TIME: 10:01:48		REV. 3		
FILE NAME: 72802H3		SCALE: 1:1 SHEET: 1 OF 1		

IC VOLTAGE TBL			
IC #	+15V	-15V	
IC2	PIN8	PIN4	
IC3	PIN4	PIN11	
IC4	PIN8	PIN4	
IC5	PIN4	PIN11	
IC6	PIN8	PIN4	

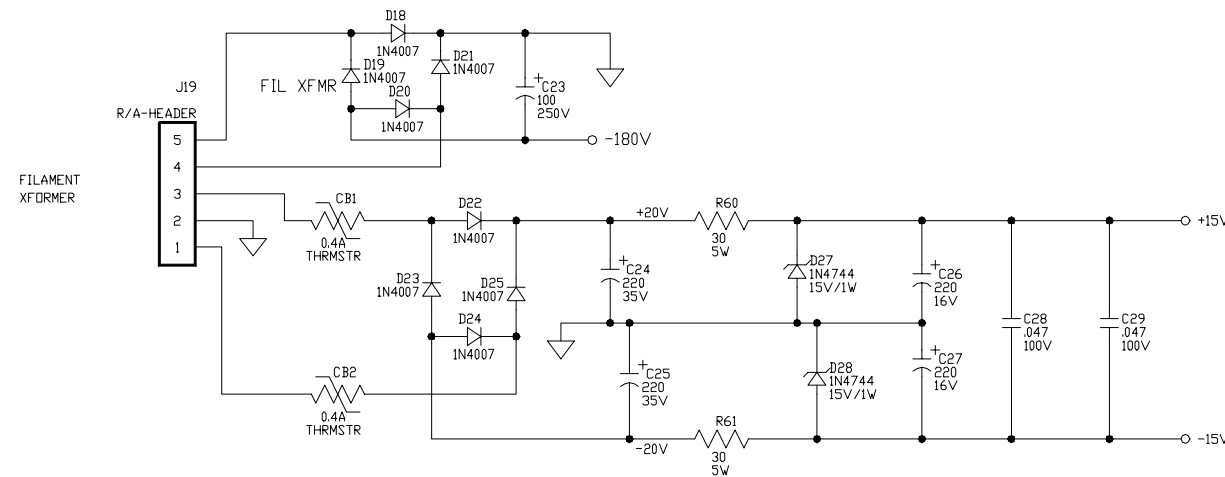
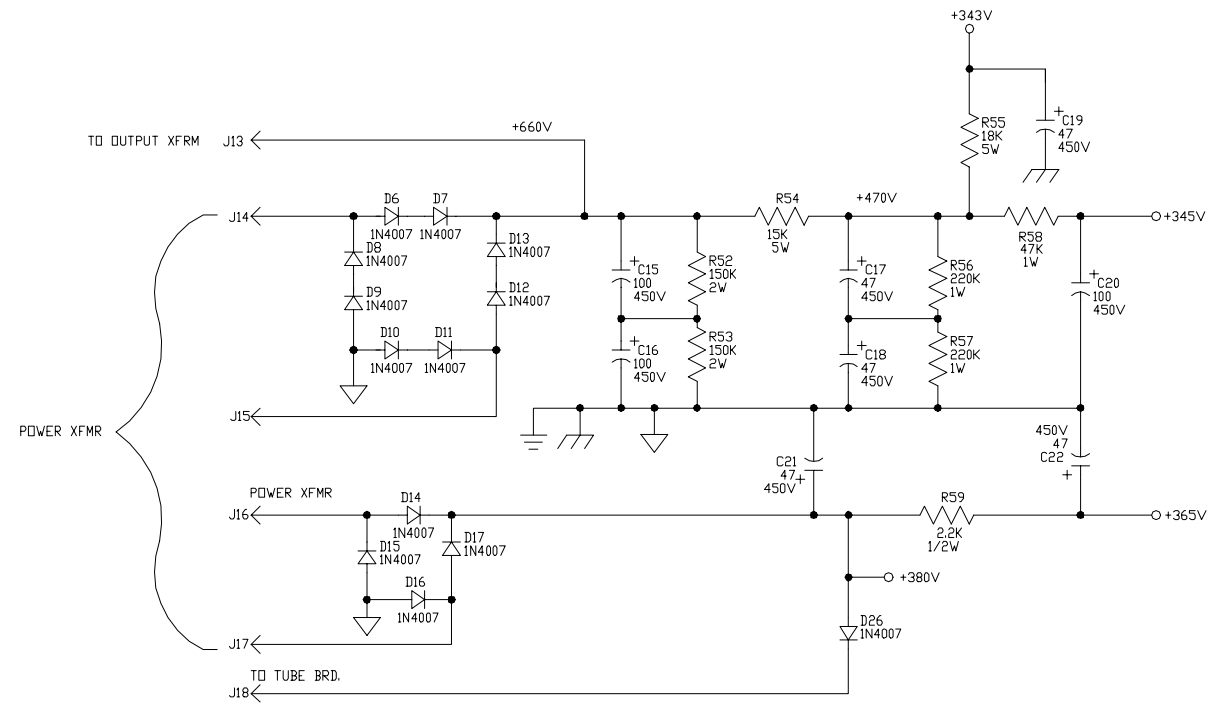


TO ADJUST BIAS:
 ALLOW UNIT TO WARM UP FOR 20 MINUTES.
 ADJUST BIAS CONTROLS SO THAT ONLY GREEN LEADS
 ARE LIT. FOR UNMATCHED TUBES THIS CONDITION MAY
 NOT BE ABLE TO BE MET. IF SO ADJUST CONTROLS SO
 THAT ONLY RED LEADS ARE LIT. SEE THE OWNER'S
 MANUAL FOR TROUBLESHOOTING TIPS USING THE BIAS
 CONTROLS AND LEADS.

THIS DRAWING SUPERSEDES 07S419-03/11

THIS SHEET REPRESENTS
 PART NO. 07S419-04

B	7-28-00	CHANGED EFFECTS LABEL	D000684	RLB		
A	4-11-00	INITIAL ISSUE	D000624			
REV:	DATE:	DESCRIPTION	ECR/ECN NO:	CHNG'D BY:	APPR'D BY:	DATE:
THE INFORMATION CONTAINED ON THIS DRAWING IS PROPRIETARY TO ST. LOUIS MUSIC, INC.						
SIGNATURES:		DATE:		11880 Borman Dr. St. Louis, Missouri 63146		
DRAWN: RLB		11-8-99		FIRST USED ON:		
CHK'D:				SVT-2PRO		
RLS'D:				DRAWING TITLE:		
TOLERANCES:		DRAWING SIZE: D		DRAWING NO:		
		DRAWING TYPE: SCHEMATIC		POWER AMP		
		CLASS CODE:		DRAWING NO:		
		SCALE: NONE		SHEET: 1 OF 4		
				07S419-XX		



NOTES

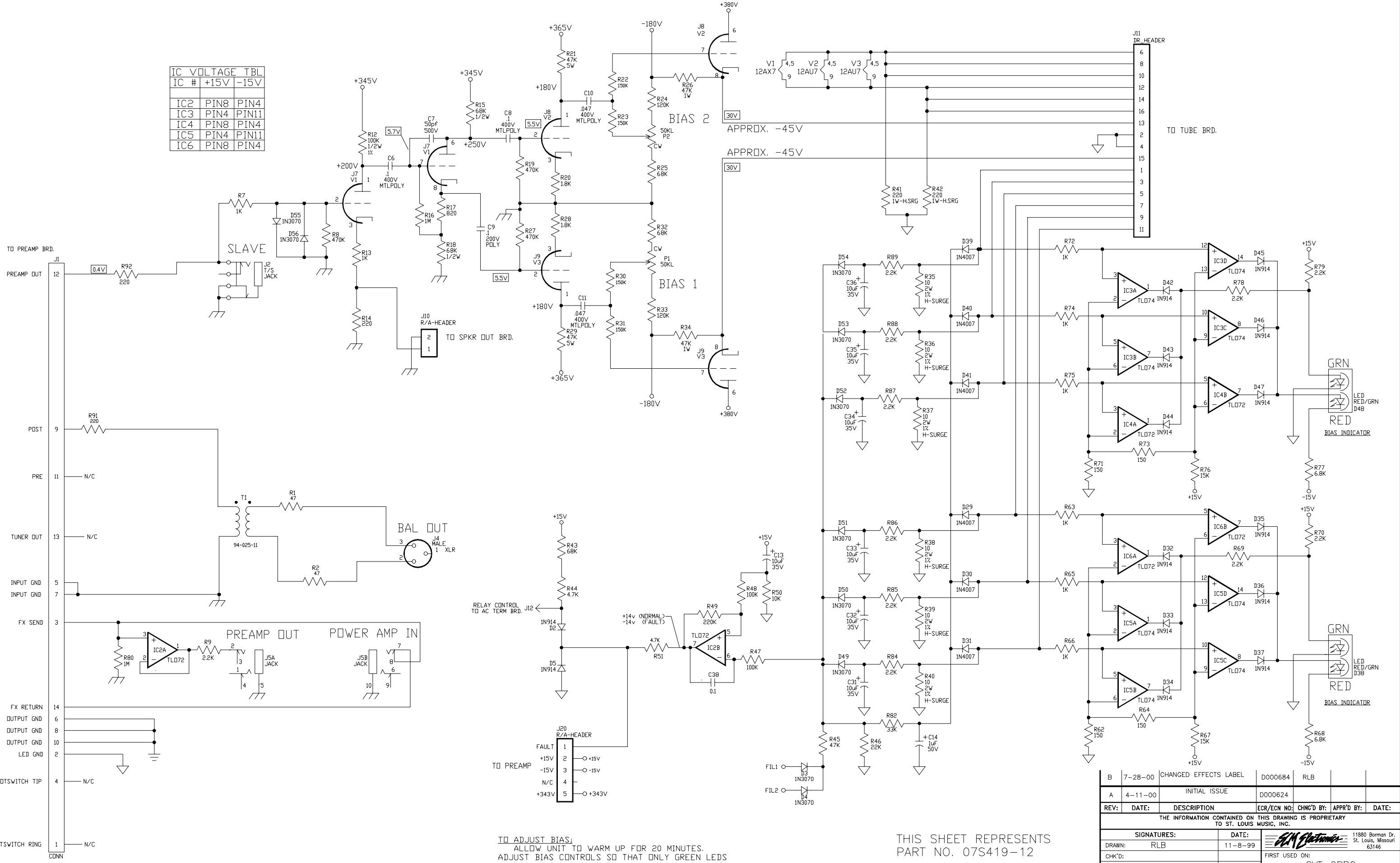
- 1) CAUTION: SHOCK HAZARD!!
THIS UNIT CONTAINS HAZARDOUS VOLTAGE. DISCONNECT POWER AND BE SURE POWER SUPPLY IS DISCHARGED BEFORE TOUCHING INTERNAL PARTS.
- 2) UNLESS NOTED, RESISTOR VALUES IN OHMS, 1/4W-5% TOL. CAPACITOR VALUES IN MICROFARADS, 50V-10% TOL.
- 3) VOLTAGES ARE MEASURED WITH 1 MEGOHM OSCILLOSCOPE AND 10 MEGOHM DIGITAL VOLTMETER.
- 4) VOLTAGES IN RECTANGLES ARE RMS SIGNAL VOLTAGES WITH 0.4v IN. OTHER VOLTAGES ARE D.C. IN CONDITIONS STATED.
- 5) CIRCUIT GROUND \uparrow DIRTY GROUND ∇ CHASSIS GROUND \oplus

THIS SHEET REPRESENTS
PART NO. 07-419-04

B	7-28-00	CHANGED EFFECTS LABEL	D000684	RLB		
A	4-11-00	INITIAL ISSUE	D000624			
REV:	DATE:	DESCRIPTION	ECR/ECN NO:	CHNG'D BY:	APPR'D BY:	DATE:
THE INFORMATION CONTAINED ON THIS DRAWING IS PROPRIETARY TO ST. LOUIS MUSIC, INC.						
SIGNATURES:		DATE:				
DRAWN:	RLB	11-8-99		FIRST USED ON:		
CHK'D:				SVT-2PRO		
RLS'D				DRAWING TITLE:		
TOLERANCES:		DRAWING SIZE: D		DRAWING NO:		
		DRAWING TYPE: SCHEMATIC		POWER AMP		
		CLASS CODE:		DRAWING NO:		
		SCALE: NONE		07S419-XX		
		SHEET: 2 OF 4				

11880 Borman Dr.
St. Louis, Missouri
63146

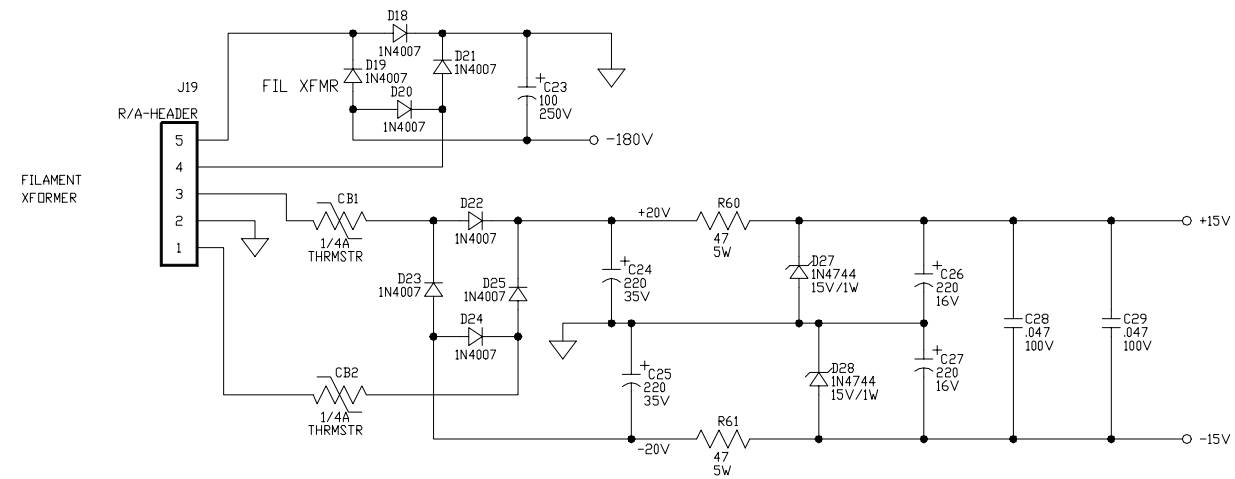
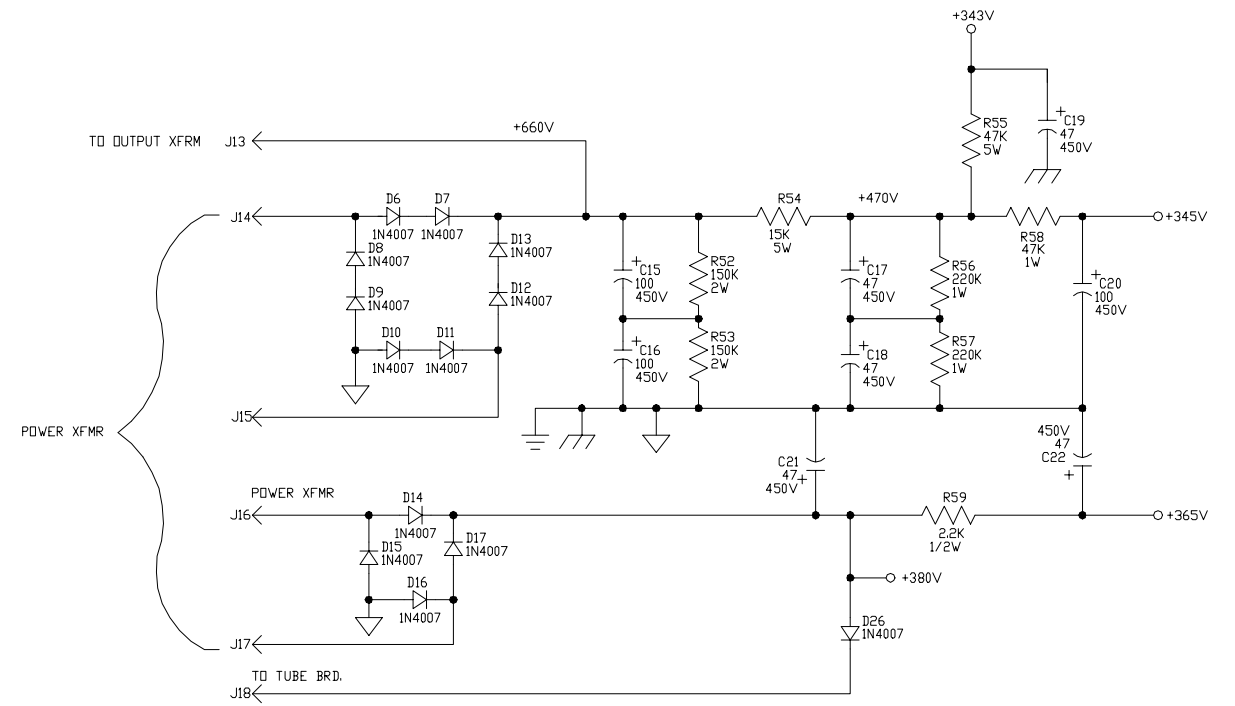
IC VOLTAGE TBL			
IC #	+15V	-15V	
IC2	PIN8	PIN4	
IC3	PIN4	PIN11	
IC4	PIN8	PIN4	
IC5	PIN4	PIN11	
IC6	PIN8	PIN4	



TO ADJUST BIAS:
 ALLOW UNIT TO WARM UP FOR 20 MINUTES.
 ADJUST BIAS CONTROLS SO THAT ONLY GREEN TUBES
 ARE LIT. FOR UNMATCHED TUBES THIS CONDITION MAY
 NOT BE ABLE TO BE MET. IF SO ADJUST CONTROLS SO
 THAT ONLY RED LEDES ARE LIT. SEE THE OWNER'S
 MANUAL FOR TROUBLESHOOTING TIPS USING THE BIAS
 CONTROLS AND LEDES.

THIS SHEET REPRESENTS
 PART NO. 07S419-12

B	7-28-00	CHANGED EFFECTS LABEL	D000684	RLB		
A	4-11-00	INITIAL ISSUE	D000624			
REV:	DATE:	DESCRIPTION	ECR/ECN NO:	CHNG'D BY:	APPR'D BY:	DATE:
THE INFORMATION CONTAINED ON THIS DRAWING IS PROPRIETARY TO ST. LOUIS MUSIC, INC.						
SIGNATURES:		DATE:		11880 Borman Dr. St. Louis, Missouri 63146		
DRAWN: RLB		11-8-99		FIRST USED ON: SVT-2PRO		
CHK'D:				DRAWING TITLE: POWER AMP		
RLS'D:				DRAWING NO: 07S419-XX		
TOLERANCES:		DRAWING SIZE: D		DRAWING TITLE: POWER AMP		
		DRAWING TYPE: SCHEMATIC		DRAWING NO: 07S419-XX		
		CLASS CODE:		DRAWING NO: 07S419-XX		
		SCALE: NONE		SHEET: 3 OF 4		



NOTES

- 1) CAUTION: SHOCK HAZARD!!
THIS UNIT CONTAINS HAZARDOUS VOLTAGE. DISCONNECT POWER AND BE SURE POWER SUPPLY IS DISCHARGED BEFORE TOUCHING INTERNAL PARTS.
- 2) UNLESS NOTED, RESISTOR VALUES IN OHMS, 1/4W-5% TOL. CAPACITOR VALUES IN MICROFARADS, 50V-10% TOL.
- 3) VOLTAGES ARE MEASURED WITH 1 MEGOHM OSCILLOSCOPE AND 10 MEGOHM DIGITAL VOLTMETER.
- 4) VOLTAGES IN RECTANGLES ARE RMS SIGNAL VOLTAGES WITH 0.4v IN. OTHER VOLTAGES ARE D.C. IN CONDITIONS STATED.
- 5) CIRCUIT GROUND ⏏ DIRTY GROUND ⏏ CHASSIS GROUND ⏏

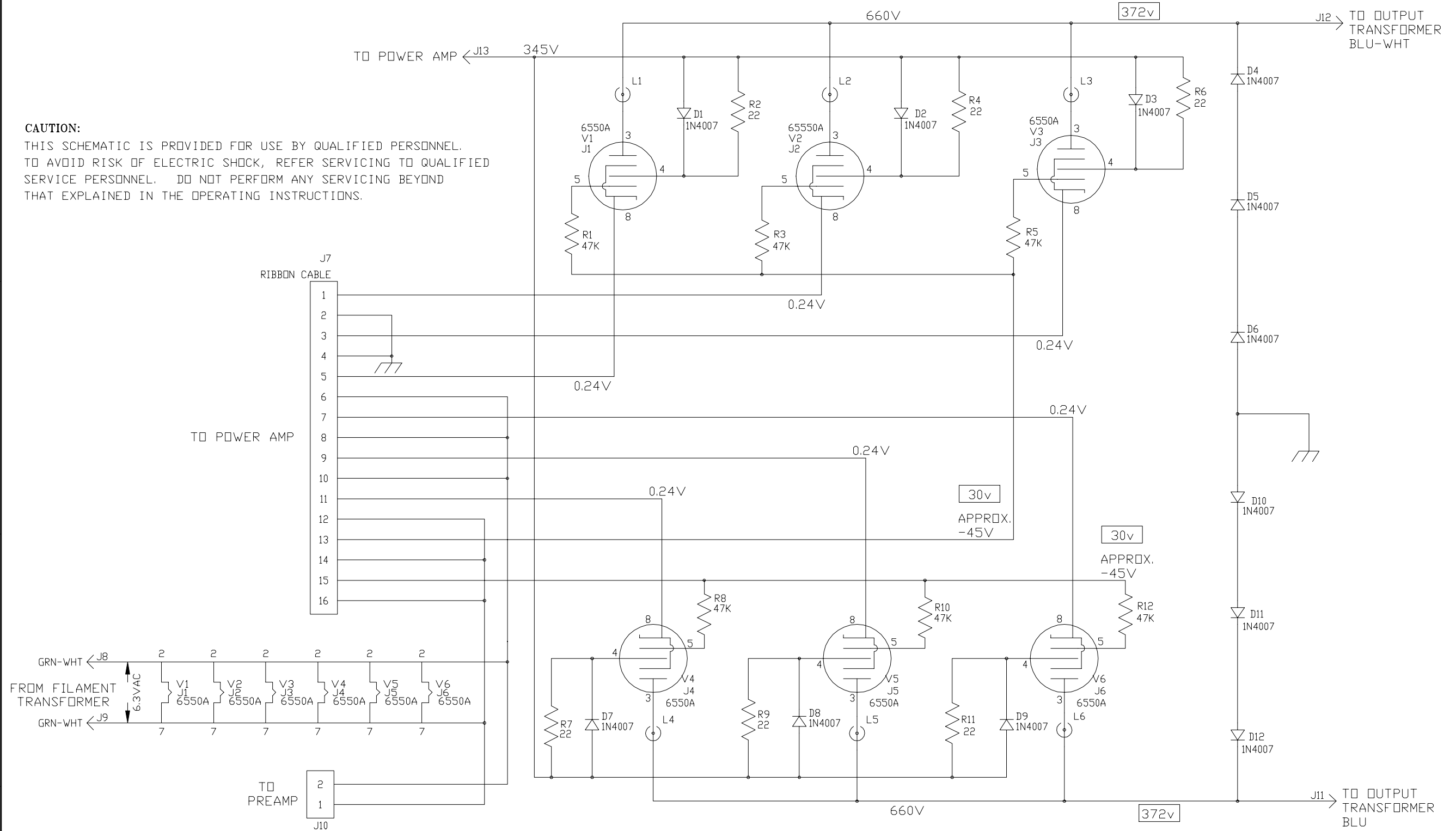
THIS SHEET REPRESENTS
PART NO. 07S419-12

B	7-28-00	CHANGED EFFECTS LABEL	D000684	RLB		
A	4-11-00	INITIAL ISSUE	D000624			
REV:	DATE:	DESCRIPTION	ECR/ECN NO:	CHNG'D BY:	APPR'D BY:	DATE:
THE INFORMATION CONTAINED ON THIS DRAWING IS PROPRIETARY TO ST. LOUIS MUSIC, INC.						
SIGNATURES:		DATE:				
DRAWN:	RLB	11-8-99		FIRST USED ON:		
CHK'D:				SVT-2PRO		
RLS'D:				DRAWING TITLE:		
TOLERANCES:		DRAWING SIZE: D		DRAWING NO:		
		DRAWING TYPE: SCHEMATIC		POWER AMP		
		CLASS CODE:		DRAWING NO:		
		SCALE: NONE		07S419-XX		
		SHEET: 4 OF 4				

11880 Borman Dr.
St. Louis, Missouri
63146

CAUTION:

THIS SCHEMATIC IS PROVIDED FOR USE BY QUALIFIED PERSONNEL. TO AVOID RISK OF ELECTRIC SHOCK, REFER SERVICING TO QUALIFIED SERVICE PERSONNEL. DO NOT PERFORM ANY SERVICING BEYOND THAT EXPLAINED IN THE OPERATING INSTRUCTIONS.



NOTES

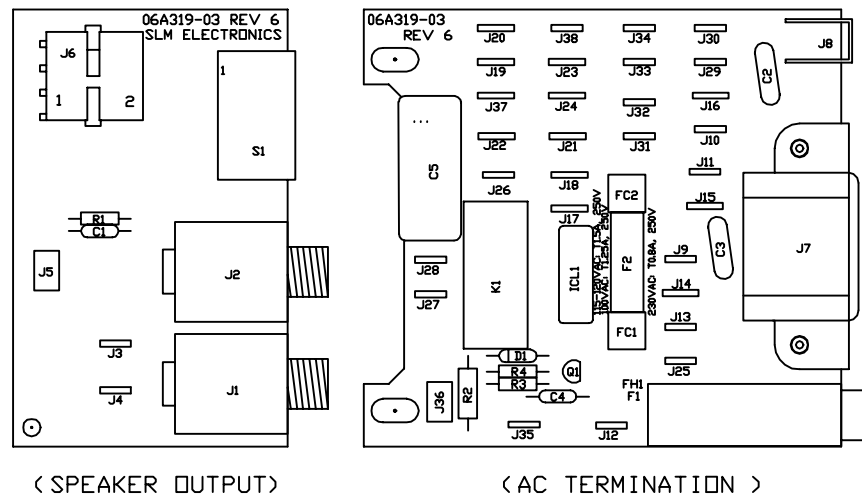
- 1) CAUTION: SHOCK HAZARD!! THIS UNIT CONTAINS HAZARDOUS VOLTAGE. DISCONNECT POWER AND BE SURE POWER SUPPLY IS DISCHARGED BEFORE TOUCHING INTERNAL PARTS.
- 2) UNLESS NOTED, RESISTOR VALUES IN OHMS, 1/4W-5% TOL. CAPACITOR VALUES IN MICROFARADS, 50V-10% TOL.
- 3) VOLTAGES ARE MEASURED WITH 1 MEGOHM OSCILLOSCOPE AND 10 MEGOHM DIGITAL VOLTMETER. VOLTAGES IN RECTANGLES ARE RMS SIGNAL VOLTAGES WITH FULL POWER OUTPUT. OTHER VOLTAGES ARE DC WITH NO SIGNAL.

6				
5				
4	07/27/98	MAG		CHG'S TO PICTORIAL PER ECO 980466.

3	08/30/96	LMA		UPDATED REV TO REFLECT PIC CHANGE E960333
2	05/16/94	LMA		REV CHG TO REFLECT JUMPER CHG PER E150
1				
REV	DATE	BY	CHK'D	DESCRIPTION
SIGNATURES:		DATE:		11880 BORMAN DR. ST. LOUIS, MISSOURI 63146
DRAWN: SWR		03/02/93		
CHK'D:				PROJECT NAME:
APP'D:				SVT-2 PRO
ORIGINAL ISSUED:				DRAWING NAME:
PLOT DATE:		08/14/98		TUBE Bd. SCHEMATIC
PLOT TIME:		14:05:00		REV. 4
FILE NAME:		41941h4_		DRAWING NO. 07S419-41
SCALE: 1:1		SHEET: 1 OF 1		4_

NOTES

- 1) CAUTION: SHOCK HAZARD!!
THIS UNIT CONTAINS HAZARDOUS VOLTAGE. DISCONNECT POWER AND BE SURE POWER SUPPLY IS DISCHARGED BEFORE TOUCHING INTERNAL PARTS.
- 2) UNLESS NOTED, RESISTOR VALUES IN OHMS, 1/4W-5% TOL. CAPACITOR VALUES IN MICROFARADS, 50V-10% TOL.
- 3) VOLTAGES ARE MEASURED WITH 1 MEGOHM OSCILLOSCOPE AND 10 MEGOHM DIGITAL VOLTMETER.
- 4) CIRCUIT GROUND \perp DIRTY GROUND ∇ CHASSIS GROUND ∇
- 5) GOOD PRACTICE PER USUAL PRACTICE.

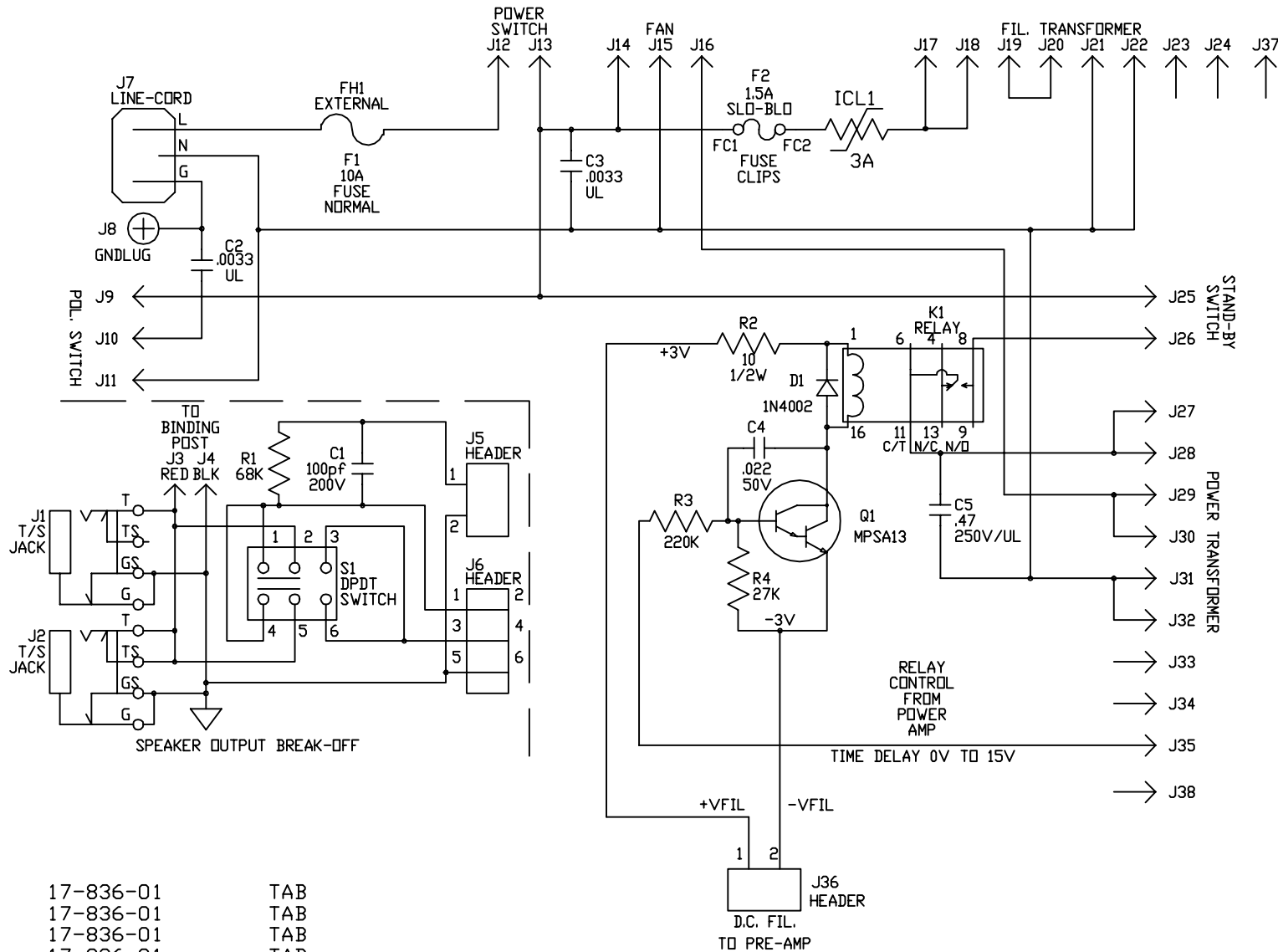


ARTWORK REV. 6

DESIGNATOR PART# DESCRIPTION

C1	10A101-21	100pf	200V
C2	10-332-01	0.0033	UL
C3	10-332-01	0.0033	UL
C4	10A223-01	0.022	50V
C5	10-474-25	0.47	250V/UL
D1	21A402-01	1N4002	
FC1	23-926-02	FUSE	CLIP
FC2	23-926-02	FUSE	CLIP
FH1	23-346-01	FUSE	HOLDER
ICL1	73-501-03	3A INRUSH LIMITER	
J1	39-116-01	T/S	JACK
J2	39-116-01	T/S	JACK
J3	17-836-01	TAB	
J4	17-836-01	TAB	
J5	17-310-02	2PIN	HEADER
J6	17-195-06	6PIN	HEADER
J7	17-604-01	LINE-CORD	CONNECTOR
J8	51-149-01	GNDLUG	
J9	17-894-01	TAB	
J10	17-894-01	TAB	
J11	17-894-01	TAB	
J12	17-836-01	TAB	
J13	17-836-01	TAB	
J14	17-894-01	TAB	
J15	17-894-01	TAB	
J16	17-894-01	TAB	
J17	17-894-01	TAB	
J18	17-894-01	TAB	
J19	17-894-01	TAB	
J20	17-894-01	TAB	
J21	17-894-01	TAB	
J22	17-894-01	TAB	
J23	17-894-01	TAB	
J24	17-894-01	TAB	

J25	17-836-01	TAB
J26	17-836-01	TAB
J27	17-836-01	TAB
J28	17-836-01	TAB
J29	17-836-01	TAB
J30	17-836-01	TAB
J31	17-836-01	TAB
J32	17-836-01	TAB
J33	17-836-01	TAB
J34	17-836-01	TAB
J35	17-836-01	TAB
J36	17-310-02	2PIN
J37	17-894-01	TAB
J38	17-836-01	TAB
K1	82-505-01	RELAY
Q1	96-013-01	MPSA13
R1	76-683-01	68K
R2	77-100-01	10
R3	76-224-01	220K
R4	76-273-01	27K
S1	88-214-02	SWITCH
F1	23-310-01	10A FUSE NORMAL
F2	23-308-05	1.5A FUSE SLO-BLO
PCB1	06A319-03	PC BRD.
MISC. HARDWARE		
(2)	30-638-53	SCREW
(2)	30-700-01	NUT
(1)	23-346-11	FUSE HOLDER CAP



9				
8	11/13/97	SWR		ADDED ICL1, J37, & J38. PER ECO #970682.
7	11/04/96	SWR		CHANGED P/N FOR FC1 & FC2 & LABEL FOR F2. PER ECO #960445.
6	05/07/96	LMA	G. M.	ADDED C5 PER E960093
5	11/08/95	DMM		CHANGED 39-116-51 TO 39-116-01 PER E950348
4	03/22/95	REM		R1 FROM 33K TO 68K RESISTOR.
3	04/11/94	BC		CHANGED F1 FROM 15A TO 10A FUSE (23-315-01 TO 23-310-01) PER ECO E101
2	04/07/94	SWR		CHANGED C2 TO 10-332-01 .0033 UL. PER ECO #E126.
1	08/09/93	SWR		CHANGED P/N FOR PARTS J1 & J2.
REV	DATE	BY	CHK'D	DESCRIPTION
SIGNATURES:		DATE:		11880 BORMAN DR. ST. LOUIS, MISSOURI 63146
DRAWN:	ERW	03/11/93		
CHK'D:	GM	8/9/93		PROJECT NAME:
APP'D:	GM	8/9/93		SVT-2 PRO
ORIGINAL ISSUED:	8/9/93			DRAWING NAME:
PLOT DATE:	11/13/97			AC-TERM BRD.
PLOT TIME:	08:19:22			DRAWING NO. 07P319-03
FILE NAME:	31903p8_			REV. 8
		SCALE: 1:1	SHEET: 1 OF 1	