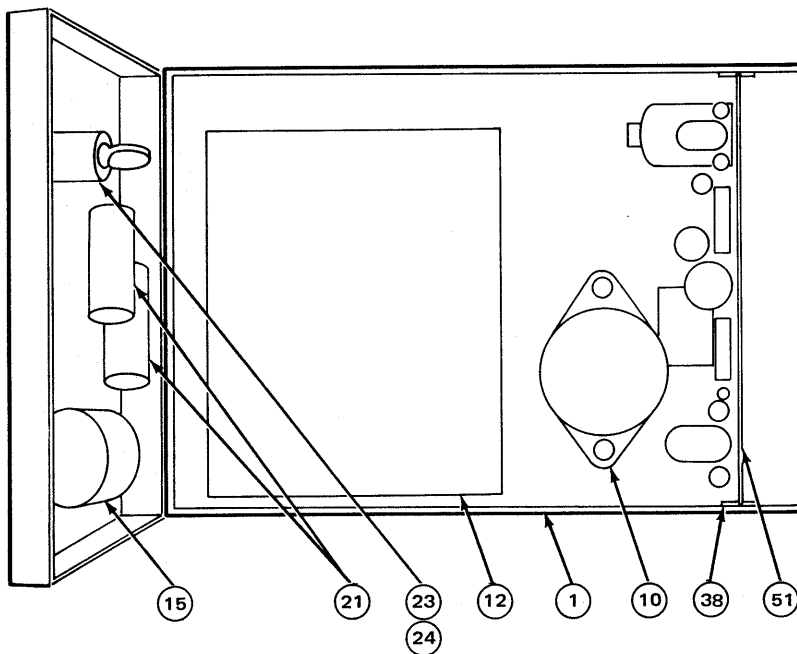
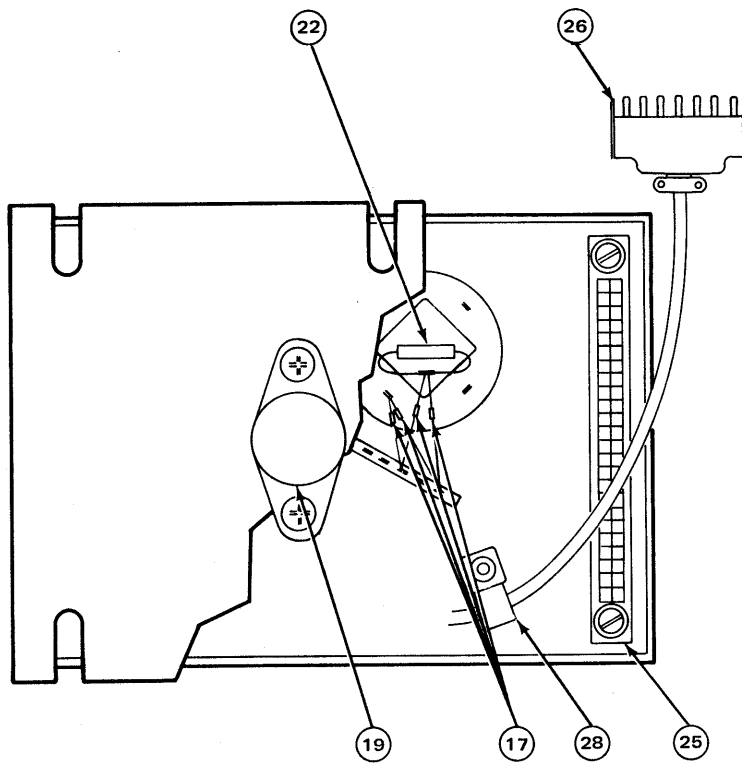


NEXT HIGHER ASSEMBLY NO. 4010202, 4010203, 4010204

ITEM NO.	AMPEX PART NO.	REFERENCE NUMBER	DESCRIPTION	JEDEC NO. OR MFR. PART NO.
1	4040967-01		CHASSIS, POWER SUPPLY ASSY	
2	4040968-03		PANEL, CONNECTOR, POWER SUPPLY	
5	4050443-01		HARNESS ASSY, POWER SUPPLY	
6	4290639-01		END COVER, POWER SUPPLY	
7	4290640-01		ENCLOSURE, POWER SUPPLY	
8	4330264-01		HEATSINK, POWER SUPPLY	
9	4400310-10		SCREW, SHOULDER	
10	4550147-03	C707	CAPACITOR, ELECT, 200 UF, 80V	
12	4580156-01	T702	TRANSFORMER, POWER	
15	001-945	C706	CAPACITOR, 500 MFD, 50V	
17	013-678	CR701-CR704	DIODE	1N4385
19	014-796	Q705	TRANSISTOR	2N4348
21	031-205	C709, 710	CAPACITOR, 5 UF, 50V	
22	041-158	R706	RESISTOR, 10K, 1W, 10T	
23	070-075	F701	FUSE, 1.5 AMP, 125V, SLO-BLO	
24	085-001		FUSEHOLDER, SHORT BODY	
25	143-307		CONNECTOR, PWB, 18 CONTACTS	
26	145-013	P706	CONNECTOR, MALE, 8 PINS	
27	260-052		GROMMET, NYLON	
28	302-007		CLAMP, CABLE, 1/4 ID	
29	471-064		SCREW, PAN HD, XREC, NO. 4-40 X 1/2 LG	
30	471-069		SCREW, PAN HD, XREC, NO. 6-32 X 3/8 LG	
31	476-998		SCREW, SELF-TAP, HEX HD, NO. 6 X 1/4 LG	
32	476-999		SCREW, SELF-TAP, HEX HD, NO. 6 X 3/8 LG	
33	496-004		NUT, KEP, NO. 4-40	
34	496-005		NUT, KEP, NO. 6-32	
35	496-006		NUT, KEP, NO. 8-32	
36	501-008		WASHER, FLAT, NO. 4	
37	506-013		WASHER, FLAT, D	
38	4230133-02		GUIDE, PWB	
42	014-703		WASHER, MICA	
43	172-003		LUG, TERMINAL, NO. 6	
44	471-071		SCREW, PAN HD, XREC, NO. 6-32 X 1/2	
45	496-005		NUT, KEP, NO. 6-32	
46	501-009		WASHER, FLAT, NO. 6	
47	503-089		WASHER, SHOULDER, NYLON	
48	302-030		CLAMP, CABLE, 3/8 ID	
50	498-445		NUT, SHEET SPRING, 0.125 DIA	
51	4050432-07		REGULATOR AND OSCILLATOR, PWA	
80	4840168		SCHEMATIC	

VERSION: 4020274-05

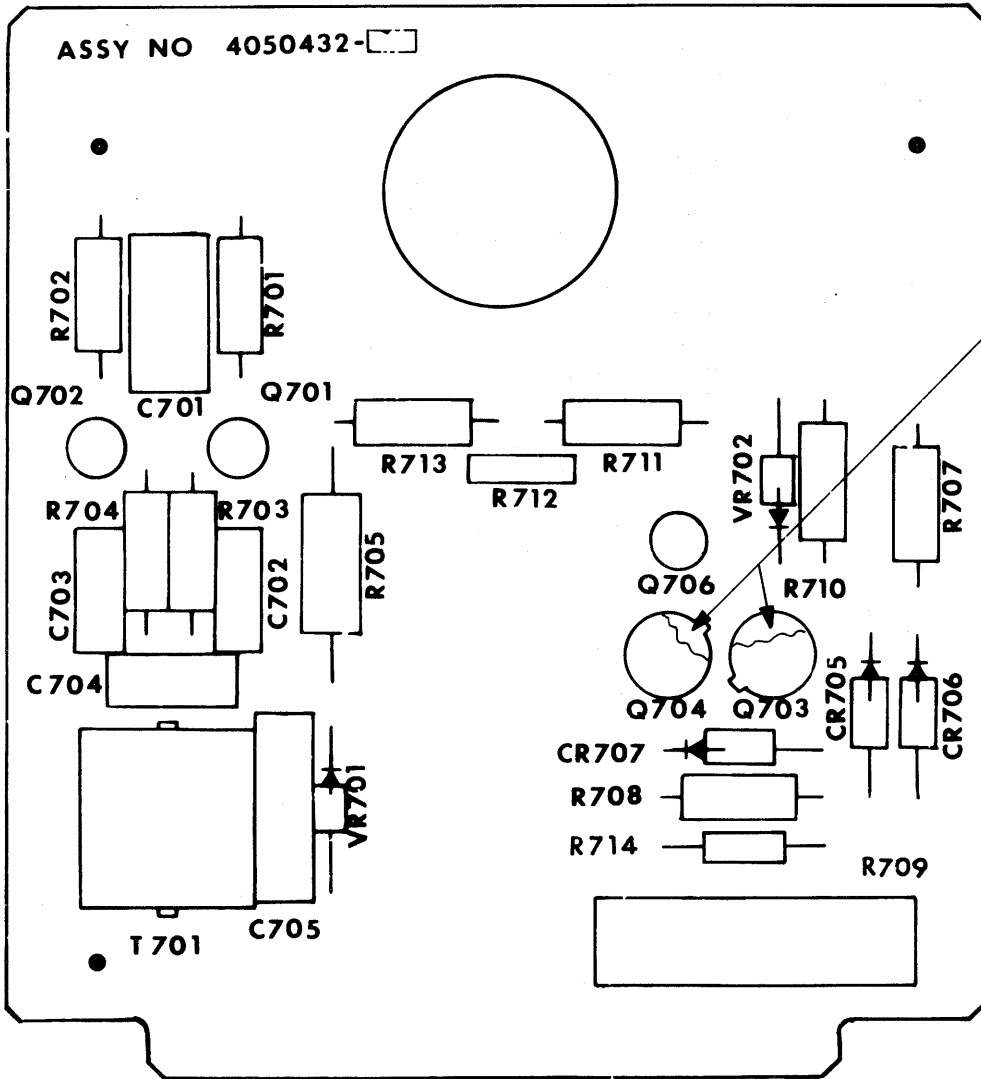


Assembly No. 4020274, Power Supply Assembly

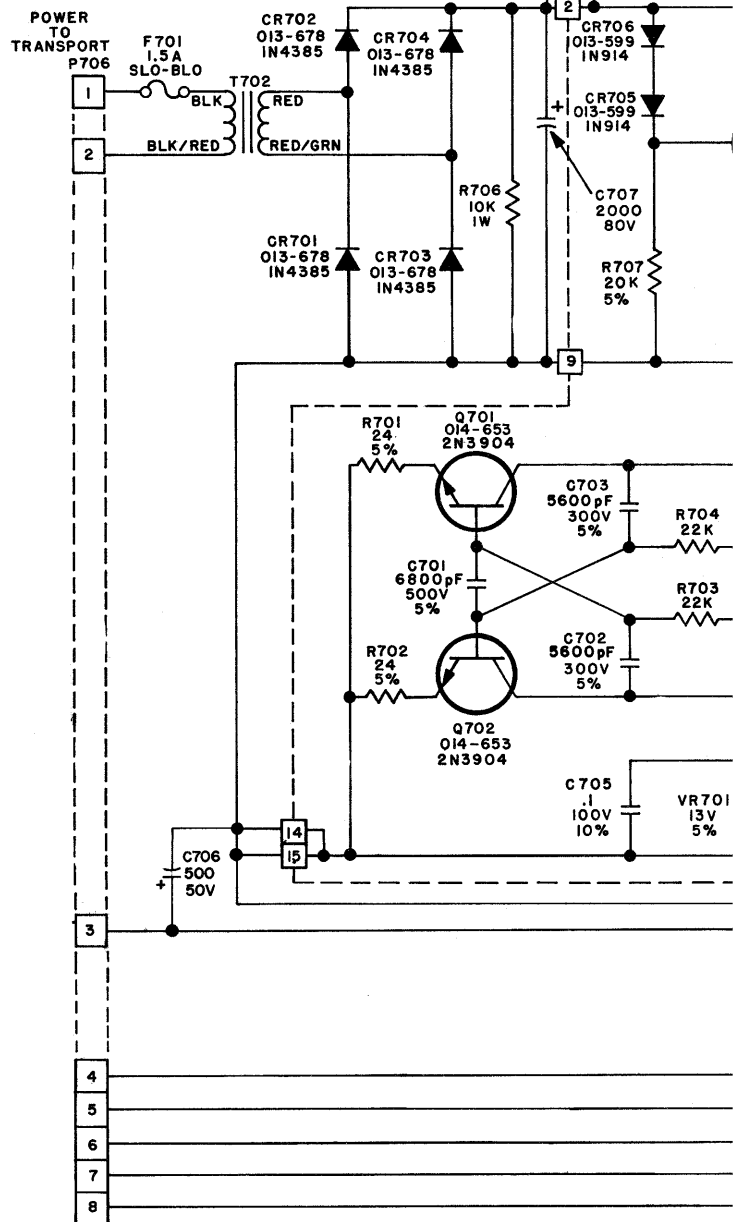
NEXT HIGHER ASSEMBLY NO. 4020274

ITEM NO.	AMPEX PART NO.	REFERENCE NUMBER	DESCRIPTION	JEDEC NO. OR MFR. PART NO.
2	4580123-01	T701	COIL, BIAS OSCILLATOR	
3	013-599	CR705, 706,707	DIODE	1N914
4	013-712	VR702	DIODE	LMAZ-24-OA
5	013-747	VR701	DIODE	2EZ13,OD5
6	014-590	Q704	TRANSISTOR	2N3053
7	014-653	Q701,702,706	TRANSISTOR	2N3904
9	014-704	Q703	TRANSISTOR	2N398A
11	034-994	C704	CAPACITOR, MICA, 2500 PF, 500V, 5%	
12	034-507	C702,703	CAPACITOR, MICA, 5600 PF, 300V, 5%	
15	041-055	R711	RESISTOR, FIXED, 3.9K, 1/2W, 10%	
16	041-064	R703, 704	RESISTOR, FIXED, 22K, 1/2W, 10%	
18	041-147	R705	RESISTOR, FIXED, 1.2K, 1W, 10%	
19	041-533	R701, 702	RESISTOR, FIXED, 24 OHM, 1/2W, 5%	
20	044-370	R712	RESISTOR, VAR, 1K, 1/10W	
21	055-106	C705	CAPACITOR, MYLAR, 0.1 UF, 100V, 10%	
22	056-108	C701	CAPACITOR, MICA, 6800 PF, 500V, 5%	
23	059-016	R709	RESISTOR, 1 OHM, 5W, 5%	
24	041-529	R707	RESISTOR, 20K, 1/2W, 5%	
26	280-131		PAD, TRANSISTOR	
27	041-038	R714	RESISTOR, FIXED, 100 OHM, 1/2W, 10%	
28	041-048	R708,710	RESISTOR, FIXED, 1K, 1/2W, 10%	
29	041-052	R713	RESISTOR, FIXED, 2.2K, 1/2W, 10%	
30	103307-01		STANDOFF	
37	4840168		SCHEMATIC	

VERSION: 4050432-07



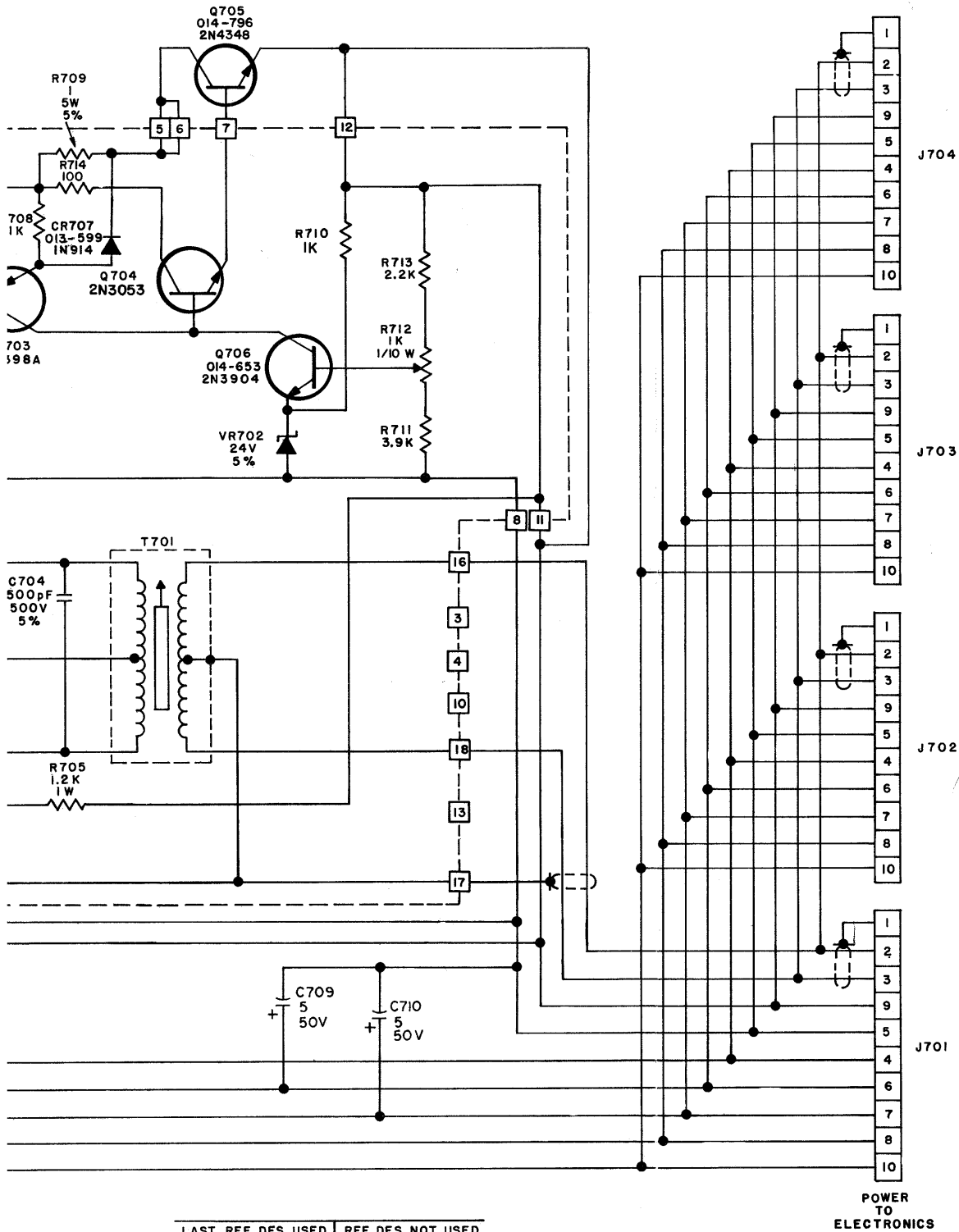
Assembly No. 4050432, Regulator and Oscillator PWA



NOTES:

UNLESS OTHERWISE SPECIFIED

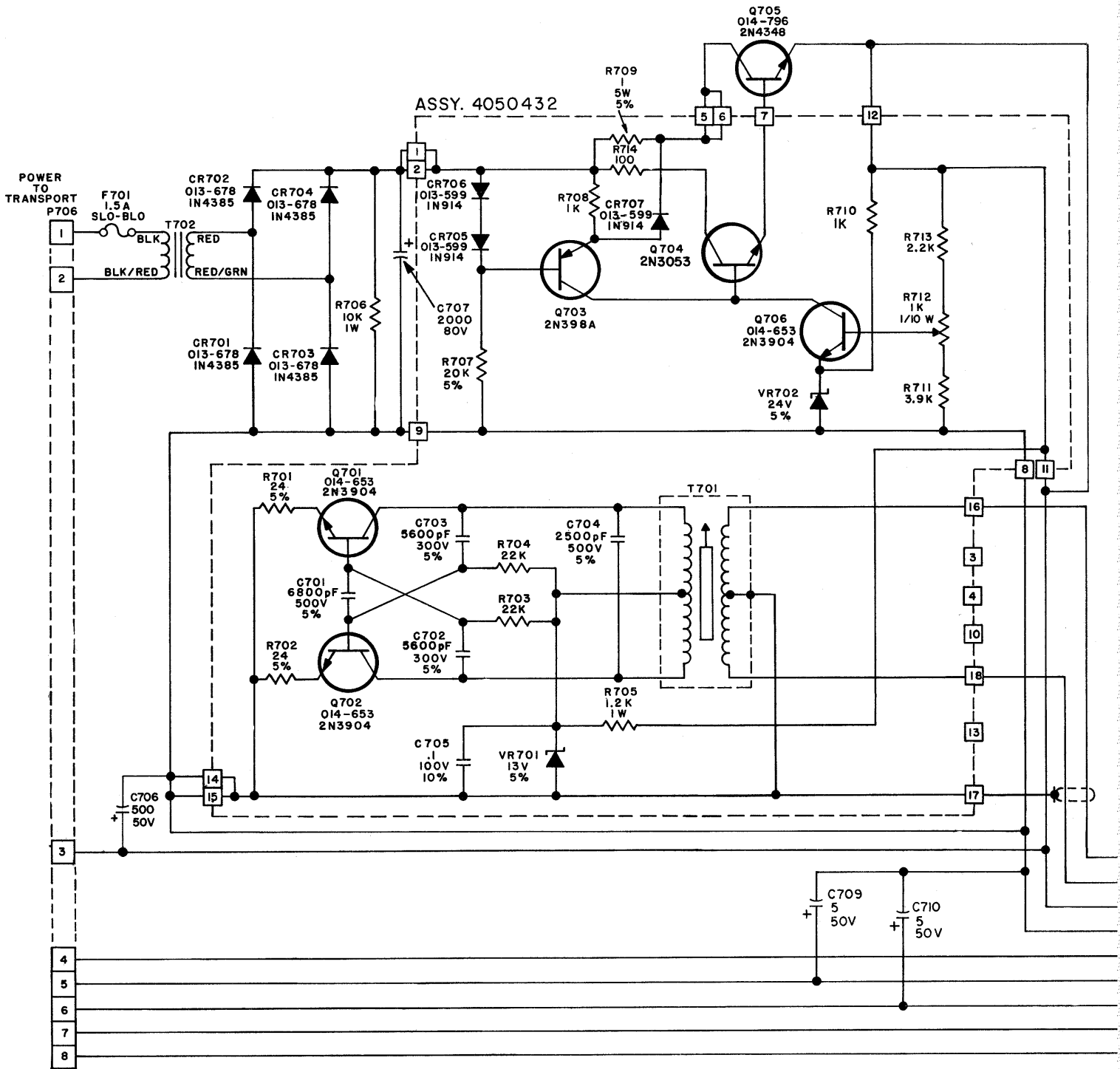
1. ALL CAPACITOR VALUES ARE IN MICROFARADS, RATINGS AS INDIC
2. ALL RESISTORS VALUES ARE IN OHMS, 1/2 WATT, 10%.



LAST REF. DES. USED	REF. DES. NOT USED
C710	C708
CR707	
Q706	
VR702	
T702	
R714	

POWER  
TO  
ELECTRONICS

Schematic No. 4840168  
Power Supply



NOTES:

UNLESS OTHERWISE SPECIFIED

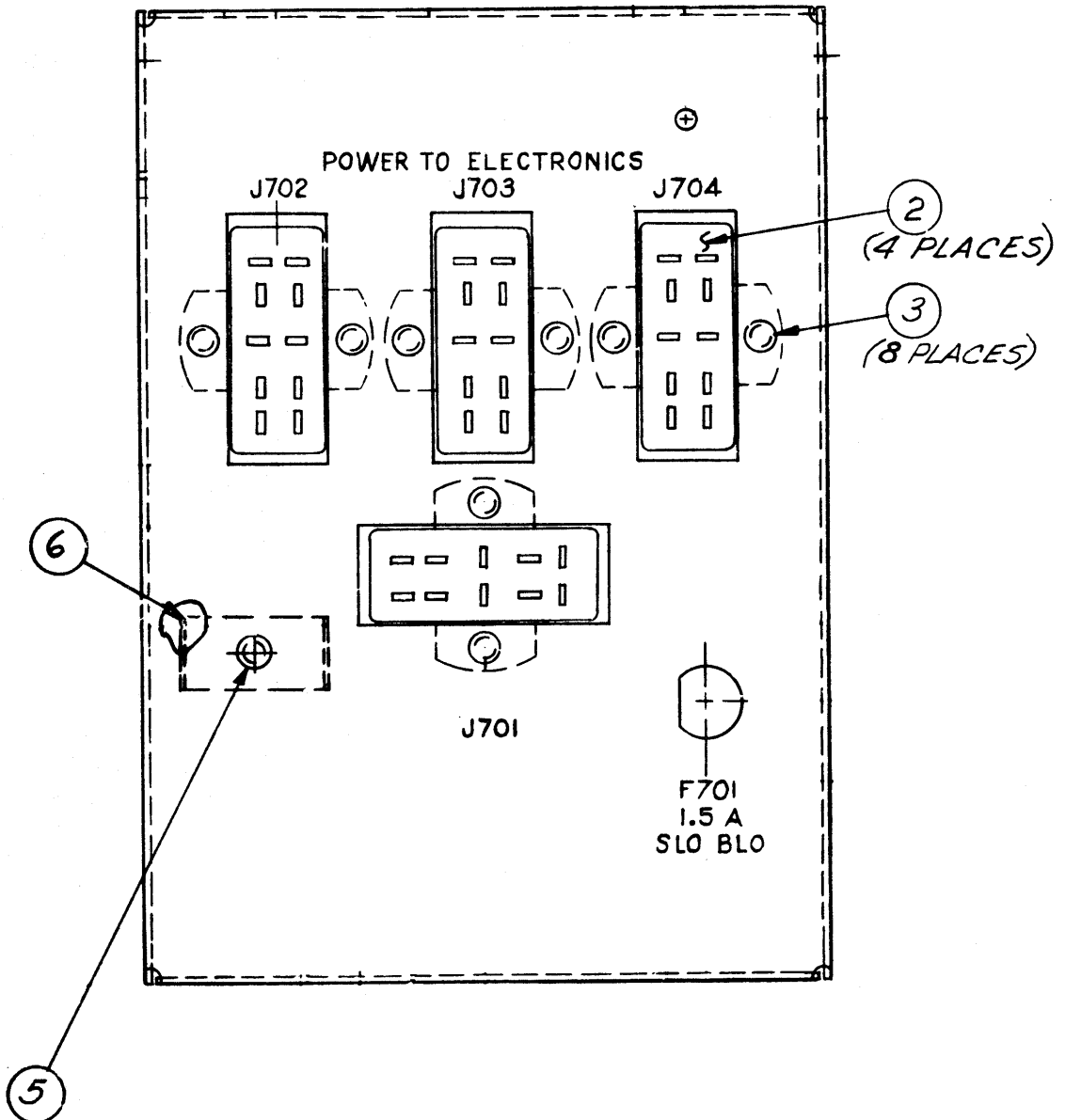
1. ALL CAPACITOR VALUES ARE IN MICROFARADS, RATINGS AS INDICATED.
2. ALL RESISTORS VALUES ARE IN OHMS, 1/2 WATT, 10%.

LAST REF. DES. USED	REF. DES. NOT USED
C710	C708
CR707	
Q706	
VR702	
T702	
R714	

NEXT HIGHER ASSEMBLY NO. 4020274

ITEM NO.	AMPEX PART NO.	REFERENCE NUMBER	DESCRIPTION	JEDEC NO. OR MFR. PART NO.
2	146-018		CONNECTOR, RECP, 10 PINS, FEMALE	
3	460-037		RIVET, 0.125 DIA X 0.156 LG	
5	460-998		RIVET, 0.125 DIA X 0.218 LG	
6	301-138		RETAINER, CAPACITOR	

VERSION: 4040968-03



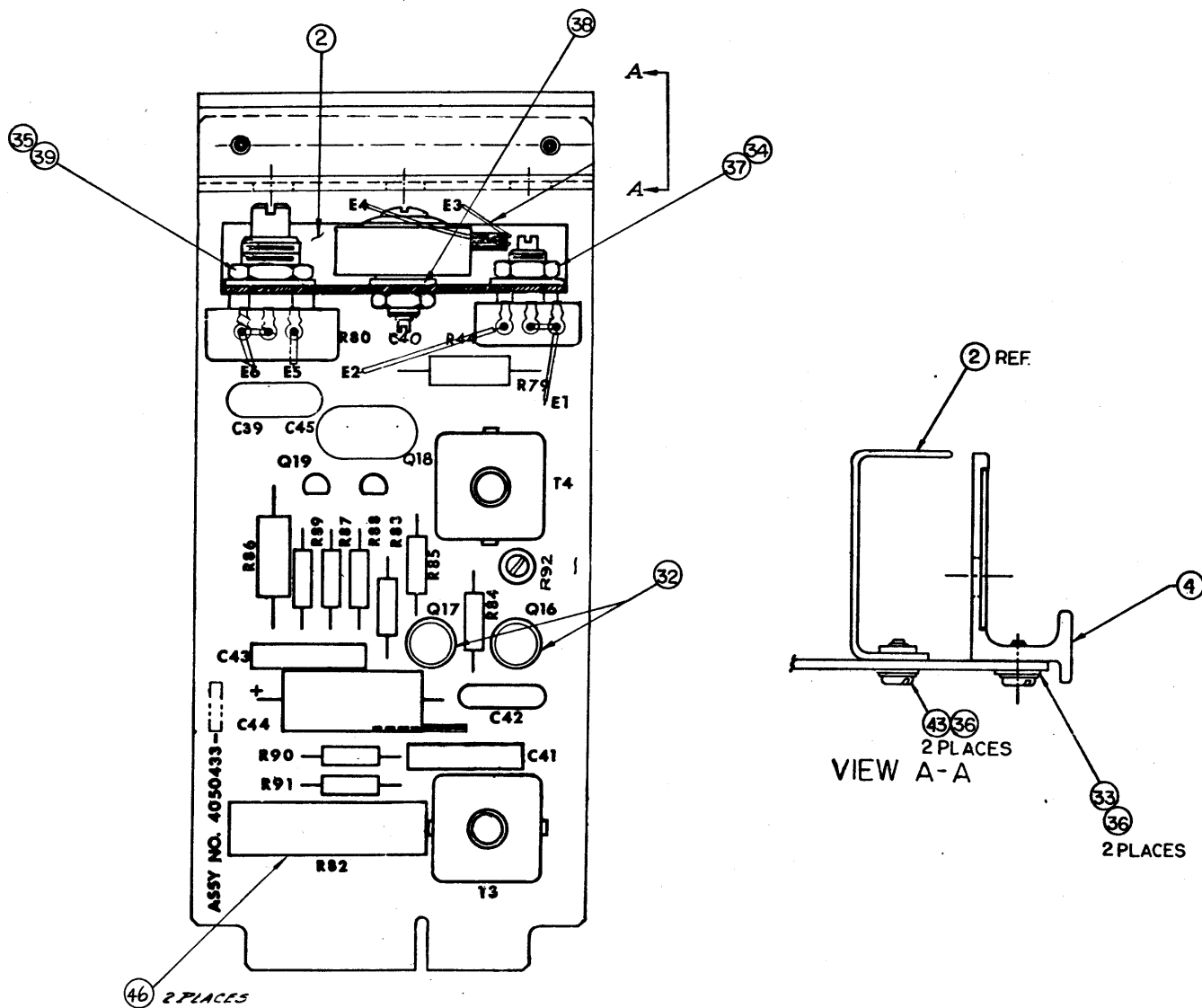


NEXT HIGHER ASSEMBLY NO. 4010202, 4010203, 4010204

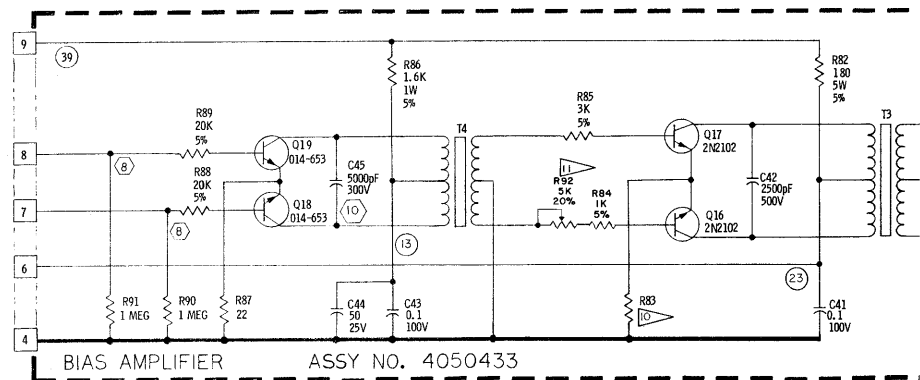
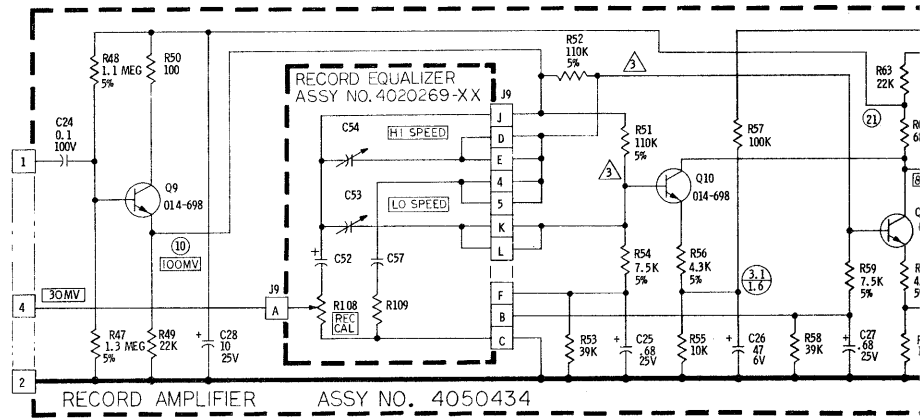
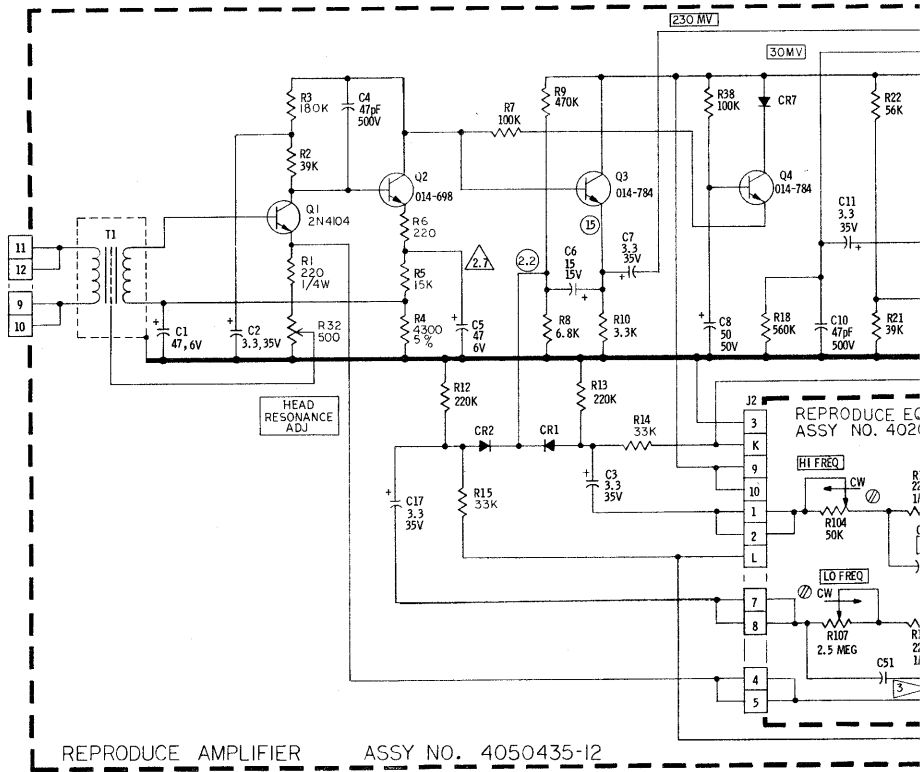
ITEM NO.	AMPEX PART NO.	REFERENCE NUMBER	DESCRIPTION	JEDEC NO. OR MFR. PART NO.
1	4030034-30		DUMMY PLUG ASSY	
2	4040978-01		COVER, ELECTRONICS	
3	4040978-02		COVER, ELECTRONICS	
6	4050433-08		BIAS AMPLIFIER PWA, 1/2" TAPE UNIT	
7	4050434-03		RECORD PWA	
8	4050435-12		REPRODUCE PWA	
9	4050564-01		RECORD CONTROL PWA	
10	4050593-01		PANEL ASSY, LEFT SIDE	
11	4050601-01		PANEL ASSY, BACK	
12	4050616-01		PANEL ASSY, FRONT	
13	4050621-01		PANEL ASSY, RIGHT SIDE	
14	4050632-01		ELECTRONICS HARNESS ASSY	
15	4050639-01		ENCLOSURE ASSY	
16	4050433-09		BIAS AMPLIFIER PWA, 1/4" TAPE UNIT	
18	4220245-01		SPACER, CHASSIS	
19	4600080-01		SHIELD, ENCLOSURE REAR	
23	4840248		SCHEMATIC, ELECTRONICS	
24	4840249		SCHEMATIC, ELECTRONIC MODULES	
31	302-160		CLAMP, CABLE, PLASTIC, 0.250 ID	
32	302-200		CLAMP, CABLE, PLASTIC, 0.375 ID	
34	471-069		SCREW, PAN HD, XREC, 6-32 X 3/8 LG	
35	473-105		SCREW, PAN HD, XREC, 6-32 X 2-1/2 LG	
36	473-324		SCREW, PAN HD, XREC, 4-40 X 1/4 LG	
39	475-085		SCREW, PAN HD, XREC, 6-32 X 5/16 LG	
40	476-998		SCREW, HEX WASHER HD, SELF TAPPING, NO. 6 X 1/4 LG	
41	476-999		SCREW, HEX WASHER HD, SELF TAPPING, NO. 6 X 3/8 LG	
43	496-005		NUT, KEP, NO. 6-32	
44	501-008		WASHER, FLAT, NO. 4	
45	501-009		WASHER, FLAT, NO. 6	
46	506-012		WASHER, NO. 6'D'	
			VERSION: 4020337-01 1/2 INCH TAPE UNIT 4020337-02 1/4 INCH TAPE UNIT	

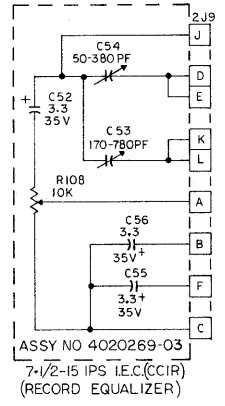
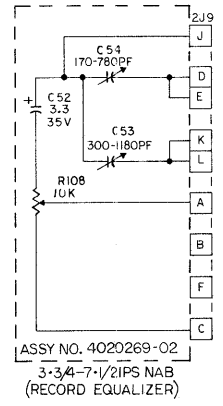
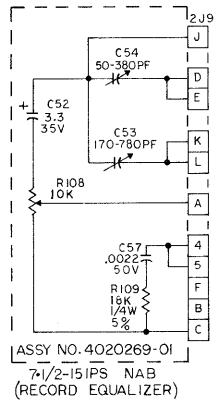
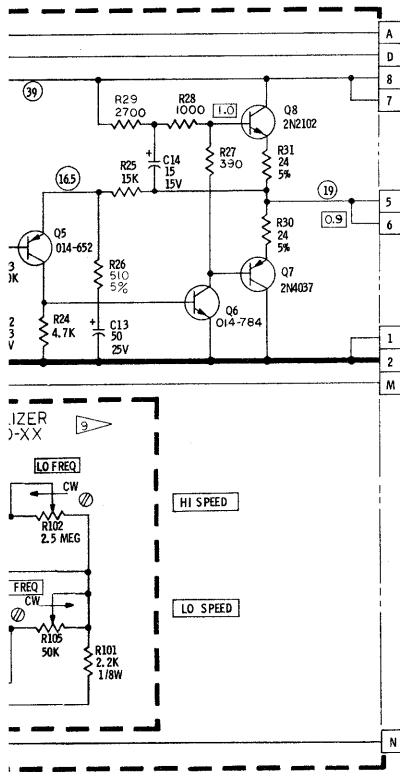
NEXT HIGHER ASSEMBLY NO. 4020337

ITEM NO.	AMPEX PART NO.	REFERENCE NUMBER	DESCRIPTION	JEDEC NO. OR MFR. PART NO.
2	4040972-01		BRACKET, BIAS EQUALIZATION	
4	4330261-01		PLATE, FRONT, BIAS MODULE	
5	4520154-01	R44	POTENTIOMETER BIAS CALIBRATE, 750 OHM	
6	4520145-20	R80	POTENTIOMETER BIAS ADJUST, 24K	
7	4580123-01	T3,4	COIL, OSCILLATOR	
18	014-329	Q16,17	TRANSISTOR	2N2102
19	014-653	Q18,19	TRANSISTOR	2N3904
20	031-190	C44	CAPACITOR, ELEC, 50 MFD, 25V	
21	034-994	C42	CAPACITOR, MICA, 2500 PFD, 500V, 5%	
22	034-960	C45	CAPACITOR, MICA, 5000 PFD, 300V, 5%	
24	041-031	R90,91	RESISTOR, FIXED, 1M, 1/2W, 10%	
25	041-033	R87	RESISTOR, COMP, 22 OHM, 1/2W, 10%	
26	041-345	R83	RESISTOR, COMP, 51 OHM, 1/2W, 5%, USED ON 1/2" TAPE UNIT	
27	041-353	R86	RESISTOR, FIXED, 1.6K, 1W, 5%	
29	041-529	R88,89	RESISTOR, FIXED, 20K, 1/2W, 5%	
30	055-106	C41,43	CAPACITOR, MYLAR, 0.1 MFD, 100V, 10%	
31	059-017	R82	RESISTOR, WW, 180 OHM, 5W, 5%	
32	280-131		PAD, TRANSISTOR, 0.200 DIA	
33	475-006		SCREW, PAN HD, NO. 4-40 X 1/4 LG	
34	492-046		NUT, HEX, 1/4-32	
35	492-095		NUT, HEX, 3/8-32	
36	501-008		WASHER, FLAT, NO. 4	
37	502-028		WASHER, FLAT, INT TOOTH, 1/4"	
38	502-059		WASHER, FLAT, INT TOOTH, NO. 12	
39	502-083		WASHER, FLAT, INT TOOTH, 3/8	
42	034-028	C39	CAPACITOR, MICA, 620 PF, 500V, 5%	
43	475-007		SCREW, PAN HD, NO. 4-40 X 5/16 LG	
44	038-011	C40	CAPACITOR, VAR, 1,400 - 3,055 PF, 250V	
45	041-257	R83	RESISTOR, COMP, 180 OHM, 1/2W, 10%, USED ON 1/4" TAPE UNIT	
46	103307-01		STANDOFF	
47	041-245	R84	RESISTOR, COMP, 1K OHM, 1/2W, 5%	
48	044-944	R92	RESISTOR, VAR, CER, 5K OHM, 20%	
49	041-475	R85	RESISTOR, COMP, 3K OHM, 1/2W, 5%	
81	4840249		SCHEMATIC	
			VERSION: 4050433-08 1/2" TAPE UNIT 4050433-09 1/4" TAPE UNIT	



Assembly No. 4050433, Bias Amplifier PWA

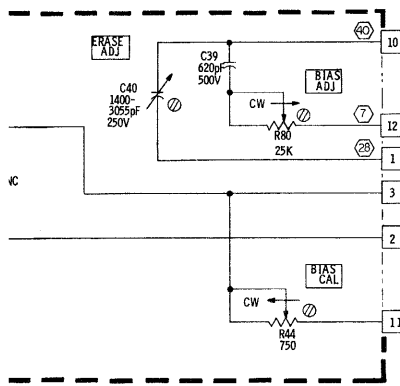
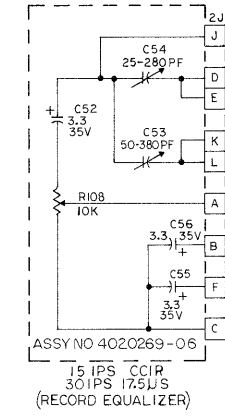
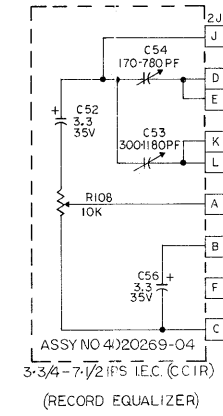
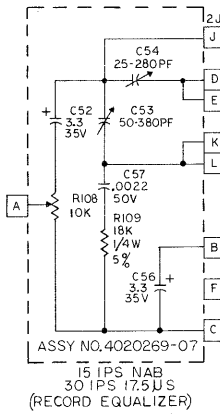
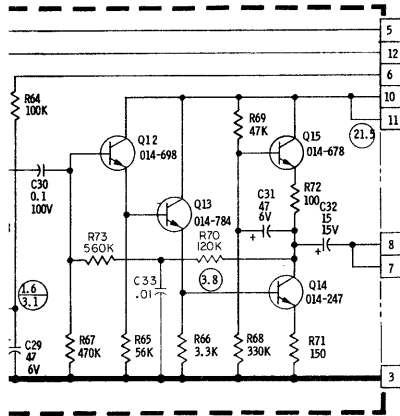


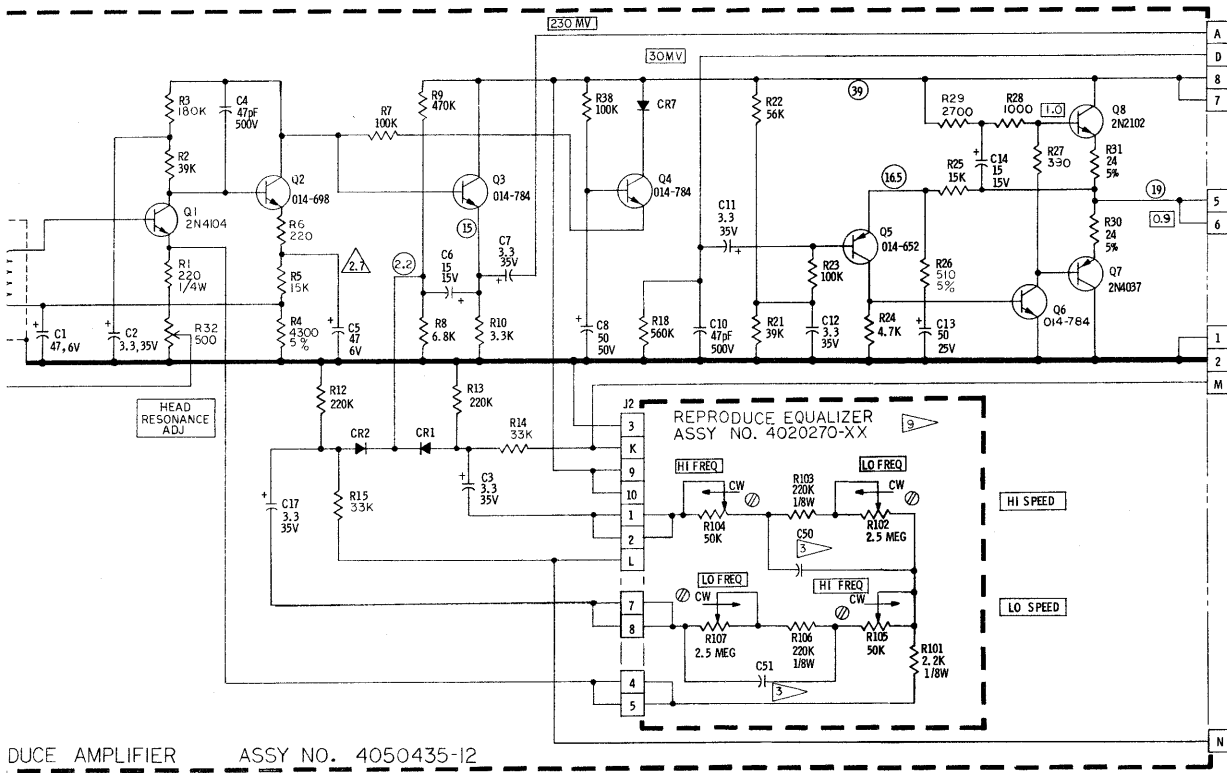


- NOTES: UNLESS OTHERWISE SPECIFIED
1. CAPACITANCE VALUES ARE IN MICROFARADS
  2. DIODES ARE TYPE 013-599.
  3. .0047 FOR 4020270-01 EQUALIZER, .0033 FOR 4020270-02
  4. RESISTANCE VALUES ARE IN OHMS 1/2W, 10%.
  5. (X) INDICATES VOLTS D.C. MEASURED WITH A 20,000 OHM/VOLT METER.
  6. (Δ) INDICATES VOLTS D.C. MEASURED WITH A HIGH IMPEDANCE VTVM.
  7. (XX) INDICATES VOLTS R.M.S. MEASURED WITH A HIGH IMPEDANCE VTVM AT OPERATING LEVEL OF 700 Hz., +8VU OUT, 75 MIL TRACK HEADS.
  8. (⊗) INDICATES VOLTS R.M.S. MEASURED WITH A HIGH IMPEDANCE VTVM AT BIAS FREQUENCY.
  9. EQUALIZER 4020270-01 CAN BE ADJUSTED FOR 3 3/4 THRU 15 IPS, NAB OR CCIR. EQUALIZER 4020270-02 CAN BE ADJUSTED FOR 7 1/2 THRU 30 IPS, NAB OR CCIR.

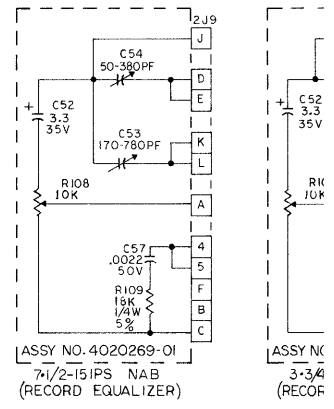
REF. DES.	AMPEX PIN	NEAREST COML. EQUIVALENT
CR1, CR2, CR7	013-599	1N914
Q14	014-247	2N2219
Q5	014-652	2N906
Q18, Q19	014-653	2N904
Q15	014-678	2N2219A
Q2, Q9-12	014-698	2N3117 OR 2N5088
Q3, 4, 13, 6	014-784	2N4946

10 51Ω, 5% EXCEPT 180Ω, 10% FOR USE WITH 1/4 TRACK ERASE HEADS.  
 11 ADJUST R92 FOR MINIMUM NOISE FROM TAPE. IF NOISE NULL CAN NOT BE FOUND, CHECK COMPONENTS FOR IMBALANCE OR HEADS FOR MAGNETIZATION





DUCE AMPLIFIER ASSY NO. 4050435-12

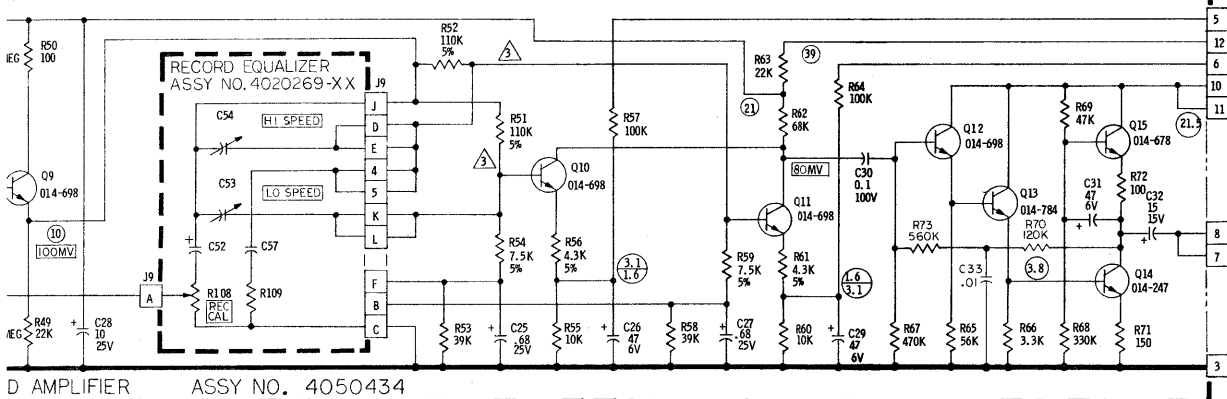


ASSY NO. 4020269-01  
7-1/2-15 IPS NAB  
(RECORD EQUALIZER)

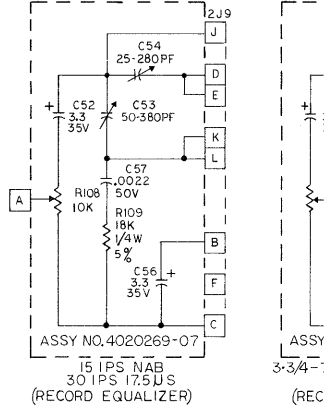
ASSY NO. 4020269-02  
3-3/4-15 IPS NAB  
(RECORD EQUALIZER)

- NOTES: UNLESS OTHERWISE SPECIFIED:
- CAPACITANCE VALUE
  - DIODES ARE TYPE C
  - .0047 FOR 4020269-02
  - RESISTANCE VALUE
  - INDICATES VOLTAGE
  - INDICATES VOLTAGE
  - INDICATES VOLTAGE LEVEL OF 700 HZ
  - INDICATES VOLTAGE
  - EQUALIZER 4020269-02

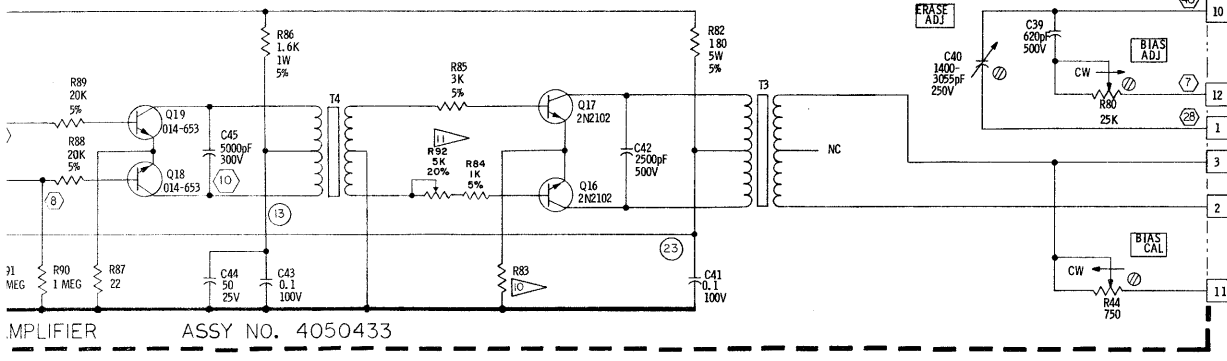
REF. DES.	A
CR1, CR2, CR7	
Q14	
Q5	
Q18, Q19	
Q15	
Q2, Q9-12	
Q3, 4, 13, 6	



D AMPLIFIER ASSY NO. 4050434



ASSY NO. 4020269-07  
15 IPS NAB  
30 IPS 17.5 US  
(RECORD EQUALIZER)

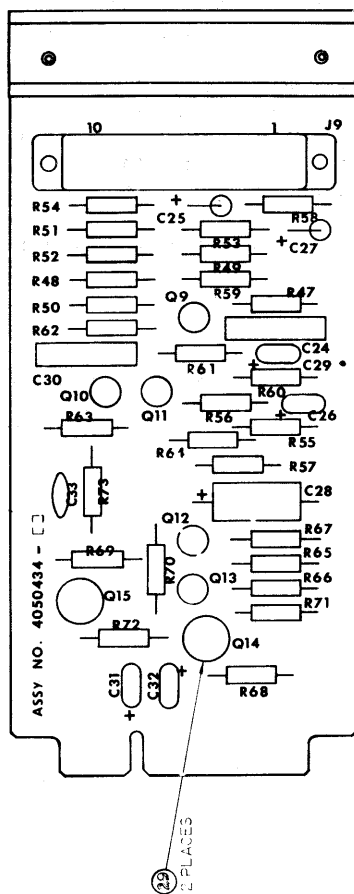


AMPLIFIER ASSY NO. 4050433

NEXT HIGHER ASSEMBLY NO. 4020337

ITEM NO.	AMPEX PART NO.	REFERENCE NUMBER	DESCRIPTION	JEDEC NO. OR MFR. PART NO.
2	4030262-01		PLATE, FRONT, RECORD MODULE	
5	031-148	C28	CAPACITOR, ELEC, 10 UF, 25V	
6	037-446	C32	CAPACITOR, TANT, 15 UF, 15V, 20%	
7	037-494	C26, 29, 31	CAPACITOR, TANT, 47 UF, 6V, 20%	
9	055-106	C24, 30	CAPACITOR, MYLAR, 0.1 UF, 100V, 10%	
10	041-012	R56, 61	RESISTOR, FIXED, 4.3K, 1/2W, 5%	
11	041-024	R51, 52	RESISTOR, FIXED, 110K, 1/2W, 5%	
12	041-038	R50, 72	RESISTOR, FIXED, 100 OHM, 1/2W, 10%	
13	041-054	R66	RESISTOR, FIXED, 3.3K, 1/2W, 10%	
14	041-060	R55, 60	RESISTOR, FIXED, 10K, 1/2W, 10%	
15	041-064	R49, 63	RESISTOR, FIXED, 22K, 1/2W, 10%	
16	041-067	R53, 58	RESISTOR, FIXED, 39K, 1/2W, 10%	
17	041-068	R69	RESISTOR, FIXED, 47K, 1/2W, 10%	
18	041-069	R65	RESISTOR, FIXED, 56K, 1/2W, 10%	
19	041-070	R62	RESISTOR, FIXED, 68K, 1/2W, 10%	
20	041-072	R57, 64	RESISTOR, FIXED, 100K, 1/2W, 10%	
21	041-078	R68	RESISTOR, FIXED, 330K, 1/2W, 10%	
22	041-080	R67	RESISTOR, FIXED, 470K, 1/2W, 10%	
24	041-241	R71	RESISTOR, FIXED, 150 OHM, 1/2W, 10%	
25	041-361	R54, 59	RESISTOR, FIXED, 7.5K, 1/2W, 5%	
26	041-377	R47	RESISTOR, FIXED, 1.3M, 1/2W, 5%	
27	041-898	R48	RESISTOR, FIXED, 1.1M, 1/2W, 5%	
29	280-131		PAD, TRANSISTOR	
30	475-006		SCREW, PAN HD, NO. 4-40 X 1/4	
31	501-008		WASHER, FLAT, NO. 4	
32	4030270-01	J9	CONNECTOR ASSY, 10 PIN	
35	014-784	Q13	TRANSISTOR	2N4946
36	014-678	Q15	TRANSISTOR	2N3945
37	014-247	Q14	TRANSISTOR	2N2219
38	014-698	Q9-12	TRANSISTOR	2N3565
39	067-026	C25, 27	CAPACITOR, TANT, .68 UF, 25V, 5%	
41	041-073	R70	RESISTOR, COMP, 120K, 1/2W, 10%	
42	041-081	R73	RESISTOR, COMP, 560K, 1/2W, 10%	
45	030-057	C33	CAPACITOR, CER, 0.01 UF, 100V, 20%	
49	4840249		SCHEMATIC	

VERSION: 4050434-03

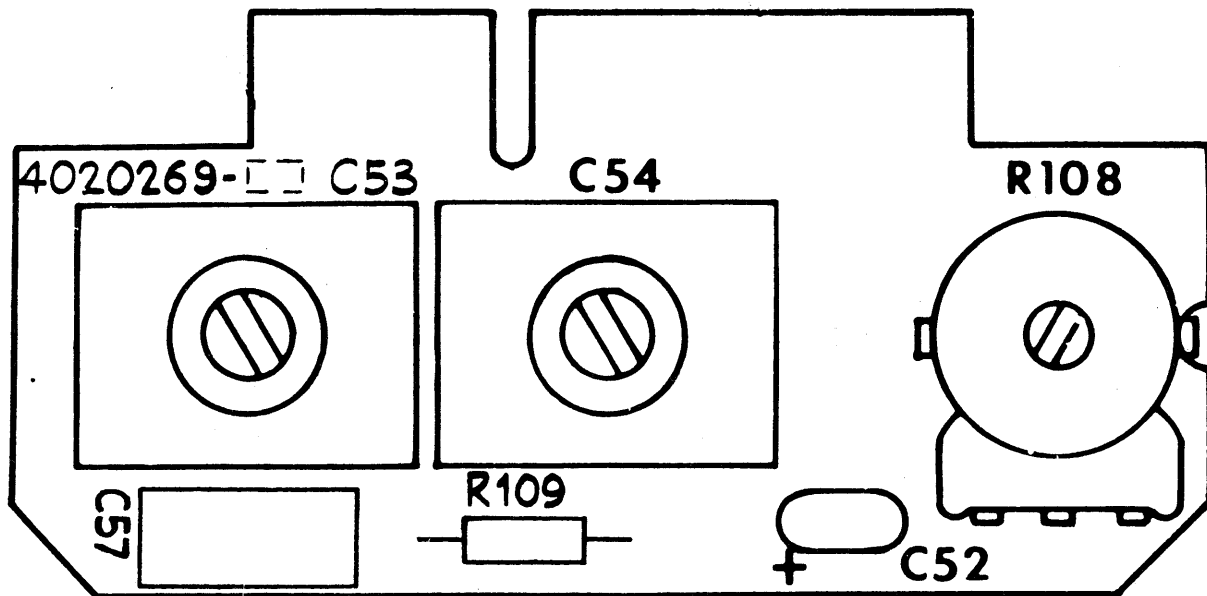


Assembly No. 4050434, Record Amplifier PWA



NEXT HIGHER ASSEMBLY NO. 4010202, 4010203, 4010204

ITEM NO.	AMPEX PART NO.	REFERENCE NUMBER	DESCRIPTION	JEDEC NO. OR MFR. PART NO.
3	4540314-02	C54	CAPACITOR, TRIMMER, 50-380 PF, 7-1/2 - 15 IPS	
4	4540314-03	C53	CAPACITOR, TRIMMER, 170-780 PF, 7-1/2 - 15 IPS	
5	4540314-03	C54	CAPACITOR, TRIMMER, 170-780 PF, 3-3/4 - 7-1/2 IPS	
6	4540314-04	C53	CAPACITOR, TRIMMER, 300-1180 PF, 3-3/4 - 7-1/2 IPS	
7	037-654	C52	CAPACITOR, TANT, 3.3 UF, 35V, 20%	
10	055-164	C57	CAPACITOR, TANT, 3.3 UF, 35V, 20%	
11	041-436	R109	RESISTOR, FIXED, 18K, 1/4W, 5%, 7-1/2 - 15 IPS & 15-30 IPS	
12	037-654	C56	CAPACITOR, TANT, 3.3 UF, 35V, 20%, 15-30 IPS	
13	4540314-01	C54	CAPACITOR, TRIMMER, 25-280 PF, 15-30 IPS	
14	4540314-02	C53	CAPACITOR, TRIMMER, 50-380 PF, 15-30 IPS	
18	4520153-07	R108	POTENTIOMETER, RECORD CALIBRATION, 10K	
21	4840249		SCHEMATIC	
VERSION: 4020269-01 7-1/2 - 15 NAB 4020269-02 3-3/4 - 7-1/2 NAB 4020269-07 15 - 30 NAB				

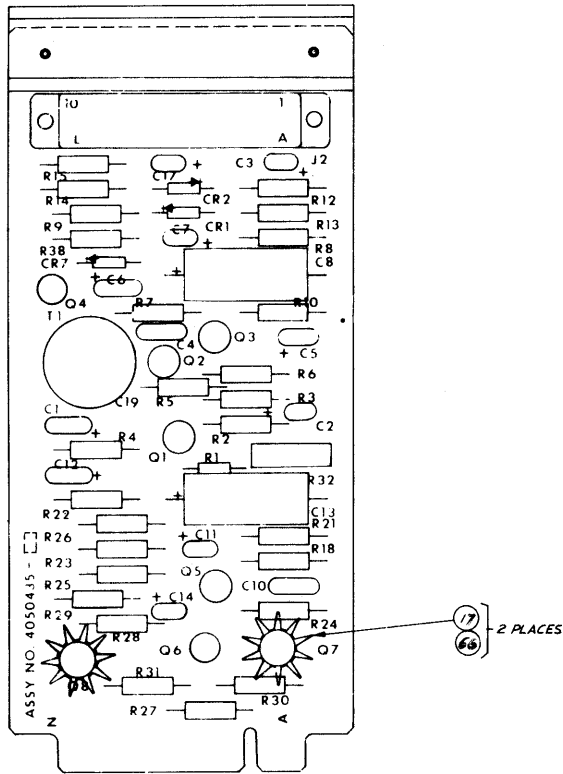


Assembly No. 4020269, Record Equalizer PWA

NEXT HIGHER ASSEMBLY NO. 4020337

ITEM NO.	AMPEX PART NO.	REFERENCE NUMBER	DESCRIPTION	JEDEC NO. OR MFR. PART NO.
1	4030270-02	J2	CONNECTOR ASSY, 10 CONTACT	
4	4330263-01		PLATE, FRONT, REPRODUCE MODULE	
8	4580199-01	T1	TRANSFORMER, INPUT	
12	013-599	CR1, 2, 7	DIODE	1N914
13	014-329	Q8	TRANSISTOR	2N2102
15	014-652	Q5	TRANSISTOR	2N3906
16	014-698	Q2	TRANSISTOR	2N3565
17	014-706		HEATSINK, TRANSISTOR	
18	014-723	Q7	TRANSISTOR	2N4037
19	014-784	Q3, 4, 6	TRANSISTOR	2N4946
21	031-187	C8	CAPACITOR, ELEC, 50 MFD, 50V	
22	031-190	C13	CAPACITOR, ELEC, 50 MFD, 25V	
24	034-181	C4, 10	CAPACITOR, MICA, 47 PFD, 500V, 5%	
28	037-446	C6, 14	CAPACITOR, TANT, 15 MFD, 15V, 20%	
29	037-494	C1, 5	CAPACITOR, TANT, 3.3 MFD, 35V, 20%	
30	037-654	C2, 3, 7, 11, 12, 17	CAPACITOR, TANT, 3.3 MFD, 35V, 20%	
33	041-012	R4	RESISTOR, COMP, 4.3K, 1/2W, 5%	
34	041-040	R6	RESISTOR, 220 OHM, 1/2W, 10%	
35	041-043	R27	RESISTOR, 390 OHM, 1/2W, 10%	
36	041-048	R28	RESISTOR, COMP, 1K, 1/2W, 10%	
40	041-053	R29	RESISTOR, 2.7K, 1/2W, 10%	
41	041-054	R10	RESISTOR, COMP, 3.3K, 1/2W, 10%	
42	041-056	R24	RESISTOR, COMP, 4.7K, 1/2W, 10%	
44	041-058	R8	RESISTOR, COMP, 6.8K, 1/2W, 10%	
46	041-062	R25, 5	RESISTOR, COMP, 15K, 1/2W, 10%	
47	041-067	R2, 21	RESISTOR, COMP, 39K, 1/2W, 10%	
48	041-069	R22	RESISTOR COMP, 56K, 1/2W, 10%	
49	041-072	R7, 23, 38	RESISTOR, COMP, 100K, 1/2W, 10%	
50	041-075	R3	RESISSTOR, COMP, 130K, 1/2W, 10%	
51	041-076	R12, 13	RESISTOR, COMP, 220K, 1/2W, 10%	
52	041-080	R9	RESISTOR, COMP, 470K, 1/2W, 10%	
53	041-081	R18	RESISTOR, COMP, 560K, 1/2W, 10%	
56	041-404	R26	RESISTOR, COMP, 510 OHM, 1/2W, 5%	
58	041-533	R30, 31	RESISTOR, COMP, 24 OHM, 1/2W, 5%	
61	041-066	R14, 15	RESISTOR, COMP, 33K, 1/2W, 10%	
62	049-517	R1	RESISTOR, COMP, 220 OHM, 1/4W, 10%	
63	058-689	R32	RESISTOR, VAR, 500 OHM, 10%	
65	280-130		PAD, MOUNTING, TRANSISTOR	
66	280-131		PAD, MOUNTING	
69	475-007		SCREW, PAN HD, NO. 4-40 X 5/16	
71	501-008		WASHER, FLAT, NO. 4	
73	580-135	Q1	TRANSISTOR	2N4104
76	4840249		SCHEMATIC	

VERSION: 4050435-12



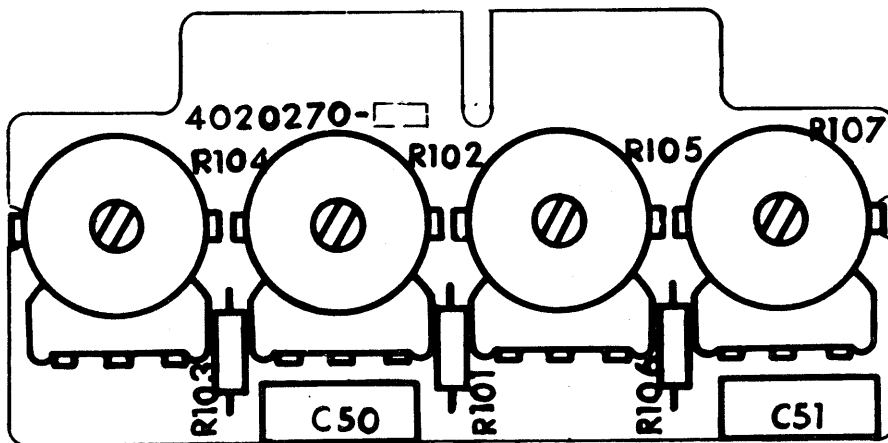
-12 SHOWN

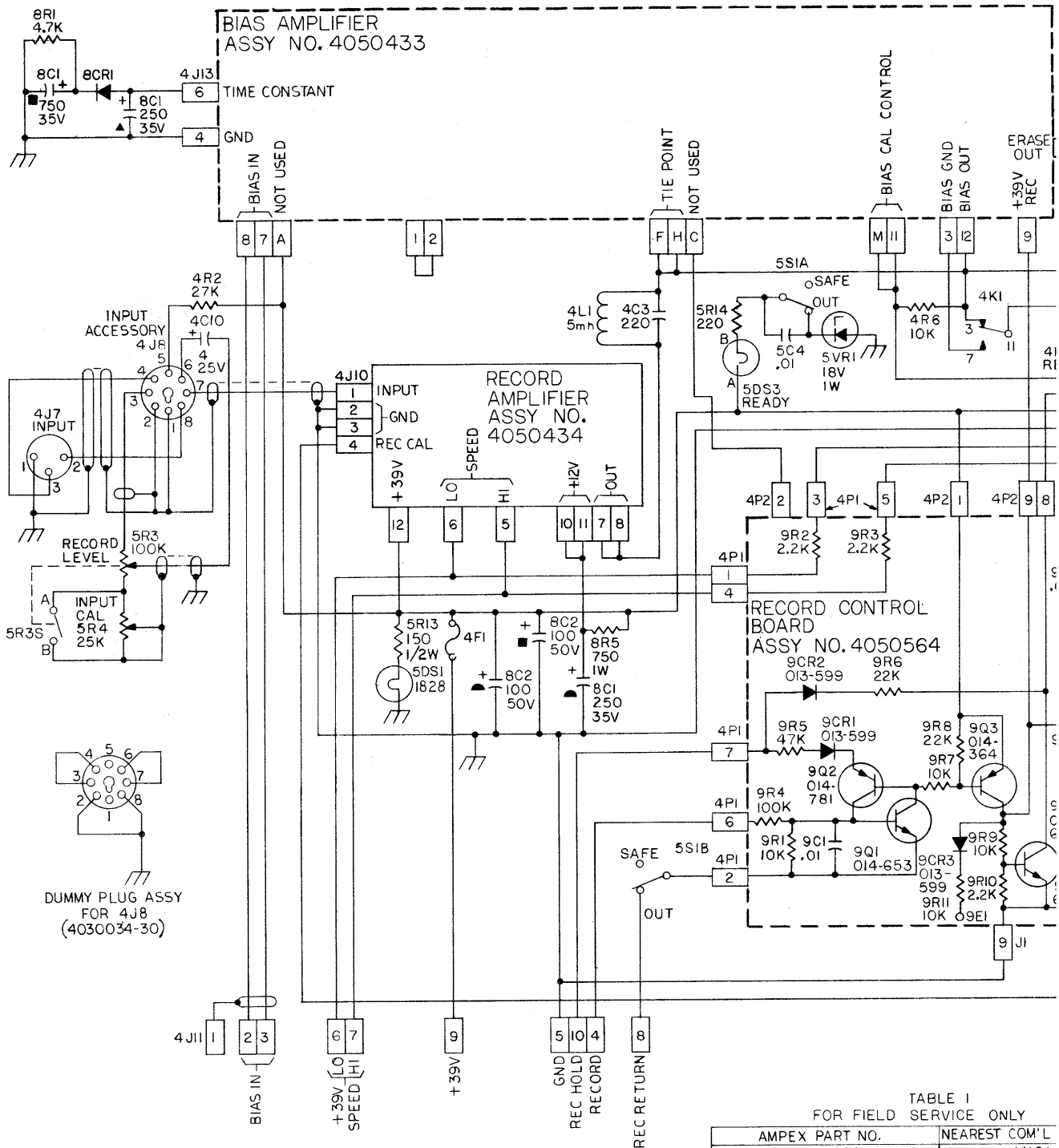
Assembly No. 4050435, Reproduce Amplifier PWA

NEXT HIGHER ASSEMBLY NO. 4010202, 4010203, 4010204

ITEM NO.	AMPEX PART NO.	REFERENCE NUMBER	DESCRIPTION	JEDEC NO. OR MFR. PART NO.
2	4520152-01	R104, 105	POTENTIOMETER, 50K	
3	4520152-02	R102, 107	POTENTIOMETER, 2.5M	
4	049-528	R103, 106	RESISTOR, 220K, 1/8W, 10%	
5	049-527	R101	RESISTOR, 2.2K, 1/8W, 10%	
6	055-222	C50, 51	CAPACITOR, MYLAR, 0.0047 MFD, 3-3/4-7-1/2 IPS & 7-1/2-15 IPS	
8	055-889	C50, 51	CAPACITOR, MYLAR, 0.0033 MFD, 15-30 IPS	
15	4840249		SCHEMATIC	

VERSIONS: 4020270-01 3-3/4 - 7-1/2 & 7-1/2 - 15 IPS  
4020270-02 15-30 IPS





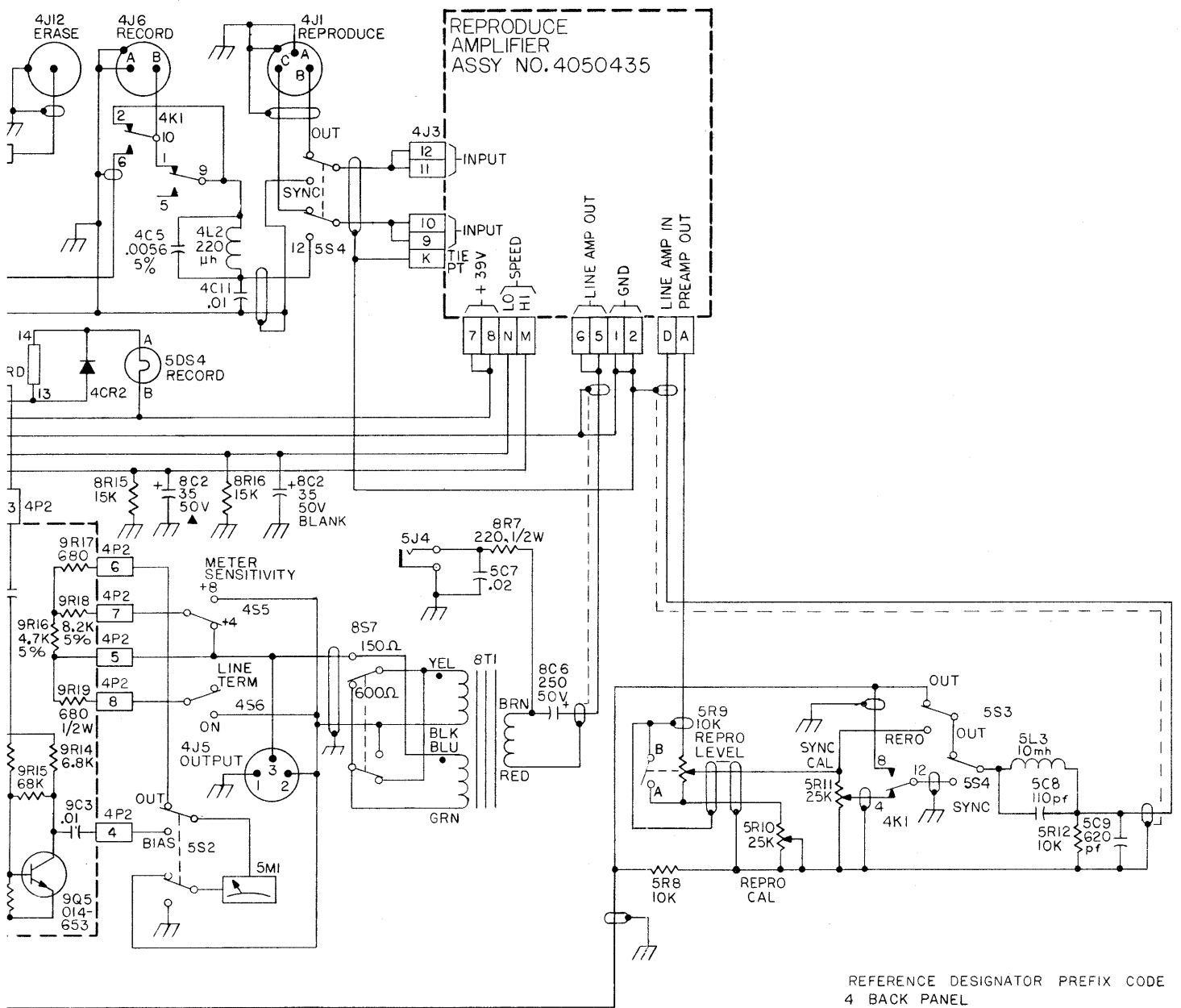
- NOTES UNLESS OTHERWISE SPECIFIED
- 1 ALL RESISTOR VALUES ARE IN OHMS, 1/4W, 10%
  - 2 ALL CAPACITOR VALUES ARE IN MICROFARADS AT INDICATED VOLTAGE
  - 3 ALL DIODES ARE TYPE O13-678
  - 4 SEE TABLE I FOR FIELD SERVICE TRANSISTOR

TABLE I  
FOR FIELD SERVICE ONLY

AMPEX PART NO.	NEAREST COM'L
013-599	1N914
014-364	2N2904
014-653	2N3904
014-781	MPS6
013-678	1N4348

LAST REF DES USED		
R16	P2	
C11	CR2	
DS4	VRI	
L3	F1	
T1	K1	
M1	S7	
J13		

REF DES	
DS2	



U	I	V	A	L	E	N	T

U	I	V	A	L	E	N	T

**Schematic No. 4840248**  
**Record/Reproduce Electronics and**  
**Record Control PWA**

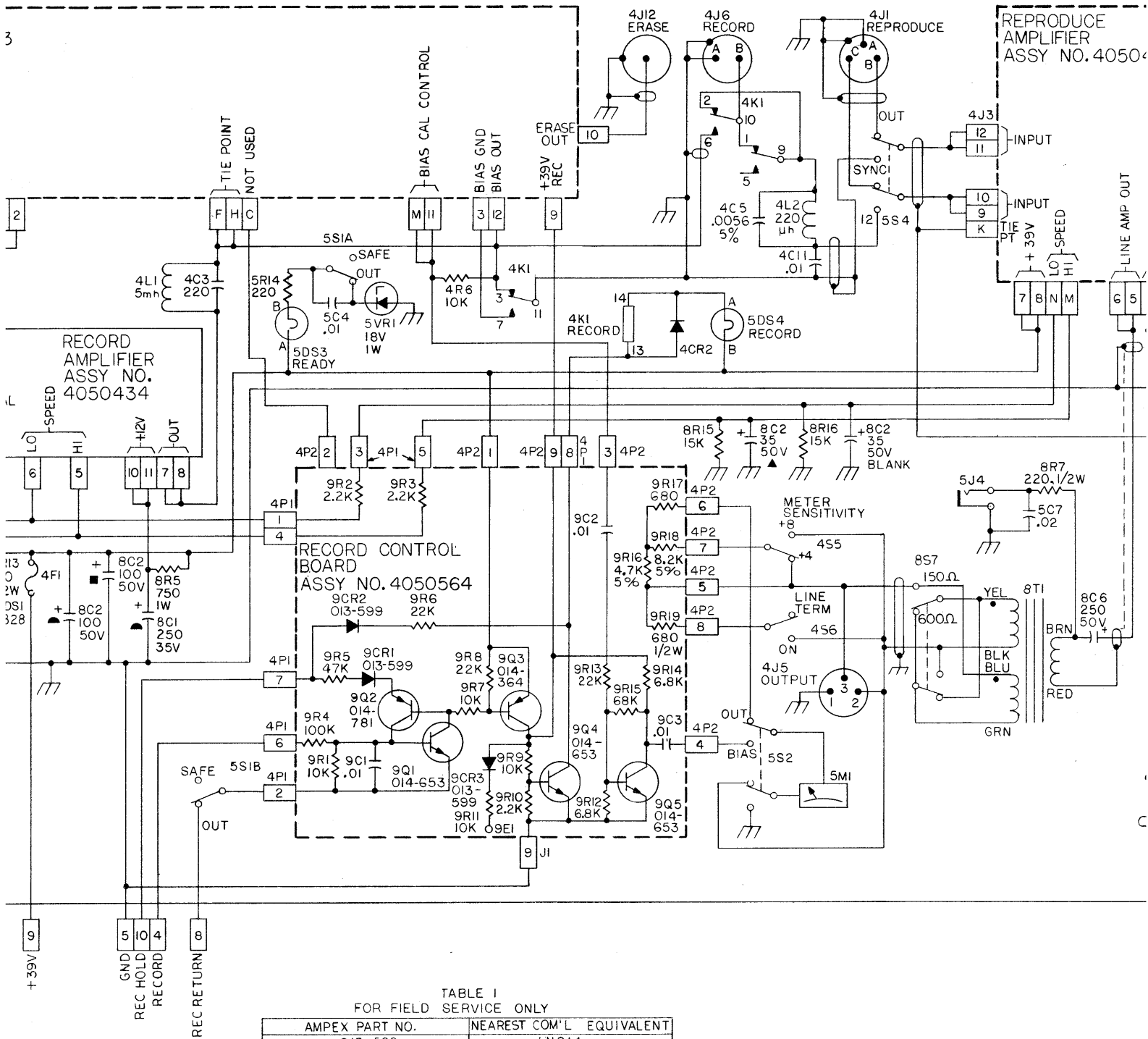


TABLE I  
FOR FIELD SERVICE ONLY

AMPEX PART NO.	NEAREST COM'L EQUIVALENT
013-599	1N914
014-364	2N2905A
014-653	2N39C4
014-781	MPS 6518
013-678	1N4385

LAST REF DES USED	
R16	P2
C11	CR2
DS4	VR1
L3	F1
T1	K1
M1	S7
J13	

REF DES NOT USED	
DS2	

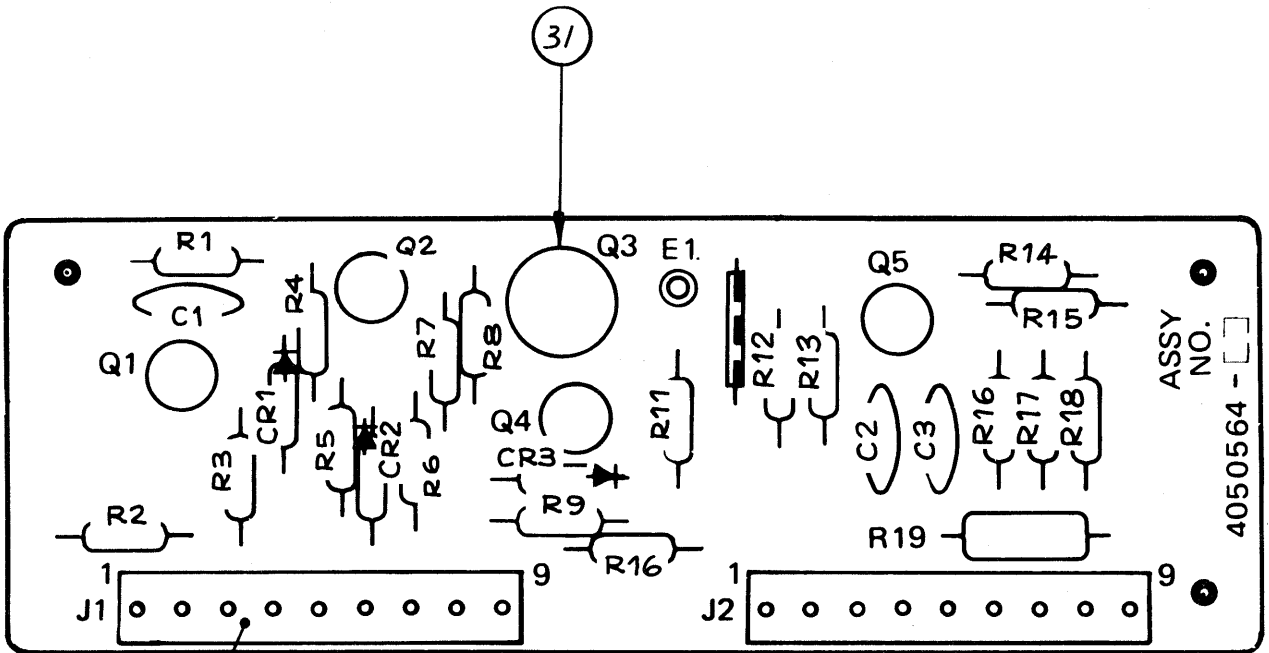
N, 10%  
RADS

ISTOR



NEXT HIGHER ASSEMBLY NO. 4020337

ITEM NO.	AMPEX PART NO.	REFERENCE NUMBER	DESCRIPTION	JEDEC NO. OR MFR. PART NO.
4	139-633	J1, 2	CONNECTOR, 9 PIN	
6	013-599	CR1, 2, 3	DIODE	1N914
8	014-364	Q3	TRANSISTOR	2N2905A
9	014-653	Q1, 4, 5	TRANSISTOR	2N3904
10	014-781	Q2	TRANSISTOR	MPS 6518-5
13	030-057	C1, 2, 3	CAPACITOR, CER, 0.01 UF, 100V, 20%	
16	041-046	R19	RESISTOR, COMP, 680 OHM, 1/2W, 10%	
17	041-412	R16	RESISTOR, COMP, 4.7K, 1/4W, 5%	
18	041-495	R18	RESISTOR, COMP, 8.2K, 1/4W, 5%	
19	041-626	R4	RESISTOR, COMP, 100K, 1/4W, 10%	
20	041-628	R15	RESISTOR, COMP, 68K, 1/4W, 10%	
21	041-630	R6, 8, 13	RESISTOR, COMP, 22K, 1/4W, 10%	
23	041-633	R1, 7, 9, 11	RESISTOR, COMP, 10K, 1/4W, 10%	
24	041-635	R12, 14	RESISTOR, COMP, 6.8K, 1/4W, 10%	
25	041-639	R2, 3, 10	RESISTOR, COMP, 2.2K, 1/4W, 10%	
27	049-334	R17	RESISTOR, COMP, 680 OHM, 1/4W, 10%	
28	049-372	R5	RESISTOR, COMP, 47K, 1/4W, 10%	
31	280-009		PAD, MOUNTING, TRANSISTOR	
32	4840248		SCHEMATIC	
VERSION: 4050564-01				

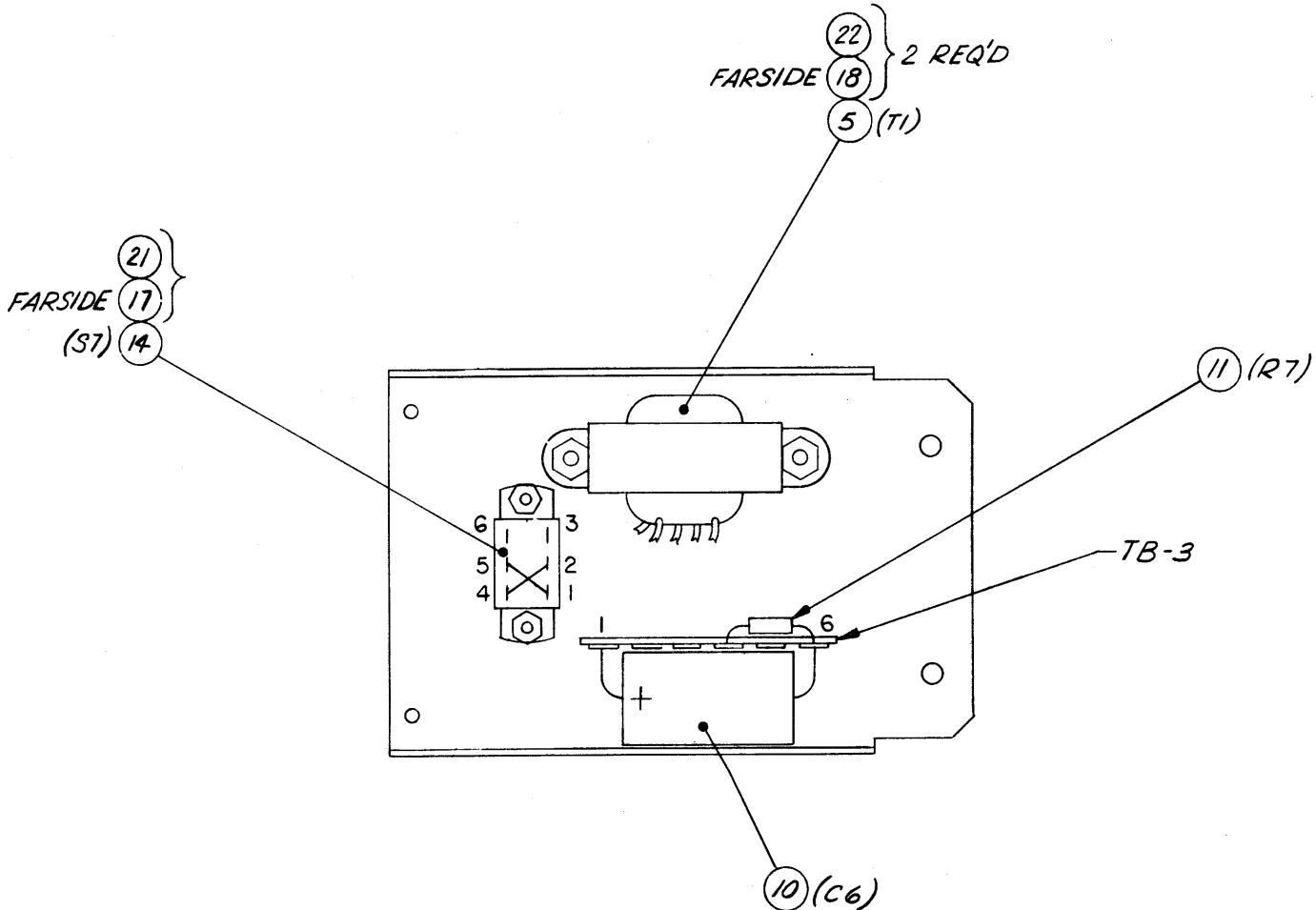


Assembly No. 4050564, Record Control PWA

NEXT HIGHER ASSEMBLY NO. 4020337

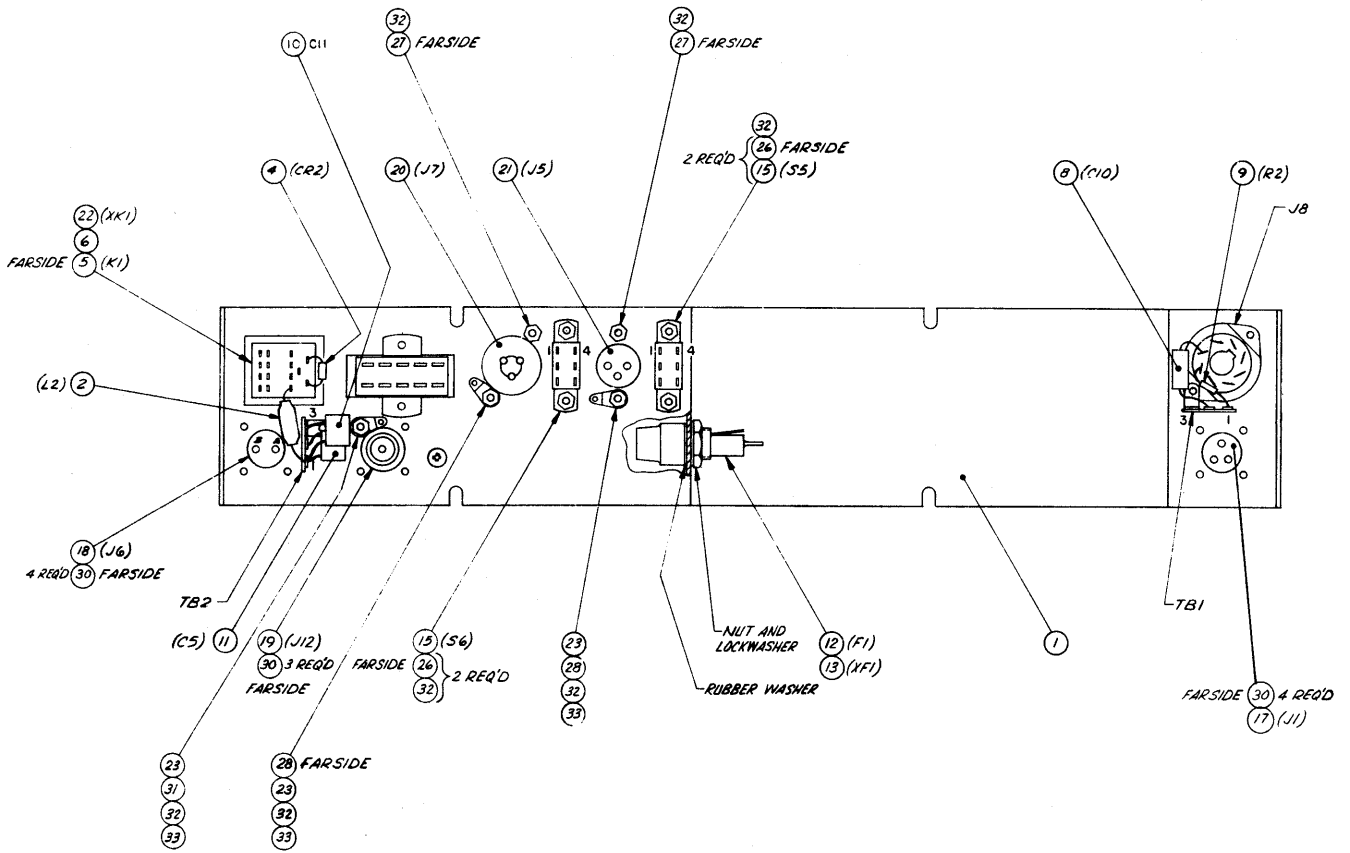
ITEM NO.	AMPEX PART NO.	REFERENCE NUMBER	DESCRIPTION	JEDEC NO. OR MFR. PART NO.
1	4041174-01		PANEL, LEFT SIDE	
5	4580057-01	T1	TRANSFORMER, OUTPUT	
10	031-126	C6	CAPACITOR, FIXED, 250 MFD, 50V	
11	041-040	R7	RESISTOR, COMP, 220 OHM, 1/2W, 10%	
14	119-196	S7	SWITCH, SLIDE DPDT	
17	471-060		SCREW, PAN HD, XREC, NO. 4-40 X 0.250 LG	
18	471-067		SCREW, PAN HD, XREC, NO. 6-32 X 0.250 LG	
21	496-004		NUT, KEP, NO. 4-40	
22	496-005		NUT, KEP, NO. 6-32	

VERSION: 4050593-01



NEXT HIGHER ASSEMBLY NO. 4020337

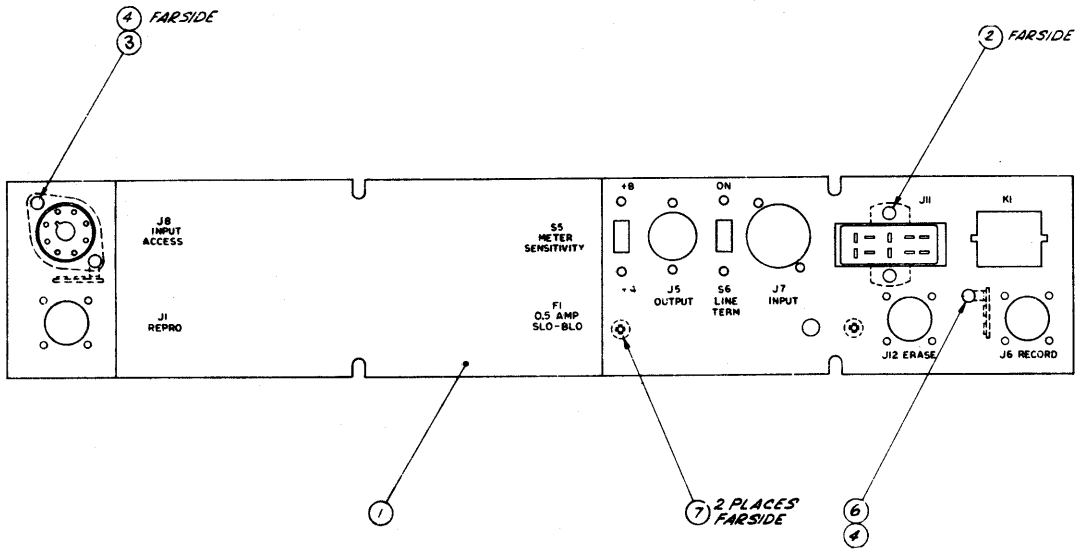
ITEM NO.	AMPEX PART NO.	REFERENCE NUMBER	DESCRIPTION	JEDEC NO. OR MFR. PART NO.
1	4041183-01		REAR PANEL ASSY	
2	4050723-01	L2	SHIELDED CHOKE ASSY, 220 UH	
4	013-678	CR2	DIODE	1N4385
5	020-144	K1	RELAY, 24V, 4 PDT	
6	020-492		SPRING, RELAY HOLDDOWN	
8	031-309	C10	CAPACITOR, 4 MFD, 25V	
9	041-629	R2	RESISTOR, COMP, 27K, 1/4W, ±10%	
10	055-161	C11	CAPACITOR, MYLAR, .01 UF, 50V, ±10%	
11	055-102	C5	CAPACITOR, MYLAR, 0.0056 UF, 100V, ±5%	
12	070-026	F1	FUSE, SLO-BLO, 0.5 AMP, 125V	
13	085-001	XF1	FUSEHOLDER	
15	119-196	S5, 6	SWITCH, DPDT, SLIDE	
17	143-008	J1	CONNECTOR, 3 PIN, MALE	
18	143-009	J6	CONNECTOR, 2 PIN, MALE	
19	143-010	J12	CONNECTOR, 1 PIN, MALE	
20	146-998	J7	CONNECTOR, AUDIO RECP, 3 SOC	
21	147-999	J5	CONNECTOR, AUDIO RECP, 3 PIN	
22	150-992	XK1	SOCKET, RELAY, 14 CONT	
23	172-004		LUG, SOLDER, NO. 4	
26	471-060		SCREW, PAN HD, XREC, NO. 4-40 X 0.250 LG	
30	476-057		SCREW, WASHER, HEX HD, SELF TAPPING, NO. 4-40 X 5/12	
31	476-329		SCREW, WASHER, HEX HD, SELF TAPPING, NO. 4-40 X 0.375 LG	
32	496-004		NUT, KEP, NO. 4-40	
33	501-008		WASHER, FLAT, NO. 4	
VERSION: 4050601-01				



Assembly No. 4050601, Rear Panel Assembly

NEXT HIGHER ASSEMBLY NO. 4050601

ITEM NO.	AMPEX PART NO.	REFERENCE NUMBER	DESCRIPTION	JEDEC NO. OR MFR. PART NO.
1	4290688-01		PANEL, REAR	
2	147-014		CONNECTOR, RECP, 10 PINS, MALE	
3	150-023		SOCKET, OCTAL	
4	180-272		STRIP, TERMINAL	
6	502-014		WASHER, LOCK, EXT TOOTH, NO. 6	
7	280-441		SPACER, THD SWAGE, 4-40 X .38	
VERSION: 4041183-01				



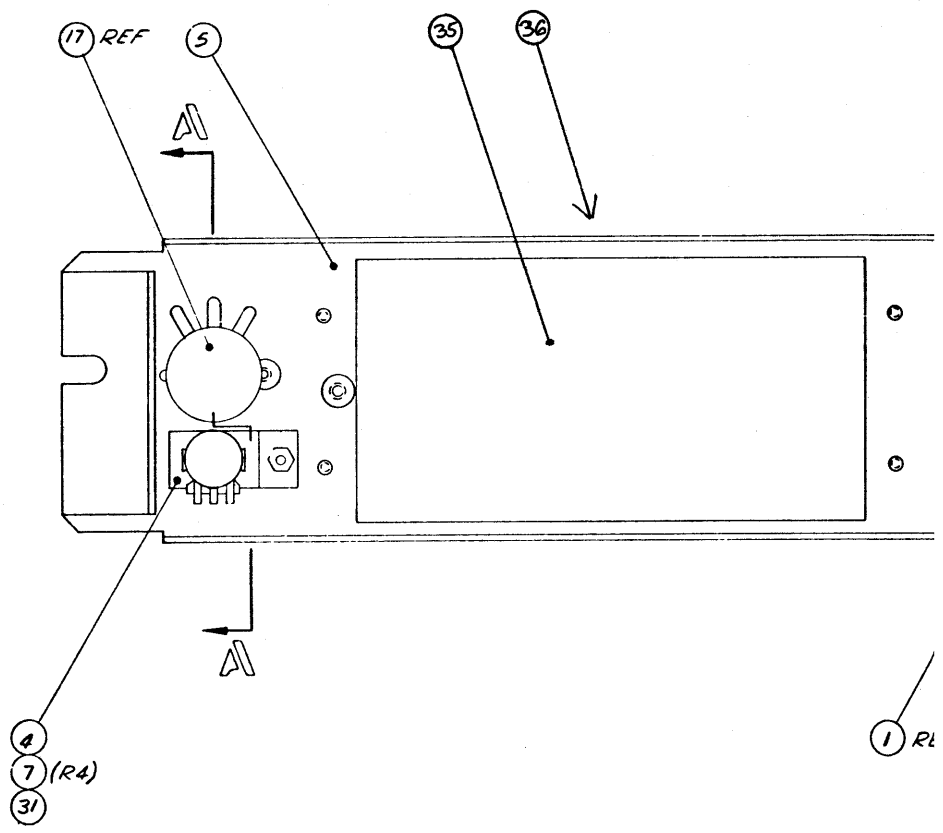
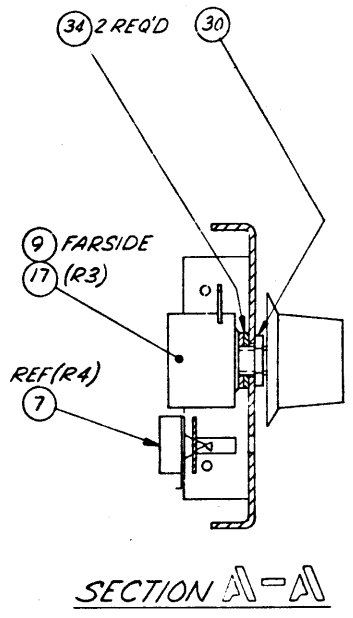
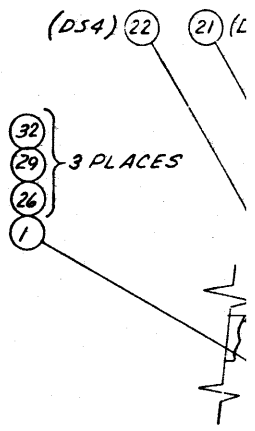
Assembly No. 4041183, Rear Panel

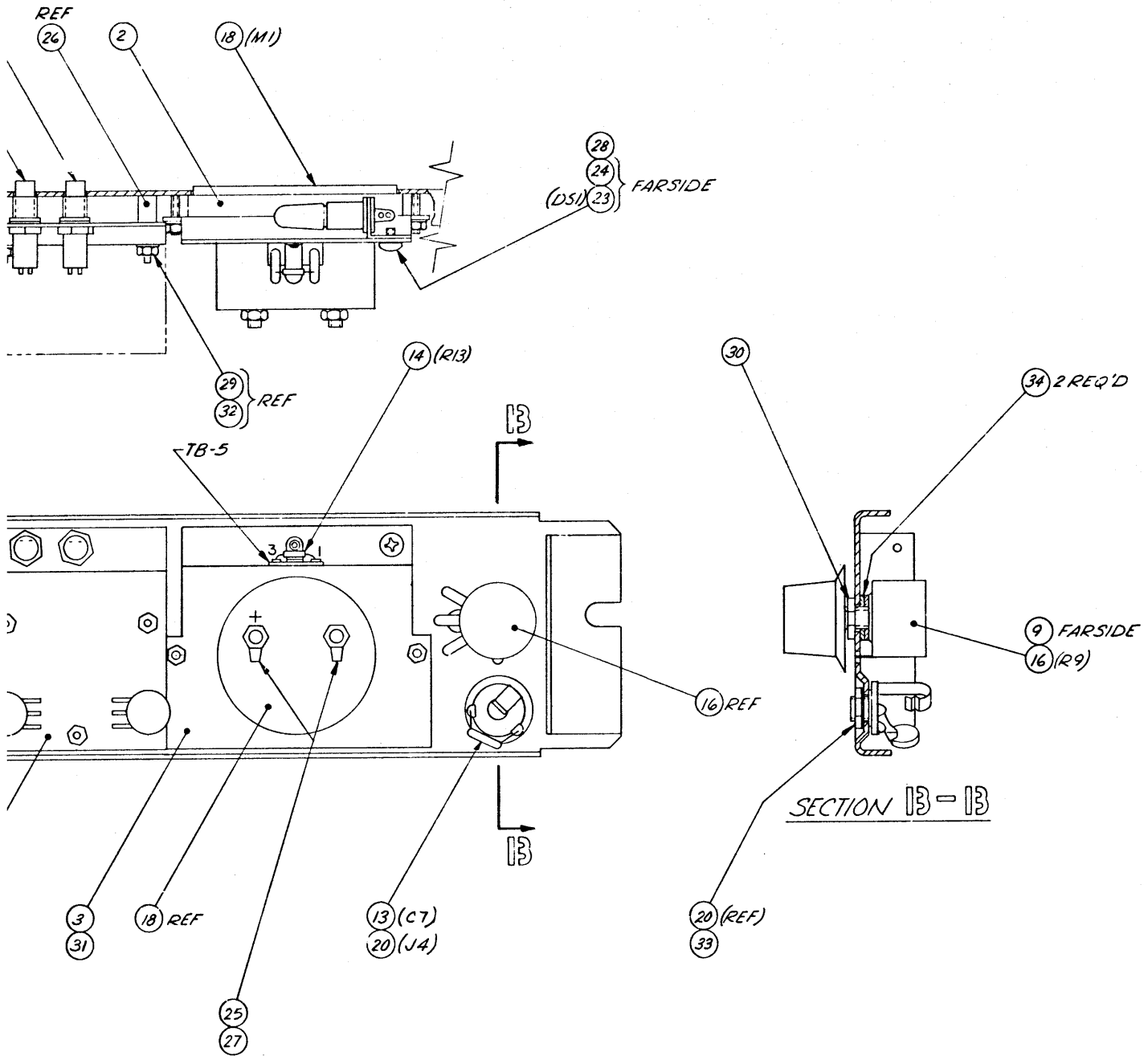
NEXT HIGHER ASSEMBLY NO. 4020337

ITEM NO.	AMPEX PART NO.	REFERENCE NUMBER	DESCRIPTION	JEDEC NO. OR MFR. PART NO.
1	4050617-01		CONTROL CLUSTER ASSY	
2	4130054-01		DIFFUSER, METER LAMP	
3	4260415-01		BRACKET, METER MOUNTING	
4	4250424-01		BRACKET, POTENTIOMETER	
7	4520034-01	R4	RESISTOR, VAR, 25K	
9	6000009-20		KNOB, BLACK SKIRTED	
13	030-001	C7	CAPACITOR, FIXED CER, 0.02 UF, 500V	
14	041-241	R13	RESISTOR, COMP, 150 OHM, 1/2W, 10%	
16	058-594	R9	RESISTOR, VAR, 10K, 2W, 20%	
17	058-888	R3	RESISTOR, VAR, 100K, 2W, 20%, ALT: 044-992	
18	090-178	M1	METER, VU	
20	148-015	J4	JACK, PHONE	
21	132-335	DS3	LAMP, YELLOW	
22	132-334	DS4	LAMP, RED	
23	060-489	DS1	LAMP, METER	NO. 1828
24	132-332		SOCKET, METER LAMP	
25	172-005		LUG, SOLDER, INT TOOTH, NO. 10	
26	280-781		SPACER, PLAIN, NO. 6 X 5/8"	
27	492-011		NUT, PLAIN, NO. 10-32	
28	476-383		SCREW, TAPPING, HEX WASHER, NO. 8-32 X 1/4	
29	492-034		NUT, HEX, SMALL PATTERN, NO. 6-32	
30	492-095		NUT, 3/8 - 32	
31	496-004		NUT, KEP, NO. 4-40	
32	502-025		WASHER, LOCK, INT TOOTH, NO. 6	
33	502-077		WASHER, LOCK, INT TOOTH - FINE, 3/8	
34	502-083		WASHER, LOCK, INT TOOTH - COARSE, 3/8	
35	4040992-02		<i>COVER PLATE</i>	
36	4110139-01		<i>DRESS PANEL</i>	

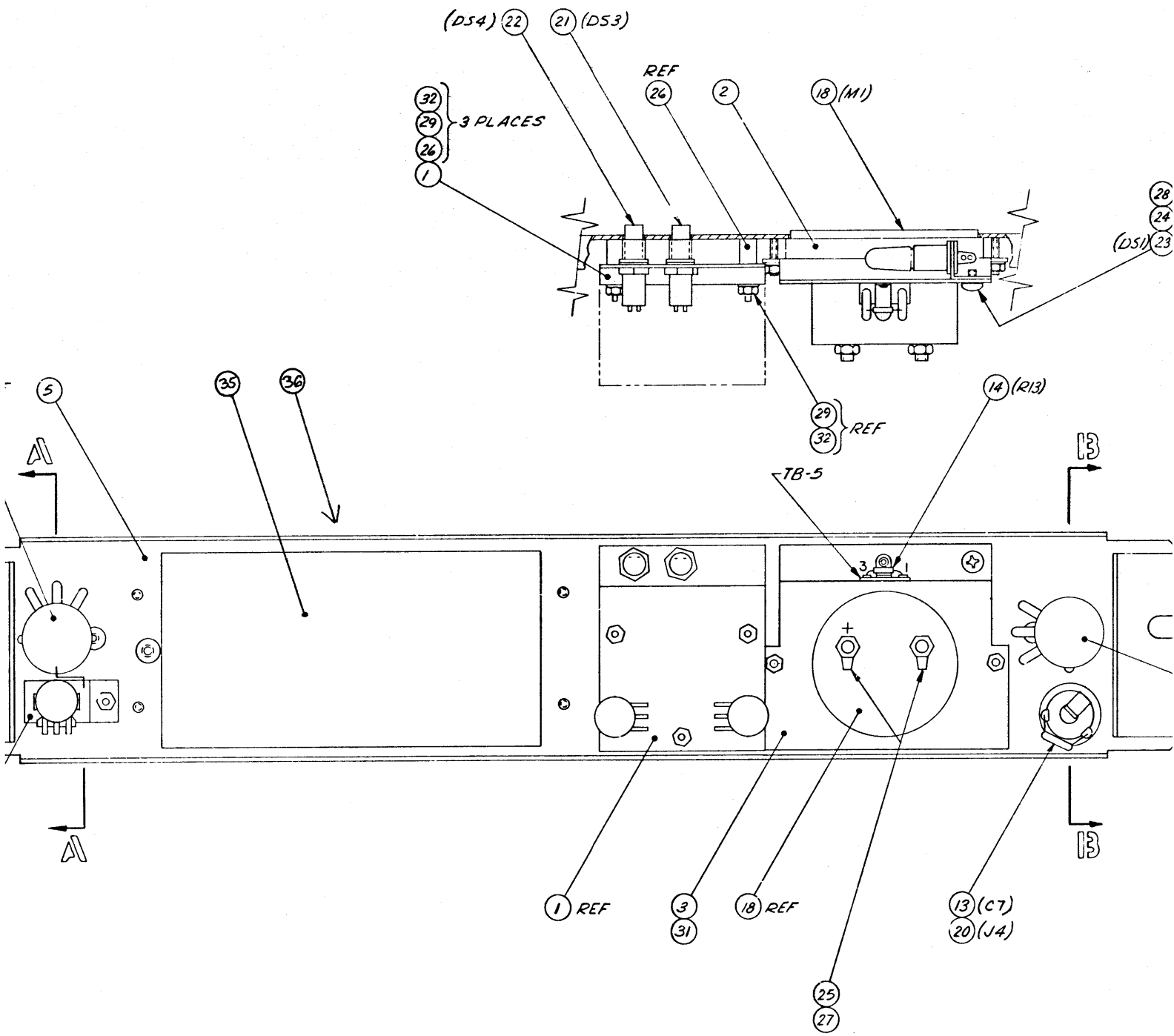
VERSION: 4050616-01







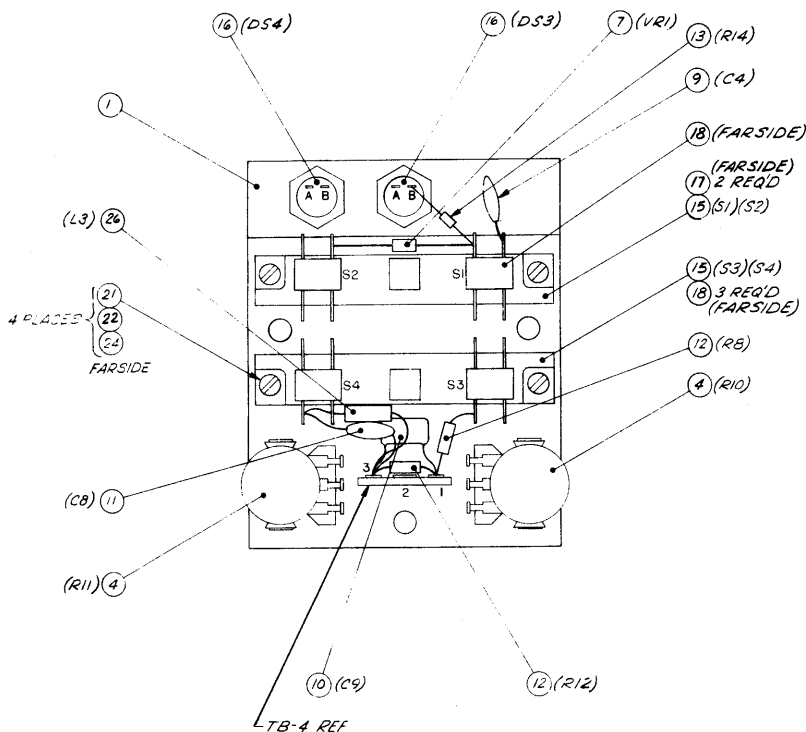
Assembly No. 4050616  
 Front Panel Assembly



NEXT HIGHER ASSEMBLY NO. 4050616

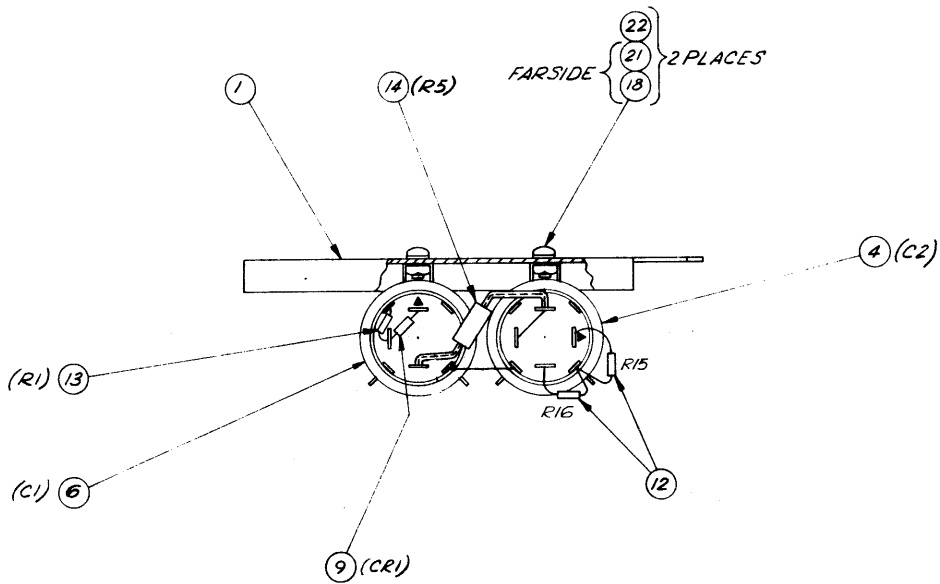
ITEM NO.	AMPEX PART NO.	REFERENCE NUMBER	DESCRIPTION	JEDEC NO. OR MFR. PART NO.
1	4041191-01		BRACKET, SWITCH MOUNTING	
4	4520034-01	R10, 11	POTENTIOMETER, 25K	
7	013-176	VR1	DIODE	
9	030-057	C4	CAPACITOR, CER, 0.01 UFD, 100V, 20%	
10	034-228	C9	CAPACITOR, MICA, 620 PF, 300V, 5%	
11	034-938	C8	CAPACITOR, MICA, 110 PF, 500V, 5%	
12	041-633	R8, 12	RESISTOR, 10K, 1/4W, 10%	
13	049-517	R14	RESISTOR, 220 OHM, 1/4W, 10%	
15	119-250	S1-4	SWITCH, PUSHBUTTON	
16	132-333	DS3, 4	SOCKET, LAMP	
17	121-186		PUSHBUTTON, INDICATOR, ORANGE	
18	121-187		PUSHBUTTON, INDICATOR, GREEN	
21	472-113		SCREW, PAN HD, XREC, 2-56 X 1/4 LG	
22	492-007		NUT, HEX, NO. 2-56	
24	502-023		WASHER, LOCK, INT TOOTH, NO. 2	
26	051-952	L3	CHOKE, 10 MH, ±5%	

VERSION: 4050617-01



NEXT HIGHER ASSEMBLY NO. 4020337

ITEM NO.	AMPEX PART NO.	REFERENCE NUMBER	DESCRIPTION	JEDEC NO. OR MFR. PART NO.	
1	4290670-01		PANEL, RIGHT SIDE		
4	4550147-05	C2	CAPACITOR, ELECTROLYTIC, 100, 100, 35, 35/50V	1N4385	
6	4550147-11	C1	CAPACITOR, ELECTROLYTIC, 250, 750, 250/35V		
9	013-678	CR1	DIODE, POWER RECTIFIER		
12	041-631	R15, 16	RESISTOR, COMP, 15K, 1/4W, 10%		
13	041-636	R1	RESISTOR, COMP, 4.7K, 1/4W, 10%		
14	041-833	R5	RESISTOR, COMP, 750 OHM, 1W, 5%		
18	301-010		RETAINER, CAPACITOR MOUNTING		
21	473-330		SCREW, PAN HD, XREC, 6-32 X 1/4 LG		
22	492-009		NUT, PLAIN, NO. 6-32		
VERSION: 4050621-01					

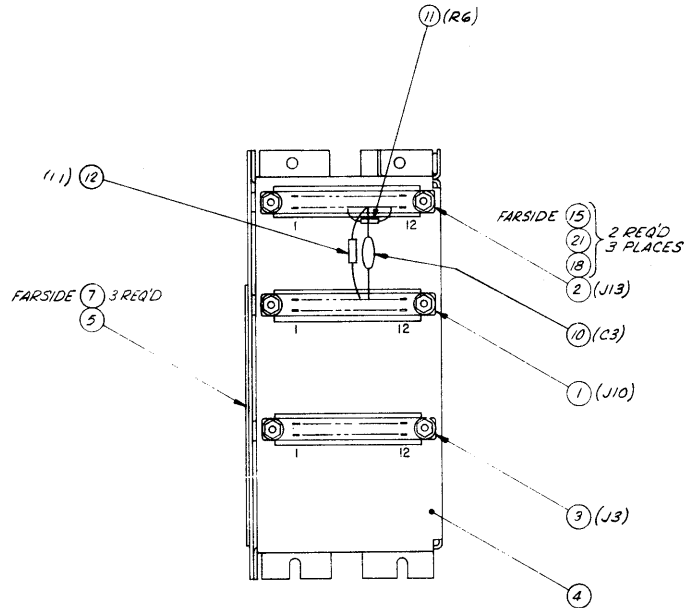
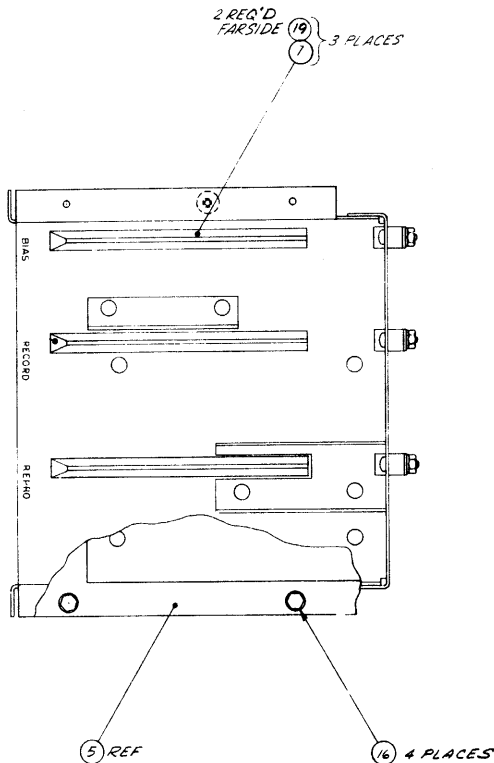


ITEM NO.	AMPEX PART NO.	REFERENCE NUMBER	DESCRIPTION	JEDEC NO. OR MFR. PART NO.
1	139-632	P1, 2	CONNECTOR, MOLEX	
2	167-019		PIN, MOLEX	
<p>VERSION: 4050632-01</p>				

NEXT HIGHER ASSEMBLY NO. 4020337

ITEM NO.	AMPEX PART NO.	REFERENCE NUMBER	DESCRIPTION	JEDEC NO. OR MFR. PART NO.
1	4030269-01	J10	CONNECTOR ASSY, 12 CONTACT	
2	4030269-02	J13	CONNECTOR ASSY, 12 CONTACT	
3	4030269-03	J3	CONNECTOR ASSY, 12 CONTACT	
4	4041189-01		ENCLOSURE, MODULE ASSY	
5	4041190-01		ENCLOSURE, SHIELD ASSY	
7	4230133-02		GUIDE, PWB	
10	034-358	C3	CAPACITOR, MICA, 220 PF, 5%	
11	041-633	R6	RESISTOR, COMP, 10K, 1/4W	
12	051-342	L1	CHOKE, 5 MH	
15	471-064		SCREW, PAN HD, NO. 4-40 X 1/2	
16	476-998		SCREW, HEX WASHER HD, NO. 6 X 1/4	
18	496-004		NUT, KEP, NO. 4-40	
19	498-445		NUT, SPRING, 0.125 DIA	
21	501-008		WASHER, FLAT, NO. 4	

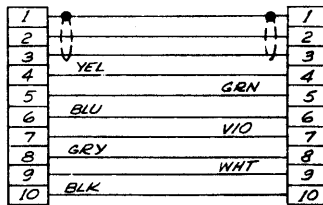
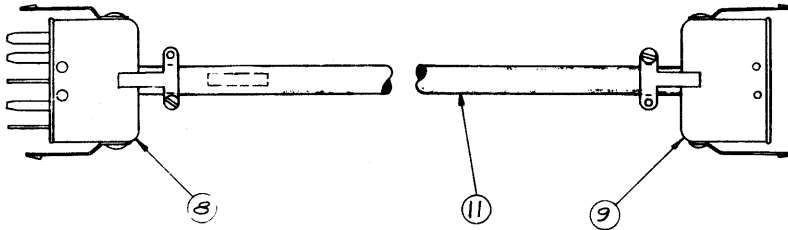
VERSION: 4050639-01



NEXT HIGHER ASSEMBLY NO. 4010202,  
4010203, 4010204

ITEM NO.	AMPEX PART NO.	REFERENCE NUMBER	DESCRIPTION	JEDEC NO. OR MFR. PART NO.
8	145-020		CONNECTOR, RECT, RECP, 10 CONTACTS	
9	144-058		CONNECTOR, RECT, PLUG, 10 CONTACTS	
11	616-400		CABLE, SHIELDED (GRAY), 2 COND, NO. 22 GA, BLK/WHT	

VERSION: 4050442-01



SCHMATIC DIAGRAM