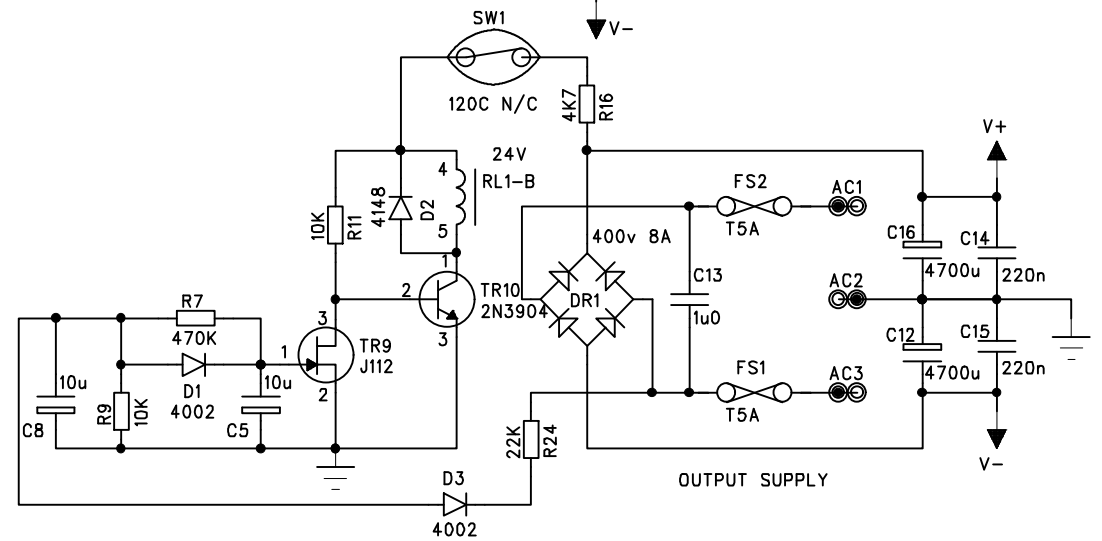


FOR 150 OUTPUT BOARD  
DO NOT FIT - TR3, TR17, R4 & R23

ISSUE 2 - POSITION OF SW1 CHANGED, LS1 ADDED IN PLACE OF 2 X JACK SOCKETS  
ISSUE 1 - R9 CHANGED TO 10K, R24 CHANGED TO 22K

TITLE 150/250 WATT OUTPUT STAGE  
PROJECT ELECTRIC BLUE & MAG AMPLIFIERS  
DRAWING No: ACD041  
ISSUE 1  
DATE 16/04/03  
DRAWN BY CLIVE BUTTON

**ASHDOWN LTD**  
PARK FARM, INWORTH  
COLCHESTER, CO5 9SH  
ENGLAND  
TEL (01376) 572872  
FAX (01376) 572972



OUTPUT SUPPLY