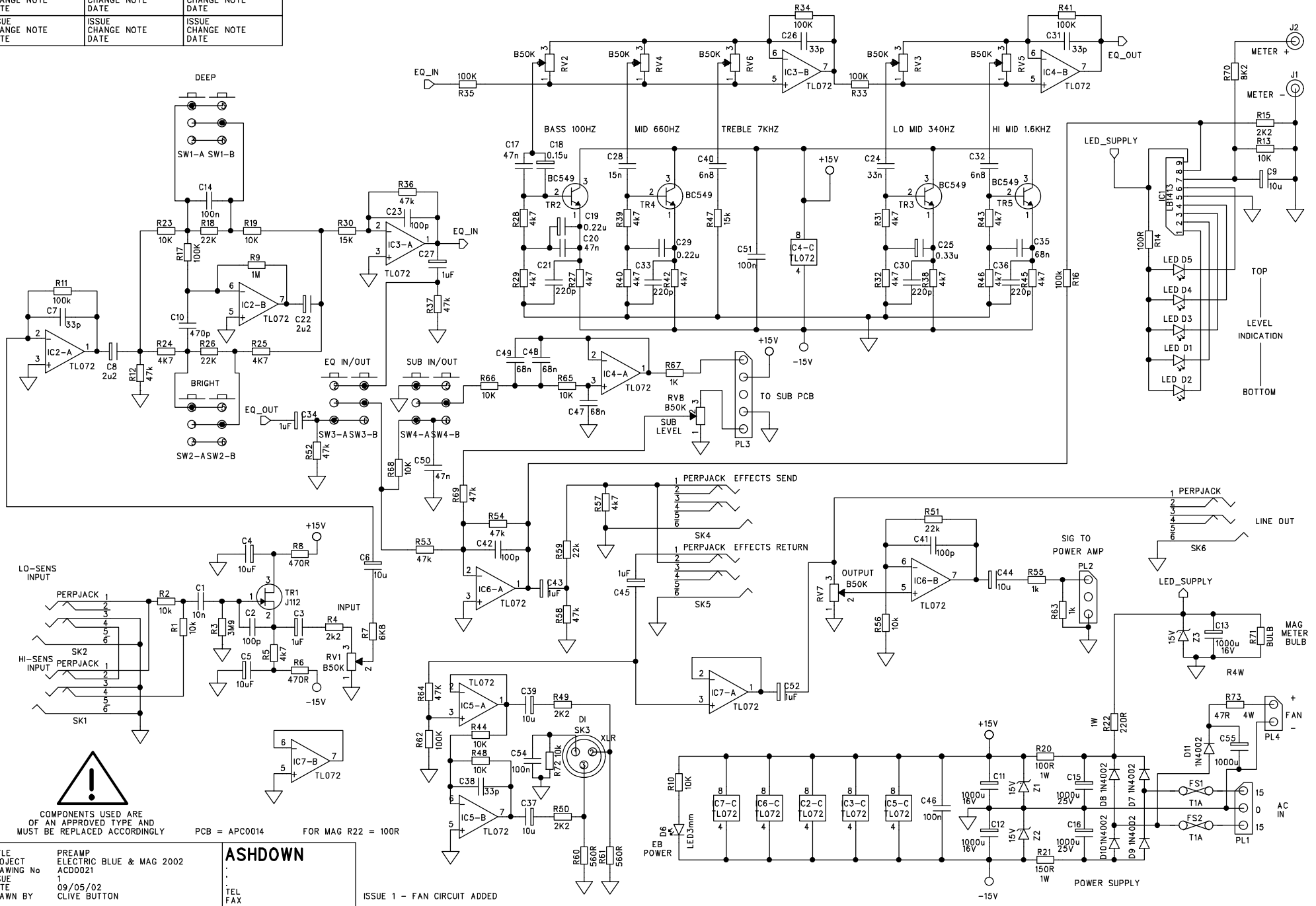


ISSUE CHANGE NOTE DATE	ISSUE CHANGE NOTE DATE	ISSUE CHANGE NOTE DATE
ISSUE CHANGE NOTE DATE	ISSUE CHANGE NOTE DATE	ISSUE CHANGE NOTE DATE



COMPONENTS USED ARE OF AN APPROVED TYPE AND MUST BE REPLACED ACCORDINGLY

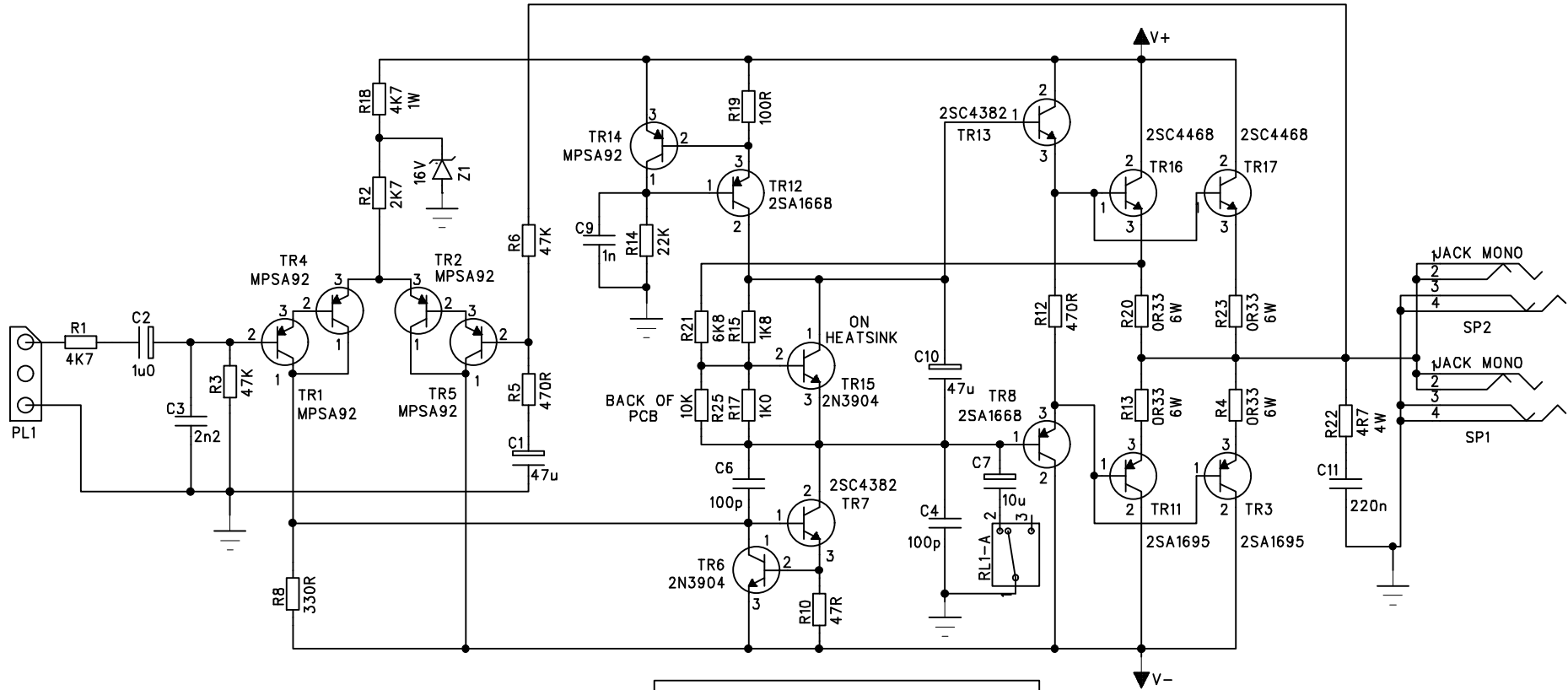
PCB = APC0014

FOR MAG R22 = 100R

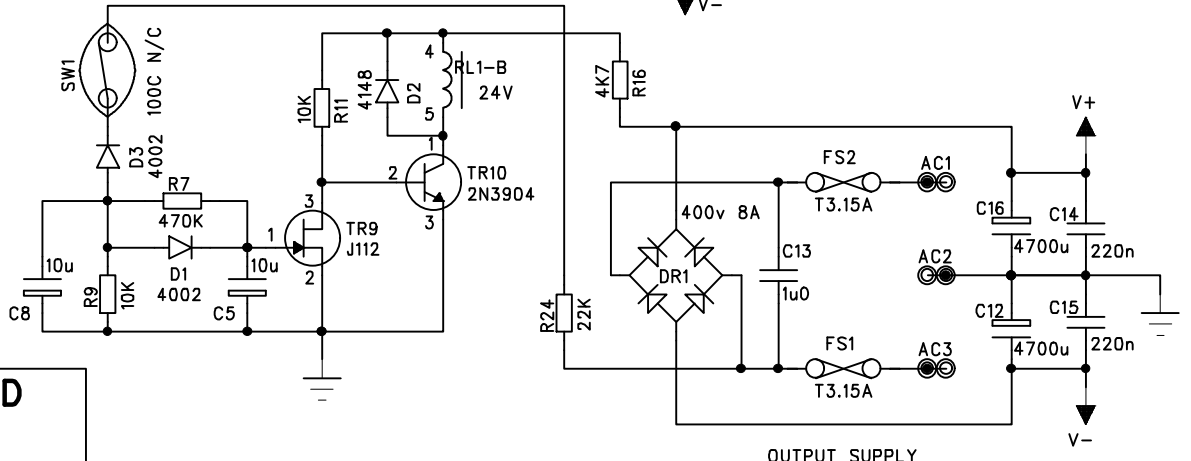
TITLE PROJECT PREAMP
 DRAWING No. ELECTRIC BLUE & MAG 2002
 ISSUE AC00021
 DATE 09/05/02
 DRAWN BY CLIVE BUTTON

ASHDOWN
 . . .
 TEL
 FAX

ISSUE 1 - FAN CIRCUIT ADDED



FOR 150 OUTPUT BOARD
DO NOT FIT - TR3, TR17, R4 & R23

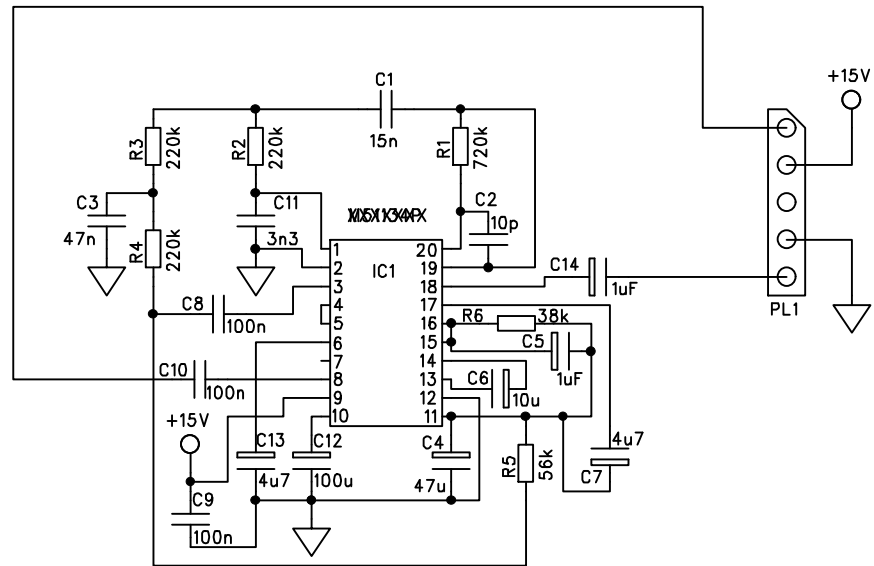


ISSUE 1 - R9 CHANGED TO 10K, R24 CHANGED TO 22K

TITLE 150/250 WATT OUTPUT STAGE
PROJECT ELECTRIC BLUE & MAG AMPLIFIERS
DRAWING No: ACD020
ISSUE 1
DATE 21/05/02
DRAWN BY CLIVE BUTTON

ASHDOWN LTD
PARK FARM, INWORTH
COLCHESTER, CO5 9SH
ENGLAND
TEL (01376) 572872
FAX (01376) 572972

ISSUE CHANGE NOTE DATE	ISSUE CHANGE NOTE DATE	ISSUE CHANGE NOTE DATE
ISSUE CHANGE NOTE DATE	ISSUE CHANGE NOTE DATE	ISSUE CHANGE NOTE DATE



TITLE BASS EMPHASIS SUB PCB
 PROJECT ASHDOWN BASS AMPS
 DRAWING No ACD022
 ISSUE A
 DATE 4/9/01
 DRAWN BY CLIVE BUTTON

ASHDOWN LTD

.
 .
 .
 .
 .