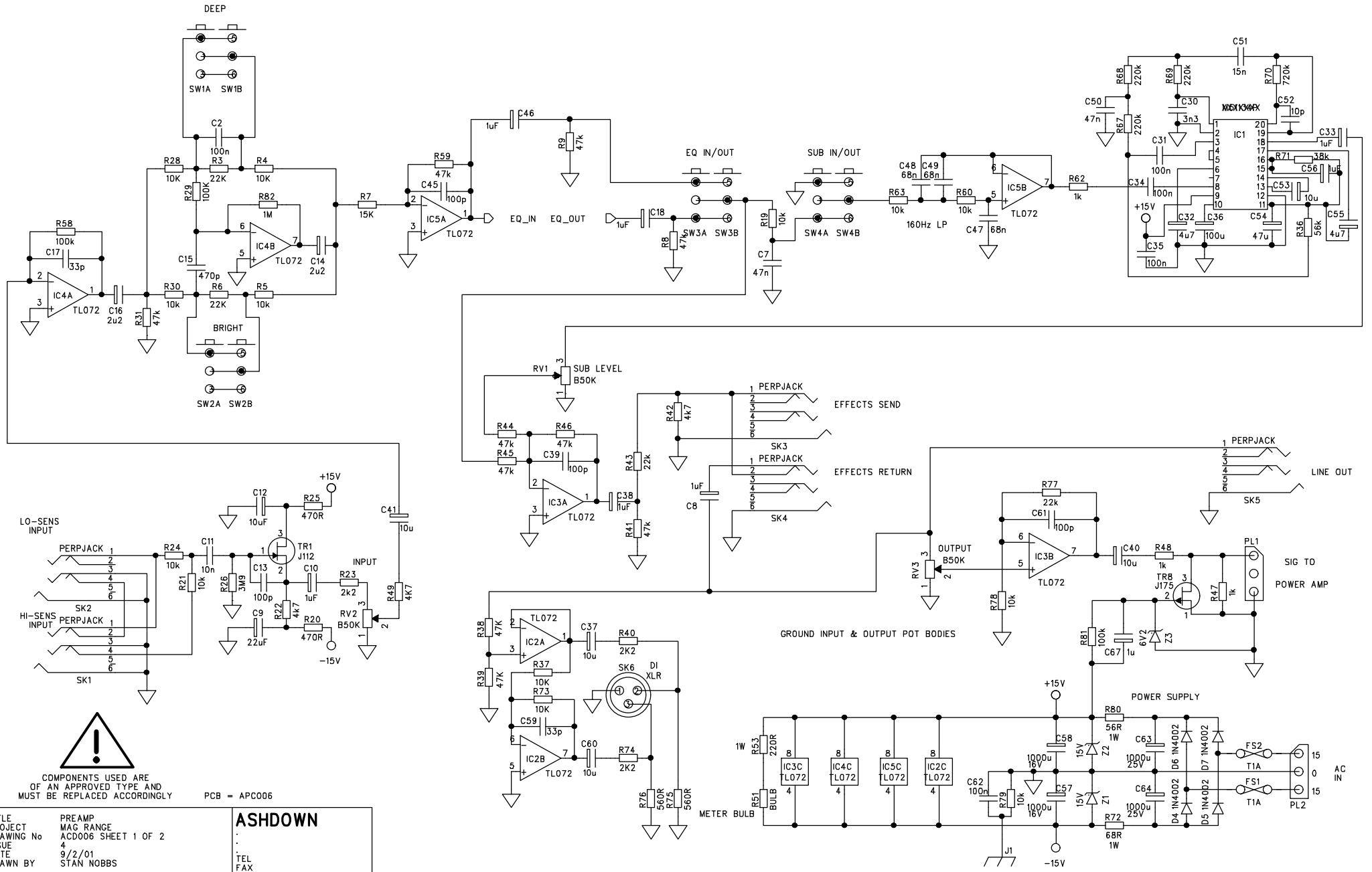


ISSUE CHANGE NOTE DATE	ISSUE CHANGE NOTE DATE	ISSUE CHANGE NOTE DATE
ISSUE CHANGE NOTE DATE	ISSUE CHANGE NOTE DATE	ISSUE CHANGE NOTE DATE

ISSUE 4 - R49 CHANGED FROM 10K TO 4K7 TO INCREASE INPUT SENSITIVITY

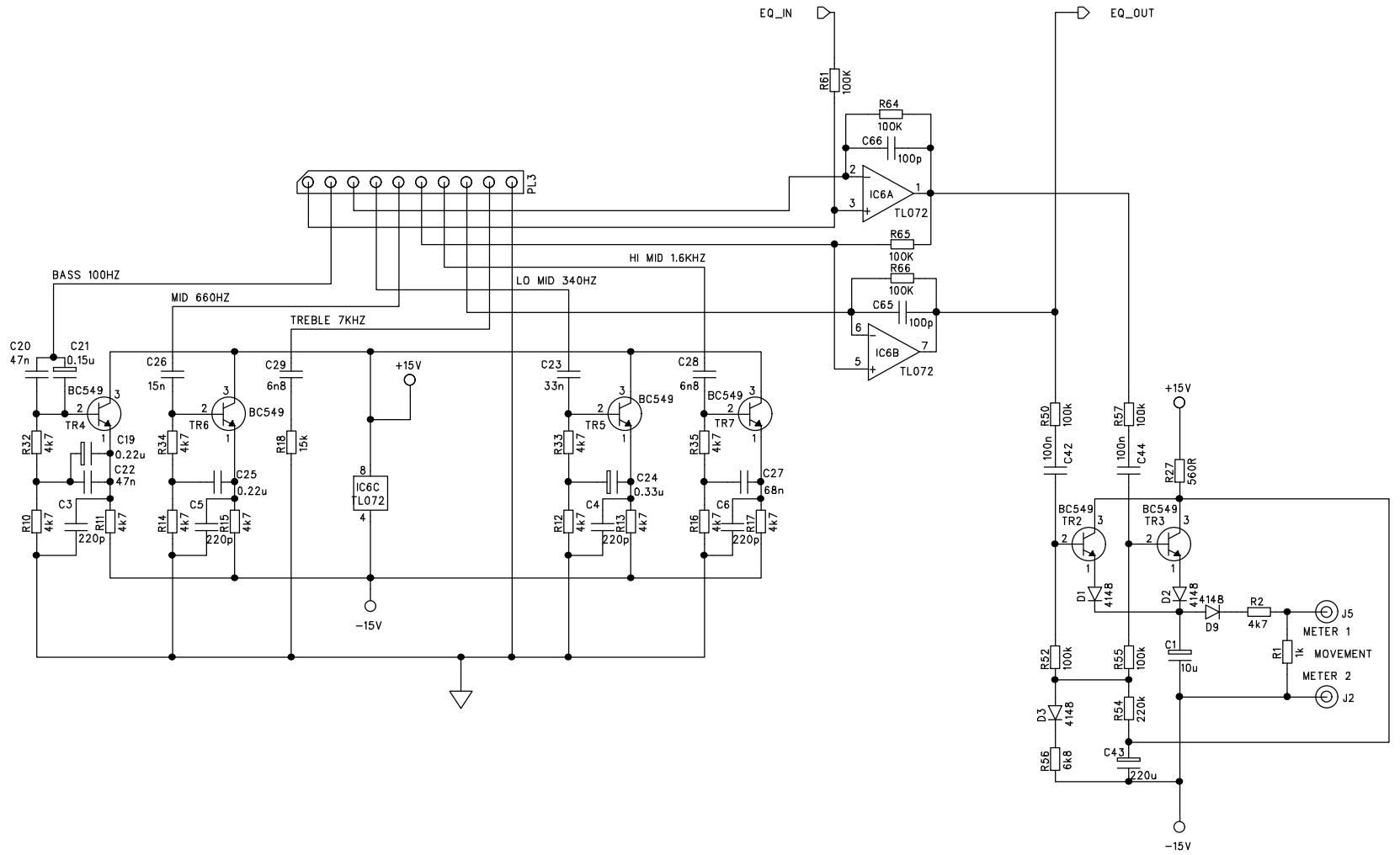


COMPONENTS USED ARE OF AN APPROVED TYPE AND MUST BE REPLACED ACCORDINGLY

PCB = APC006

TITLE	PREAMP	ASHDOWN
PROJECT	MAG RANGE	
DRAWING No	ACD006 SHEET 1 OF 2	
ISSUE	4	
DATE	9/2/01	
DRAWN BY	STAN NOBBS	TEL FAX

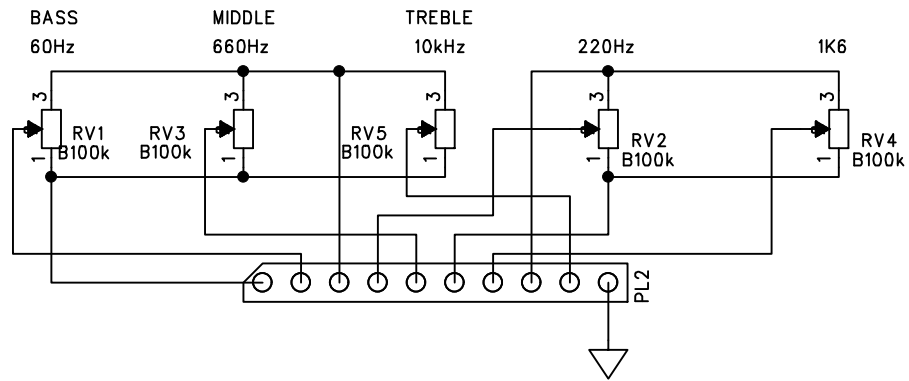
ISSUE CHANGE NOTE DATE	ISSUE CHANGE NOTE DATE	ISSUE CHANGE NOTE DATE
ISSUE CHANGE NOTE DATE	ISSUE CHANGE NOTE DATE	ISSUE CHANGE NOTE DATE



COMPONENTS USED ARE OF AN APPROVED TYPE AND MUST BE REPLACED ACCORDINGLY

TITLE	TONE CIRCUIT & LEVEL INDICATION	ASHDOWN
PROJECT	MAG RANGE	
DRAWING No	ACD006 SHEET 2 OF 2	
ISSUE	4	
DATE	9/2/01	
DRAWN BY	STAN NOBBS	ENGLAND TEL FAX

ISSUE CHANGE NOTE DATE	ISSUE CHANGE NOTE DATE	ISSUE CHANGE NOTE DATE
ISSUE CHANGE NOTE DATE	ISSUE CHANGE NOTE DATE	ISSUE CHANGE NOTE DATE



COMPONENTS USED ARE
OF AN APPROVED TYPE AND
MUST BE REPLACED ACCORDINGLY

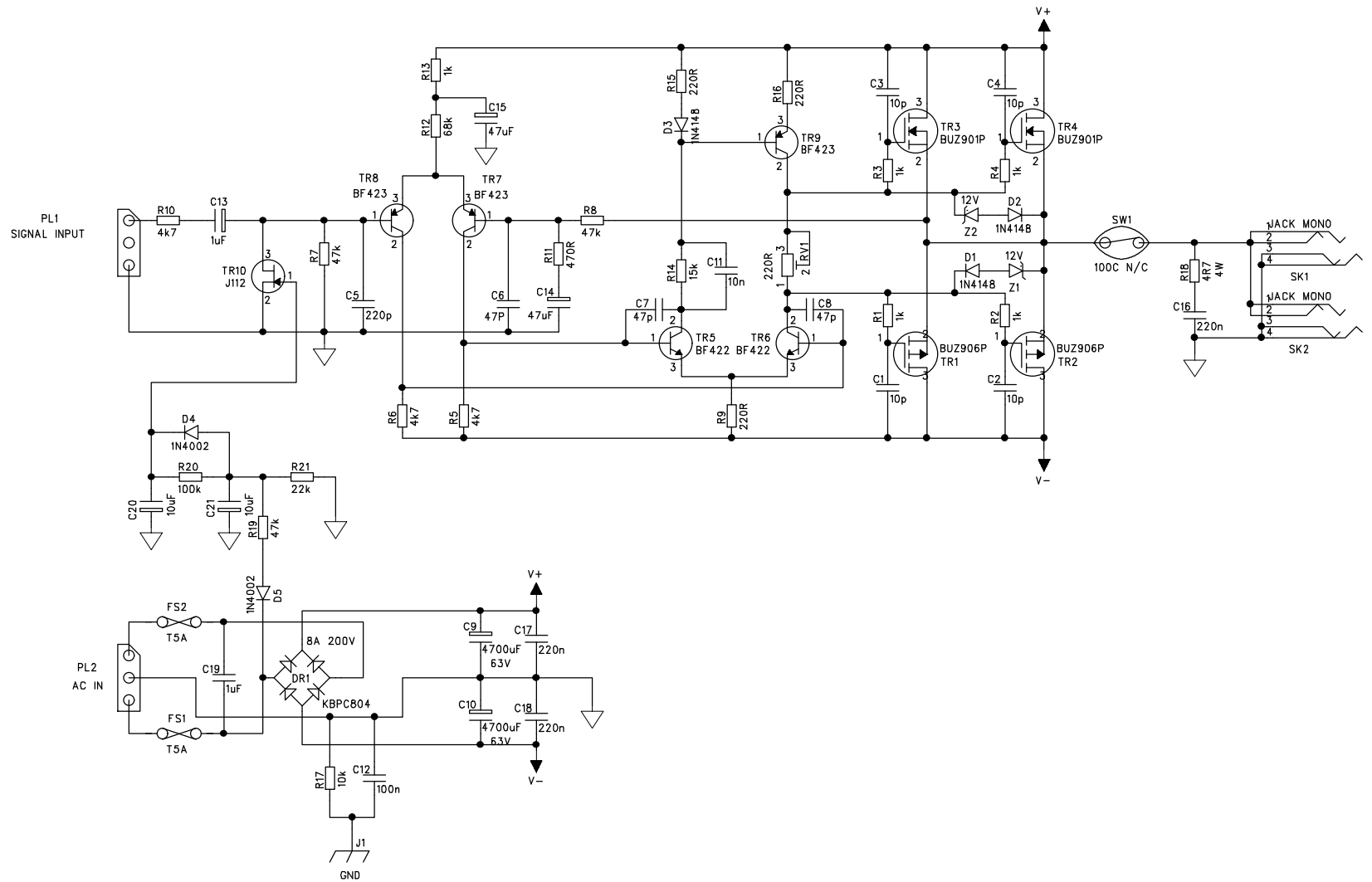
PCB = APC007

TITLE TONE CONTROL POTS
PROJECT ASHDOWN MAG RANGE
DRAWING No ACD007
ISSUE 1
DATE 23/11/98
DRAWN BY STAN NOBBS

ASHDOWN

TEL (01245) 477010
FAX (01245) 477020

ISSUE CHANGE NOTE DATE	ISSUE CHANGE NOTE DATE	ISSUE CHANGE NOTE DATE
ISSUE CHANGE NOTE DATE	ISSUE CHANGE NOTE DATE	ISSUE CHANGE NOTE DATE



PCB = APC008

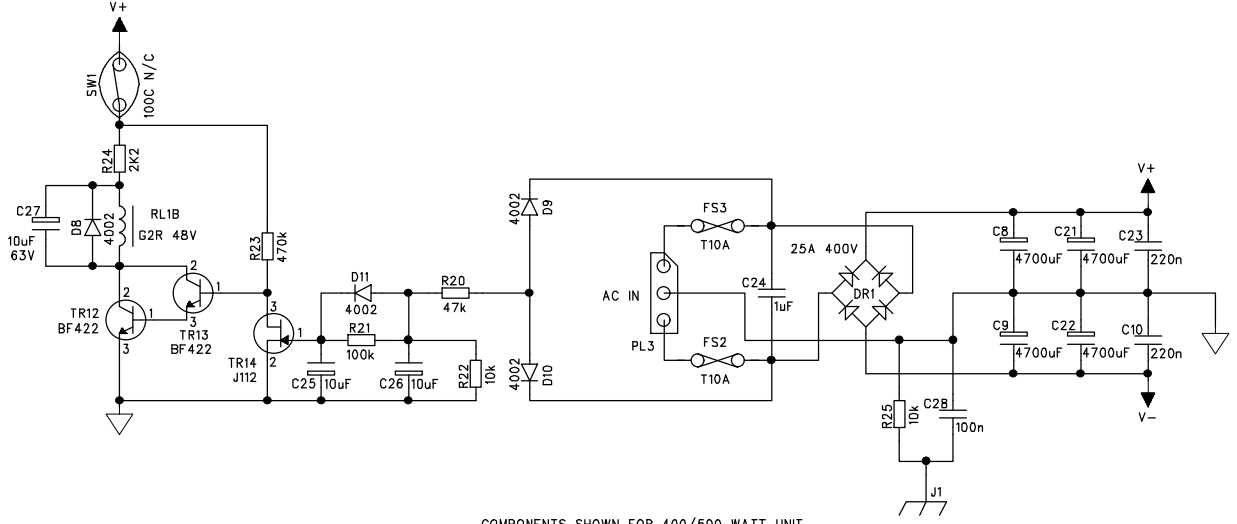
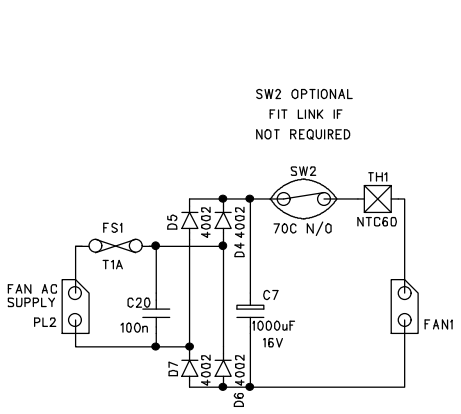
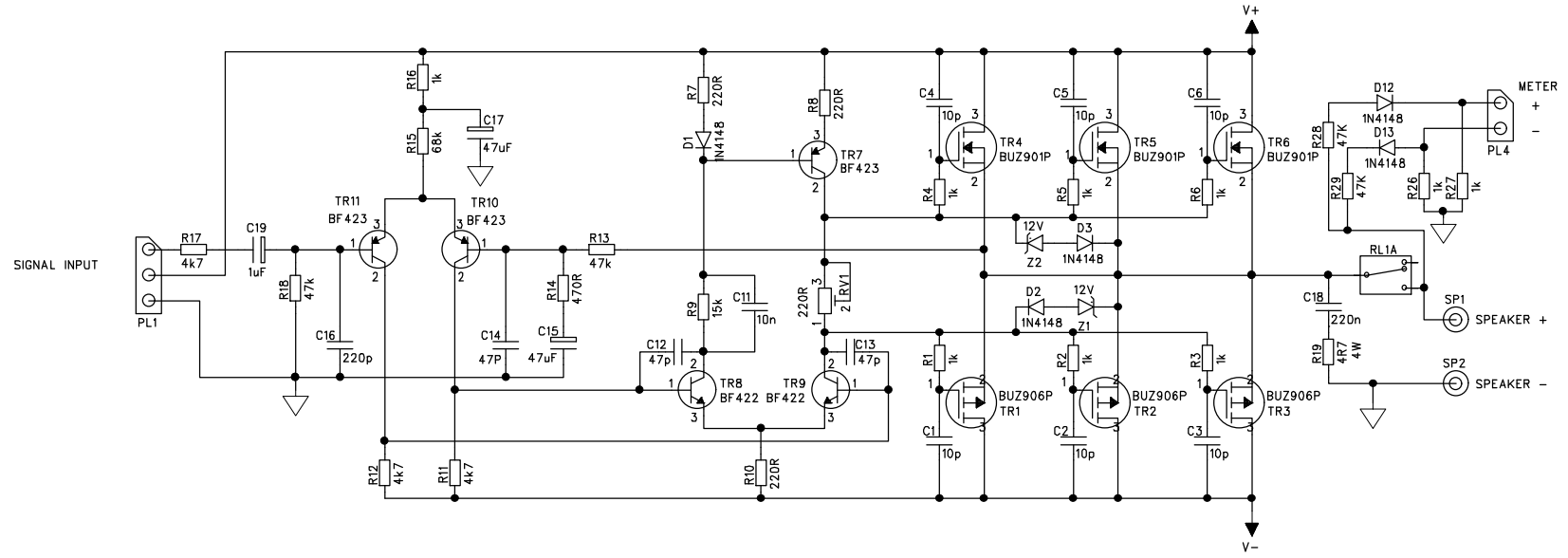
TITLE 200 WATT OUTPUT STAGE
 PROJECT MAG RANGE
 DRAWING No AC0008
 ISSUE 4
 DATE 25/8/00
 DRAWN BY STAN NOBBS

ASHDOWN
 ENGLAND
 TEL
 FAX



COMPONENTS USED ARE OF AN APPROVED TYPE AND MUST BE REPLACED ACCORDINGLY

ISSUE CHANGE NOTE DATE	ISSUE CHANGE NOTE DATE	ISSUE CHANGE NOTE DATE
ISSUE CHANGE NOTE DATE	ISSUE CHANGE NOTE DATE	ISSUE CHANGE NOTE DATE



COMPONENTS SHOWN FOR 400/500 WATT UNIT
FOR 300 WATT UNIT LEAVE OFF:- TR3,TR6,C21,C22



COMPONENTS USED ARE OF AN APPROVED TYPE AND MUST BE REPLACED ACCORDINGLY

PCB = APC001	TITLE PROJECT DRAWING No ISSUE DATE DRAWN BY	ABM OUTPUT BOARD BASS MAGNIFIER ACD001 3 4/10/99 CLIVE BUTTON	ASHDOWN ENGLAND TEL FAX
--------------	---	--	---