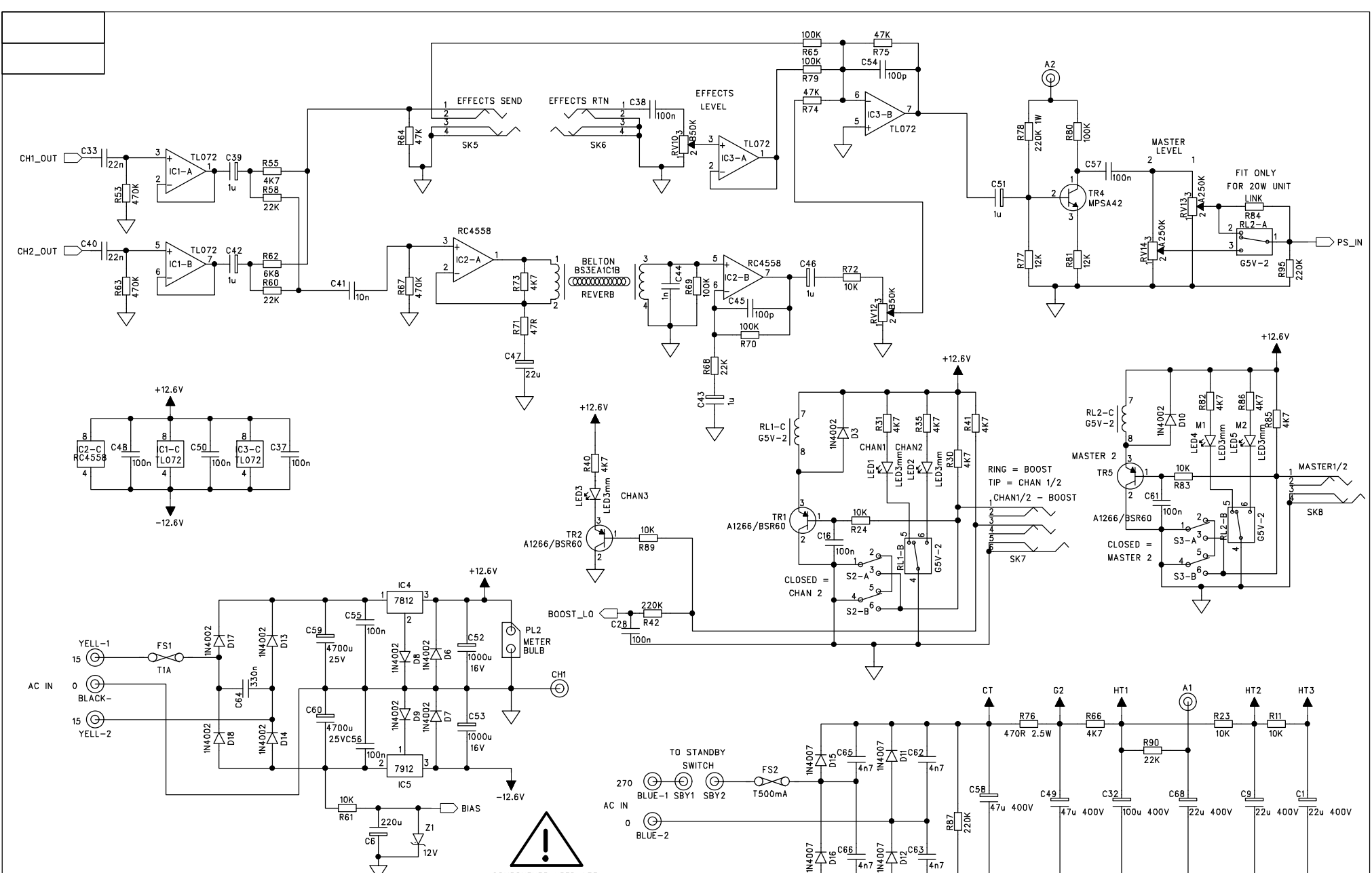


SHEET 1 OF 2 PCB = APC036

TITLE VALVE SECTIONS & SUPPLIES
 PROJECT FALLEN ANGEL 60 WATT GUITAR AMP
 DRAWING No ACD036
 ISSUE 2
 DATE 29/06/03
 DRAWN BY CLIVE BUTTON

ASHDOWN LTD
 PARK FARM, INWORTH
 COLCHESTER, ESSEX, CO5 9SH
 ENGLAND
 TEL (01376) 572872
 FAX (01376) 572972


 COMPONENTS USED ARE
 OF AN APPROVED TYPE AND
 MUST BE REPLACED ACCORDINGLY



SHEET 2 OF 2 PCB = APC035

!
COMPONENTS USED ARE
OF AN APPROVED TYPE AND
MUST BE REPLACED ACCORDINGLY

TITLE	SUPPLIES, REVERB & EFFECTS	ASHDOWN LTD PARK FARM, INWORTH COLCHESTER, ESSEX, CO5 95H ENGLAND TEL (01376) 572872 FAX (01376) 572972
PROJECT	20/40W HM GUITAR AMP	
DRAWING No	ACD035	
ISSUE	2	
DATE	20/06/03	
DRAWN BY	CLIVE BUTTON	

ISSUE 2 - C32 CHANGED TO 100uF (was 47uF) R53 R63 R67 CHANGED TO 470K (was 100K)