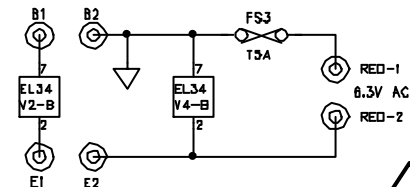
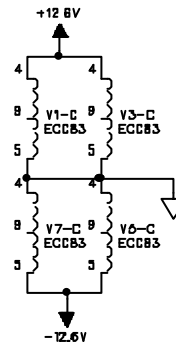


SHEET 1 OF 2 PCB - APC018

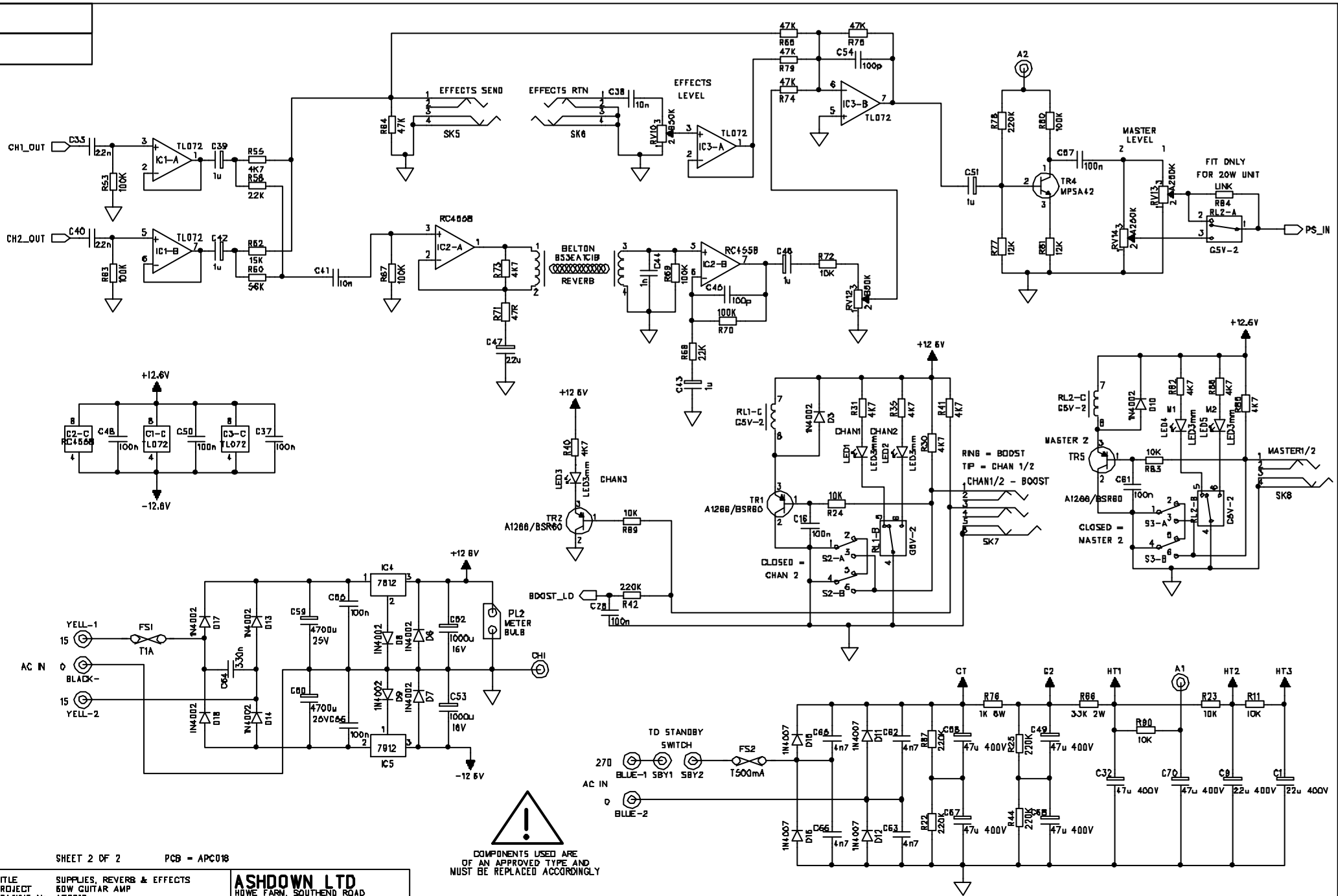
TITLE VALVE SECTIONS & SUPPLIES  
 PROJECT 60 WATT GUITAR AMP  
 DRAWING No AC0018  
 ISSUE 2  
 DATE 05/02/02  
 DRAWN BY CLIVE BUTTON

**ASHDOWN LTD**  
 HOWE FARM, SOUTHEND ROAD  
 CHELMSFORD, ESSEX, CM2 7TE  
 ENGLAND  
 TEL (01245) 477010  
 FAX (01245) 477020

ISSUE 1b - R61 & R47 VALUE CHANGED TO 300R  
 ISSUE 2 - C8, C26, C27 CHANGED TO 470pF  
 C12, C35 CHANGED TO 47nF  
 RV4, RV9 CHANGED TO A200K  
 R12 CHANGED TO 1M



**!**  
 COMPONENTS USED ARE  
 OF AN APPROVED TYPE AND  
 MUST BE REPLACED ACCORDINGLY



  
 COMPONENTS USED ARE  
 OF AN APPROVED TYPE AND  
 MUST BE REPLACED ACCORDINGLY

ISSUE 1a - C70 VALUE CHANGE TO 47uF ON SCHEMATIC, R66 CHANGED TO 33K, R76 CHANGED TO 1K  
 ISSUE 1a - R66 VALUE CHANGE TO 22K (WAS 10K) R24, R83 & R89 CHANGED TO 10K

SHEET 2 OF 2      PCB - APC018

TITLE	SUPPLIES, REVERB & EFFECTS	<b>ASHDOWN LTD</b> HIVE FARM, SOUTHWEND ROAD CHELMSFORD, ESSEX, CM2 7TE ENGLAND TEL (01245) 477010 FAX (01245) 477020
PROJECT	60W GUITAR AMP	
DRAWING No	AC0018	
ISSUE	2	
DATE	05/02/02	
DRAWN BY	CLIVE BUTTON	