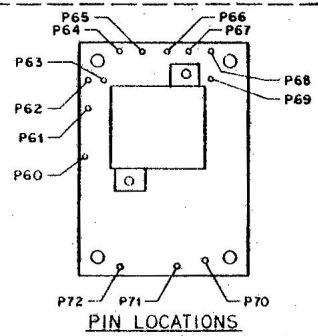
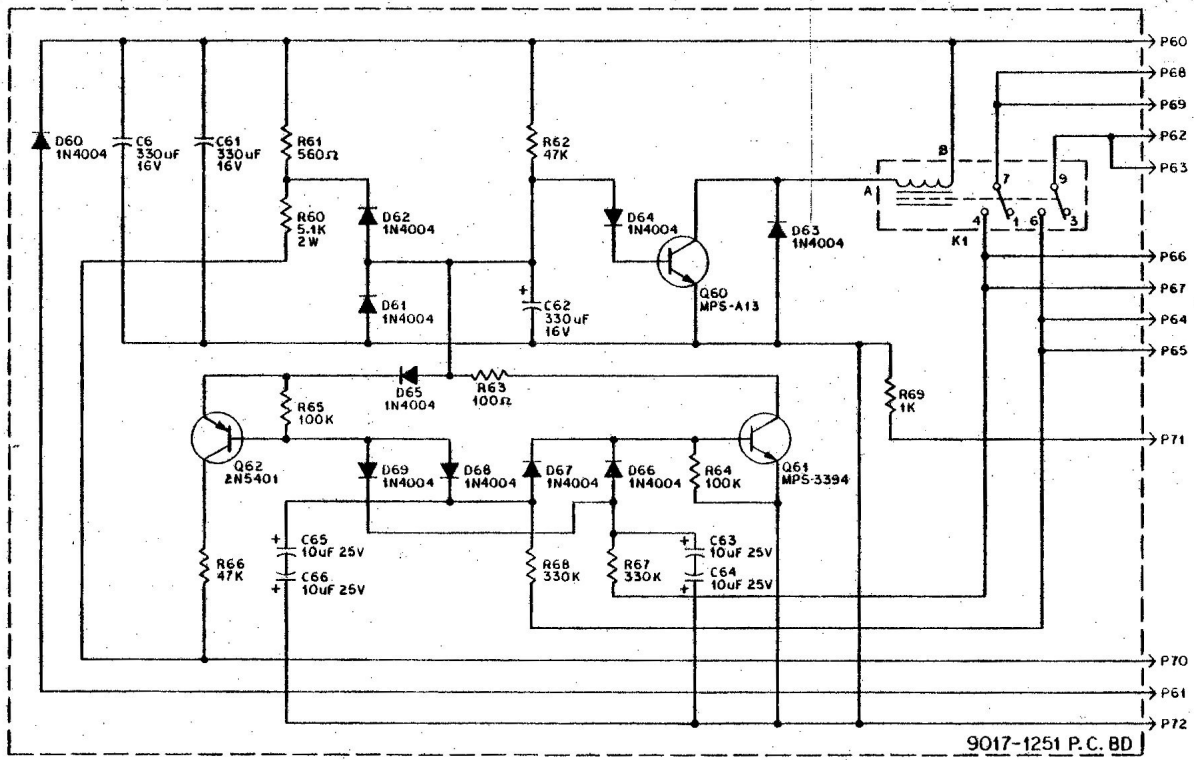


REVISIONS			
LTR	DESCRIPTION	DATE	APPROVED



1 - ALL RESISTORS ±5%, 1/2W, EXCEPT AS SHOWN.
 NOTES: UNLESS OTHERWISE SPECIFIED.

DO NOT SCALE DRAWING

UNLESS OTHERWISE SPECIFIED
 DIMENSIONING AND TOLERANCING PER USAS1 Y14.1.
 DIMENSIONS ARE IN INCHES AND APPLY AFTER PLATING.
 TOLERANCE ON DECIMALS:
 .XX = ± .03 .XXX = ± .010
 TOLERANCE ON ANGLES = ± 0° 30'
 BREAK SHARP EDGES AND MAX. SURFACE ROUGHNESS 12.5

DRAWN	MSR	10-24-78
CHECK	MSR	10-24-78
PROJECT ENGR	MSR	10-24-78

TITLE
SCHEMATIC, RELAY BOARD, POWER AMPLIFIER

SIZE	D	DRAWING NUMBER	MFRM-08302	REV	—
SCALE		SHEET		OF	

FORM MFRM-08302

BSI SYSTEMS
 BSW SYSTEMS
 13130 SOUTH YUKON AVE.
 HAWTHORNE, CA 90250
 (213) 873-8050