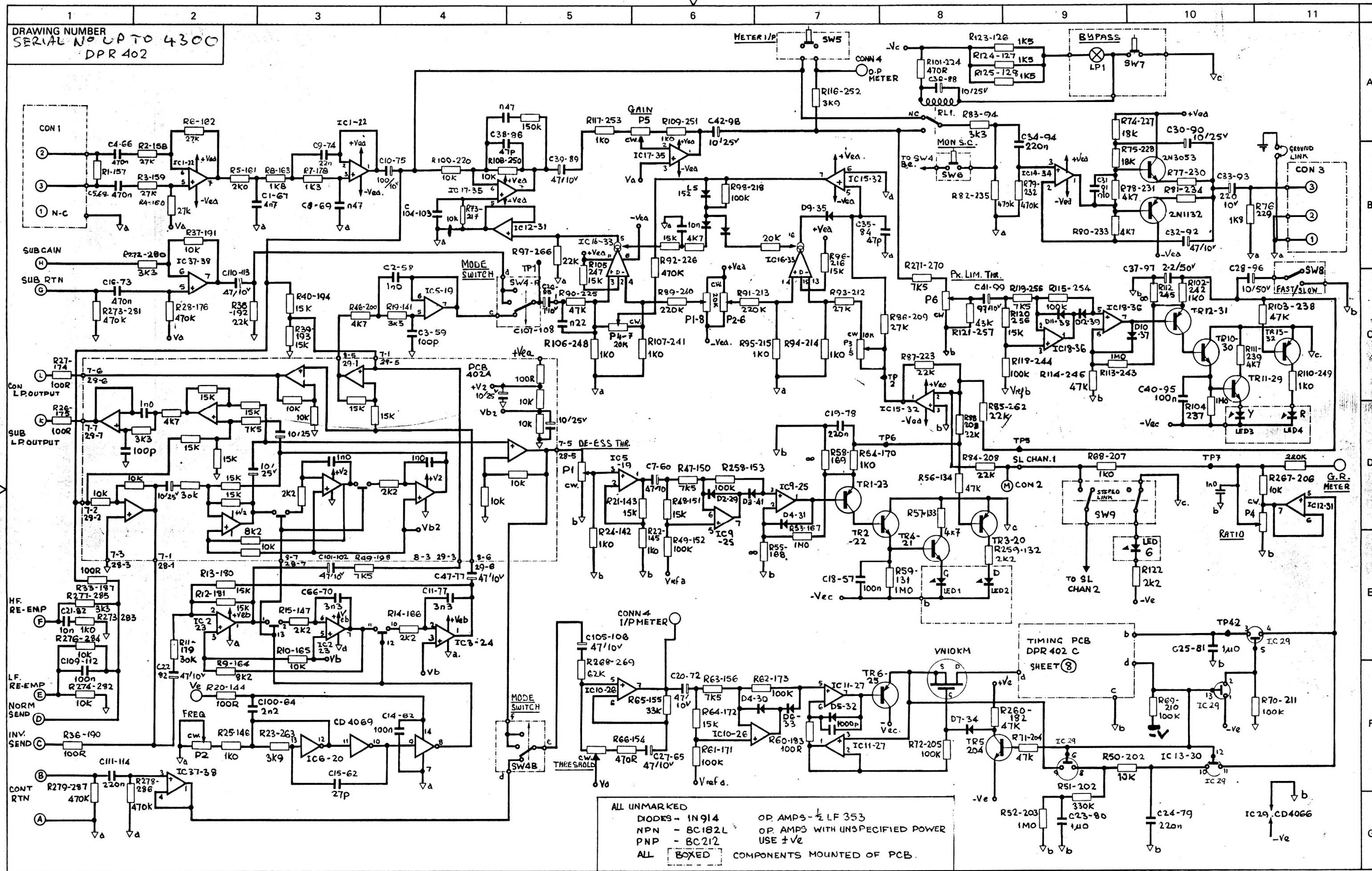


DRAWING NUMBER  
SERIAL No UP TO 4300  
DPR 402



ALL UNMARKED  
DIODES - IN914  
NPN - BC182L  
PNP - BC212  
ALL BOXED COMPONENTS MOUNTED OFF PCB.

OP. AMPS - 1/2 LF 353  
OP. AMPS WITH UNSPECIFIED POWER  
USE ±V<sub>EE</sub>

2	SEPT 24				
ISSUE	DATE	MOD No.	ISSUE	DATE	MOD No.

MATERIAL	
FINISH	
DIMENSIONS IN	

TOLERANCES - UNLESS STATED  
UNIT ± 0  
0 ± 0  
00 ± 0  
000 ± 0

NOTES  
CHANNEL 1 SHOWN  
CHANNEL 2 IDENTICAL

SCALE	© COPYRIGHT	Telephone 01-444 7892.
	<b>BSS</b> BROOKE SIREN SYSTEMS	SYDNEY ROAD MUSWELL HILL LONDON N10
TITLE	COMPRESSOR PEAK LIMITER DE-ESSER DPR 402	DRAWING NUMBER
		DPR 402
DRAWN BY	DATE	ISS.
Bobbie	25/10/84	