

DRAWING NUMBER ISSUE

S-B9088CS-06

**BSS**  
 HAPMAN INTERNATIONAL  
 INDUSTRIES LIMITED  
 CRANBORNE HOUSE  
 CRANBORNE ROAD  
 POTTERS BAR  
 HERTS  
 EN6 3JH  
 BSS Audio Tel 01707 680687  
 Fax 01707 680755

TITLE: MIC INPUT BOARD

FILENAME: S-B9088CS-06.SCH

DRAWN BY: BV/AW/PST

DATE: 25/02/99

CHECKED:

LAYERS: SHEET 1 OF 5

ISSUE DETAILS  
 1. PRODUCTION RELEASE 12/01/98  
 2. ECN0081 23-03-98  
 3. ECN0138 25/02/99  
 ECN0220 21/09/99  
 4. ECN0316 27/04/00  
 5. ECN0495 16/06/01  
 6. ECN0580 09/04/02

DIMENSIONS:

MATERIALS:

FINISH:

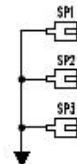
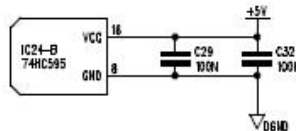
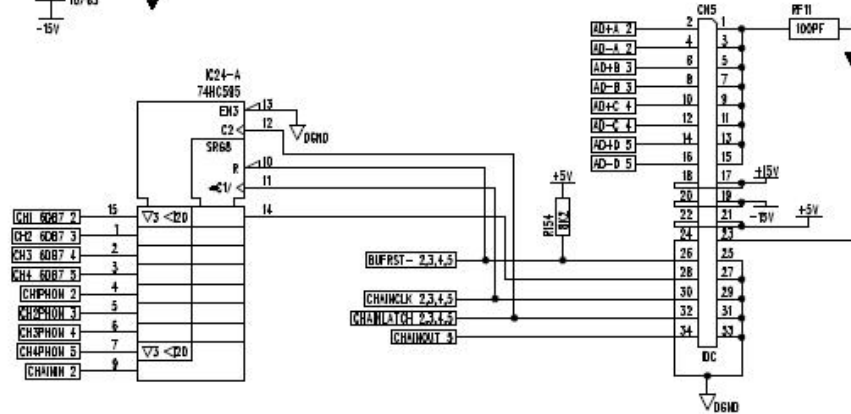
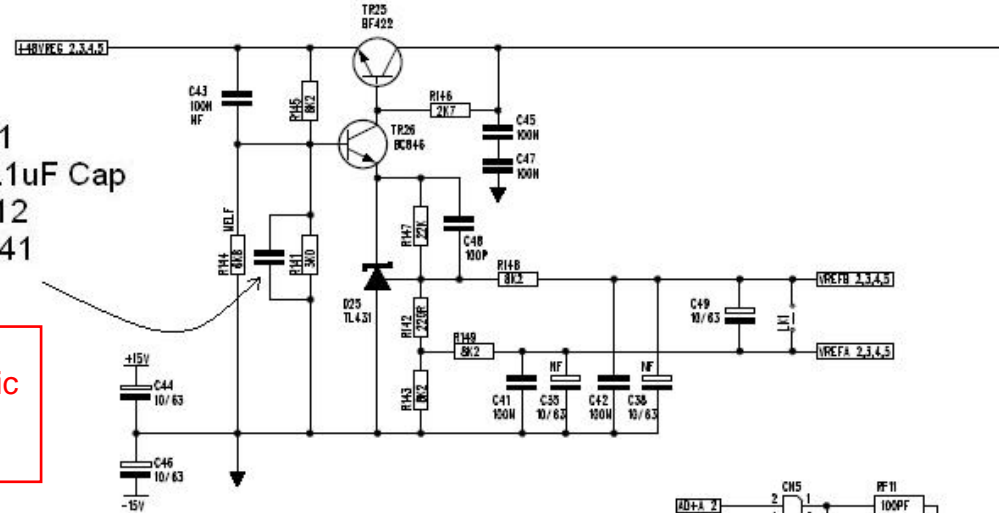
ARTWORK:

NOTES

THIS DRAWING IS THE COPYRIGHT OF BSS Audio Ltd. ALL REPRODUCTION  
 AND COPYING, OTHER THAN THAT FOR LICENSED MANUFACTURERS ONLY  
 INTERNAL USE, OR DISCLOSURE OF PART OR WHOLE TO A THIRD PARTY  
 WITHOUT PRIOR WRITTEN AUTHORIZATION IS IN VIOLATION OF THE  
 COPYRIGHT. © BSS Audio Ltd 1995

ECN 39091  
 Added a 0.1uF Cap  
 P/N 62-1312  
 Across R141

ECN 38649  
 No Schematic  
 Modification  
 Revision C2



DRAWING NUMBER

ISSUE

# S-B9088CS-06



HARMAN INTERNATIONAL  
INDUSTRIES LIMITED  
CRANBORNE HOUSE  
CRANBORNE ROAD  
POTTERS BAR  
HERTS  
EN6 3JN  
Tel 01707 660667  
Fax 01707 660755

BSS Audio

TITLE: MIC INPUT BOARD

FILENAME: S-B9088CS-06.SCH

DRAWN BY: BV/AW/PST

DATE: 25/02/99

CHECKED:

LAYERS: SHEET 2 OF 5

ISSUE DETAILS

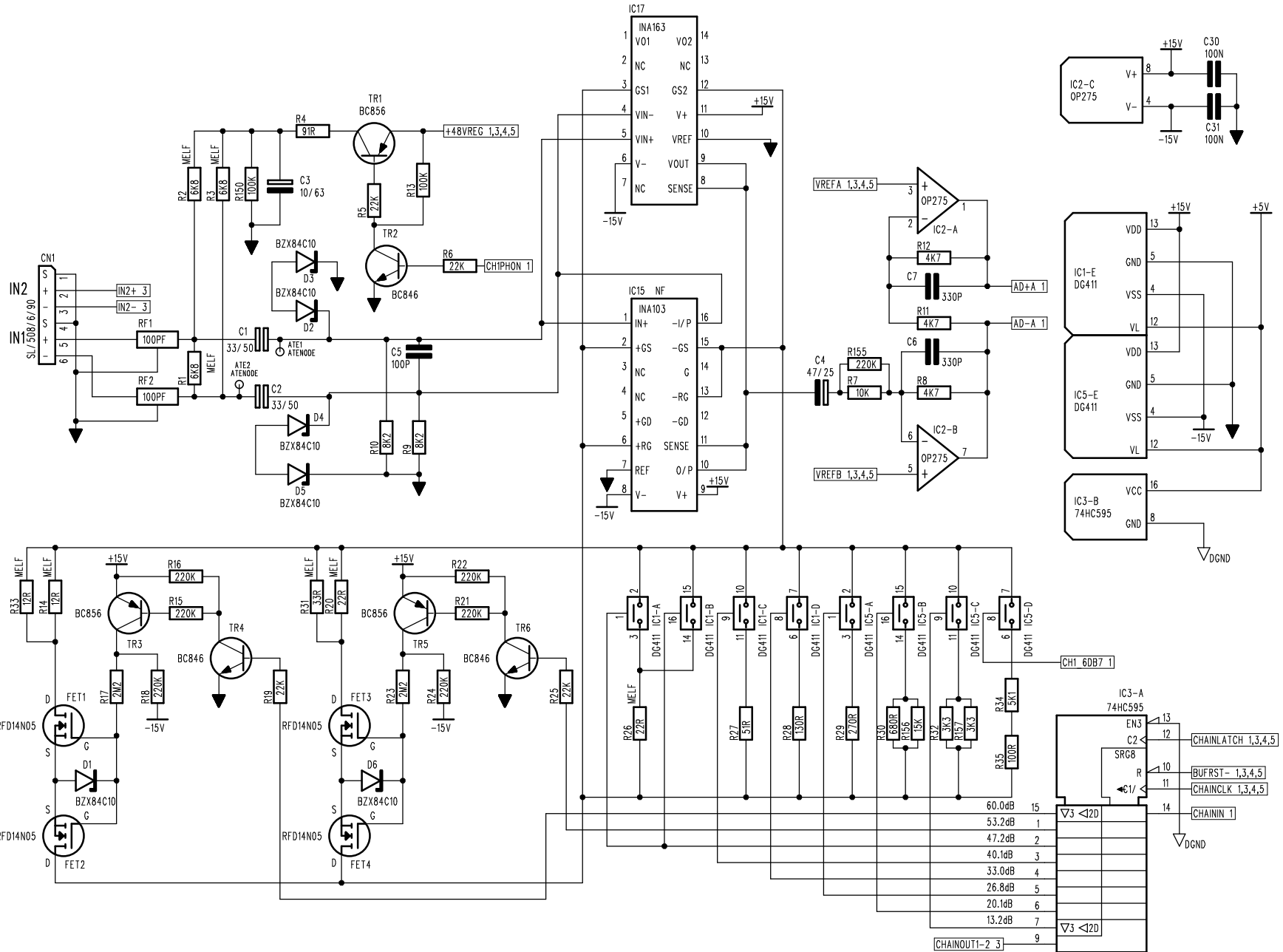
DIMENSIONS:

MATERIALS:

FINISH:

ARTWORK:

NOTES



DRAWING NUMBER

ISSUE

# S-B9088CS-06



HARMAN INTERNATIONAL  
INDUSTRIES LIMITED  
CRANBORNE HOUSE  
CRANBORNE ROAD  
POTTERS BAR  
HERTS  
EN6 3JN  
Tel 01707 660667  
Fax 01707 660755

TITLE: MIC INPUT BOARD

FILENAME: S-B9088CS-06.SCH

DRAWN BY: BV/AW/PST

DATE: 25/02/99

CHECKED:

LAYERS: SHEET 3 OF 5

ISSUE DETAILS

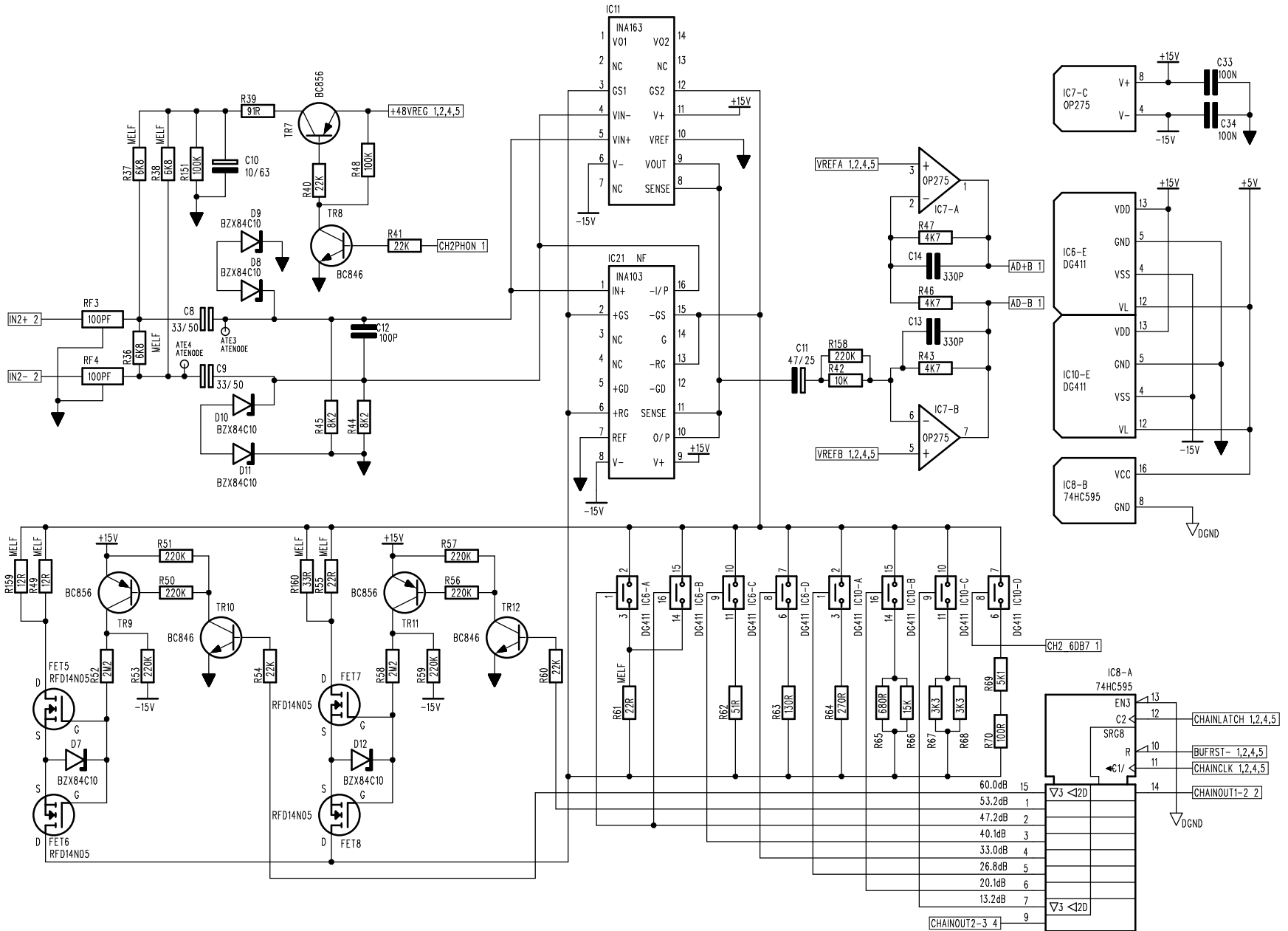
DIMENSIONS:

MATERIALS:

FINISH:

ARTWORK:

NOTES



DRAWING NUMBER

ISSUE

# S-B9088CS-06



HARMAN INTERNATIONAL  
INDUSTRIES LIMITED  
CRANBORNE HOUSE  
CRANBORNE ROAD  
POTTERS BAR  
HERTS  
EN6 3JN  
Tel 01707 660667  
Fax 01707 660755

BSS Audio

TITLE: MIC INPUT BOARD

FILENAME: S-B9088CS-06.SCH

DRAWN BY: BV/AW/PST

DATE: 25/02/99

CHECKED:

LAYERS: SHEET 4 OF 5

ISSUE DETAILS

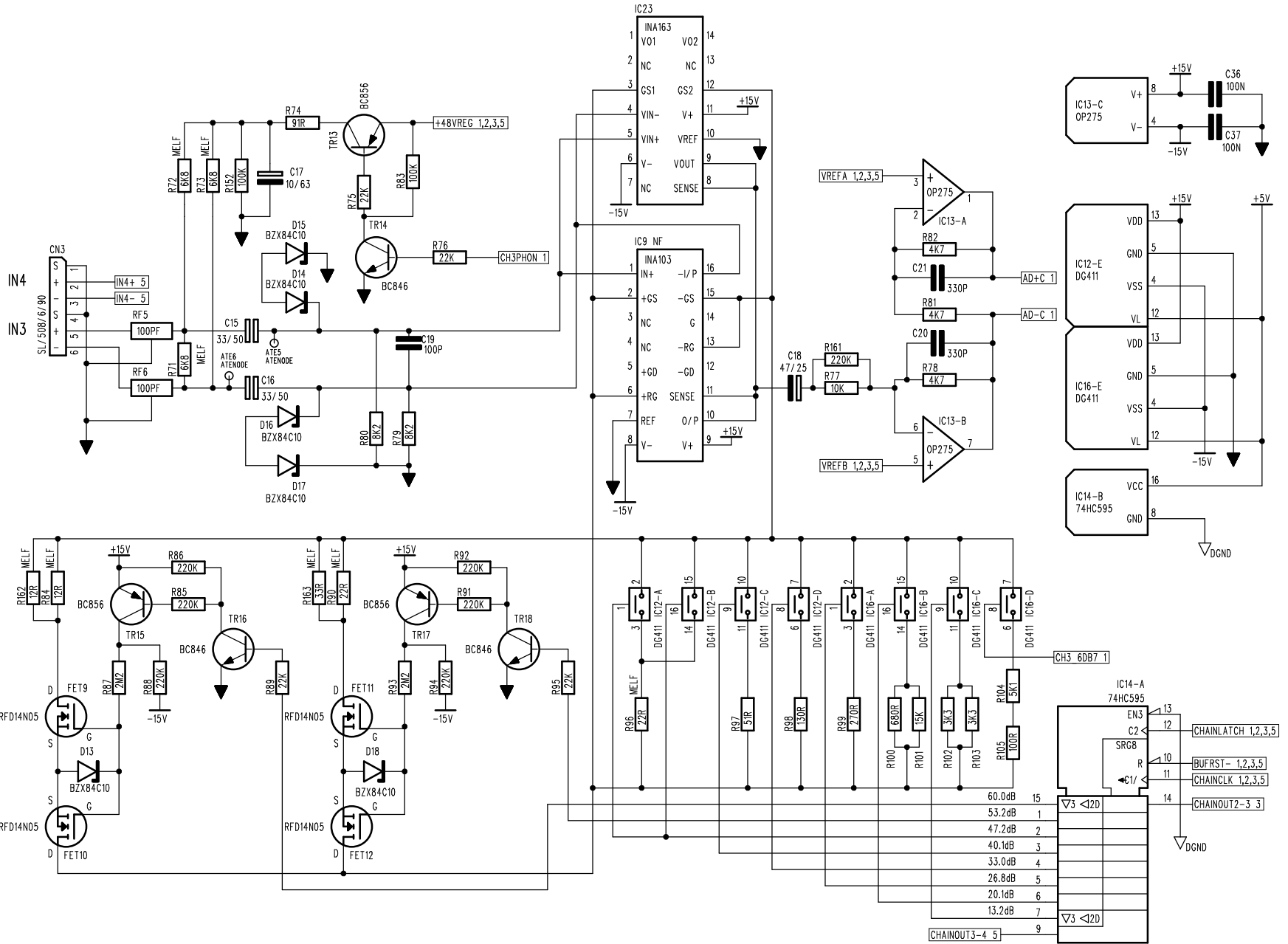
DIMENSIONS:

MATERIALS:

FINISH:

ARTWORK:

NOTES



THIS DRAWING IS THE COPYRIGHT OF BSS Audio Ltd. ALL REPRODUCTION AND COPYING, OTHER THAN THAT FOR LICENCED MANUFACTURES OWN INTERNAL USE, OR DISCLOSURE OF PART OR WHOLE TO A THIRD PARTY WITHOUT PRIOR WRITTEN AUTHORISATION IS IN VIOLATION OF THE COPYRIGHT. © BSS Audio Ltd 1995



| Qty | Reference | HMG#    | Description                                | Audit | Schematic Part | PCB Decal |
|-----|-----------|---------|--|-------|----------------|-----------|
| 1   | PCB1      | 80-1222 | S-B9088C-06P BSS Soundweb 9088 Mic Amp PCB | x     | S-B9088C-06P   | x         |
| 1   | R20       | 01-0303 | MELF RES 22R 1% 0.1W XAS0-0220             | x     | AD10023        | x         |
| 1   | R26       | 01-0303 | MELF RES 22R 1% 0.1W XAS0-0220             | x     | AD10023        | x         |
| 1   | R55       | 01-0303 | MELF RES 22R 1% 0.1W XAS0-0220             | x     | AD10023        | x         |
| 1   | R61       | 01-0303 | MELF RES 22R 1% 0.1W XAS0-0220             | x     | AD10023        | x         |
| 1   | R90       | 01-0303 | MELF RES 22R 1% 0.1W XAS0-0220             | x     | AD10023        | x         |
| 1   | R96       | 01-0303 | MELF RES 22R 1% 0.1W XAS0-0220             | x     | AD10023        | x         |
| 1   | R125      | 01-0303 | MELF RES 22R 1% 0.1W XAS0-0220             | x     | AD10023        | x         |
| 1   | R131      | 01-0303 | MELF RES 22R 1% 0.1W XAS0-0220             | x     | AD10023        | x         |
| 1   | R1        | 01-0304 | MELF RES 6K8 1% 0.1W XAS0-0682             | x     | AD10025        | x         |
| 1   | R2        | 01-0304 | MELF RES 6K8 1% 0.1W XAS0-0682             | x     | AD10025        | x         |
| 1   | R3        | 01-0304 | MELF RES 6K8 1% 0.1W XAS0-0682             | x     | AD10025        | x         |
| 1   | R36       | 01-0304 | MELF RES 6K8 1% 0.1W XAS0-0682             | x     | AD10025        | x         |
| 1   | R37       | 01-0304 | MELF RES 6K8 1% 0.1W XAS0-0682             | x     | AD10025        | x         |
| 1   | R38       | 01-0304 | MELF RES 6K8 1% 0.1W XAS0-0682             | x     | AD10025        | x         |
| 1   | R71       | 01-0304 | MELF RES 6K8 1% 0.1W XAS0-0682             | x     | AD10025        | x         |
| 1   | R72       | 01-0304 | MELF RES 6K8 1% 0.1W XAS0-0682             | x     | AD10025        | x         |
| 1   | R73       | 01-0304 | MELF RES 6K8 1% 0.1W XAS0-0682             | x     | AD10025        | x         |
| 1   | R106      | 01-0304 | MELF RES 6K8 1% 0.1W XAS0-0682             | x     | AD10025        | x         |
| 1   | R107      | 01-0304 | MELF RES 6K8 1% 0.1W XAS0-0682             | x     | AD10025        | x         |
| 1   | R108      | 01-0304 | MELF RES 6K8 1% 0.1W XAS0-0682             | x     | AD10025        | x         |
| 1   | R144      | 01-0304 | MELF RES 6K8 1% 0.1W XAS0-0682             | x     | AD10025        | x         |
| 1   | R35       | 52-3235 | SM0805 RES 100R 1% 0.1W T200               | x     | AS0101R-0805F  | 01-0010   |
| 1   | R70       | 52-3235 | SM0805 RES 100R 1% 0.1W T200               | x     | AS0101R-0805F  | 01-0010   |
| 1   | R105      | 52-3235 | SM0805 RES 100R 1% 0.1W T200               | x     | AS0101R-0805F  | 01-0010   |
| 1   | R140      | 52-3235 | SM0805 RES 100R 1% 0.1W T200               | x     | AS0101R-0805F  | 01-0010   |
| 1   | R7        | 52-4500 | SM0805 RES 10K 1% 0.1W T200                | x     | AS0103R-0805F  | 01-0012   |
| 1   | R42       | 52-4500 | SM0805 RES 10K 1% 0.1W T200                | x     | AS0103R-0805F  | 01-0012   |
| 1   | R77       | 52-4500 | SM0805 RES 10K 1% 0.1W T200                | x     | AS0103R-0805F  | 01-0012   |
| 1   | R112      | 52-4500 | SM0805 RES 10K 1% 0.1W T200                | x     | AS0103R-0805F  | 01-0012   |
| 1   | R13       | 01-0013 | SM0805 RES 100K 1% 0.1W T200               | x     | AS0104R-0805F  | x         |
| 1   | R48       | 01-0013 | SM0805 RES 100K 1% 0.1W T200               | x     | AS0104R-0805F  | x         |
| 1   | R83       | 01-0013 | SM0805 RES 100K 1% 0.1W T200               | x     | AS0104R-0805F  | x         |
| 1   | R118      | 01-0013 | SM0805 RES 100K 1% 0.1W T200               | x     | AS0104R-0805F  | x         |
| 1   | R150      | 01-0013 | SM0805 RES 100K 1% 0.1W T200               | x     | AS0104R-0805F  | x         |
| 1   | R151      | 01-0013 | SM0805 RES 100K 1% 0.1W T200               | x     | AS0104R-0805F  | x         |
| 1   | R152      | 01-0013 | SM0805 RES 100K 1% 0.1W T200               | x     | AS0104R-0805F  | x         |
| 1   | R153      | 01-0013 | SM0805 RES 100K 1% 0.1W T200               | x     | AS0104R-0805F  | x         |
| 1   | R28       | 01-0305 | SM0805 RES 130R 1% 0.1W T200               | x     | AS0131R-0805F  | x         |
| 1   | R63       | 01-0305 | SM0805 RES 130R 1% 0.1W T200               | x     | AS0131R-0805F  | x         |
| 1   | R98       | 01-0305 | SM0805 RES 130R 1% 0.1W T200               | x     | AS0131R-0805F  | x         |
| 1   | R133      | 01-0305 | SM0805 RES 130R 1% 0.1W T200               | x     | AS0131R-0805F  | x         |
| 1   | R66       | 52-3233 | SM0805 RES 15K 1% 0.1W T200                | x     | AS0153R-0805F  | 01-0208   |
| 1   | R101      | 52-3233 | SM0805 RES 15K 1% 0.1W T200                | x     | AS0153R-0805F  | 01-0208   |
| 1   | R136      | 52-3233 | SM0805 RES 15K 1% 0.1W T200                | x     | AS0153R-0805F  | 01-0208   |
| 1   | R156      | 52-3233 | SM0805 RES 15K 1% 0.1W T200                | x     | AS0153R-0805F  | 01-0208   |
| 1   | R142      | 52-4544 | SM0805 RES 220R 1% 0.1W T200               | x     | AS0221R-0805F  | 01-0018   |
| 1   | R5        | 01-0019 | SM0805 RES 22K 1% 0.1W T200                | x     | AS0223R-0805F  | x         |
| 1   | R6        | 01-0019 | SM0805 RES 22K 1% 0.1W T200                | x     | AS0223R-0805F  | x         |
| 1   | R19       | 01-0019 | SM0805 RES 22K 1% 0.1W T200                | x     | AS0223R-0805F  | x         |
| 1   | R25       | 01-0019 | SM0805 RES 22K 1% 0.1W T200                | x     | AS0223R-0805F  | x         |
| 1   | R40       | 01-0019 | SM0805 RES 22K 1% 0.1W T200                | x     | AS0223R-0805F  | x         |
| 1   | R41       | 01-0019 | SM0805 RES 22K 1% 0.1W T200                | x     | AS0223R-0805F  | x         |
| 1   | R54       | 01-0019 | SM0805 RES 22K 1% 0.1W T200                | x     | AS0223R-0805F  | x         |
| 1   | R60       | 01-0019 | SM0805 RES 22K 1% 0.1W T200                | x     | AS0223R-0805F  | x         |
| 1   | R75       | 01-0019 | SM0805 RES 22K 1% 0.1W T200                | x     | AS0223R-0805F  | x         |
| 1   | R76       | 01-0019 | SM0805 RES 22K 1% 0.1W T200                | x     | AS0223R-0805F  | x         |
| 1   | R89       | 01-0019 | SM0805 RES 22K 1% 0.1W T200                | x     | AS0223R-0805F  | x         |



|   |       |         |                              |   |               |         |
|---|-------|---------|------------------------------|---|---------------|---------|
| 1 | R78   | 52-4529 | SM0805 RES 4K7 1% 0.1W T200  | x | AS0472R-0805F | 01-0063 |
| 1 | R81   | 52-4529 | SM0805 RES 4K7 1% 0.1W T200  | x | AS0472R-0805F | 01-0063 |
| 1 | R82   | 52-4529 | SM0805 RES 4K7 1% 0.1W T200  | x | AS0472R-0805F | 01-0063 |
| 1 | R113  | 52-4529 | SM0805 RES 4K7 1% 0.1W T200  | x | AS0472R-0805F | 01-0063 |
| 1 | R116  | 52-4529 | SM0805 RES 4K7 1% 0.1W T200  | x | AS0472R-0805F | 01-0063 |
| 1 | R117  | 52-4529 | SM0805 RES 4K7 1% 0.1W T200  | x | AS0472R-0805F | 01-0063 |
| 1 | R27   | 01-0147 | SM0805 RES 51R 1% 0.1W T200  | x | AS0510R-0805F | x       |
| 1 | R62   | 01-0147 | SM0805 RES 51R 1% 0.1W T200  | x | AS0510R-0805F | x       |
| 1 | R97   | 01-0147 | SM0805 RES 51R 1% 0.1W T200  | x | AS0510R-0805F | x       |
| 1 | R132  | 01-0147 | SM0805 RES 51R 1% 0.1W T200  | x | AS0510R-0805F | x       |
| 1 | R34   | 52-3206 | SM0805 RES 5K1 1% 0.1W T200  | x | AS0512R-0805F | 01-0307 |
| 1 | R69   | 52-3206 | SM0805 RES 5K1 1% 0.1W T200  | x | AS0512R-0805F | 01-0307 |
| 1 | R104  | 52-3206 | SM0805 RES 5K1 1% 0.1W T200  | x | AS0512R-0805F | 01-0307 |
| 1 | R139  | 52-3206 | SM0805 RES 5K1 1% 0.1W T200  | x | AS0512R-0805F | 01-0307 |
| 1 | R30   | 52-4555 | SM0805 RES 680R 1% 0.1W T200 | x | AS0681R-0805F | 01-0028 |
| 1 | R65   | 52-4555 | SM0805 RES 680R 1% 0.1W T200 | x | AS0681R-0805F | 01-0028 |
| 1 | R100  | 52-4555 | SM0805 RES 680R 1% 0.1W T200 | x | AS0681R-0805F | 01-0028 |
| 1 | R135  | 52-4555 | SM0805 RES 680R 1% 0.1W T200 | x | AS0681R-0805F | 01-0028 |
| 1 | R9    | 01-0031 | SM0805 RES 8K2 1% 0.1W T200  | x | AS0822R-0805F | x       |
| 1 | R10   | 01-0031 | SM0805 RES 8K2 1% 0.1W T200  | x | AS0822R-0805F | x       |
| 1 | R44   | 01-0031 | SM0805 RES 8K2 1% 0.1W T200  | x | AS0822R-0805F | x       |
| 1 | R45   | 01-0031 | SM0805 RES 8K2 1% 0.1W T200  | x | AS0822R-0805F | x       |
| 1 | R79   | 01-0031 | SM0805 RES 8K2 1% 0.1W T200  | x | AS0822R-0805F | x       |
| 1 | R80   | 01-0031 | SM0805 RES 8K2 1% 0.1W T200  | x | AS0822R-0805F | x       |
| 1 | R114  | 01-0031 | SM0805 RES 8K2 1% 0.1W T200  | x | AS0822R-0805F | x       |
| 1 | R115  | 01-0031 | SM0805 RES 8K2 1% 0.1W T200  | x | AS0822R-0805F | x       |
| 1 | R143  | 01-0031 | SM0805 RES 8K2 1% 0.1W T200  | x | AS0822R-0805F | x       |
| 1 | R145  | 01-0031 | SM0805 RES 8K2 1% 0.1W T200  | x | AS0822R-0805F | x       |
| 1 | R148  | 01-0031 | SM0805 RES 8K2 1% 0.1W T200  | x | AS0822R-0805F | x       |
| 1 | R149  | 01-0031 | SM0805 RES 8K2 1% 0.1W T200  | x | AS0822R-0805F | x       |
| 1 | R154  | 01-0031 | SM0805 RES 8K2 1% 0.1W T200  | x | AS0822R-0805F | x       |
| 1 | R4    | 01-0032 | SM0805 RES 91R 1% 0.1W T200  | x | AS0910R-0805F | x       |
| 1 | R39   | 01-0032 | SM0805 RES 91R 1% 0.1W T200  | x | AS0910R-0805F | x       |
| 1 | R74   | 01-0032 | SM0805 RES 91R 1% 0.1W T200  | x | AS0910R-0805F | x       |
| 1 | R109  | 01-0032 | SM0805 RES 91R 1% 0.1W T200  | x | AS0910R-0805F | x       |
| 1 | LK1   | 52-3236 | SM1206-RES 0R 5% 1/8W T200   | x | AS1000R-1206J | 01-0213 |
| 1 | R14   | 01-0308 | MMELF RES 12R 1% 0.2W 50B    | x | AS2120R-0102F | x       |
| 1 | R33   | 01-0308 | MMELF RES 12R 1% 0.2W 50B    | x | AS2120R-0102F | x       |
| 1 | R49   | 01-0308 | MMELF RES 12R 1% 0.2W 50B    | x | AS2120R-0102F | x       |
| 1 | R84   | 01-0308 | MMELF RES 12R 1% 0.2W 50B    | x | AS2120R-0102F | x       |
| 1 | R119  | 01-0308 | MMELF RES 12R 1% 0.2W 50B    | x | AS2120R-0102F | x       |
| 1 | R159  | 01-0308 | MMELF RES 12R 1% 0.2W 50B    | x | AS2120R-0102F | x       |
| 1 | R162  | 01-0308 | MMELF RES 12R 1% 0.2W 50B    | x | AS2120R-0102F | x       |
| 1 | R165  | 01-0308 | MMELF RES 12R 1% 0.2W 50B    | x | AS2120R-0102F | x       |
| 1 | R31   | 01-0309 | MMELF RES 33R 1% 0.2W 50B    | x | AS2330R-0102F | x       |
| 1 | R160  | 01-0309 | MMELF RES 33R 1% 0.2W 50B    | x | AS2330R-0102F | x       |
| 1 | R163  | 01-0309 | MMELF RES 33R 1% 0.2W 50B    | x | AS2330R-0102F | x       |
| 1 | R166  | 01-0309 | MMELF RES 33R 1% 0.2W 50B    | x | AS2330R-0102F | x       |
| 1 | TR25  | 01-0310 | BF422 NPN TRANS              | x | BD0364        | x       |
| 1 | FET1  | 01-0311 | RFD14N05 MOSFET N-CHANNEL    | x | BD0416        | x       |
| 1 | FET2  | 01-0311 | RFD14N05 MOSFET N-CHANNEL    | x | BD0416        | x       |
| 1 | FET3  | 01-0311 | RFD14N05 MOSFET N-CHANNEL    | x | BD0416        | x       |
| 1 | FET4  | 01-0311 | RFD14N05 MOSFET N-CHANNEL    | x | BD0416        | x       |
| 1 | FET5  | 01-0311 | RFD14N05 MOSFET N-CHANNEL    | x | BD0416        | x       |
| 1 | FET6  | 01-0311 | RFD14N05 MOSFET N-CHANNEL    | x | BD0416        | x       |
| 1 | FET7  | 01-0311 | RFD14N05 MOSFET N-CHANNEL    | x | BD0416        | x       |
| 1 | FET8  | 01-0311 | RFD14N05 MOSFET N-CHANNEL    | x | BD0416        | x       |
| 1 | FET9  | 01-0311 | RFD14N05 MOSFET N-CHANNEL    | x | BD0416        | x       |
| 1 | FET10 | 01-0311 | RFD14N05 MOSFET N-CHANNEL    | x | BD0416        | x       |
| 1 | FET11 | 01-0311 | RFD14N05 MOSFET N-CHANNEL    | x | BD0416        | x       |
| 1 | FET12 | 01-0311 | RFD14N05 MOSFET N-CHANNEL    | x | BD0416        | x       |
| 1 | FET13 | 01-0311 | RFD14N05 MOSFET N-CHANNEL    | x | BD0416        | x       |



|   |       |         |                                  |   |               |         |
|---|-------|---------|----------------------------------|---|---------------|---------|
| 1 | FET14 | 01-0311 | RFD14N05 MOSFET N-CHANNEL        | x | BD0416        | x       |
| 1 | FET15 | 01-0311 | RFD14N05 MOSFET N-CHANNEL        | x | BD0416        | x       |
| 1 | FET16 | 01-0311 | RFD14N05 MOSFET N-CHANNEL        | x | BD0416        | x       |
| 1 | TR1   | 70-0181 | XSTR BC856 PNP SOT-23            | x | BD10027       | 01-0033 |
| 1 | TR3   | 70-0181 | XSTR BC856 PNP SOT-23            | x | BD10027       | 01-0033 |
| 1 | TR5   | 70-0181 | XSTR BC856 PNP SOT-23            | x | BD10027       | 01-0033 |
| 1 | TR7   | 70-0181 | XSTR BC856 PNP SOT-23            | x | BD10027       | 01-0033 |
| 1 | TR9   | 70-0181 | XSTR BC856 PNP SOT-23            | x | BD10027       | 01-0033 |
| 1 | TR11  | 70-0181 | XSTR BC856 PNP SOT-23            | x | BD10027       | 01-0033 |
| 1 | TR13  | 70-0181 | XSTR BC856 PNP SOT-23            | x | BD10027       | 01-0033 |
| 1 | TR15  | 70-0181 | XSTR BC856 PNP SOT-23            | x | BD10027       | 01-0033 |
| 1 | TR17  | 70-0181 | XSTR BC856 PNP SOT-23            | x | BD10027       | 01-0033 |
| 1 | TR19  | 70-0181 | XSTR BC856 PNP SOT-23            | x | BD10027       | 01-0033 |
| 1 | TR21  | 70-0181 | XSTR BC856 PNP SOT-23            | x | BD10027       | 01-0033 |
| 1 | TR23  | 70-0181 | XSTR BC856 PNP SOT-23            | x | BD10027       | 01-0033 |
| 1 | D25   | 01-0114 | TL431 SHUNT REGULATOR            | x | BE0503        | x       |
| 1 | D1    | 70-0205 | ZENER 300MW 10V SM BZX84C10      | x | BS0019R-SOT23 | 01-0034 |
| 1 | D2    | 70-0205 | ZENER 300MW 10V SM BZX84C10      | x | BS0019R-SOT23 | 01-0034 |
| 1 | D3    | 70-0205 | ZENER 300MW 10V SM BZX84C10      | x | BS0019R-SOT23 | 01-0034 |
| 1 | D4    | 70-0205 | ZENER 300MW 10V SM BZX84C10      | x | BS0019R-SOT23 | 01-0034 |
| 1 | D5    | 70-0205 | ZENER 300MW 10V SM BZX84C10      | x | BS0019R-SOT23 | 01-0034 |
| 1 | D6    | 70-0205 | ZENER 300MW 10V SM BZX84C10      | x | BS0019R-SOT23 | 01-0034 |
| 1 | D7    | 70-0205 | ZENER 300MW 10V SM BZX84C10      | x | BS0019R-SOT23 | 01-0034 |
| 1 | D8    | 70-0205 | ZENER 300MW 10V SM BZX84C10      | x | BS0019R-SOT23 | 01-0034 |
| 1 | D9    | 70-0205 | ZENER 300MW 10V SM BZX84C10      | x | BS0019R-SOT23 | 01-0034 |
| 1 | D10   | 70-0205 | ZENER 300MW 10V SM BZX84C10      | x | BS0019R-SOT23 | 01-0034 |
| 1 | D11   | 70-0205 | ZENER 300MW 10V SM BZX84C10      | x | BS0019R-SOT23 | 01-0034 |
| 1 | D12   | 70-0205 | ZENER 300MW 10V SM BZX84C10      | x | BS0019R-SOT23 | 01-0034 |
| 1 | D13   | 70-0205 | ZENER 300MW 10V SM BZX84C10      | x | BS0019R-SOT23 | 01-0034 |
| 1 | D14   | 70-0205 | ZENER 300MW 10V SM BZX84C10      | x | BS0019R-SOT23 | 01-0034 |
| 1 | D15   | 70-0205 | ZENER 300MW 10V SM BZX84C10      | x | BS0019R-SOT23 | 01-0034 |
| 1 | D16   | 70-0205 | ZENER 300MW 10V SM BZX84C10      | x | BS0019R-SOT23 | 01-0034 |
| 1 | D17   | 70-0205 | ZENER 300MW 10V SM BZX84C10      | x | BS0019R-SOT23 | 01-0034 |
| 1 | D18   | 70-0205 | ZENER 300MW 10V SM BZX84C10      | x | BS0019R-SOT23 | 01-0034 |
| 1 | D19   | 70-0205 | ZENER 300MW 10V SM BZX84C10      | x | BS0019R-SOT23 | 01-0034 |
| 1 | D20   | 70-0205 | ZENER 300MW 10V SM BZX84C10      | x | BS0019R-SOT23 | 01-0034 |
| 1 | D21   | 70-0205 | ZENER 300MW 10V SM BZX84C10      | x | BS0019R-SOT23 | 01-0034 |
| 1 | D22   | 70-0205 | ZENER 300MW 10V SM BZX84C10      | x | BS0019R-SOT23 | 01-0034 |
| 1 | D23   | 70-0205 | ZENER 300MW 10V SM BZX84C10      | x | BS0019R-SOT23 | 01-0034 |
| 1 | D24   | 70-0205 | ZENER 300MW 10V SM BZX84C10      | x | BS0019R-SOT23 | 01-0034 |
| 1 | TR2   | 70-0180 | XSTR BC846 NPN SOT-23            | x | BS0506R-SOT23 | 01-0035 |
| 1 | TR4   | 70-0180 | XSTR BC846 NPN SOT-23            | x | BS0506R-SOT23 | 01-0035 |
| 1 | TR6   | 70-0180 | XSTR BC846 NPN SOT-23            | x | BS0506R-SOT23 | 01-0035 |
| 1 | TR8   | 70-0180 | XSTR BC846 NPN SOT-23            | x | BS0506R-SOT23 | 01-0035 |
| 1 | TR10  | 70-0180 | XSTR BC846 NPN SOT-23            | x | BS0506R-SOT23 | 01-0035 |
| 1 | TR12  | 70-0180 | XSTR BC846 NPN SOT-23            | x | BS0506R-SOT23 | 01-0035 |
| 1 | TR14  | 70-0180 | XSTR BC846 NPN SOT-23            | x | BS0506R-SOT23 | 01-0035 |
| 1 | TR16  | 70-0180 | XSTR BC846 NPN SOT-23            | x | BS0506R-SOT23 | 01-0035 |
| 1 | TR18  | 70-0180 | XSTR BC846 NPN SOT-23            | x | BS0506R-SOT23 | 01-0035 |
| 1 | TR20  | 70-0180 | XSTR BC846 NPN SOT-23            | x | BS0506R-SOT23 | 01-0035 |
| 1 | TR22  | 70-0180 | XSTR BC846 NPN SOT-23            | x | BS0506R-SOT23 | 01-0035 |
| 1 | TR24  | 70-0180 | XSTR BC846 NPN SOT-23            | x | BS0506R-SOT23 | 01-0035 |
| 1 | TR26  | 70-0180 | XSTR BC846 NPN SOT-23            | x | BS0506R-SOT23 | 01-0035 |
| 1 | IC1   | 72-0133 | IC DG411 QUAD CMOS ANALOG SWITCH | x | BS10043       | 01-0037 |
| 1 | IC5   | 72-0133 | IC DG411 QUAD CMOS ANALOG SWITCH | x | BS10043       | 01-0037 |
| 1 | IC6   | 72-0133 | IC DG411 QUAD CMOS ANALOG SWITCH | x | BS10043       | 01-0037 |
| 1 | IC10  | 72-0133 | IC DG411 QUAD CMOS ANALOG SWITCH | x | BS10043       | 01-0037 |
| 1 | IC12  | 72-0133 | IC DG411 QUAD CMOS ANALOG SWITCH | x | BS10043       | 01-0037 |
| 1 | IC16  | 72-0133 | IC DG411 QUAD CMOS ANALOG SWITCH | x | BS10043       | 01-0037 |
| 1 | IC18  | 72-0133 | IC DG411 QUAD CMOS ANALOG SWITCH | x | BS10043       | 01-0037 |
| 1 | IC22  | 72-0133 | IC DG411 QUAD CMOS ANALOG SWITCH | x | BS10043       | 01-0037 |
| 1 | IC11  | 72-0271 | INA163 INSTRUMENT AMP            | x | BS10044       | 01-0038 |

|   |      |         |                                     |   |               |         |
|---|------|---------|-------------------------------------|---|---------------|---------|
| 1 | IC17 | 72-0271 | INA163 INSTRUMENT AMP               | x | BS10044       | 01-0038 |
| 1 | IC23 | 72-0271 | INA163 INSTRUMENT AMP               | x | BS10044       | 01-0038 |
| 1 | IC25 | 72-0271 | INA163 INSTRUMENT AMP               | x | BS10044       | 01-0038 |
| 1 | IC3  | 72-0241 | 74HC595 SM 8BIT+LATCH               | x | BS2108R-SO16  | 01-0241 |
| 1 | IC8  | 72-0241 | 74HC595 SM 8BIT+LATCH               | x | BS2108R-SO16  | 01-0241 |
| 1 | IC14 | 72-0241 | 74HC595 SM 8BIT+LATCH               | x | BS2108R-SO16  | 01-0241 |
| 1 | IC20 | 72-0241 | 74HC595 SM 8BIT+LATCH               | x | BS2108R-SO16  | 01-0241 |
| 1 | IC24 | 72-0241 | 74HC595 SM 8BIT+LATCH               | x | BS2108R-SO16  | 01-0241 |
| 1 | IC2  | 72-0263 | OP275GS SM DUAL OPAMP               | x | BS7010R-SOIC8 | 01-0045 |
| 1 | IC7  | 72-0263 | OP275GS SM DUAL OPAMP               | x | BS7010R-SOIC8 | 01-0045 |
| 1 | IC13 | 72-0263 | OP275GS SM DUAL OPAMP               | x | BS7010R-SOIC8 | 01-0045 |
| 1 | IC19 | 72-0263 | OP275GS SM DUAL OPAMP               | x | BS7010R-SOIC8 | 01-0045 |
| 1 | C4   | 01-0085 | CAP ELEC VERT 47UF 25V TPD SKP 0.2" | x | CE0401        | x       |
| 1 | C11  | 01-0085 | CAP ELEC VERT 47UF 25V TPD SKP 0.2" | x | CE0401        | x       |
| 1 | C18  | 01-0085 | CAP ELEC VERT 47UF 25V TPD SKP 0.2" | x | CE0401        | x       |
| 1 | C25  | 01-0085 | CAP ELEC VERT 47UF 25V TPD SKP 0.2" | x | CE0401        | x       |
| 1 | C3   | 01-0004 | CAP ELEC VERT 10UF 63V SKP 5X11MM   | x | CE0462        | x       |
| 1 | C10  | 01-0004 | CAP ELEC VERT 10UF 63V SKP 5X11MM   | x | CE0462        | x       |
| 1 | C17  | 01-0004 | CAP ELEC VERT 10UF 63V SKP 5X11MM   | x | CE0462        | x       |
| 1 | C24  | 01-0004 | CAP ELEC VERT 10UF 63V SKP 5X11MM   | x | CE0462        | x       |
| 1 | C44  | 01-0004 | CAP ELEC VERT 10UF 63V SKP 5X11MM   | x | CE0462        | x       |
| 1 | C46  | 01-0004 | CAP ELEC VERT 10UF 63V SKP 5X11MM   | x | CE0462        | x       |
| 1 | C49  | 01-0004 | CAP ELEC VERT 10UF 63V SKP 5X11MM   | x | CE0462        | x       |
| 1 | C1   | 01-0005 | CAP ELEC RAD 33UF 63V NP            | x | CE10047       | x       |
| 1 | C2   | 01-0005 | CAP ELEC RAD 33UF 63V NP            | x | CE10047       | x       |
| 1 | C8   | 01-0005 | CAP ELEC RAD 33UF 63V NP            | x | CE10047       | x       |
| 1 | C9   | 01-0005 | CAP ELEC RAD 33UF 63V NP            | x | CE10047       | x       |
| 1 | C15  | 01-0005 | CAP ELEC RAD 33UF 63V NP            | x | CE10047       | x       |
| 1 | C16  | 01-0005 | CAP ELEC RAD 33UF 63V NP            | x | CE10047       | x       |
| 1 | C22  | 01-0005 | CAP ELEC RAD 33UF 63V NP            | x | CE10047       | x       |
| 1 | C23  | 01-0005 | CAP ELEC RAD 33UF 63V NP            | x | CE10047       | x       |
| 1 | C5   | 62-0090 | CAP CER 100PF 5% 50V NP0            | x | CS1101R-1206J | 01-0046 |
| 1 | C12  | 62-0090 | CAP CER 100PF 5% 50V NP0            | x | CS1101R-1206J | 01-0046 |
| 1 | C19  | 62-0090 | CAP CER 100PF 5% 50V NP0            | x | CS1101R-1206J | 01-0046 |
| 1 | C26  | 62-0090 | CAP CER 100PF 5% 50V NP0            | x | CS1101R-1206J | 01-0046 |
| 1 | C48  | 62-0090 | CAP CER 100PF 5% 50V NP0            | x | CS1101R-1206J | 01-0046 |
| 1 | C6   | 62-0088 | CAP CER 330PF 5% 50V NPO            | x | CS1331R-1206J | 01-0074 |
| 1 | C7   | 62-0088 | CAP CER 330PF 5% 50V NPO            | x | CS1331R-1206J | 01-0074 |
| 1 | C13  | 62-0088 | CAP CER 330PF 5% 50V NPO            | x | CS1331R-1206J | 01-0074 |
| 1 | C14  | 62-0088 | CAP CER 330PF 5% 50V NPO            | x | CS1331R-1206J | 01-0074 |
| 1 | C20  | 62-0088 | CAP CER 330PF 5% 50V NPO            | x | CS1331R-1206J | 01-0074 |
| 1 | C21  | 62-0088 | CAP CER 330PF 5% 50V NPO            | x | CS1331R-1206J | 01-0074 |
| 1 | C27  | 62-0088 | CAP CER 330PF 5% 50V NPO            | x | CS1331R-1206J | 01-0074 |
| 1 | C28  | 62-0088 | CAP CER 330PF 5% 50V NPO            | x | CS1331R-1206J | 01-0074 |
| 1 | C29  | 01-0254 | CAP CER 100NF 10% 50V X7R           | x | CS7104R-1206K | x       |
| 1 | C30  | 01-0254 | CAP CER 100NF 10% 50V X7R           | x | CS7104R-1206K | x       |
| 1 | C31  | 01-0254 | CAP CER 100NF 10% 50V X7R           | x | CS7104R-1206K | x       |
| 1 | C32  | 01-0254 | CAP CER 100NF 10% 50V X7R           | x | CS7104R-1206K | x       |
| 1 | C33  | 01-0254 | CAP CER 100NF 10% 50V X7R           | x | CS7104R-1206K | x       |
| 1 | C34  | 01-0254 | CAP CER 100NF 10% 50V X7R           | x | CS7104R-1206K | x       |
| 1 | C36  | 01-0254 | CAP CER 100NF 10% 50V X7R           | x | CS7104R-1206K | x       |
| 1 | C37  | 01-0254 | CAP CER 100NF 10% 50V X7R           | x | CS7104R-1206K | x       |
| 1 | C39  | 01-0254 | CAP CER 100NF 10% 50V X7R           | x | CS7104R-1206K | x       |
| 1 | C40  | 01-0254 | CAP CER 100NF 10% 50V X7R           | x | CS7104R-1206K | x       |
| 1 | C41  | 01-0254 | CAP CER 100NF 10% 50V X7R           | x | CS7104R-1206K | x       |
| 1 | C42  | 01-0254 | CAP CER 100NF 10% 50V X7R           | x | CS7104R-1206K | x       |
| 1 | C45  | 01-0254 | CAP CER 100NF 10% 50V X7R           | x | CS7104R-1206K | x       |
| 1 | C47  | 01-0254 | CAP CER 100NF 10% 50V X7R           | x | CS7104R-1206K | x       |
| 1 | CN1  | 32-0268 | CON PLUG EURO 1X6 0.200 R/A ML      | x | FF10060       | 01-0053 |
| 1 | CN3  | 32-0268 | CON PLUG EURO 1X6 0.200 R/A ML      | x | FF10060       | 01-0053 |
| 1 | CN5  | 01-0302 | 34WY CONN. BOX GOLD XL04-0280       | x | FF10063       | x       |
| 1 | RF1  | 01-0007 | FILTER 100PF RFI TAPED              | x | ZZ2893R       | x       |

|   |      |         |                        |   |         |   |
|---|------|---------|------------------------|---|---------|---|
| 1 | RF2  | 01-0007 | FILTER 100PF RFI TAPED | x | ZZ2893R | x |
| 1 | RF3  | 01-0007 | FILTER 100PF RFI TAPED | x | ZZ2893R | x |
| 1 | RF4  | 01-0007 | FILTER 100PF RFI TAPED | x | ZZ2893R | x |
| 1 | RF5  | 01-0007 | FILTER 100PF RFI TAPED | x | ZZ2893R | x |
| 1 | RF6  | 01-0007 | FILTER 100PF RFI TAPED | x | ZZ2893R | x |
| 1 | RF7  | 01-0007 | FILTER 100PF RFI TAPED | x | ZZ2893R | x |
| 1 | RF8  | 01-0007 | FILTER 100PF RFI TAPED | x | ZZ2893R | x |
| 1 | RF11 | 01-0007 | FILTER 100PF RFI TAPED | x | ZZ2893R | x |