

SCHEMATIC NUMBER ISSUE

# 310S-332



UNIT 5, MERLIN CENTRE  
ACREWOOD WAY,  
ST. ALBANS  
HERTS. AL4 0JY  
ENGLAND  
Phone 0727 45242  
Fax 0727 45277

**BSS Audio Ltd.**

TITLE FDS-310 METERING AND LINE DRIVERS

FILENAME 310\310S-332

DRAWN PJW\NOJ

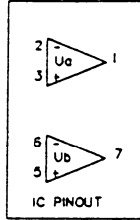
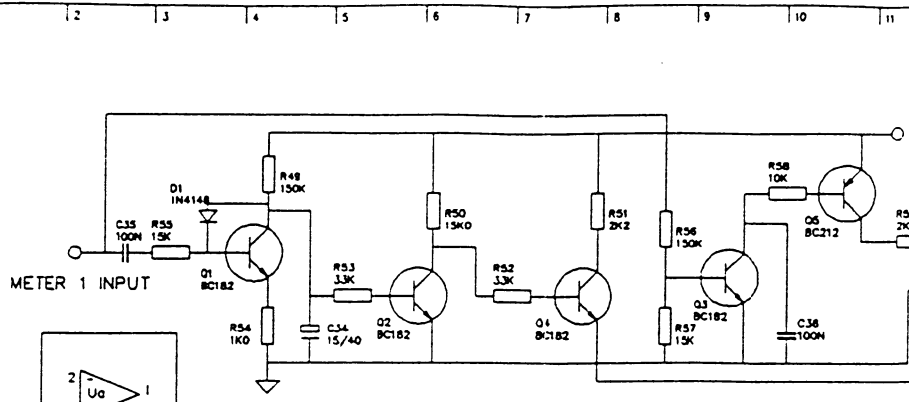
DATE 07/04/92

CHECKED -

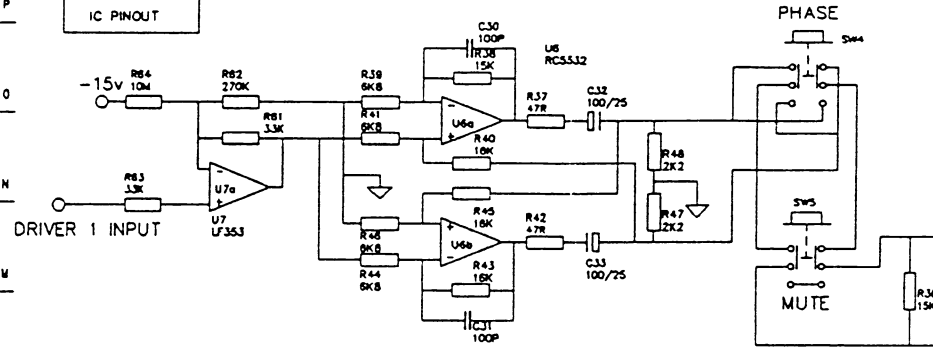
THIS IS PAGE 3 OF 3 PAGE(S)

ISSUE COMMENTS

07/04/92 DRAWING RAISED TO ISSUE 2 INLINE WITH 310S-232, NO MODIFICATIONS.



OUTPUT XLR TO PHONE.  
"A" LINKS PIN 3 TO TIP  
"B" LINKS PIN 2 TO TIP



THIS DRAWING IS THE COPYRIGHT OF BSS Audio Ltd. ALL REPRODUCTION AND COPYING, OTHER THAN THAT FOR LICENCED MANUFACTURERS OWN INTERNAL USE, OR DISCLOSURE OF PART OR WHOLE TO A THIRD PARTY WITHOUT PRIOR WRITTEN AUTHORISATION IS IN VIOLATION OF THE COPYRIGHT. © BSS Audio Ltd. 1991, 1992