

REVISIONS
C (13/06/07)

DRAWN
KR

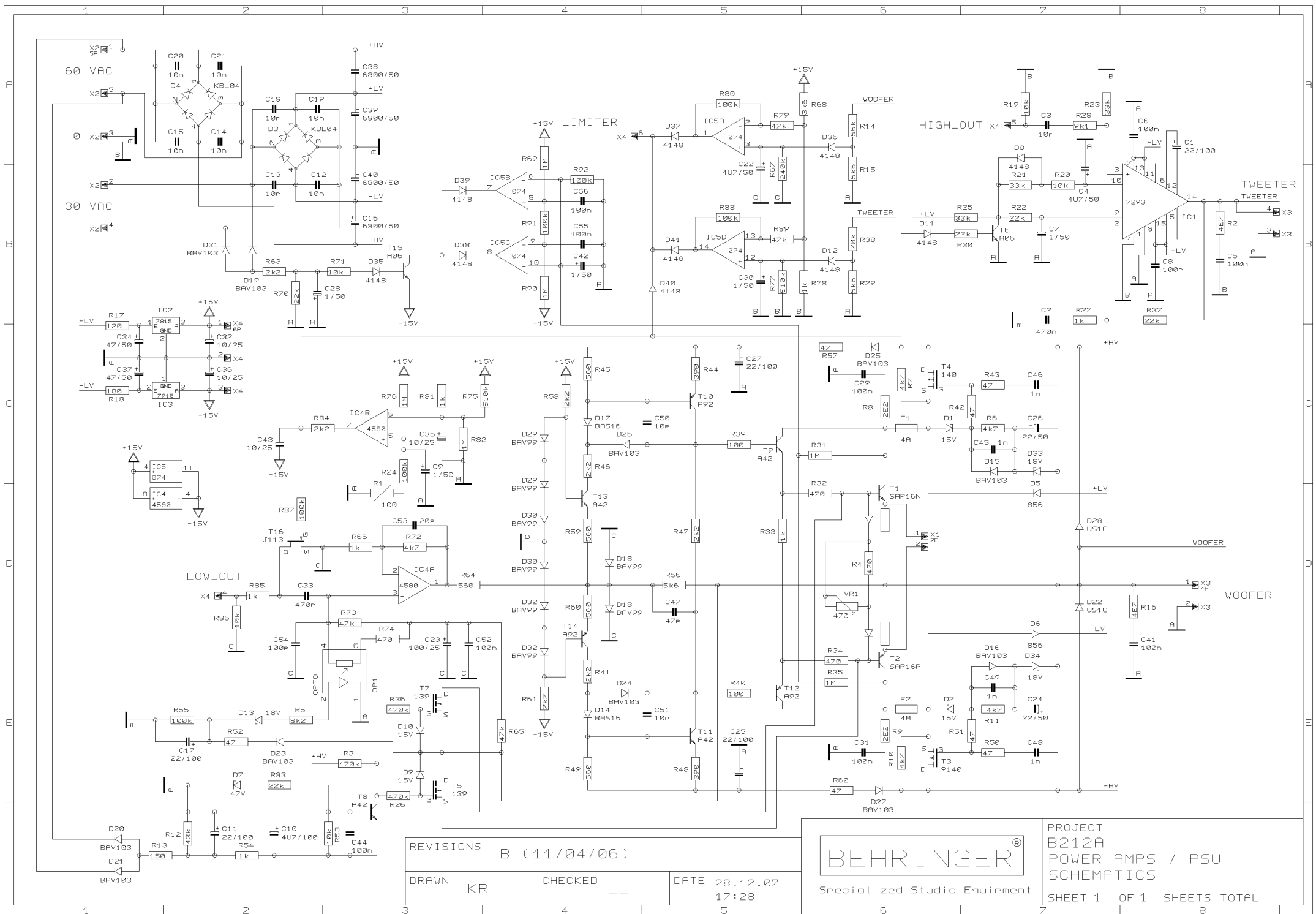
CHECKED

DATE 28.12. 7
17:27

BEHRINGER
Specialized Studio Equipment

PROJECT
B212A IN
EUROLIVE
INPUT/EQ/LIMITER

SHEET 1 OF 1 SHEETS TOTAL



REVISIONS B (11/04/06)

DRAWN KR

CHECKED --

DATE 28.12.07
17:28

BEHRINGER
Specialized Studio Equipment

PROJECT B212A
POWER AMPS / PSU
SCHEMATICS
SHEET 1 OF 1 SHEETS TOTAL