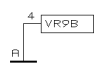
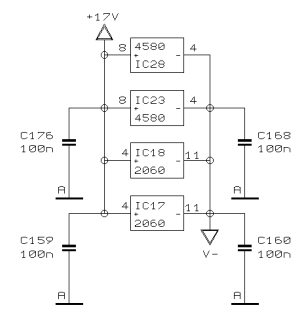
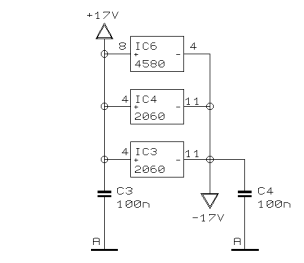
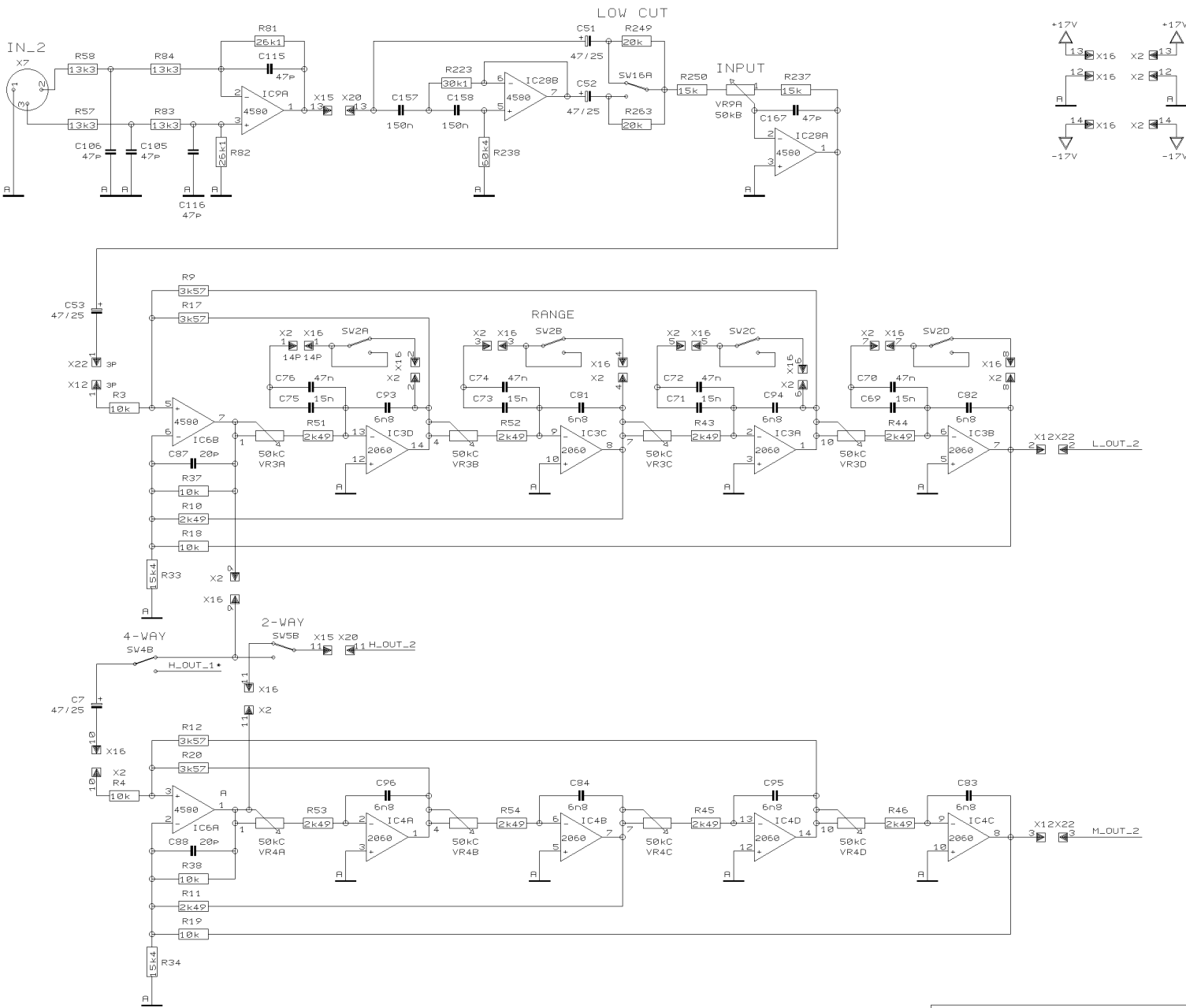


VR5E

REVISIONS		C (221100)	
DRAWN	BHK	CHECKED	DATE 15.02. 1 15:02



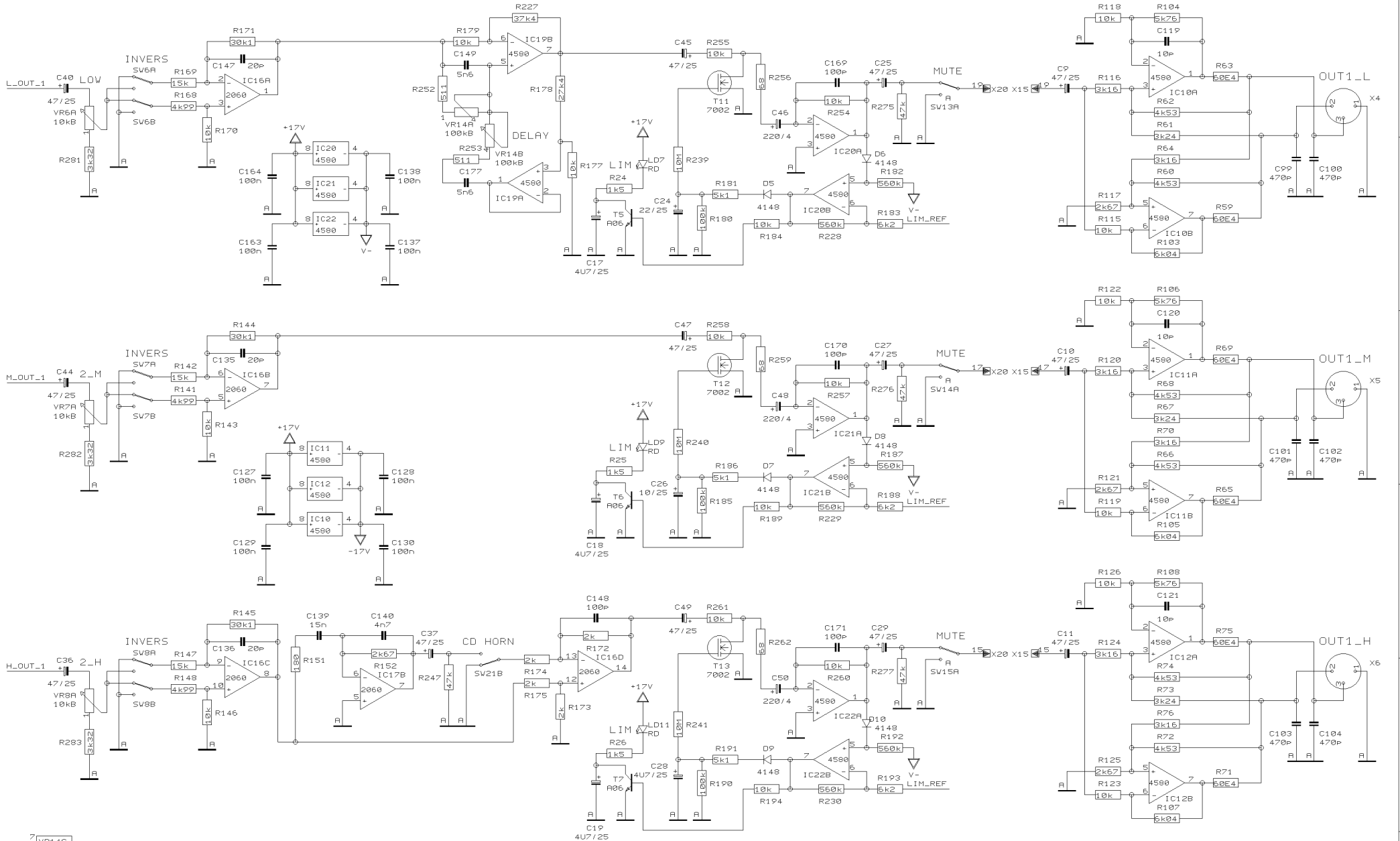
PROJECT
CX3400
INPUT/FILTER SECTION
CHANNEL_1
SHEET 1 OF 5 SHEETS TOTAL



REVISIONS	C		
DRAWN	BHK	CHECKED	DATE 15.02. 15:02



PROJECT
CX3400
INPUT/FILTER SECTION
CHANNEL_2
SHEET 2 OF 5 SHEETS TOTAL

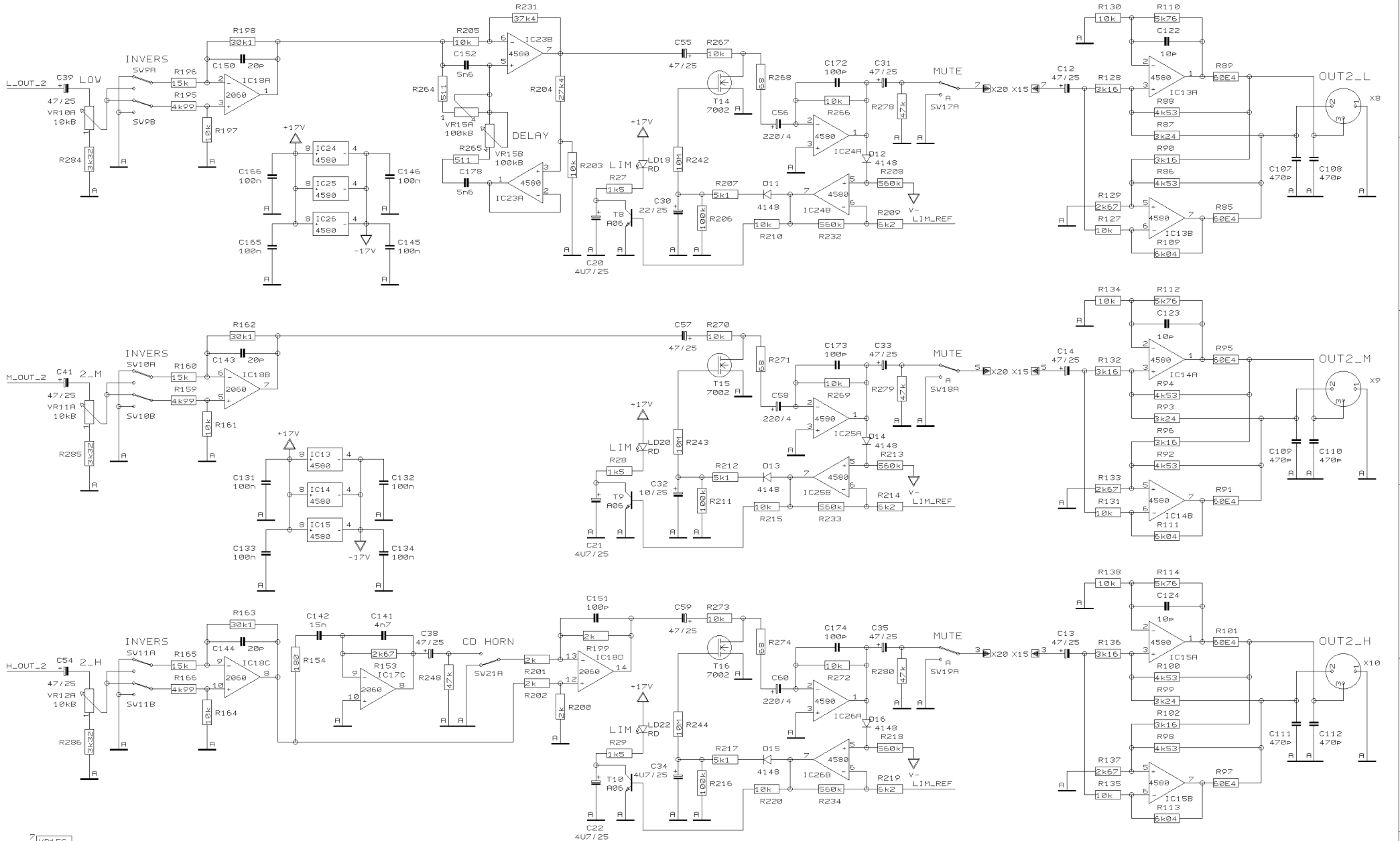


- 7 VR14C
- 4 VR6B
- 4 VR7B
- 4 VR8B

REVISIONS	C		
DRAWN	BHK	CHECKED	DATE 15.02. 1 15:02



PROJECT
CX3400
OUTPUT SECTION
CHANNEL_1
SHEET 3 OF 5 SHEETS TOTAL

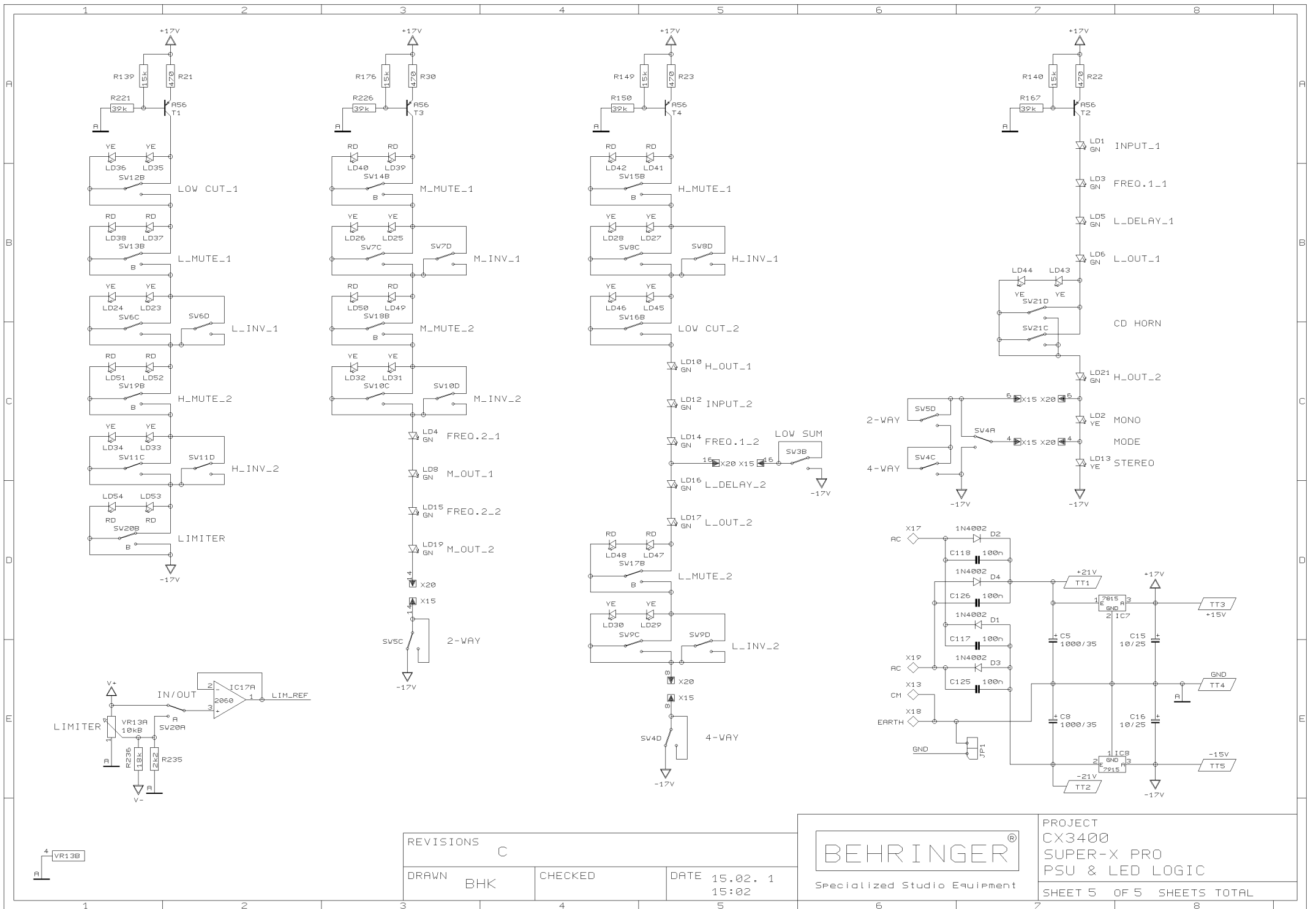


- 7 VR15C
- 4 VR10B
- 4 VR11B
- 4 VR12B

REVISIONS	C		
DRAWN	BHK	CHECKED	DATE 15.02. 1 15:02



PROJECT
CX3400
OUTPUT SECTION
CHANNEL_2
SHEET 4 OF 5 SHEETS TOTAL



REVISIONS
C

DRAWN
BHK

CHECKED

DATE 15.02. 1
15:02

BEHRINGER
Specialized Studio Equipment

PROJECT
CX3400
SUPER-X PRO
PSU & LED LOGIC
SHEET 5 OF 5 SHEETS TOTAL